



US00D792819S

(12) **United States Design Patent**  
**Baskaran et al.**

(10) **Patent No.:** **US D792,819 S**

(45) **Date of Patent:** **\*\* \*Jul. 25, 2017**

(54) **WINDSHIELD GUARD**

D683,290 S \* 5/2013 Sanchez ..... D12/191  
D740,189 S \* 10/2015 Lopez-Ross ..... D12/191  
D740,190 S \* 10/2015 Spencer ..... D12/191

(71) Applicant: **General Electric Company,**  
Schenectady, NY (US)

\* cited by examiner

(72) Inventors: **Karthikeyan Baskaran,** Bangalore  
(IN); **Vijayakumar Jayachandran,**  
Bangalore (IN)

*Primary Examiner* — Katrina A Betton

(74) *Attorney, Agent, or Firm* — Global Patent Operation;  
John A. Kramer

(73) Assignee: **General Electric Company,**  
Schenectady, NY (US)

(\* ) Notice: This patent is subject to a terminal dis-  
claimer.

(57) **CLAIM**

The ornamental design for a windshield guard, as shown and  
described.

(\*\*) Term: **14 Years**

(21) Appl. No.: **29/509,084**

(22) Filed: **Nov. 13, 2014**

**DESCRIPTION**

(51) **LOC (10) Cl.** ..... **12-08**

(52) **U.S. Cl.**  
USPC ..... **D12/182**

(58) **Field of Classification Search**  
USPC ..... D12/182, 183, 317  
CPC ..... B32B 3/00  
See application file for complete search history.

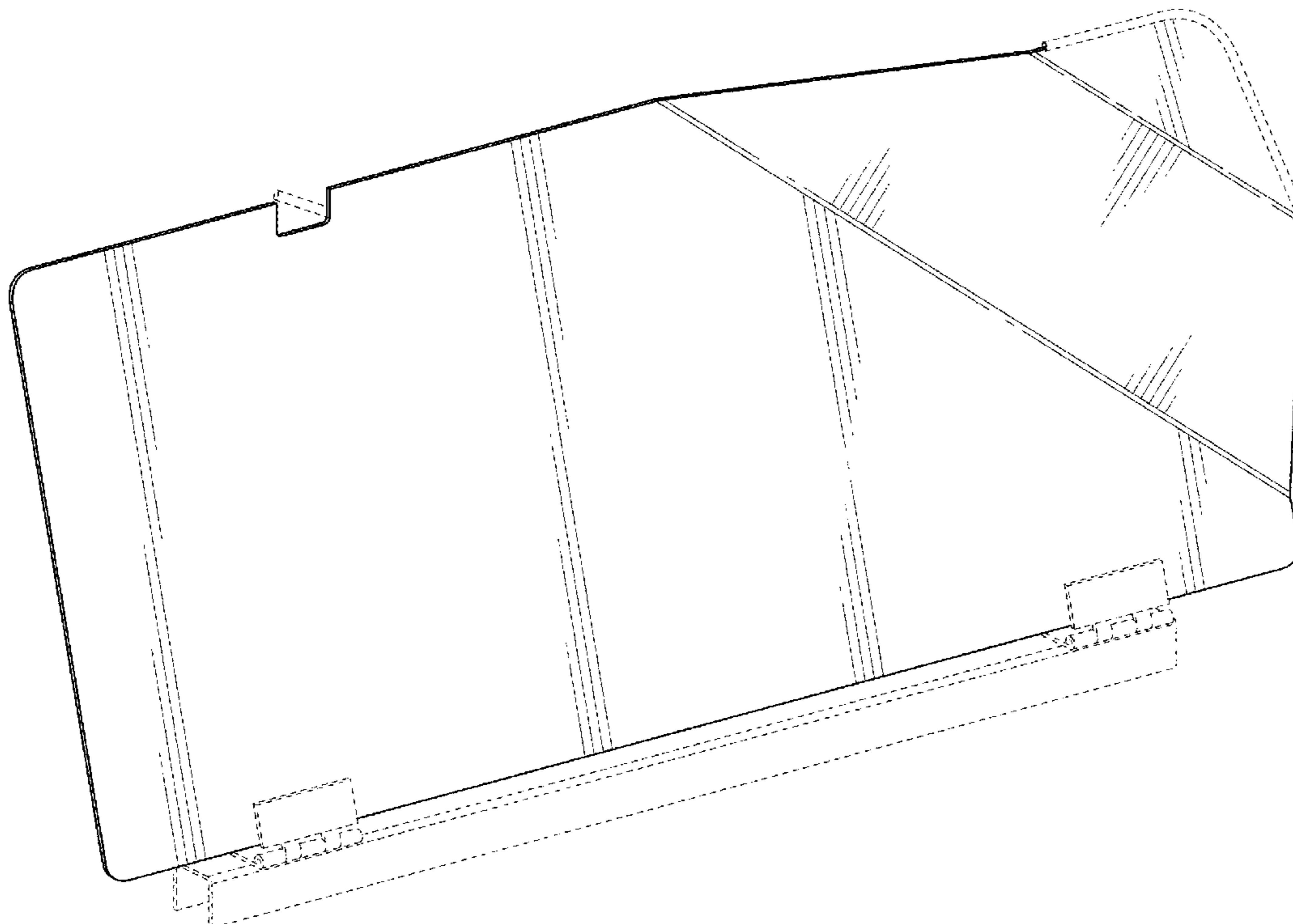
FIG. 1 is a perspective view of a windshield guard depicting  
a new design;  
FIG. 2 is a top plan view thereof;  
FIG. 3 is a bottom plan view thereof;  
FIG. 4 is a first side view thereof;  
FIG. 5 is a second opposite side view thereof;  
FIG. 6 is a front view thereof; and,  
FIG. 7 is a rear view thereof.  
The broken line portion of the figure drawings is included to  
show unclaimed subject matter only and forms no part of the  
claimed designs.

(56) **References Cited**

**U.S. PATENT DOCUMENTS**

D647,020 S \* 10/2011 Kosaka ..... D12/191  
D681,526 S \* 5/2013 Santos ..... D12/191

**1 Claim, 5 Drawing Sheets**



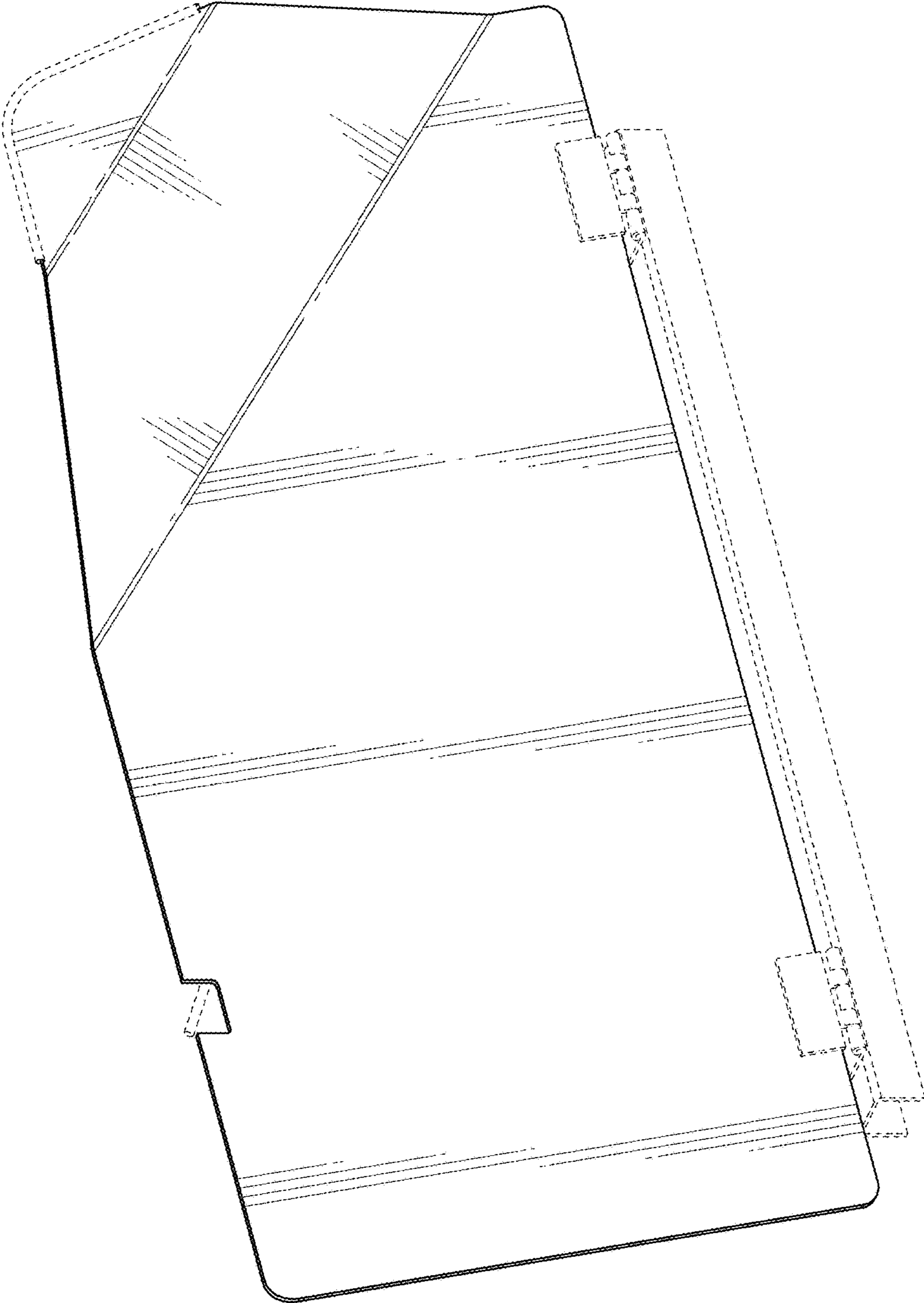


FIG. 1

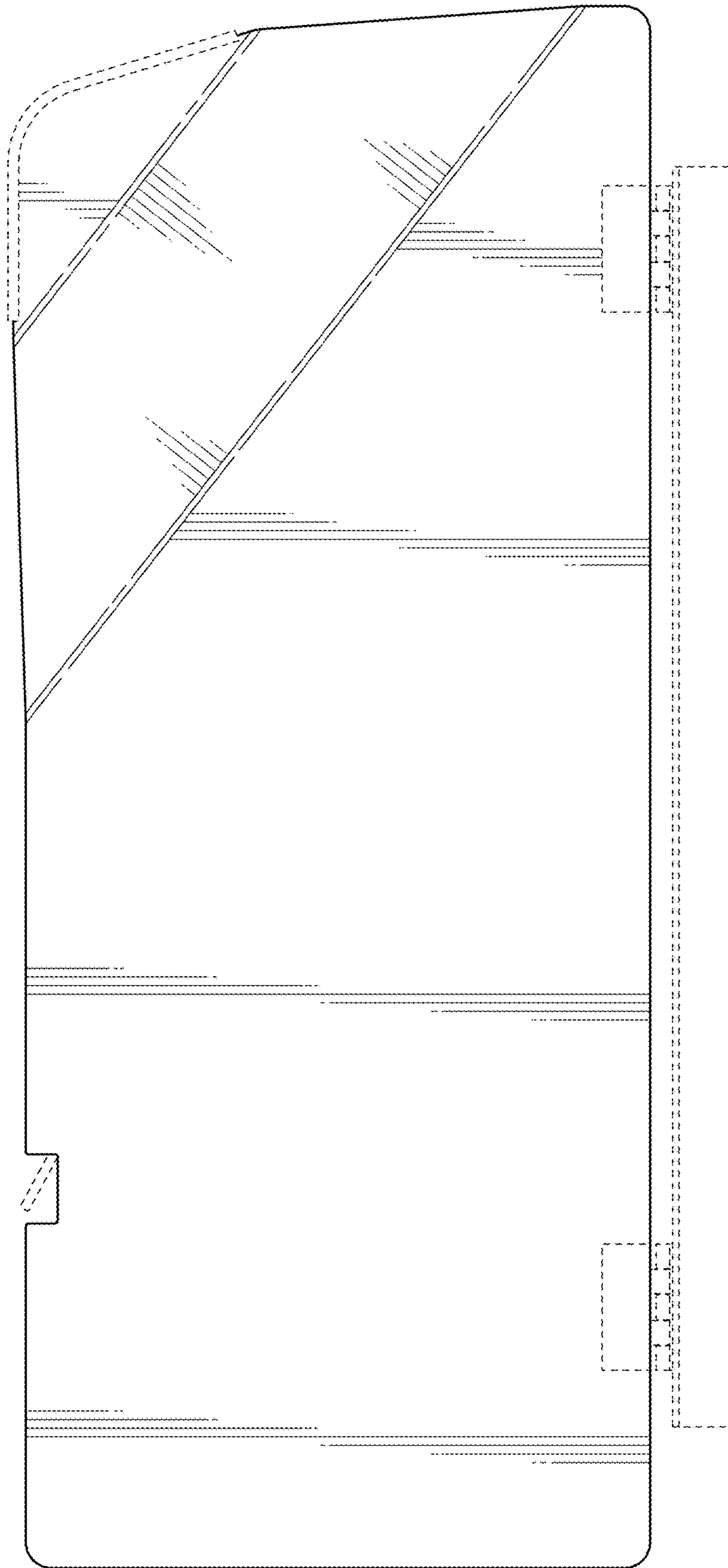


FIG. 2

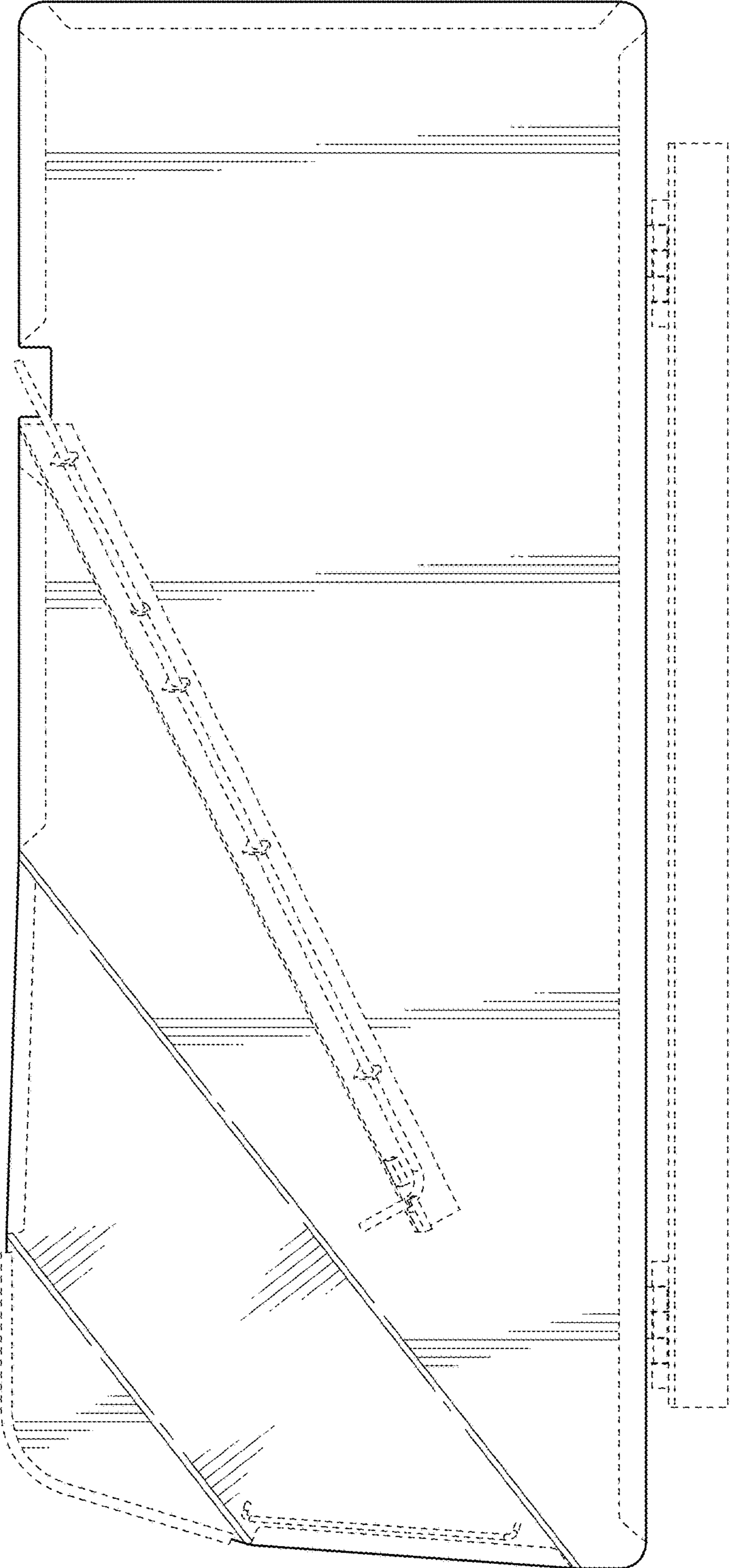


FIG. 3

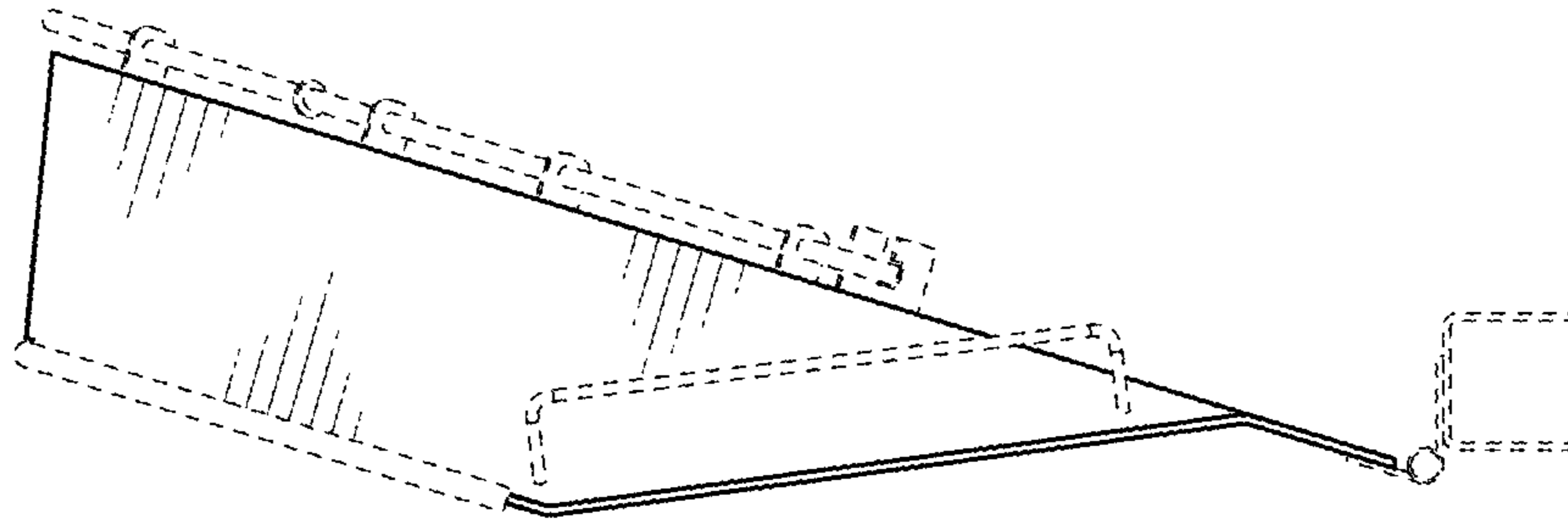


FIG. 5

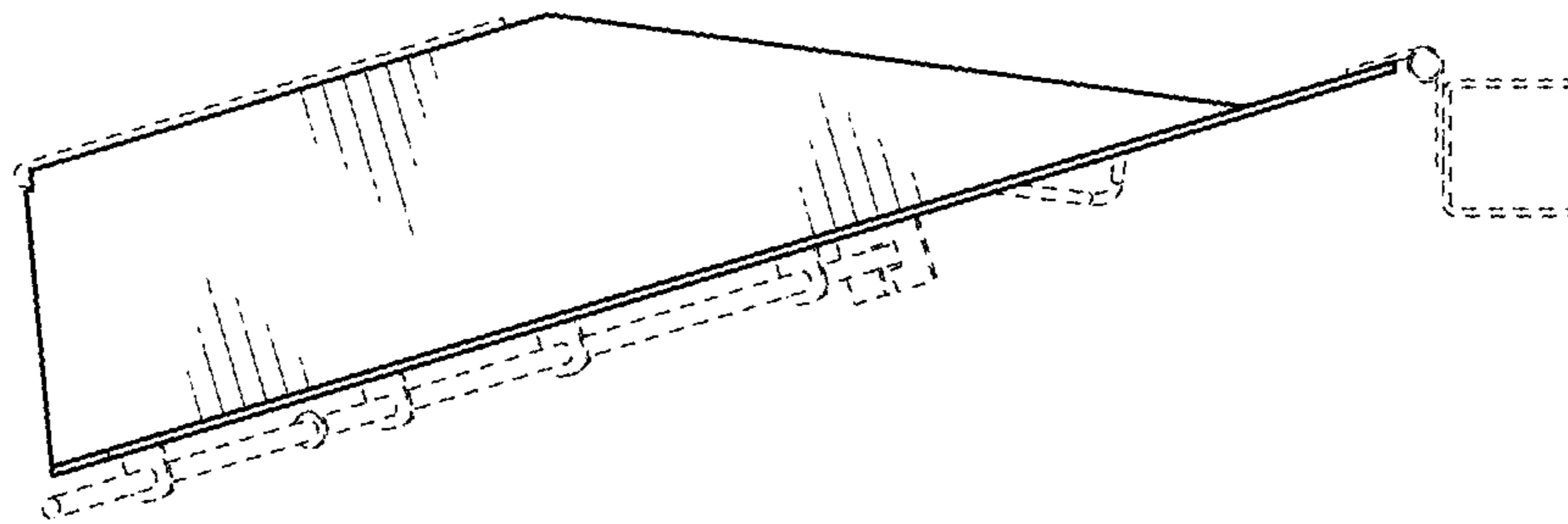


FIG. 4

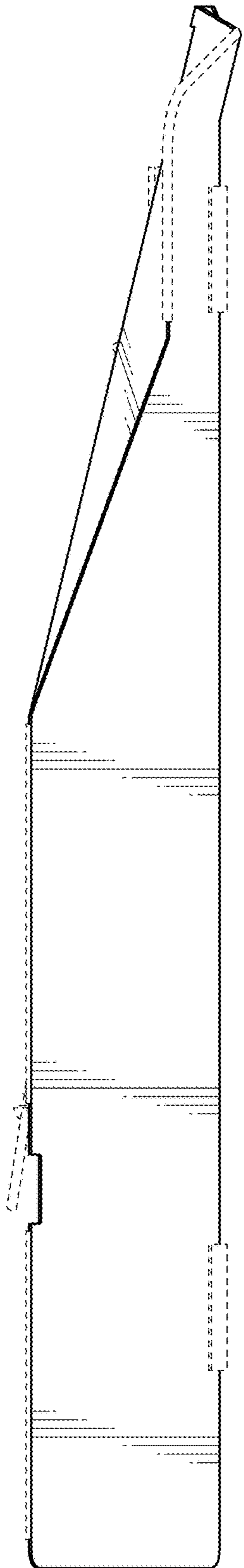


FIG. 6

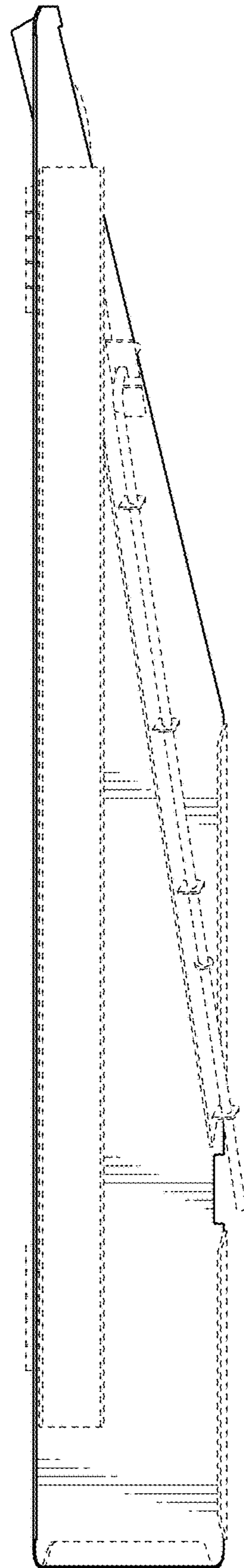


FIG. 7