

US00D792816S

(12) **United States Design Patent**  
**Kozub**

(10) **Patent No.:** **US D792,816 S**  
(45) **Date of Patent:** **\*\* Jul. 25, 2017**

- (54) **VEHICLE FRONT BUMPER**
- (71) Applicant: **GM GLOBAL TECHNOLOGY OPERATIONS LLC**, Detroit, MI (US)
- (72) Inventor: **Timothy P. Kozub**, Troy, MI (US)
- (73) Assignee: **GM Global Technology Operations LLC**, Detroit, MI (US)
- (\*\*) Term: **15 Years**
- (21) Appl. No.: **29/558,818**
- (22) Filed: **Mar. 22, 2016**
- (51) **LOC (10) Cl.** ..... **12-16**
- (52) **U.S. Cl.**  
USPC ..... **D12/169**
- (58) **Field of Classification Search**  
USPC ..... D12/86, 90, 91, 92, 163, 164, 169, 171, D12/196, 216  
CPC ..... B60R 19/02; B60R 19/18; B60R 19/24; B60R 19/56; B60R 2019/007  
See application file for complete search history.

- D608,249 S 1/2010 Peters
- D608,690 S 1/2010 Folden et al.
- D608,691 S 1/2010 Zak, Jr. et al.
- D609,608 S 2/2010 Boniface et al.
- D611,387 S 3/2010 Thompson et al.
- D611,879 S 3/2010 Kim et al.
- D612,297 S 3/2010 Peters et al.
- D613,645 S 4/2010 Song et al.
- D615,458 S 5/2010 Thompson et al.
- D618,595 S 6/2010 Ware et al.
- D623,090 S 9/2010 Cox et al.
- D627,262 S 11/2010 Ikeda et al.
- D635,488 S 4/2011 Phipps
- D644,147 S 8/2011 Suh et al.
- D644,567 S 9/2011 Kozub
- D657,718 S 4/2012 Zipfel et al.
- D659,052 S 5/2012 Ware et al.
- D659,053 S 5/2012 Ware et al.
- D668,182 S 10/2012 Barba Franco et al.
- D668,183 S 10/2012 Smart
- D670,626 S \* 11/2012 Goto ..... D12/169
- D678,820 S 3/2013 Son et al.
- D678,821 S 3/2013 Ikeda et al.
- D680,909 S 4/2013 Munson et al.

(Continued)

*Primary Examiner* — Darlington Ly  
(74) *Attorney, Agent, or Firm* — Reising Ethington P.C.

(56) **References Cited**

**U.S. PATENT DOCUMENTS**

- D570,742 S 6/2008 Takagi et al.
- 7,481,487 B2 \* 1/2009 Lau ..... B60R 19/52  
180/68.1
- D592,105 S 5/2009 Dean et al.
- D597,447 S 8/2009 Folden
- D600,595 S 9/2009 Nakamura et al.
- D601,925 S 10/2009 O'Donnell
- D603,755 S 11/2009 Peters
- D604,203 S 11/2009 O'Donnell
- D605,082 S 12/2009 Munson
- D605,083 S 12/2009 Manoogian, II et al.
- D605,977 S 12/2009 Zipfel et al.
- D605,978 S 12/2009 Wolff et al.

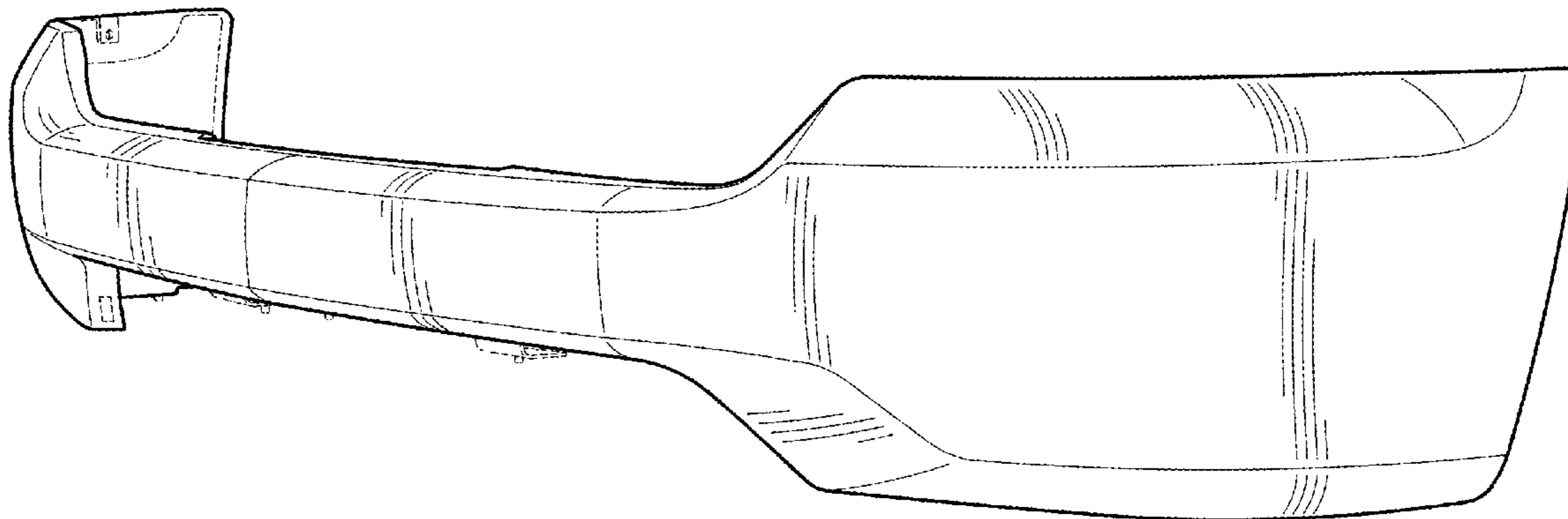
(57) **CLAIM**

The ornamental design for a vehicle front bumper, as shown and described.

**DESCRIPTION**

FIG. 1 is a perspective view of the vehicle front bumper; FIG. 2 is a front view thereof; FIG. 3 is a left side view thereof, of which the right side elevation view is a mirror image; and, FIG. 4 is a top plan view thereof. The broken lines in the drawings illustrate portions of the vehicle front bumper that form no part of the claimed design.

**1 Claim, 2 Drawing Sheets**



(56)

References Cited

U.S. PATENT DOCUMENTS

D680,910 S	4/2013	David	
D684,899 S	6/2013	Baker	
D686,536 S	7/2013	McCabe et al.	
D690,630 S	* 10/2013	Kazama .....	D12/169
D690,631 S	* 10/2013	Kazama .....	D12/169
D692,798 S	11/2013	Thurber	
D692,799 S	11/2013	Smith et al.	
D696,157 S	12/2013	Loeb	
D699,629 S	2/2014	Ikeda et al.	
D700,871 S	3/2014	O'Donnell et al.	
D701,152 S	* 3/2014	Saracoglu .....	D12/169
D702,161 S	* 4/2014	Hanaoka .....	D12/169
D703,103 S	4/2014	Lee	
D703,117 S	* 4/2014	Osborne .....	D12/169
D703,118 S	* 4/2014	Gueler .....	D12/169
D704,103 S	5/2014	Mack et al.	
D704,604 S	* 5/2014	Okumoto .....	D12/169
D705,132 S	5/2014	Ware et al.	
D705,699 S	5/2014	Ware et al.	
D708,997 S	* 7/2014	Koizumi .....	D12/169
D710,268 S	* 8/2014	Brzustowicz .....	D12/169
D712,801 S	* 9/2014	Kobayashi .....	D12/169
D713,298 S	9/2014	Dyson	
D713,764 S	9/2014	Ferlazzo et al.	
D716,696 S	11/2014	Thole et al.	
D716,706 S	11/2014	Thole et al.	
D716,709 S	11/2014	Thole et al.	
D717,219 S	* 11/2014	Murakawa .....	D12/169
D717,220 S	* 11/2014	Murakawa .....	D12/169
D717,696 S	11/2014	Thole et al.	
D718,189 S	11/2014	Krieg et al.	
D718,683 S	12/2014	Thole et al.	
D719,072 S	* 12/2014	Robinson .....	D12/169
D722,282 S	2/2015	Loeb	
D722,533 S	2/2015	Thole et al.	
D722,534 S	2/2015	Munson et al.	
D722,925 S	* 2/2015	Kato .....	D12/169
D724,510 S	3/2015	McMahan et al.	
D725,001 S	3/2015	McMahan et al.	
D726,591 S	4/2015	Jacob	
D730,776 S	6/2015	Smart	
D730,783 S	6/2015	Henriques et al.	
D732,427 S	6/2015	Loeb	
D732,429 S	6/2015	Loeb	
D732,430 S	6/2015	Loeb	
D732,431 S	6/2015	Loeb	
D732,432 S	6/2015	Aengenheyster	
D732,433 S	6/2015	Aengenheyster	
D732,435 S	6/2015	Mackay	
D732,443 S	* 6/2015	Won .....	D12/169
D733,002 S	6/2015	Loeb	
D733,624 S	* 7/2015	Morikawa .....	D12/169
D735,611 S	8/2015	Aengenheyster	
D735,627 S	8/2015	Smith	
D736,451 S	8/2015	Smith	
D739,306 S	9/2015	McMahan et al.	
D739,317 S	9/2015	McMahan et al.	
D740,186 S	* 10/2015	Gunnarson .....	D12/169
D741,223 S	10/2015	Kim et al.	
D743,309 S	11/2015	Thole et al.	
D743,313 S	11/2015	Smith et al.	
D743,314 S	11/2015	Thole et al.	
D743,854 S	* 11/2015	Miyazawa .....	D12/169
D743,857 S	11/2015	McMahan et al.	
D744,158 S	11/2015	Willett et al.	
D745,086 S	12/2015	Finos et al.	
D745,719 S	12/2015	Boniface et al.	
D745,725 S	12/2015	McMahan et al.	
D745,726 S	12/2015	McMahan et al.	
D745,837 S	12/2015	Smith et al.	
D746,726 S	1/2016	Smith et al.	
D746,727 S	1/2016	Smith et al.	
D746,728 S	1/2016	Smith et al.	
D746,729 S	1/2016	Boniface et al.	
D746,730 S	1/2016	Kim et al.	
D746,733 S	* 1/2016	Behmer .....	D12/169
D747,514 S	1/2016	McMahan et al.	
D747,515 S	1/2016	McMahan et al.	
D747,819 S	1/2016	Thole et al.	
D749,021 S	2/2016	Boniface et al.	
D749,022 S	* 2/2016	Nakahara .....	D12/169
D749,026 S	2/2016	Smith et al.	
D749,027 S	2/2016	McMahan et al.	
D749,246 S	2/2016	Thole et al.	
D749,249 S	2/2016	Thole et al.	
D749,250 S	2/2016	Thole et al.	
D749,473 S	* 2/2016	Lee .....	D12/169
D749,985 S	2/2016	Kozub et al.	
D749,997 S	2/2016	McMahan et al.	
D750,001 S	2/2016	Thole et al.	
D753,559 S	* 4/2016	McMahan .....	D12/169
D753,560 S	* 4/2016	McMahan .....	D12/169
D753,564 S	* 4/2016	Frascella .....	D12/169
D756,862 S	* 5/2016	Wada .....	D12/169
D760,629 S	* 7/2016	Chung .....	D12/169
D760,631 S	* 7/2016	Choi .....	D12/169
D762,532 S	* 8/2016	Tsutamori .....	D12/169
D763,145 S	* 8/2016	Tsutamori .....	D12/169
D772,117 S	* 11/2016	Davidson .....	D12/169
D773,965 S	* 12/2016	Morikawa .....	D12/169
D774,428 S	* 12/2016	Davidson .....	D12/169
D775,010 S	* 12/2016	Kim .....	D12/169
2008/0079271 A1	* 4/2008	Maruko .....	B60R 19/52 293/102
2011/0049913 A1	* 3/2011	Bernt .....	B60R 19/48 293/102
2012/0292931 A1	* 11/2012	Mizoguchi .....	B60R 19/24 293/102

\* cited by examiner

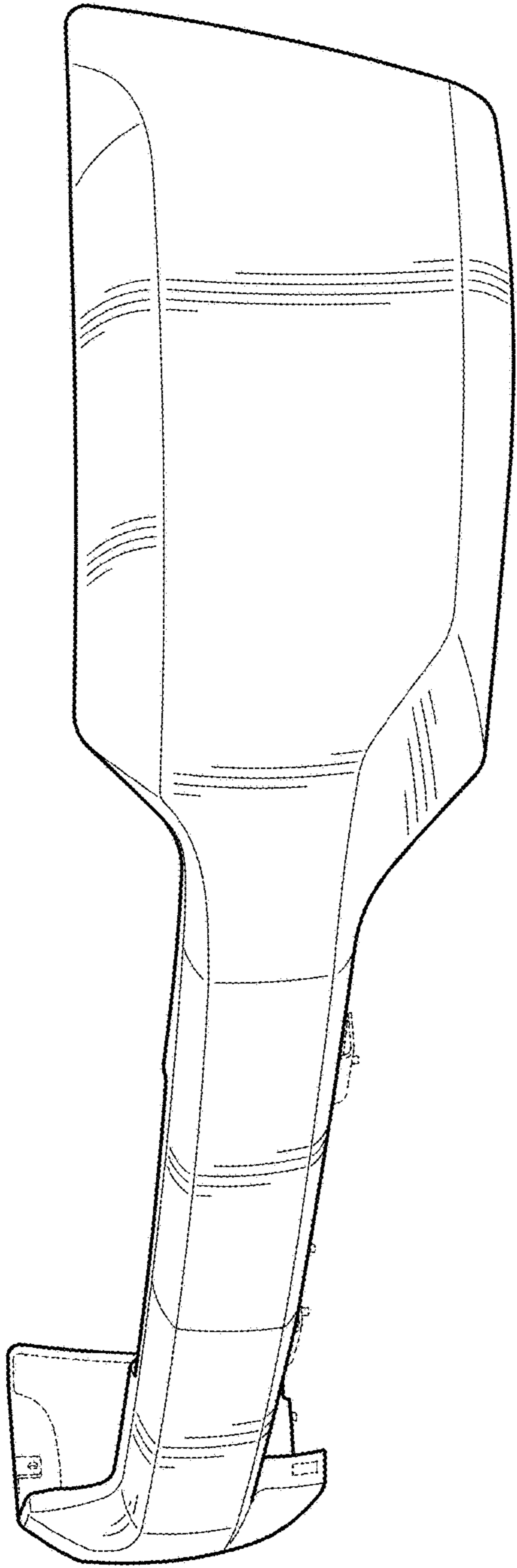


FIG. 1

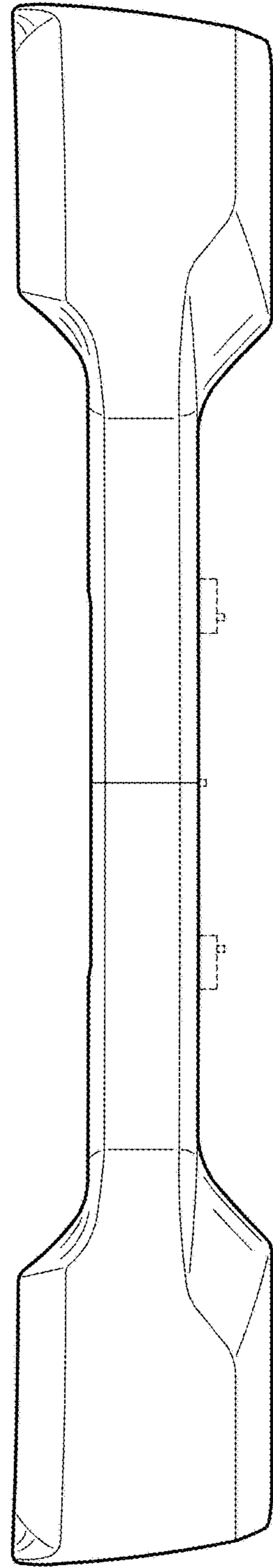


FIG. 2

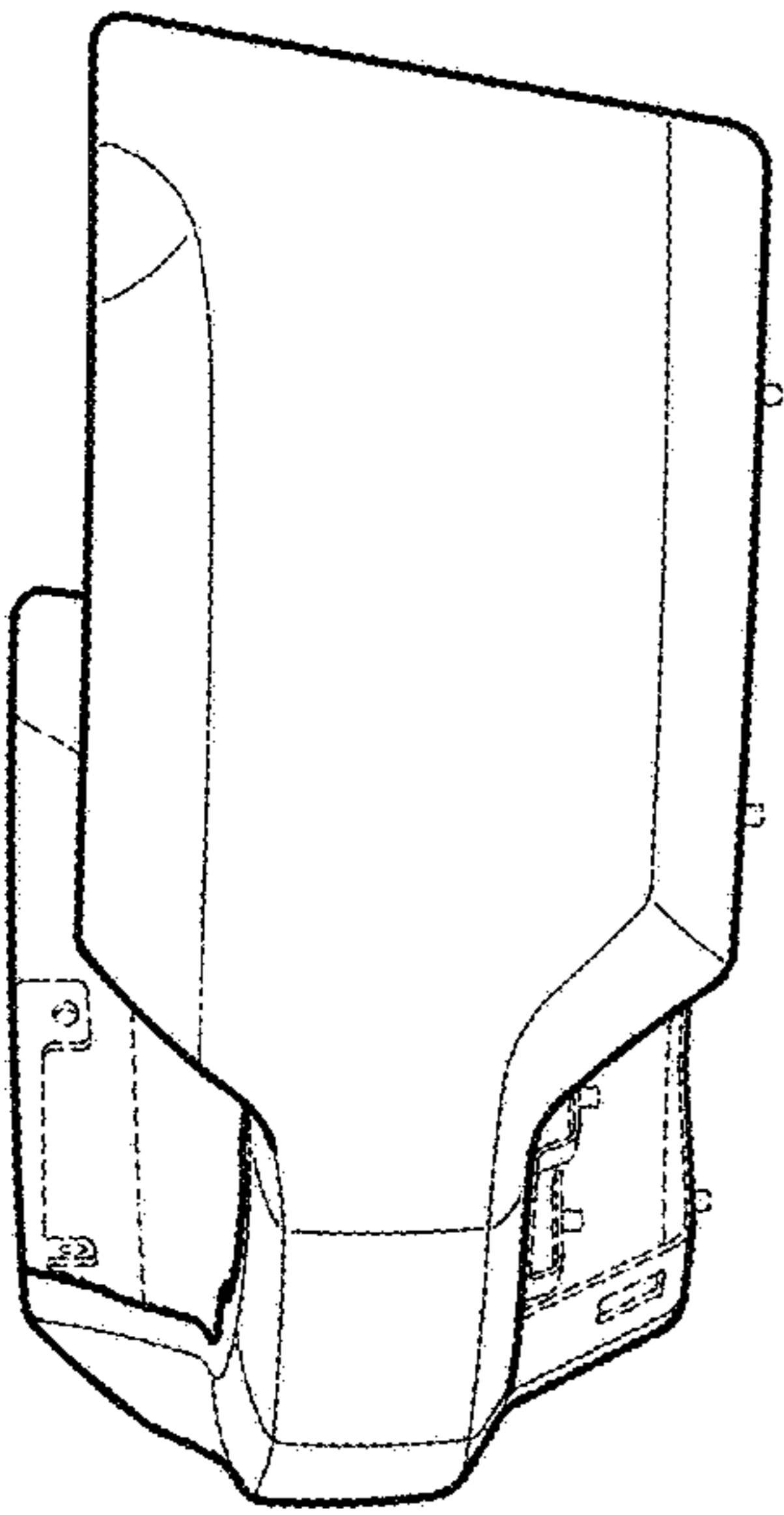


FIG. 3

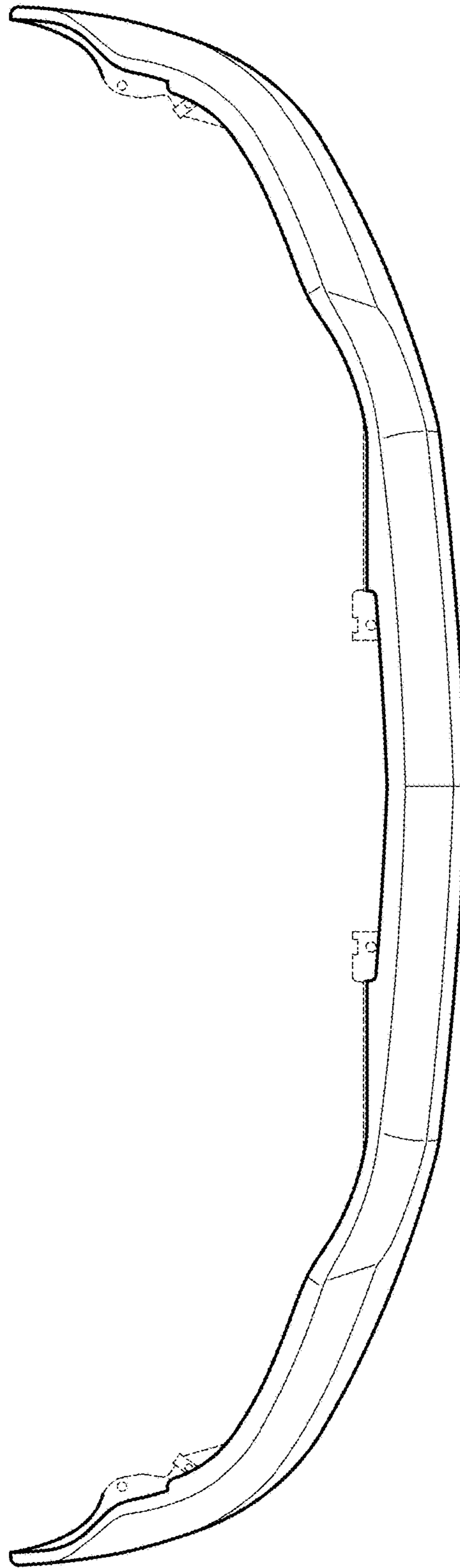


FIG. 4