



US00D792811S

(12) **United States Design Patent**  
**Kermani et al.**

(10) **Patent No.:** **US D792,811 S**  
(45) **Date of Patent:** **\*\* Jul. 25, 2017**

- (54) **ELECTRIC TRICYCLE**
- (71) Applicant: **Razor USA LLC**, Cerritos, CA (US)
- (72) Inventors: **Ali Kermani**, Cerritos, CA (US); **Ian Desberg**, Cerritos, CA (US); **Joey Huang**, Temple City, CA (US); **Tony Wang**, Shanghai (CN)
- (73) Assignee: **Razor USA LLC.**, Cerritos, CA (US)
- (\*\*) Term: **15 Years**
- (21) Appl. No.: **29/556,352**
- (22) Filed: **Feb. 29, 2016**
- (51) **LOC (10) Cl.** ..... **12-11**
- (52) **U.S. Cl.**  
USPC ..... **D12/112; D21/426**
- (58) **Field of Classification Search**  
USPC .... D21/412, 414, 431-435; D12/1, 87, 107, D12/110-114, 129, 130, 133; 280/87.01, 280/87.021, 87.05, 87.051, 47.17, 47.25, 280/47.34, 47.38, 47.4, 827, 828, 29, 200, 280/263, 266, 267, 270, 282, 288.4, 291, 280/293; 297/5; 482/68  
CPC ..... A63G 25/00; B62D 21/183; B62D 39/00; B60K 7/0007  
See application file for complete search history.

D249,496 S *	9/1978	Morgan	.....	D12/112
D252,714 S *	8/1979	Tidwell	.....	D21/426
D276,058 S *	10/1984	Rogers	.....	D21/426
D280,916 S *	10/1985	Castle	.....	D21/426
D320,420 S *	10/1991	Dupont	.....	D12/88
D320,586 S *	10/1991	Tellinghuisen	.....	D12/112
D582,992 S *	12/2008	Alais	.....	D21/426
D692,505 S *	10/2013	Jiang	.....	D12/112
D692,506 S *	10/2013	Jiang	.....	D12/112
2004/0199311 A1 *	10/2004	Aguilar	.....	G09B 9/042 701/36
2010/0032223 A1 *	2/2010	Kermani	.....	A63G 25/00 180/216

\* cited by examiner

*Primary Examiner* — Darlington Ly  
(74) *Attorney, Agent, or Firm* — Muncy, Geissler, Olds & Lowe, P.C.

(57) **CLAIM**

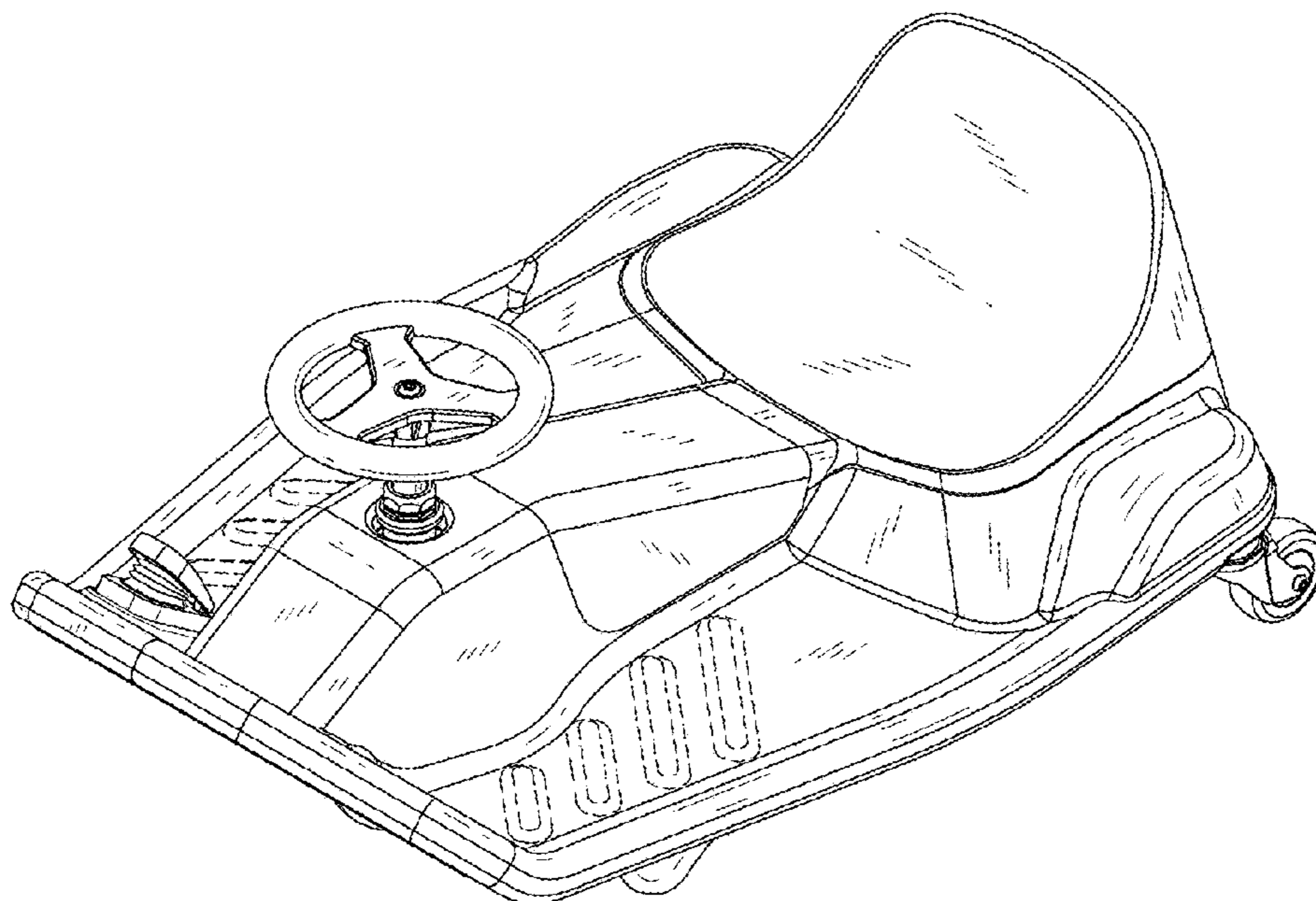
The ornamental design for an electric tricycle, as shown and described.

**DESCRIPTION**

FIG. 1 is a top, front, and right side perspective view of an electric tricycle showing our new design; FIG. 2 is a front elevational view thereof; FIG. 3 is a rear elevational view thereof; FIG. 4 is a left side elevational view thereof; FIG. 5 is a right side elevational view thereof; and, FIG. 6 is a top plan view thereof. The broken lines in the drawings illustrate portions of the electric tricycle that form no part of the claimed design.

**1 Claim, 6 Drawing Sheets**

- (56) **References Cited**  
U.S. PATENT DOCUMENTS  
3,533,484 A \* 10/1970 Wood, Jr. .... B60K 1/00  
15/250.17  
D246,198 S \* 10/1977 Rose ..... D21/426



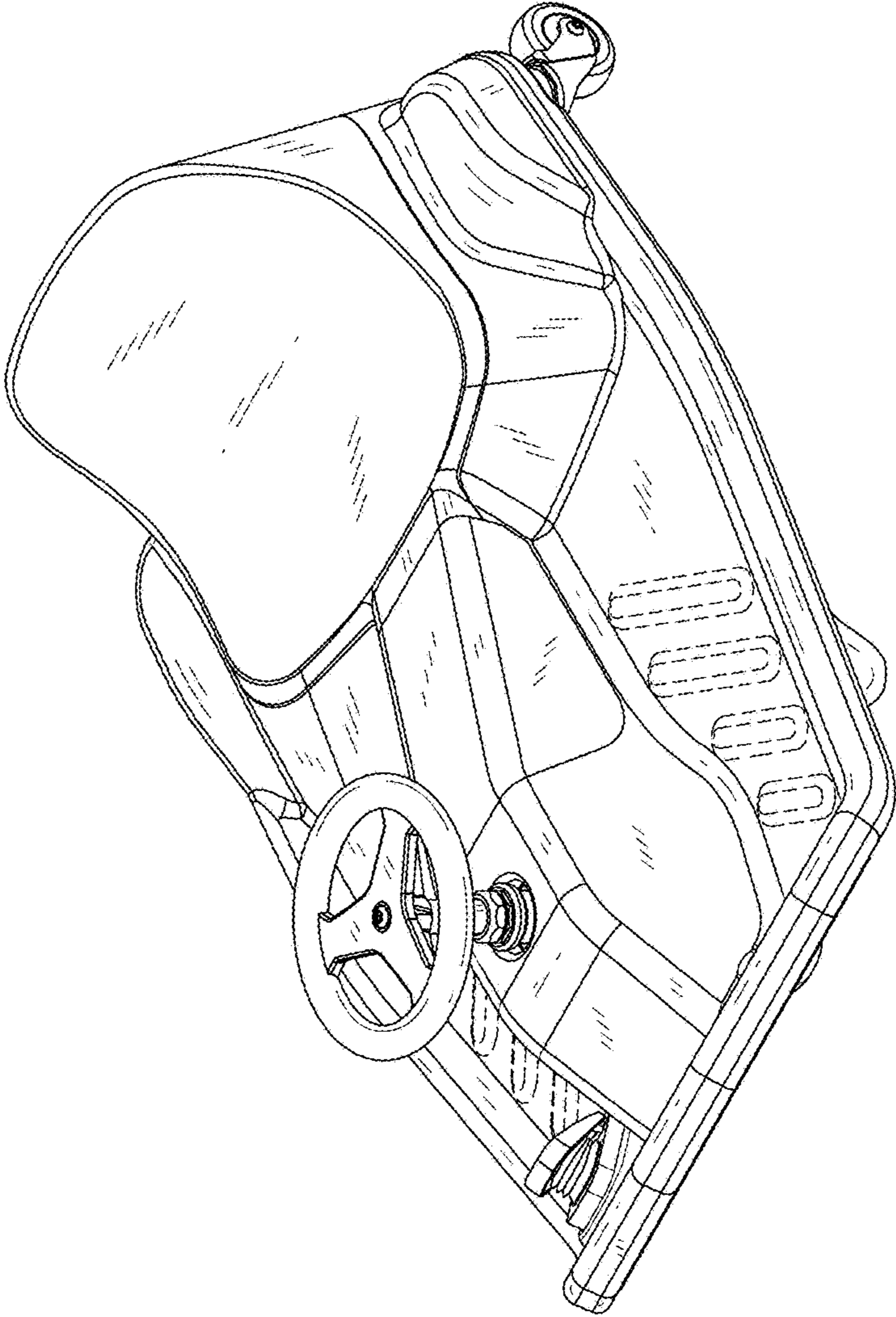


FIG. 1

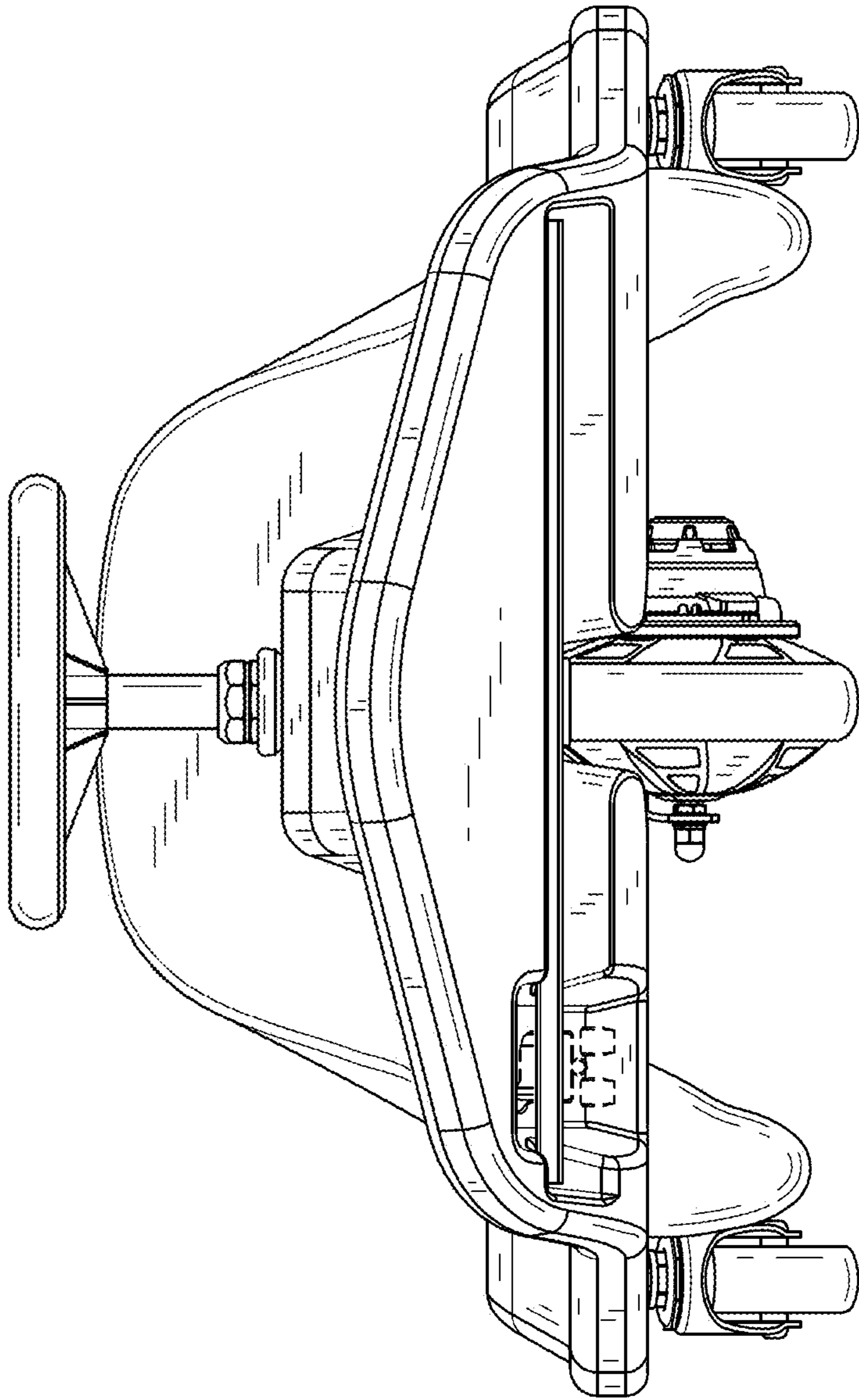


FIG. 2

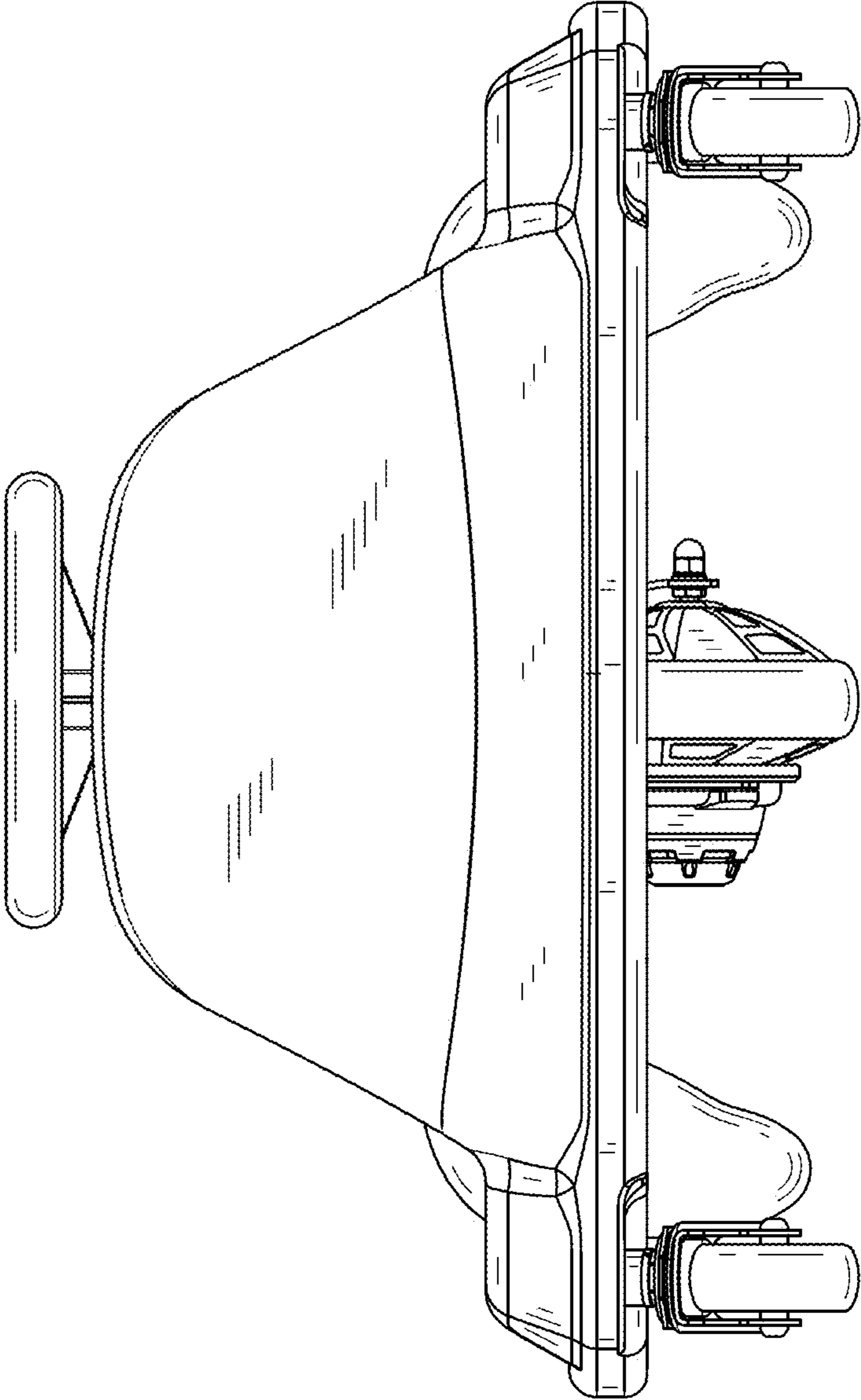


FIG. 3

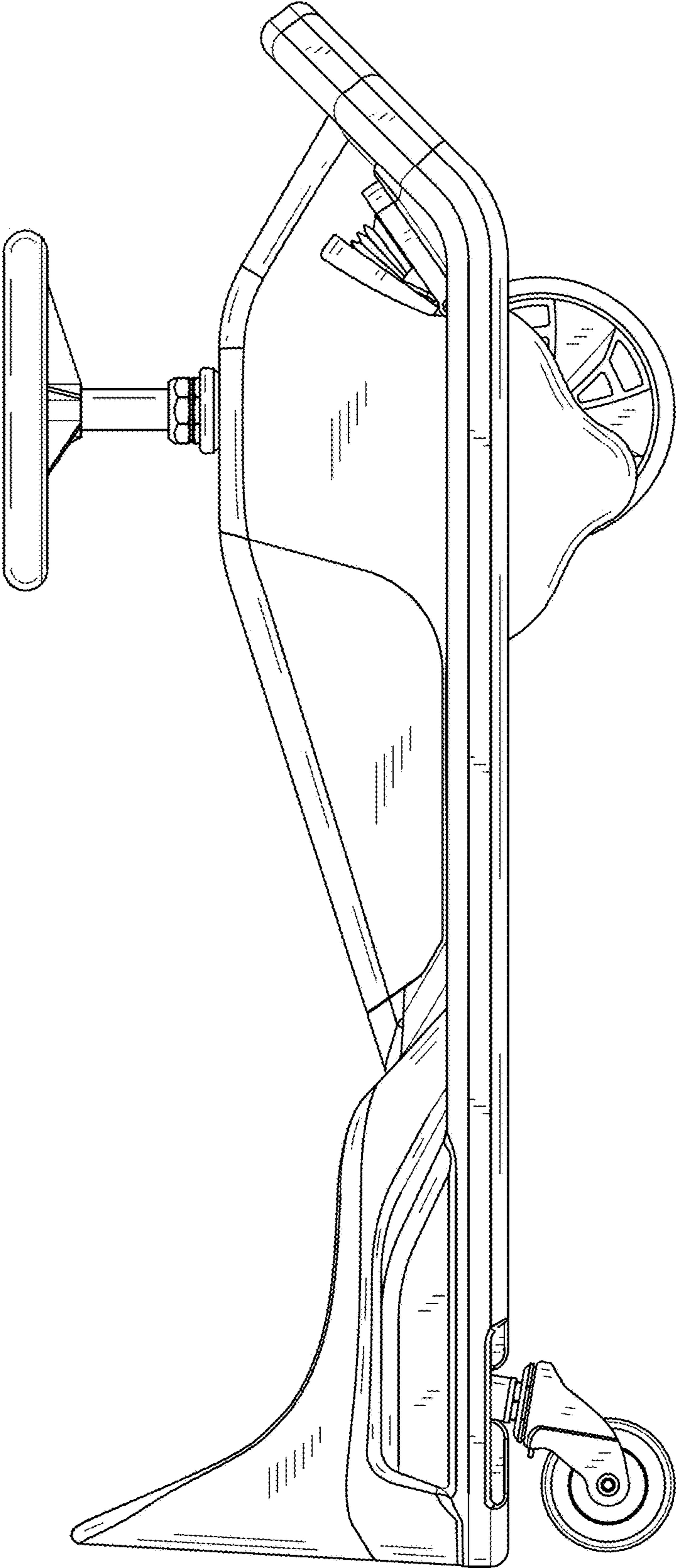


FIG. 4

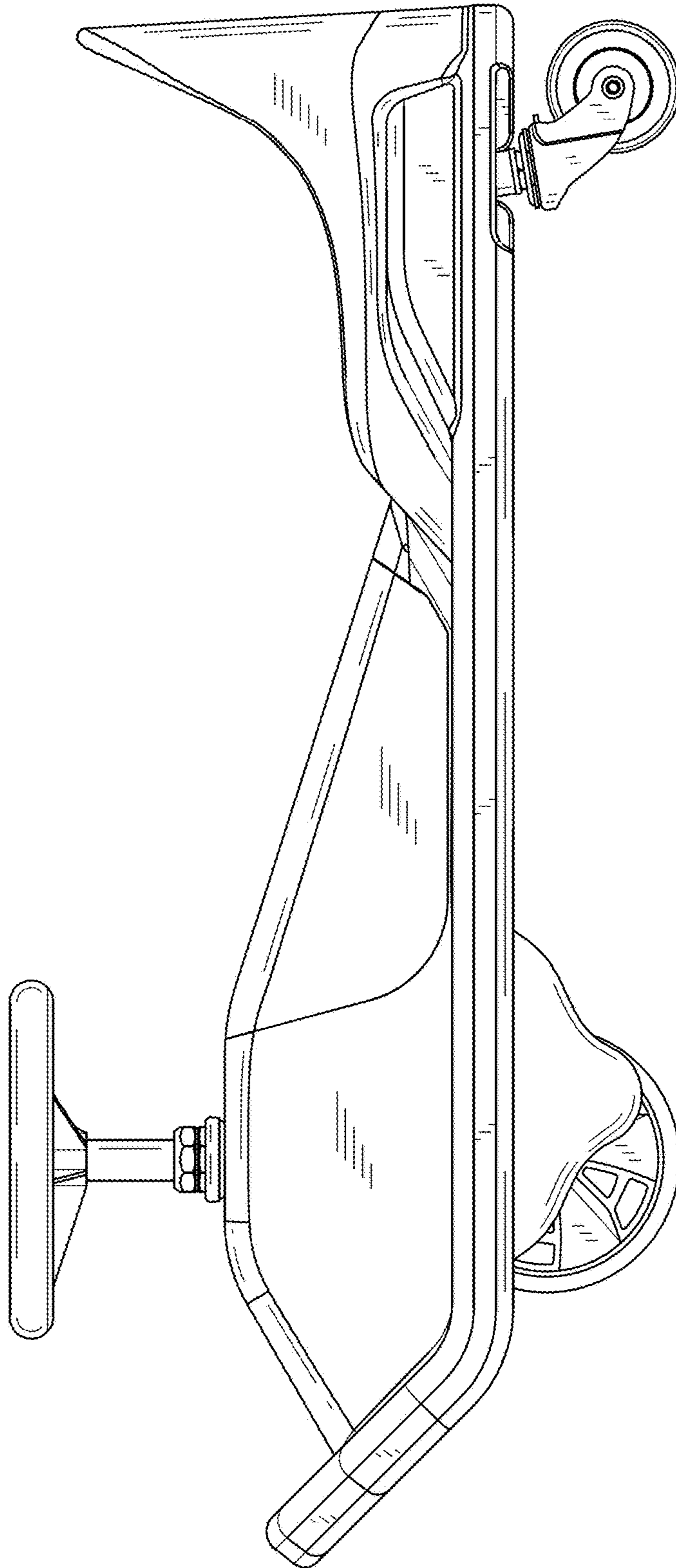


FIG. 5

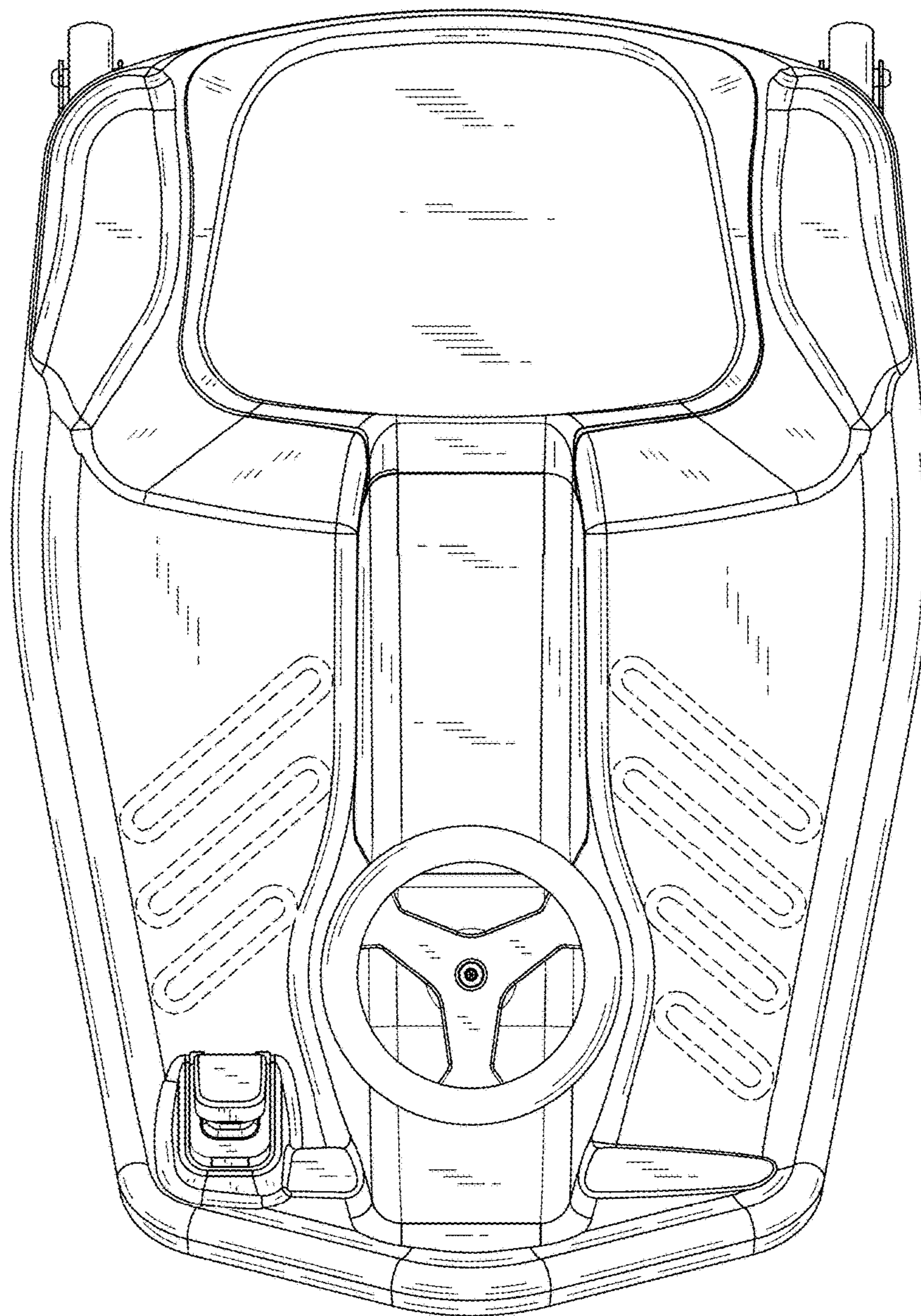


FIG. 6