



US00D792810S

(12) **United States Design Patent**
Kim et al.

(10) **Patent No.:** **US D792,810 S**

(45) **Date of Patent:** **** Jul. 25, 2017**

(54) **AUTOMOBILE**

(71) Applicant: **Hyundai Motor Company**, Seoul (KR)

(72) Inventors: **Seung Jin Kim**, Gyeonggi-do (KR);
Jae Seung Noh, Gyeonggi-do (KR)

(73) Assignee: **Hyundai Motor Company**, Seoul (KR)

(**) Term: **15 Years**

(21) Appl. No.: **29/561,837**

(22) Filed: **Apr. 20, 2016**

(30) **Foreign Application Priority Data**

Oct. 21, 2015 (KR) 30-2015-0053062

(51) **LOC (10) Cl.** **12-08**

(52) **U.S. Cl.**
USPC **D12/92**

(58) **Field of Classification Search**
USPC D12/86, 90-92, 88; D21/421, 433, 434;
296/181.1, 181.5
CPC B62D 35/00; B62D 25/00; B62D 25/06;
B62D 33/00
See application file for complete search history.

(56) **References Cited**

U.S. PATENT DOCUMENTS

D637,943 S *	5/2011	Bischoff	D12/92
D671,034 S *	11/2012	Bischoff	D12/91
D671,035 S *	11/2012	Bischoff	D12/91
D690,231 S *	9/2013	Bischoff	D12/91
D699,157 S *	2/2014	Bischoff	D12/92

D701,145 S *	3/2014	Bischoff	D12/91
D712,788 S *	9/2014	Bischoff	D12/91
D714,689 S *	10/2014	Bischoff	D12/92
D715,693 S *	10/2014	Lamberty	D12/92
D740,177 S *	10/2015	Callum	D12/92
D740,178 S *	10/2015	Bischoff	D12/92
D748,534 S *	2/2016	Bischoff	D12/92
D756,849 S *	5/2016	Garcia Lopez	D12/92
D761,697 S *	7/2016	Bischoff	D12/92
D764,352 S *	8/2016	Pires	D12/92
D766,132 S *	9/2016	Kubo	D12/91
D767,448 S *	9/2016	Leu	D12/92
D776,008 S *	1/2017	Lichte	D12/91
D783,457 S *	4/2017	Wehrli	D12/92

* cited by examiner

Primary Examiner — Melody N Brown

(74) *Attorney, Agent, or Firm* — Mintz Levin Cohn Ferris
Glovsky and Popeo, P.C.; Kongsik Kim

(57) **CLAIM**

The ornamental design for an automobile, as shown and described.

DESCRIPTION

FIG. 1 is a perspective view of an automobile according to the present invention.

FIG. 2 is a front view of the automobile thereof.

FIG. 3 is a rear view of the automobile thereof.

FIG. 4 is a left side view of the automobile thereof.

FIG. 5 is a right side view of the automobile thereof; and,

FIG. 6 is a top view of the automobile thereof.

A bottom view thereof is omitted since it does not contain ornamental features.

1 Claim, 6 Drawing Sheets

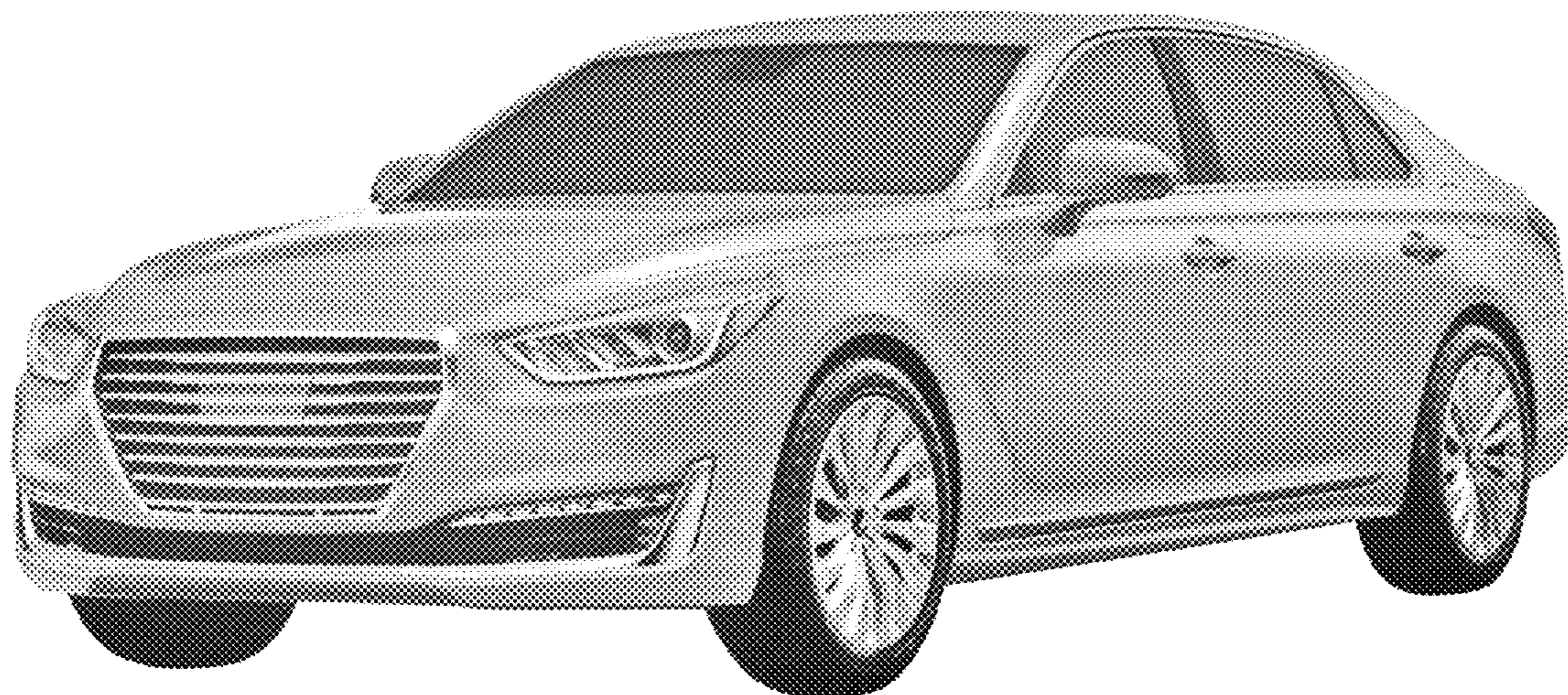


FIG. 1



FIG. 2



FIG. 3

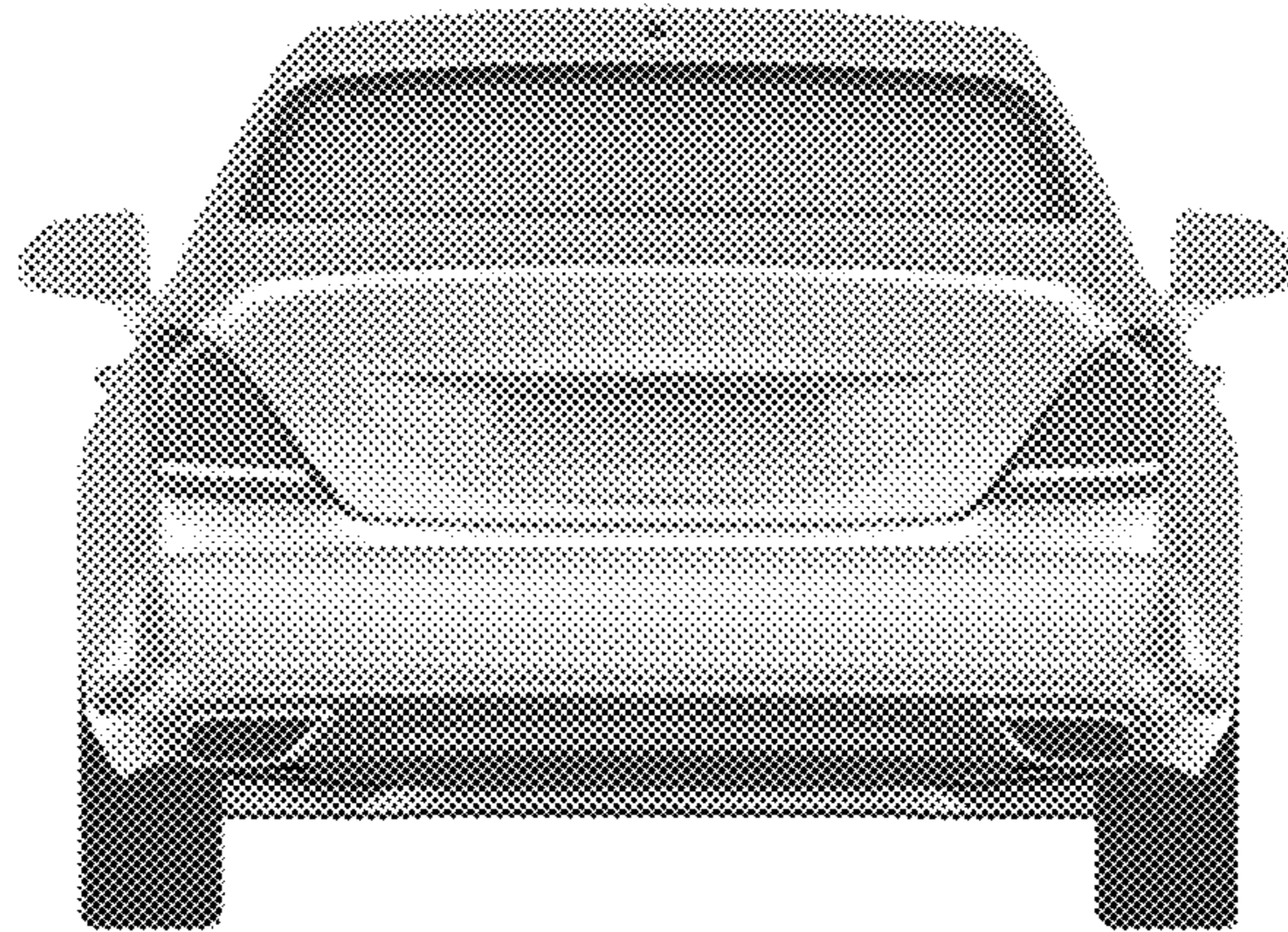


FIG. 4

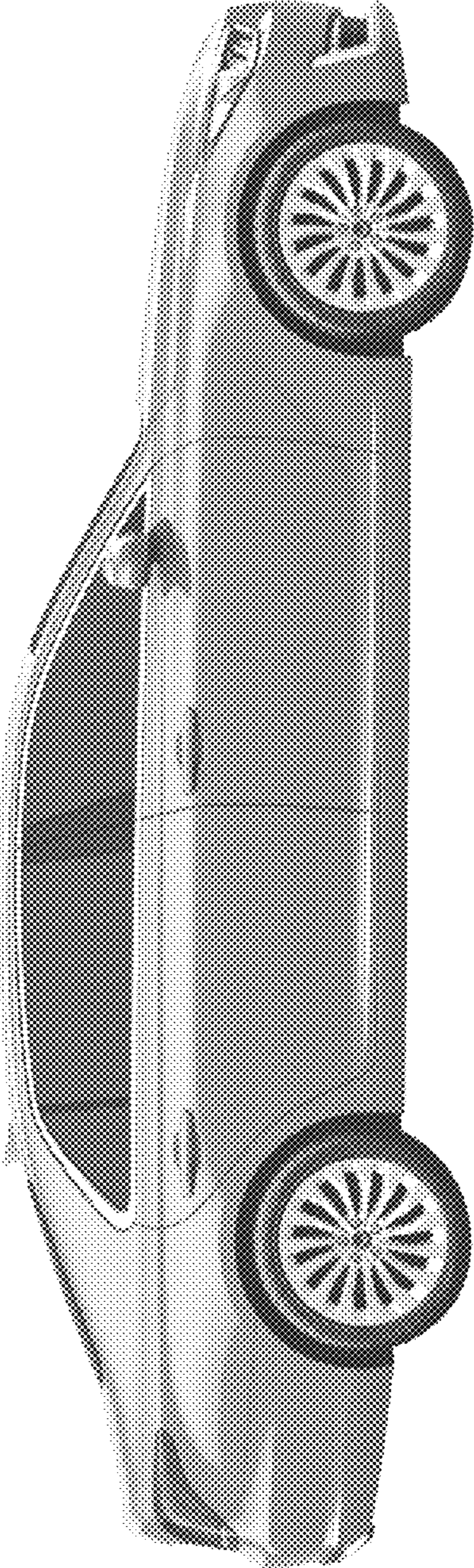


FIG. 5

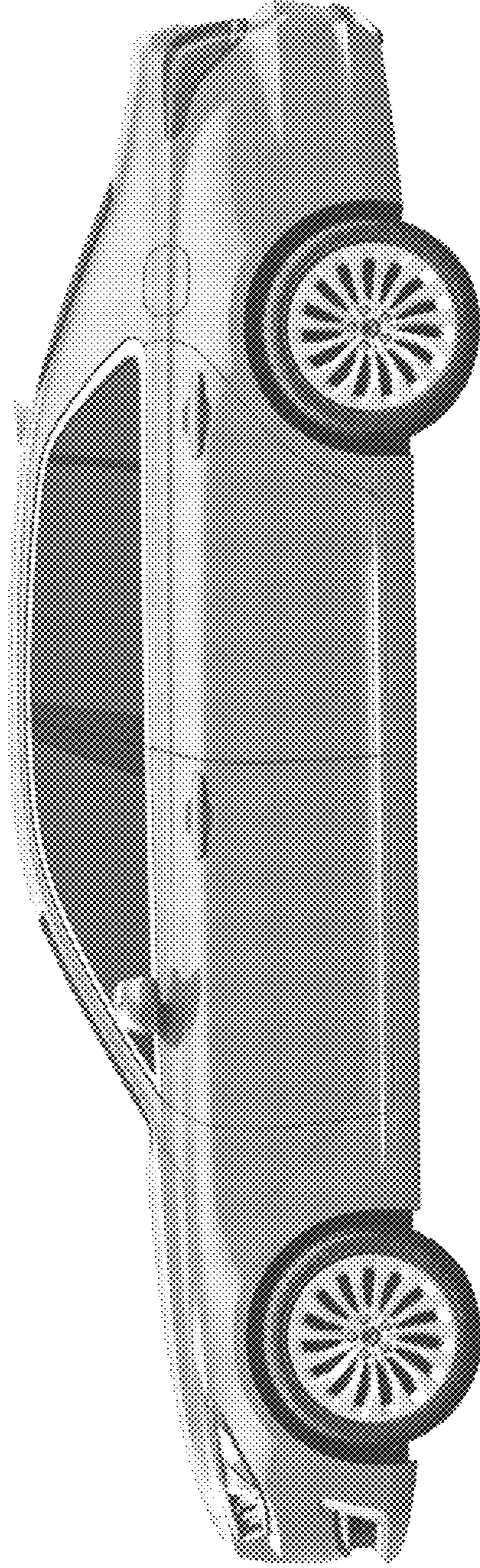


FIG. 6

