



US00D792809S

(12) **United States Design Patent**  
**Nakayama et al.**

(10) **Patent No.:** **US D792,809 S**  
(45) **Date of Patent:** **\*\* Jul. 25, 2017**

(54) **MOTOR VEHICLE**

(71) Applicant: **MAZDA MOTOR CORPORATION**,  
Hiroshima (JP)

(72) Inventors: **Masashi Nakayama**, Hiroshima (JP);  
**Masanori Minamisawa**, Hiroshima  
(JP); **Takanori Tsubaki**, Hiroshima  
(JP); **Yuta Takanashi**, Hiroshima (JP);  
**Yasuyuki Murata**, Hiroshima (JP);  
**Masanori Ito**, Hiroshima (JP)

(73) Assignee: **Mazda Motor Corporation**, Hiroshima  
(JP)

(\*\*) Term: **15 Years**

(21) Appl. No.: **29/536,935**

(22) Filed: **Aug. 20, 2015**

(30) **Foreign Application Priority Data**

Feb. 24, 2015 (JP) ..... D2015-003689

(51) **LOC (10) Cl.** ..... **12-08**

(52) **U.S. Cl.**  
USPC ..... **D12/92**

(58) **Field of Classification Search**  
USPC ..... D12/86, 90-92, 88; D21/421, 433, 434;  
296/181.1, 181.5  
CPC ..... B62D 35/00; B62D 25/00; B62D 25/06;  
B62D 33/00  
See application file for complete search history.

(56) **References Cited**

**U.S. PATENT DOCUMENTS**

D647,432 S \* 10/2011 Zheng ..... D12/92  
D659,593 S \* 5/2012 Robinson ..... D12/92  
D661,227 S \* 6/2012 Varga ..... D12/92

D717,698 S \* 11/2014 Beaven ..... D12/92  
D719,067 S \* 12/2014 Matsumoto ..... D12/92  
D736,674 S \* 8/2015 Larson ..... D12/92  
D740,177 S \* 10/2015 Callum ..... D12/92  
D741,226 S \* 10/2015 Callum ..... D12/92  
D755,678 S \* 5/2016 Nakayama ..... D12/92  
D773,959 S \* 12/2016 Jelec ..... D12/92

**FOREIGN PATENT DOCUMENTS**

JP D1247441 S 8/2005

**OTHER PUBLICATIONS**

Mazda Roadster; Mazda Motor Corporation; Aug. 2014; pp. 27-28.  
News from Mazda; Mazda Website; Mazda Motor Corporation;  
Aug. 23, 2006.

\* cited by examiner

*Primary Examiner* — Melody N Brown

(74) *Attorney, Agent, or Firm* — Stuebaker & Brackett  
PC

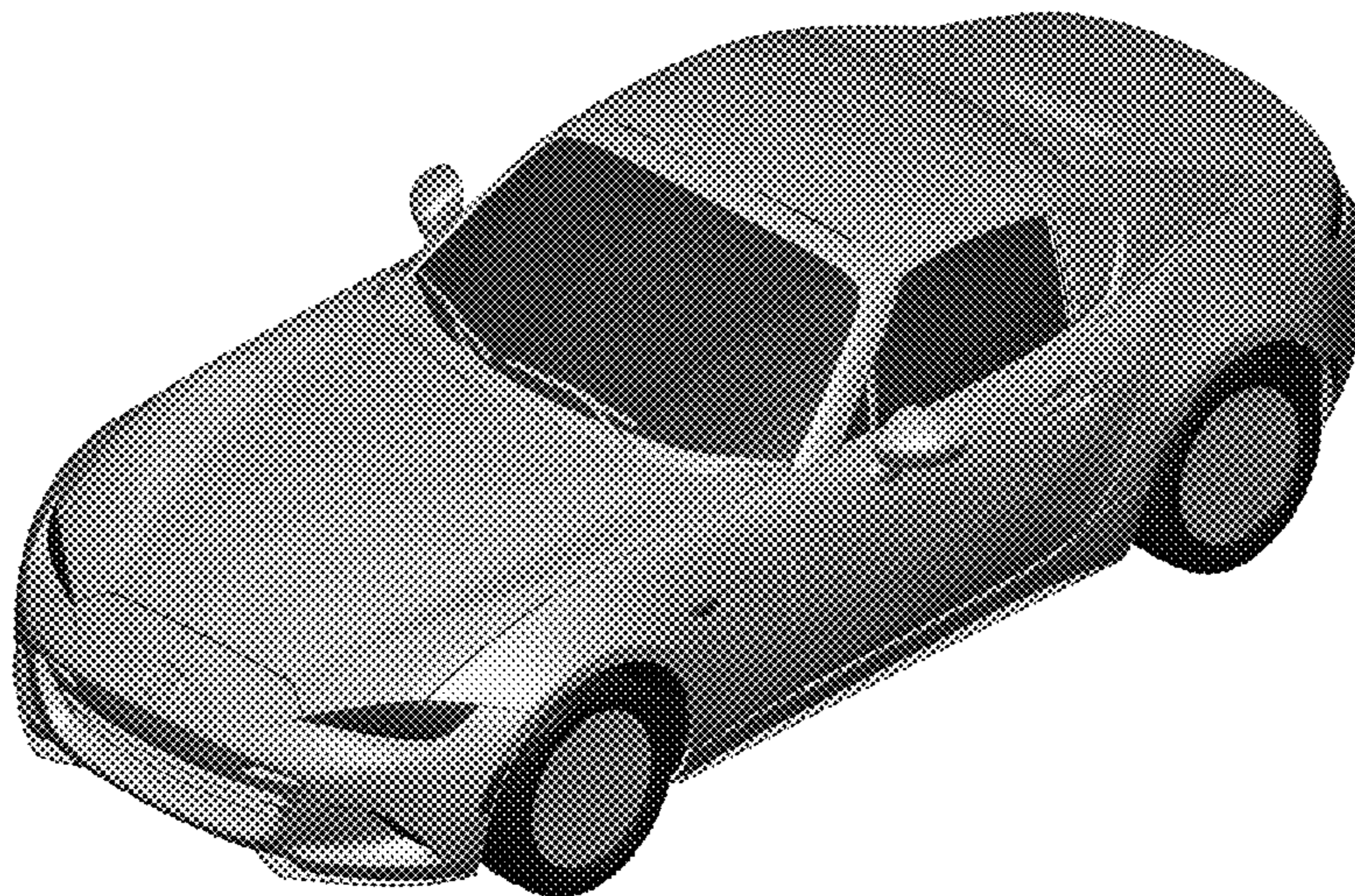
(57) **CLAIM**

The ornamental design for a motor vehicle, as shown and  
described.

**DESCRIPTION**

FIG. 1 is a top, front and left side perspective view of a  
motor vehicle showing my new design;  
FIG. 2 is a front perspective view thereof;  
FIG. 3 is a top, rear and right side perspective view thereof;  
FIG. 4 is a rear perspective view thereof;  
FIG. 5 is a left side elevational view thereof;  
FIG. 6 is a right side elevational view thereof and;  
FIG. 7 is a front elevational view thereof;  
FIG. 8 is a rear elevational view thereof; and,  
FIG. 9 is a top plan view thereof.

**1 Claim, 5 Drawing Sheets**



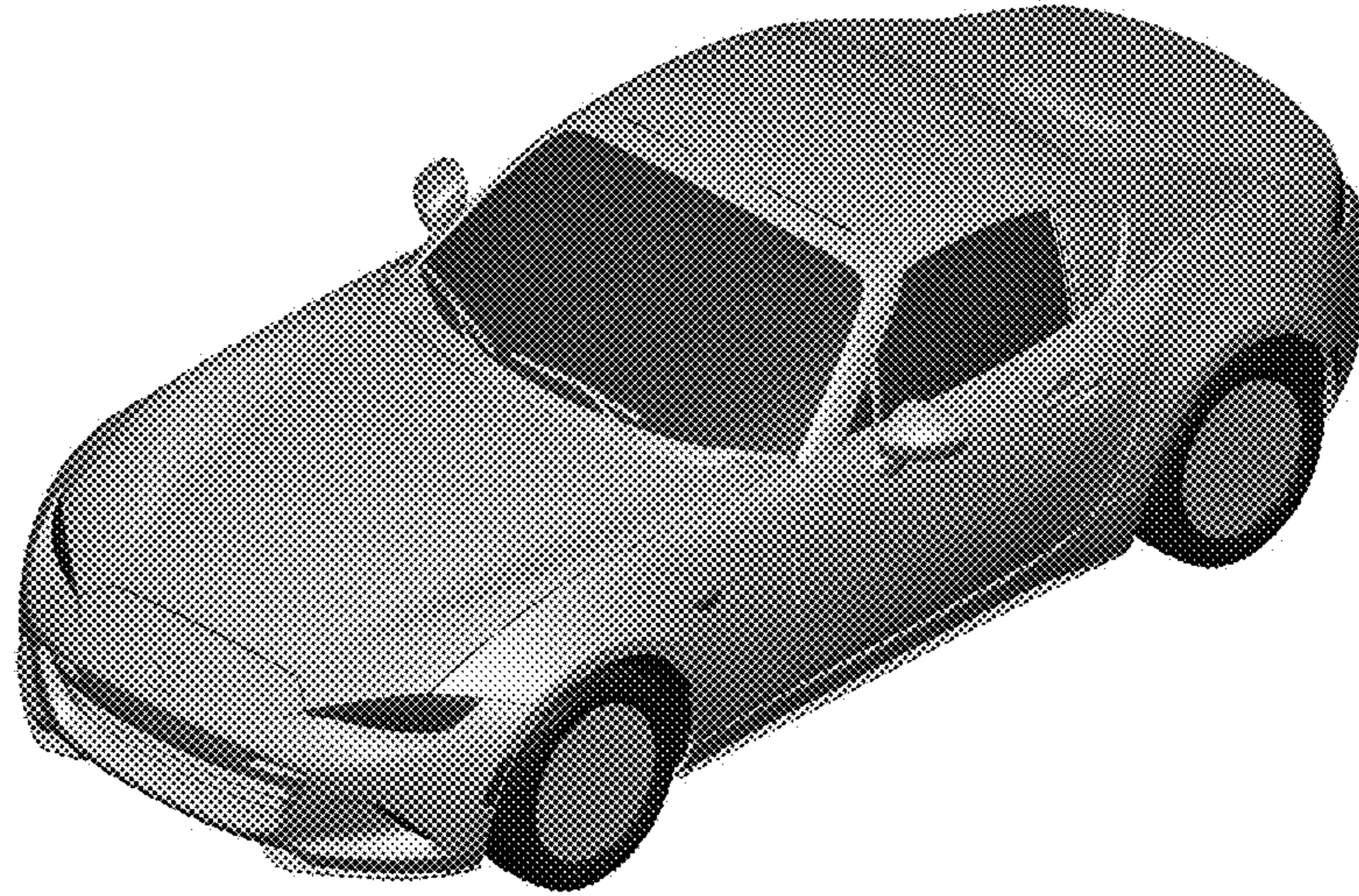


FIG.1

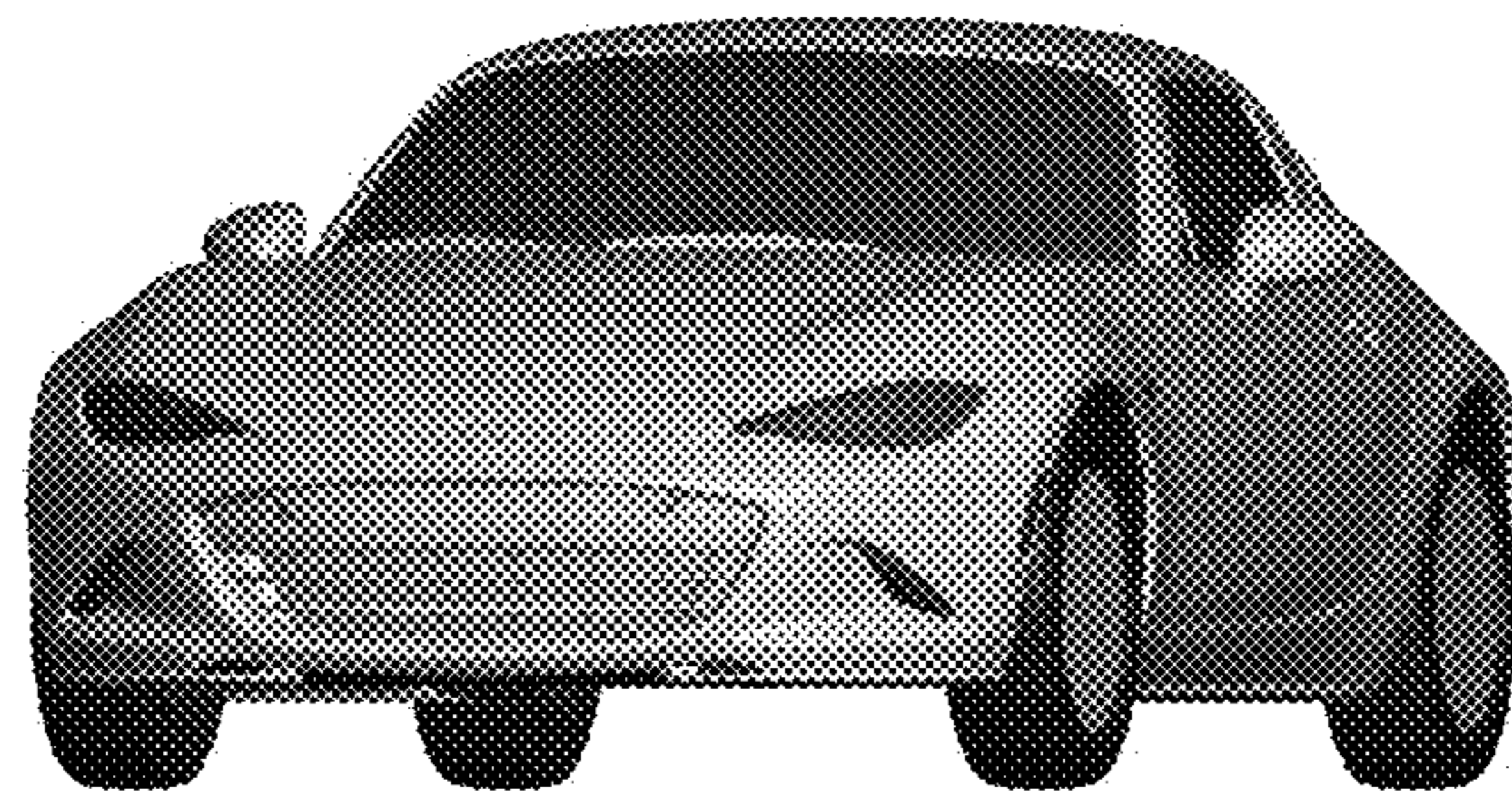


FIG.2

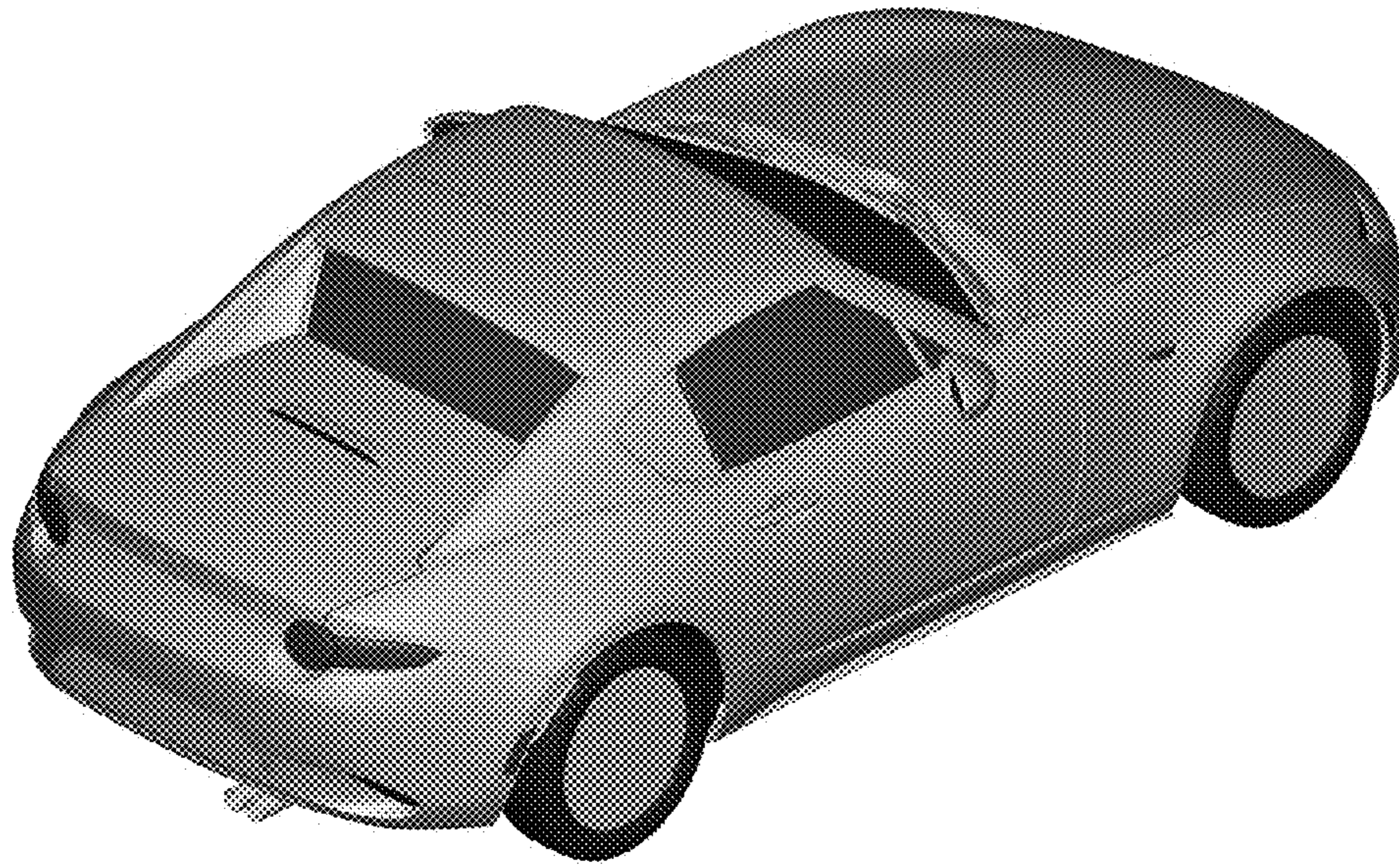


FIG.3

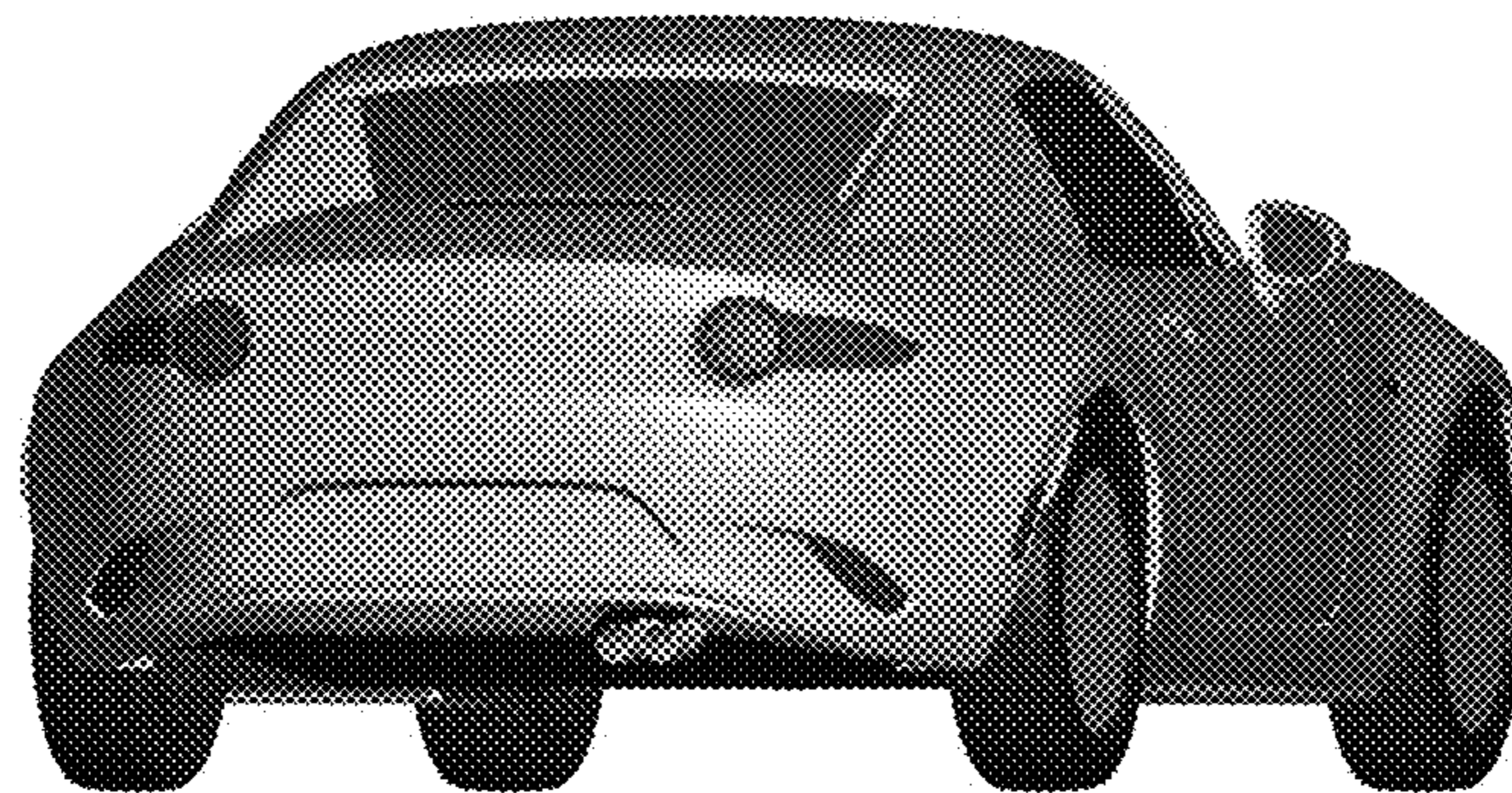


FIG.4

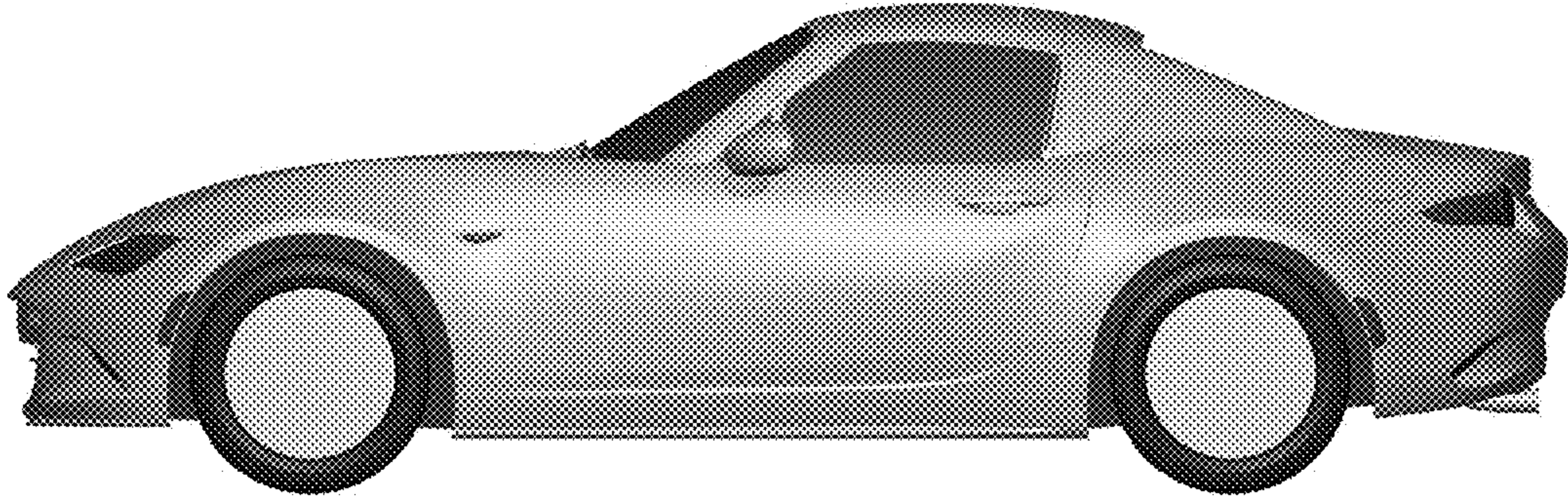


FIG.5

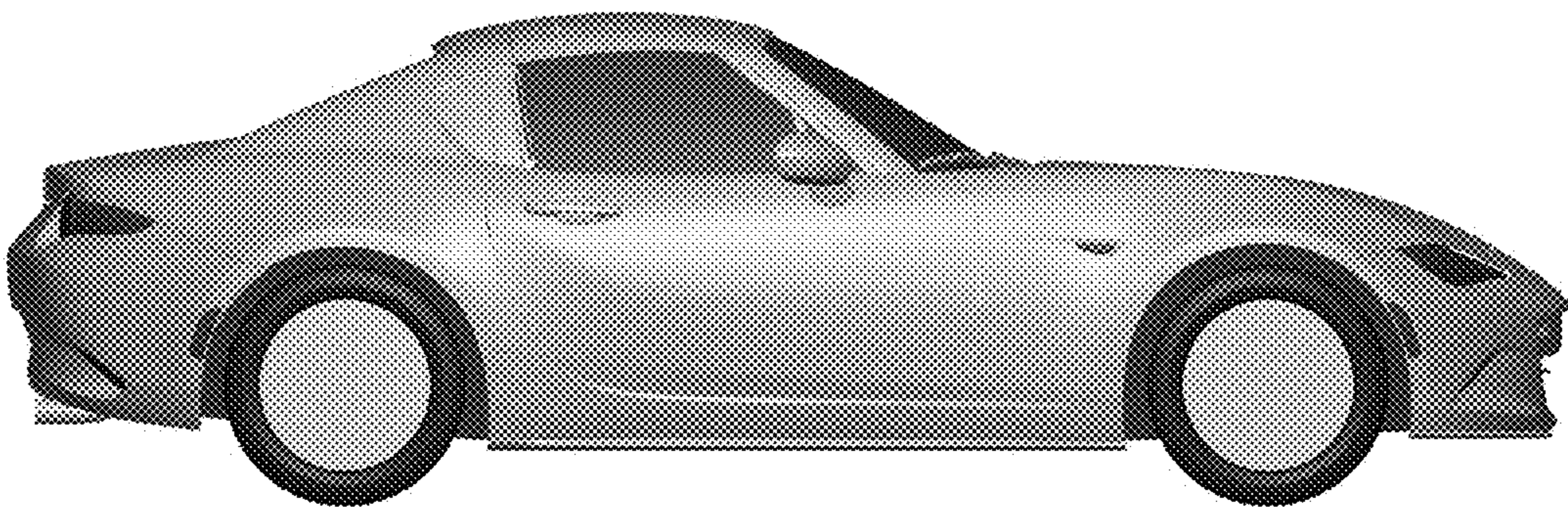


FIG.6

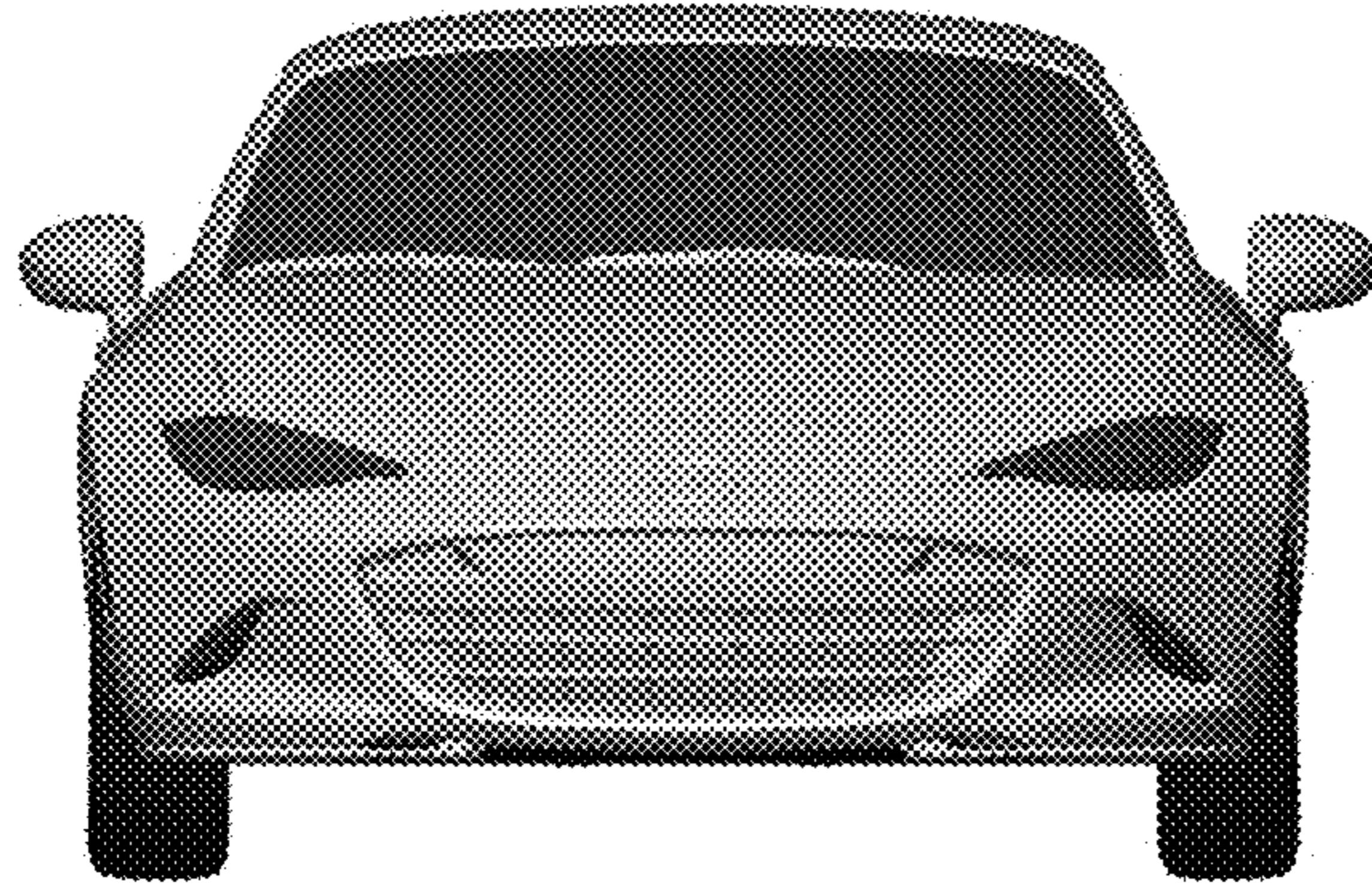


FIG.7

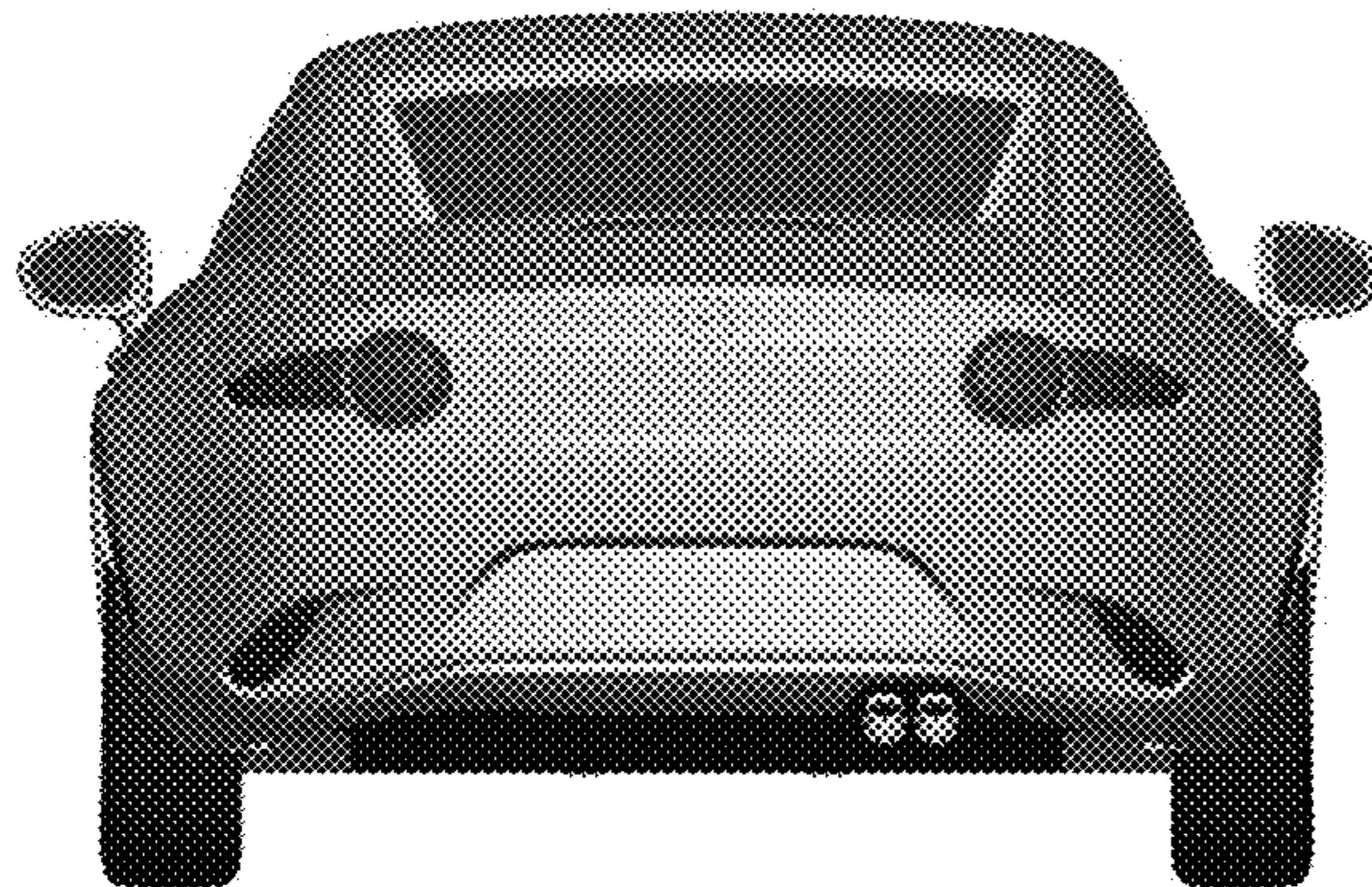


FIG.8

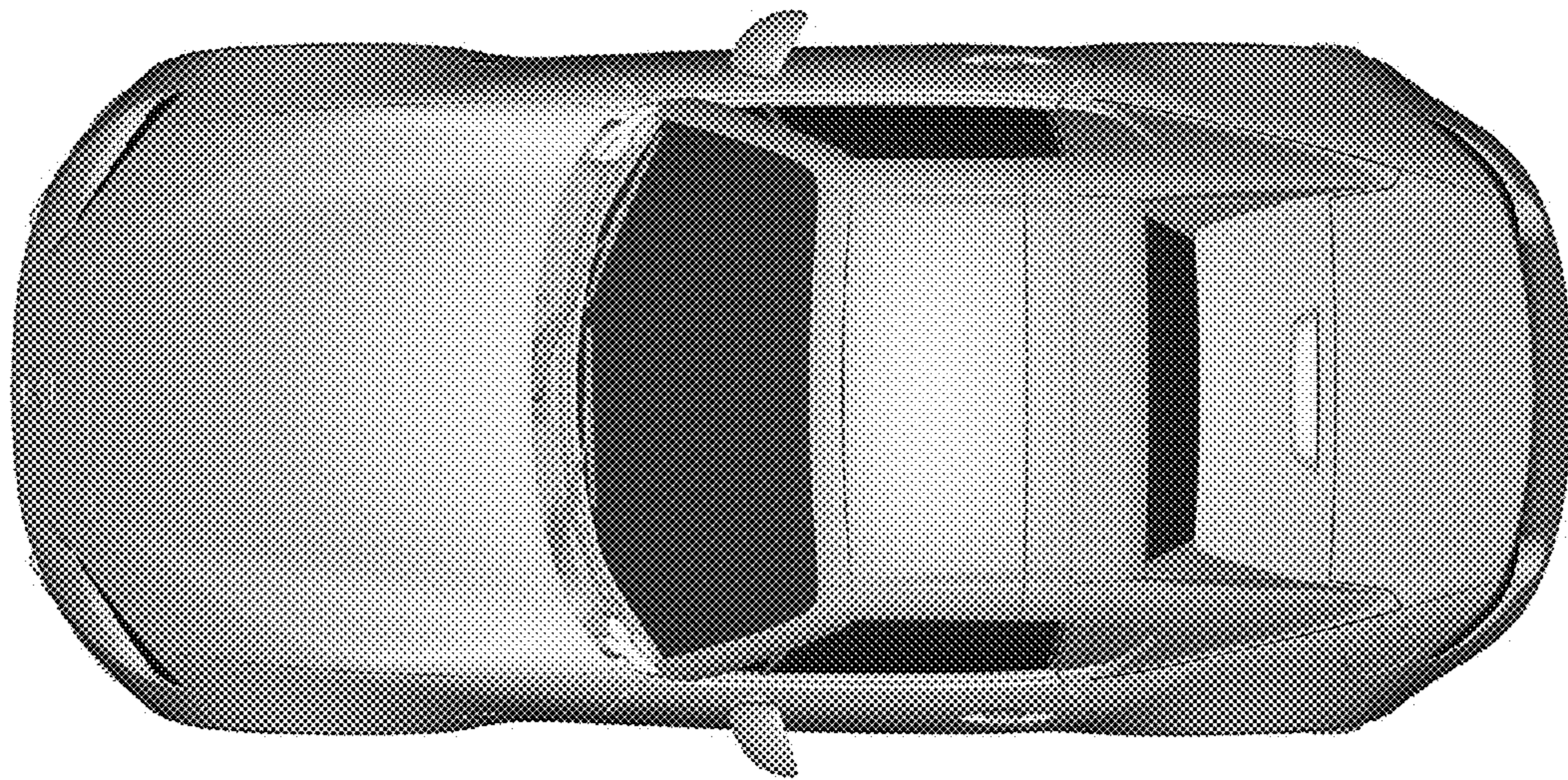


FIG.9