



US00D792808S

(12) **United States Design Patent**
Verneuil

(10) **Patent No.:** **US D792,808 S**
(45) **Date of Patent:** **** Jul. 25, 2017**

(54) **FLOWER AND PLANT BOX**

(71) Applicant: **VERITABLE**, Lyas (FR)

(72) Inventor: **Chloé Verneuil**, Caluire-et-Cuire (FR)

(73) Assignee: **VERITABLE**, Lyas (FR)

(**) Term: **15 Years**

(21) Appl. No.: **35/500,833**

(22) Filed: **Apr. 1, 2016**

(80) **Hague Agreement Data**

Int. Filing Date: **Apr. 1, 2016**

Int. Reg. No.: **DM/090062**

Int. Reg. Date: **Apr. 1, 2016**

Int. Reg. Pub. Date: **Apr. 15, 2016**

(51) **LOC (10) Cl.** **11-02**

(52) **U.S. Cl.**
USPC **D11/144**

(58) **Field of Classification Search**

USPC D11/143-147

CPC A01G 31/02; A01G 31/00; A01G 9/02;
A01G 9/05; A01G 9/021; A01G 9/023;
A01G 9/1026; A01G 9/1086; A01G
27/02; A01G 27/00; A01G 1/001

See application file for complete search history.

(56) **References Cited**

U.S. PATENT DOCUMENTS

D342,335 S * 12/1993 Bowlby D11/143
5,430,972 A * 7/1995 Wianecki A01G 9/02
47/66.6

D416,102 S * 11/1999 Schulman D11/144
D586,688 S * 2/2009 Bromley D11/144
D604,196 S * 11/2009 Bissonnette D11/144
D650,309 S * 12/2011 Hashimoto D11/143
8,261,486 B2 * 9/2012 Bissonnette A01G 27/003
47/59 R
D760,118 S * 6/2016 Lepp D11/142
D767,638 S * 9/2016 Kuge D11/144
2006/0272210 A1 * 12/2006 Bissonnette A01G 31/02
47/69

OTHER PUBLICATIONS

<https://www.kickstarter.com/projects/veritable-potager/veritable-the-autonomous-indoor-garden>[Mar. 14, 2017 2:21:56 PM].*

* cited by examiner

Primary Examiner — Michael A Pratt

(74) *Attorney, Agent, or Firm* — Cantor Colburn LLP

(57) **CLAIM**

The ornamental design of a flower and plant box, as shown and described.

DESCRIPTION

1. Flower and plant box

1.1 : Perspective

1.2 : Front

1.3 : Left

1.4 : Back

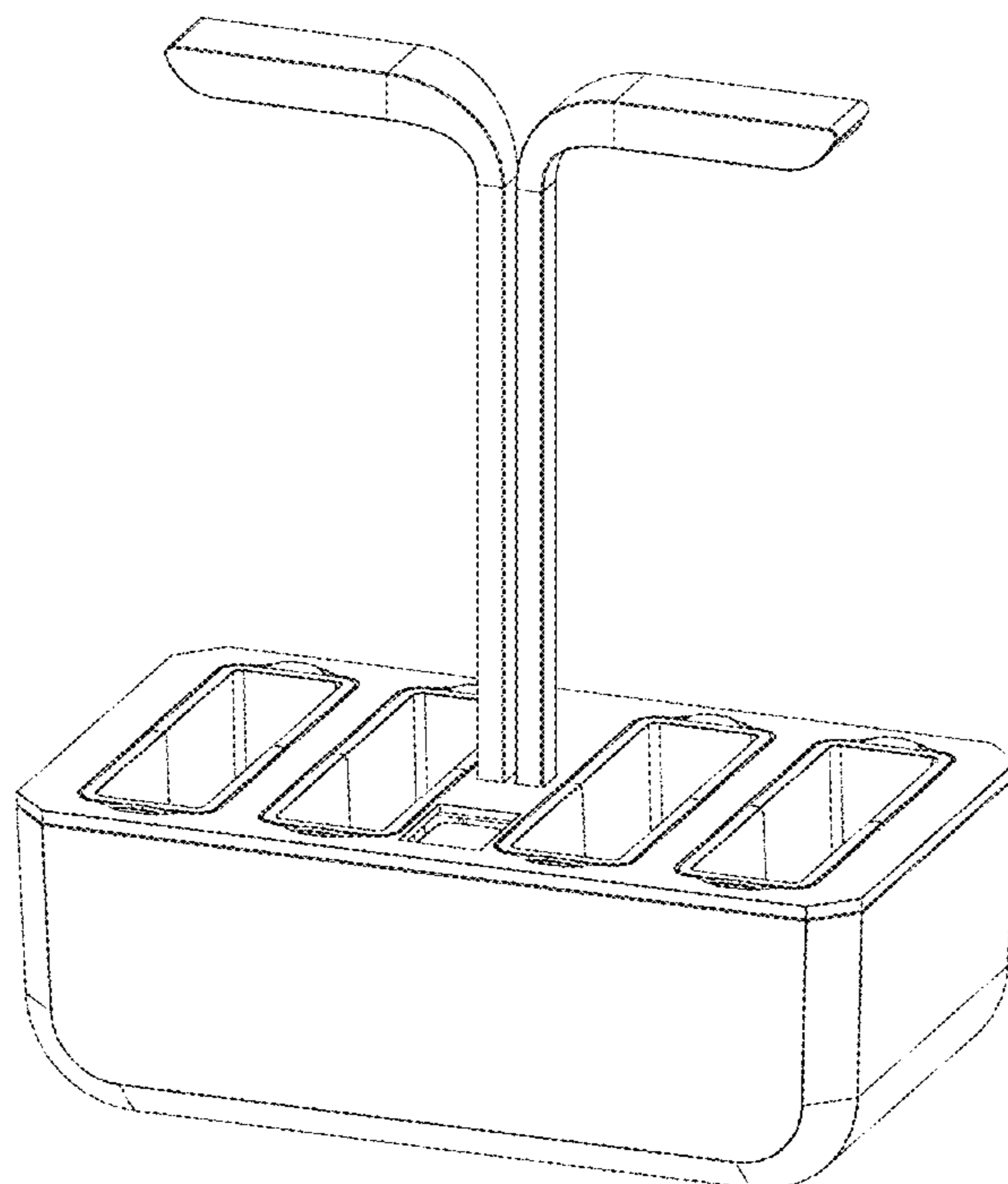
1.5 : Right

1.6 : Top

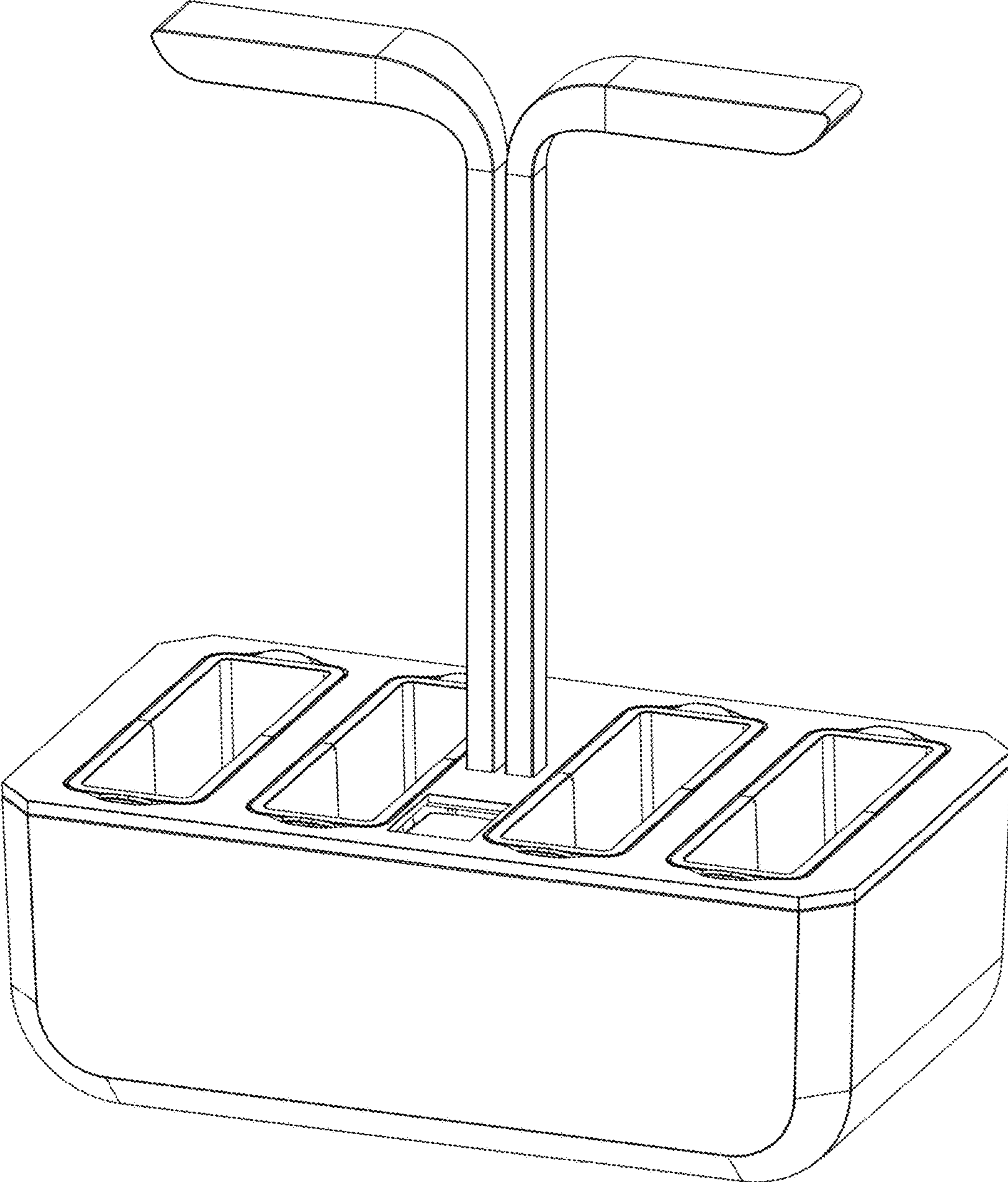
1.7 : Bottom

The design consists of a box comprising various compartments for holding plants or flowers and surmounted by a support incorporating a lamp.

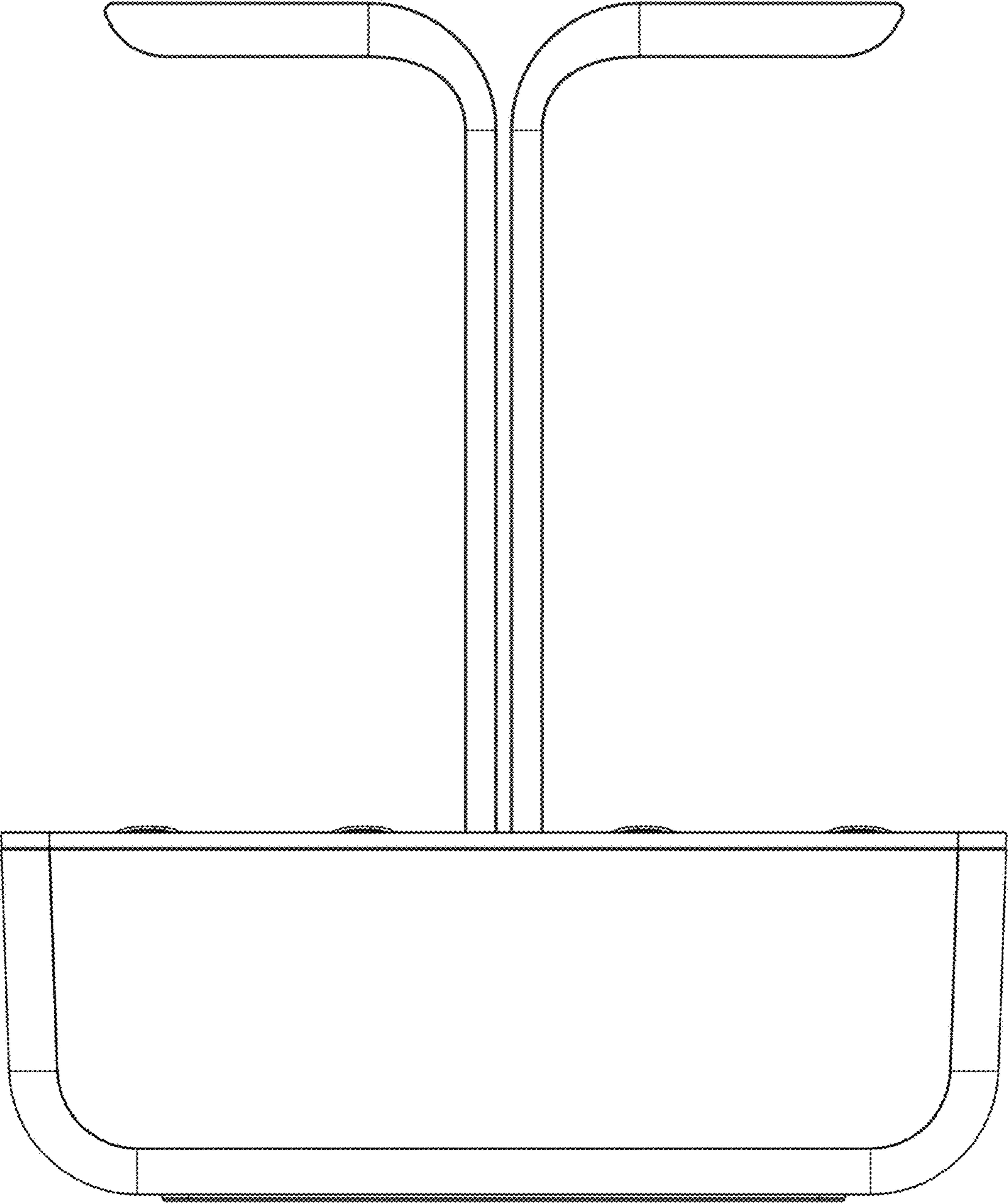
1 Claim, 7 Drawing Sheets



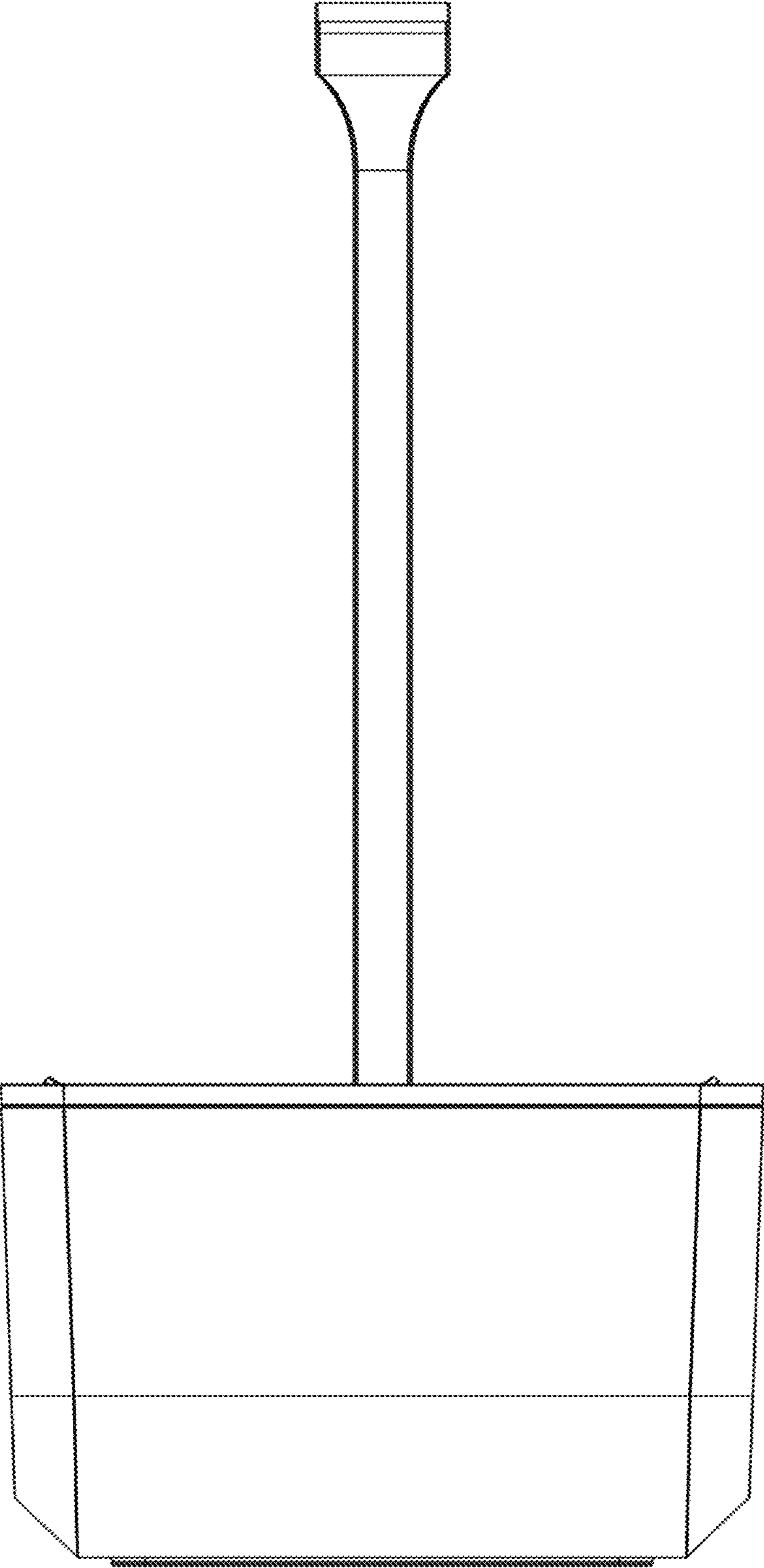
1.1



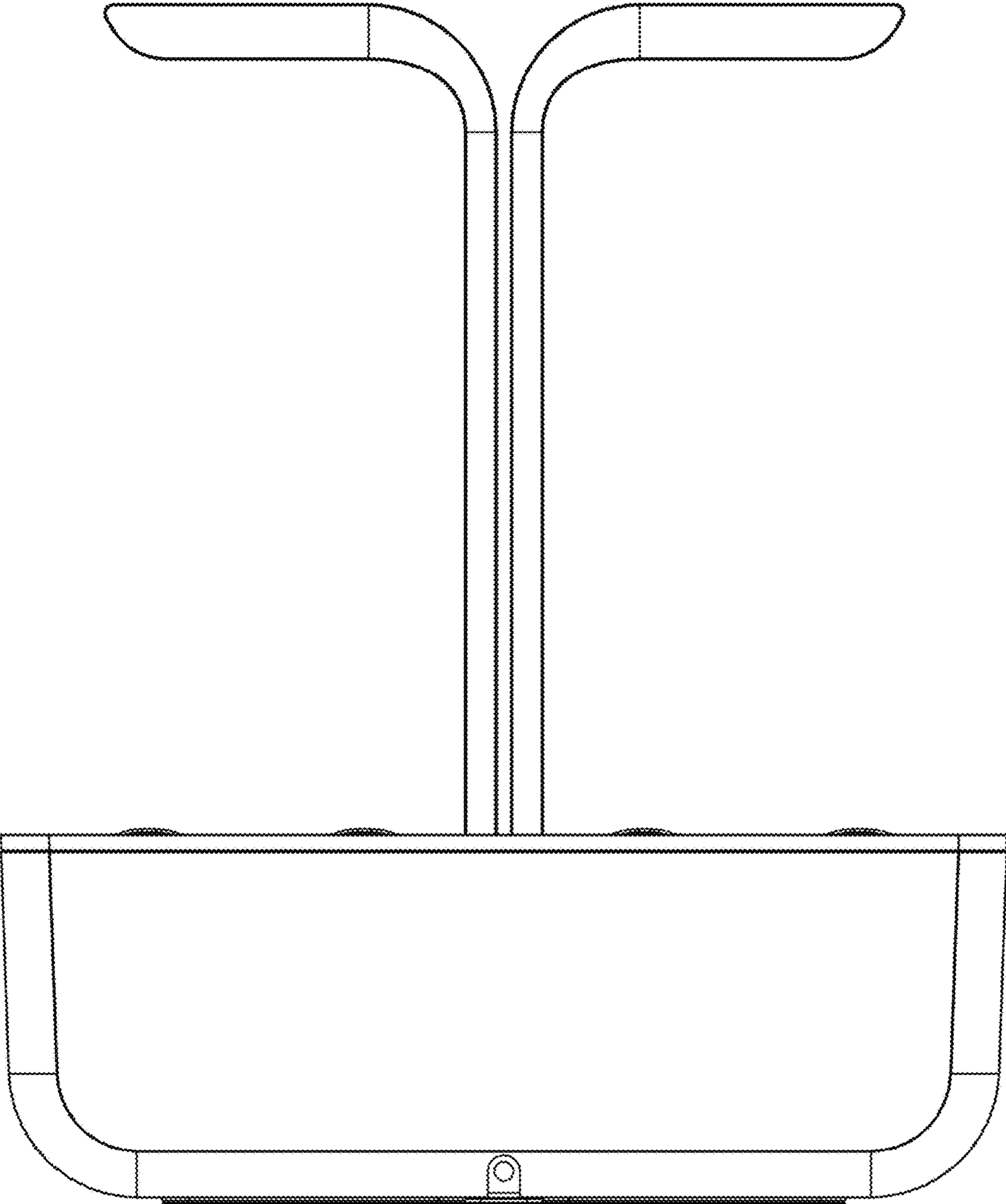
1.2



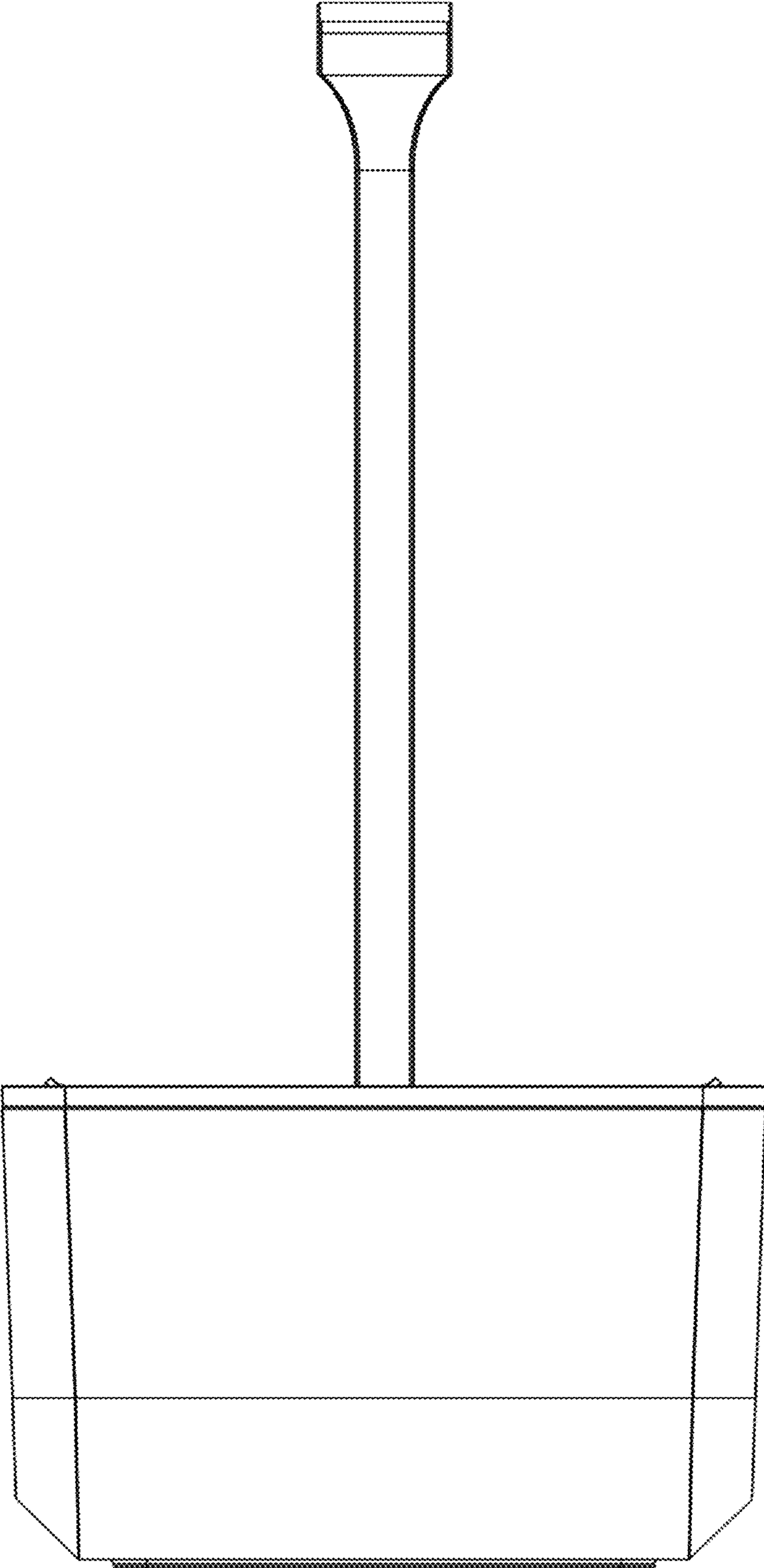
1.3



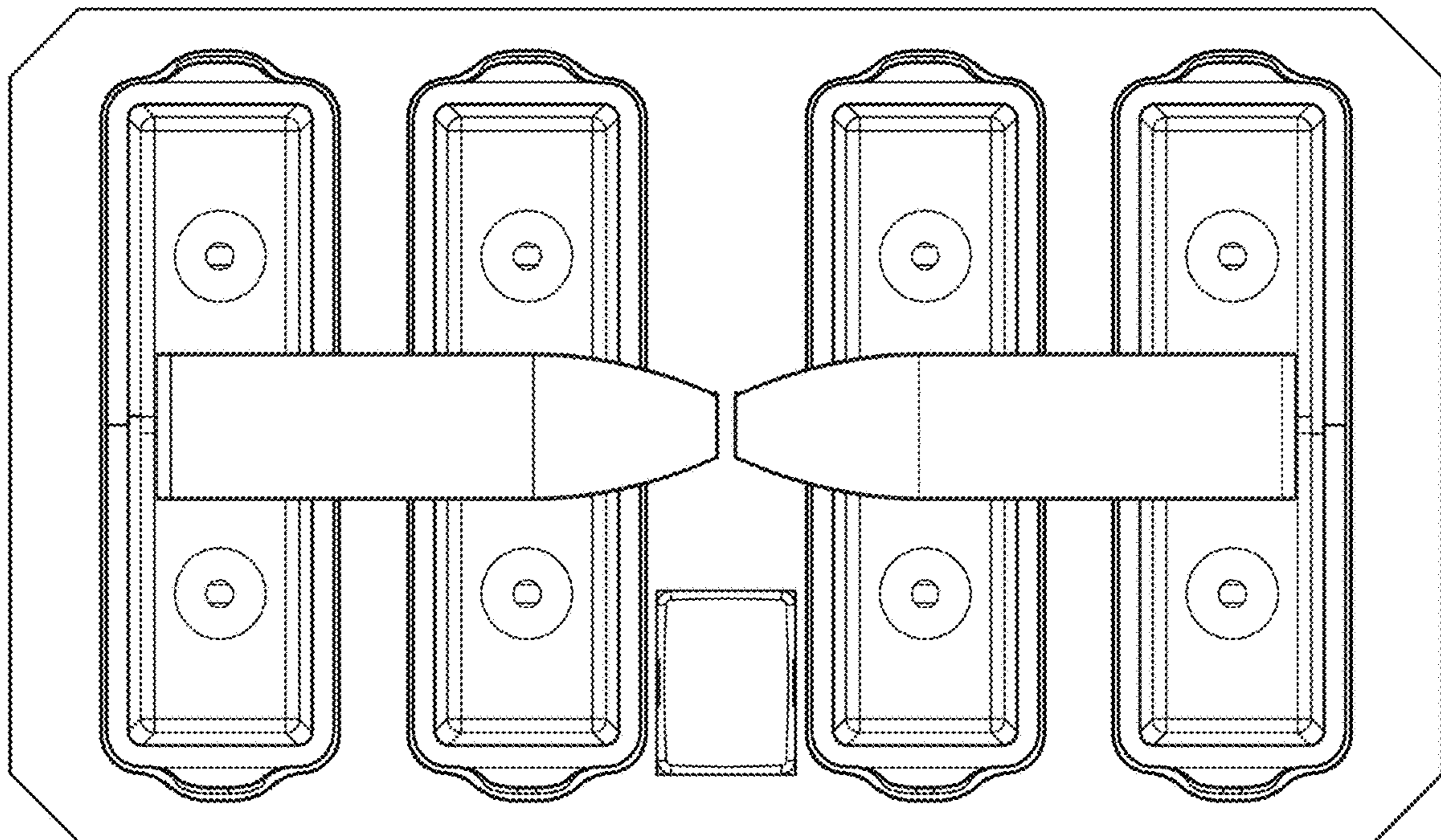
1.4



1.5



1.6



1.7

