



US00D792807S

(12) **United States Design Patent**
Bryan, III

(10) **Patent No.:** **US D792,807 S**
(45) **Date of Patent:** **** Jul. 25, 2017**

(54) **HYDROPONIC PLANT CULTIVATING APPARATUS**

(71) Applicant: **TOWER GARDEN, LLC**, Collierville, TN (US)

(72) Inventor: **Morris Bryan, III**, Anderson, SC (US)

(**) Term: **15 Years**

(21) Appl. No.: **29/546,629**

(22) Filed: **Nov. 24, 2015**

(51) **LOC (10) Cl.** **11-02**

(52) **U.S. Cl.**
USPC **D11/144**

(58) **Field of Classification Search**
USPC D11/143, 144
CPC A01G 31/00; A01G 31/06; A01G 27/005;
A01G 9/023; A01G 31/02; Y02P 60/216
See application file for complete search history.

(56) **References Cited**

U.S. PATENT DOCUMENTS

- 875,235 A * 12/1907 Bastel A01G 9/022
47/82
- 2,062,755 A * 12/1936 Lyons A01G 31/02
47/62 C
- 4,006,559 A * 2/1977 Carlyon, Jr. A01G 9/023
137/575
- 4,033,072 A * 7/1977 Kobayashi A01G 31/06
47/62 R
- D247,165 S * 2/1978 Hart 47/59 R

(Continued)

FOREIGN PATENT DOCUMENTS

- CA 2448782 A1 * 2/2005 A01G 31/02
- CN 201624046 U 11/2010

(Continued)

OTHER PUBLICATIONS

International Search Report, dated May 12, 2016, three pages.

Primary Examiner — Caron D Veynar

Assistant Examiner — Laura Yu

(74) *Attorney, Agent, or Firm* — Eric B. Fugett; Waller Lansden Dortch & Davis, LLP

(57) **CLAIM**

I claim the ornamental design for a “hydroponic plant cultivating apparatus,” as shown and described.

DESCRIPTION

FIG. 1 is the front perspective view showing a hydroponic plant cultivating apparatus showing my new design.

FIG. 2 is a front elevation view of the hydroponic plant cultivating apparatus of FIG. 1.

FIG. 3 is a right side elevation view of the hydroponic plant cultivating apparatus of FIG. 1.

FIG. 4 is a back elevation view of the hydroponic plant cultivating apparatus of FIG. 1.

FIG. 5 is a left side elevation view of the hydroponic plant cultivating apparatus of FIG. 1.

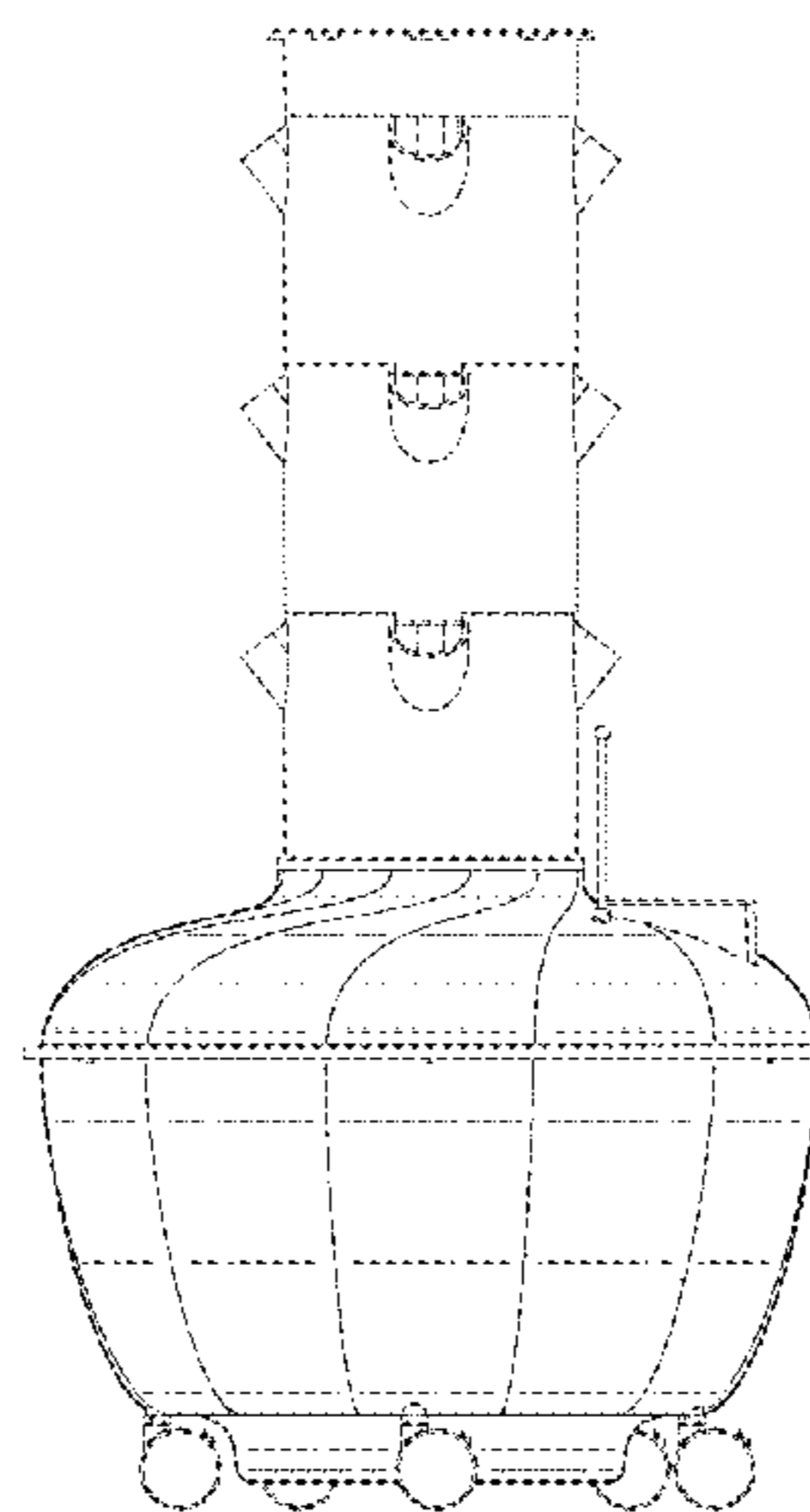
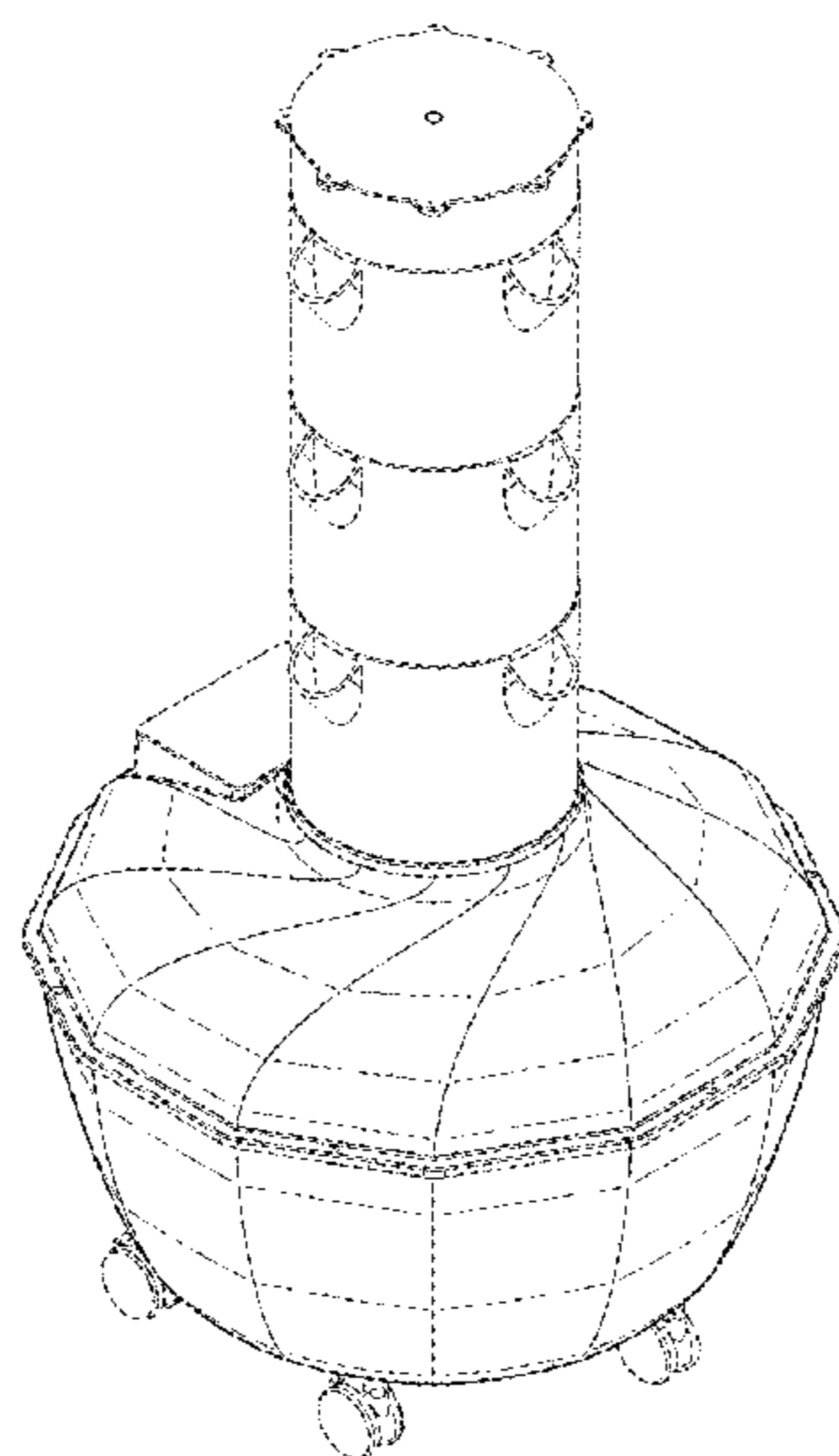
FIG. 6 is a top view of the hydroponic plant cultivating apparatus of FIG. 1.

FIG. 7 is a bottom view of the hydroponic plant cultivating apparatus of FIG. 1; and,

FIG. 8 shows a front perspective view of another embodiment of a hydroponic plant cultivating apparatus of the Applicant’s invention.

In the Figures, the dashed lines on the body of the hydroponic plant cultivating system are shown to define boundaries of various features that are not part of the claimed design. The area within the dashed lines are also not part of the claimed design. The dashed lines for the wheels beneath the hydroponic plant cultivating apparatus are shown for environmental purposes and form no part of the claimed design.

1 Claim, 7 Drawing Sheets



(56)

References Cited

U.S. PATENT DOCUMENTS

4,218,847 A * 8/1980 Leroux A01G 31/06
47/59 R
D262,274 S * 12/1981 Lahr 47/82
D278,614 S * 4/1985 Moss D11/143
4,756,120 A * 7/1988 Arledge A01G 31/06
47/59 R
4,918,861 A * 4/1990 Carpenter A01G 31/001
47/59 R
4,986,027 A * 1/1991 Harvey A01G 9/026
47/59 R
5,276,997 A * 1/1994 Swearingin A01G 9/022
47/48.5
5,285,595 A * 2/1994 Shirato A01G 31/00
47/62 N
D347,170 S * 5/1994 Due D9/711
5,363,594 A * 11/1994 Davis A01G 9/022
47/82
5,438,797 A * 8/1995 Lendel A01G 9/023
47/39
5,440,836 A * 8/1995 Lee A01G 31/06
47/59 R
5,555,676 A * 9/1996 Lund A01G 9/022
47/82
6,408,570 B1 * 6/2002 Shih A01G 31/02
47/79

6,477,805 B2 * 11/2002 Ware A01G 31/02
47/83
7,055,282 B2 * 6/2006 Bryan, III A01G 31/06
47/62 R
7,516,574 B2 * 4/2009 Gottlieb A01G 9/023
47/62 R
D653,156 S * 1/2012 Phelps D11/143
D760,622 S * 7/2016 Ogden D11/143
2014/0115960 A1 * 5/2014 Kantola A01G 31/00
47/66.7
2015/0250114 A1 * 9/2015 Storey A01G 9/047
47/59 R
2015/0342127 A1 * 12/2015 Gallant A01G 9/02
47/20.1

FOREIGN PATENT DOCUMENTS

CN 203105262 U 8/2013
CN 104025996 A 9/2014
CN 204579388 U 8/2015
EP 0301362 A1 1/1989
FR 2912034 A1 * 8/2008 A01G 31/02
GB 2147484 A 5/1985
JP CA 2530007 A1 * 12/2004 A01G 31/02
JP WO 2011145619 A1 * 11/2011 A01G 31/02
JP 5232929 B1 7/2013
RU 2163755 C1 * 3/2001 A01G 31/02
WO WO 2016081711 A2 * 5/2016 A01G 9/022

* cited by examiner

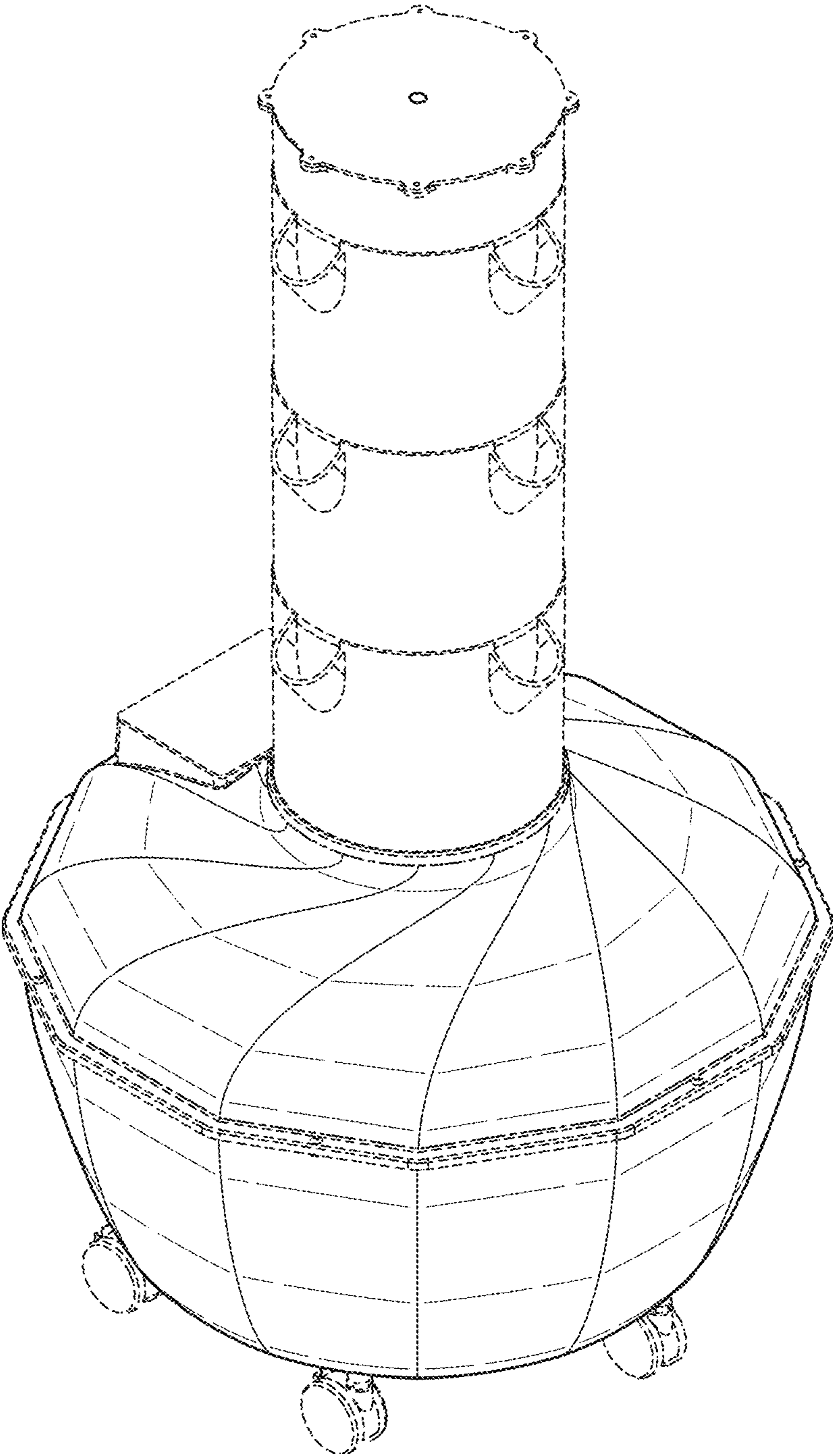


FIG 1

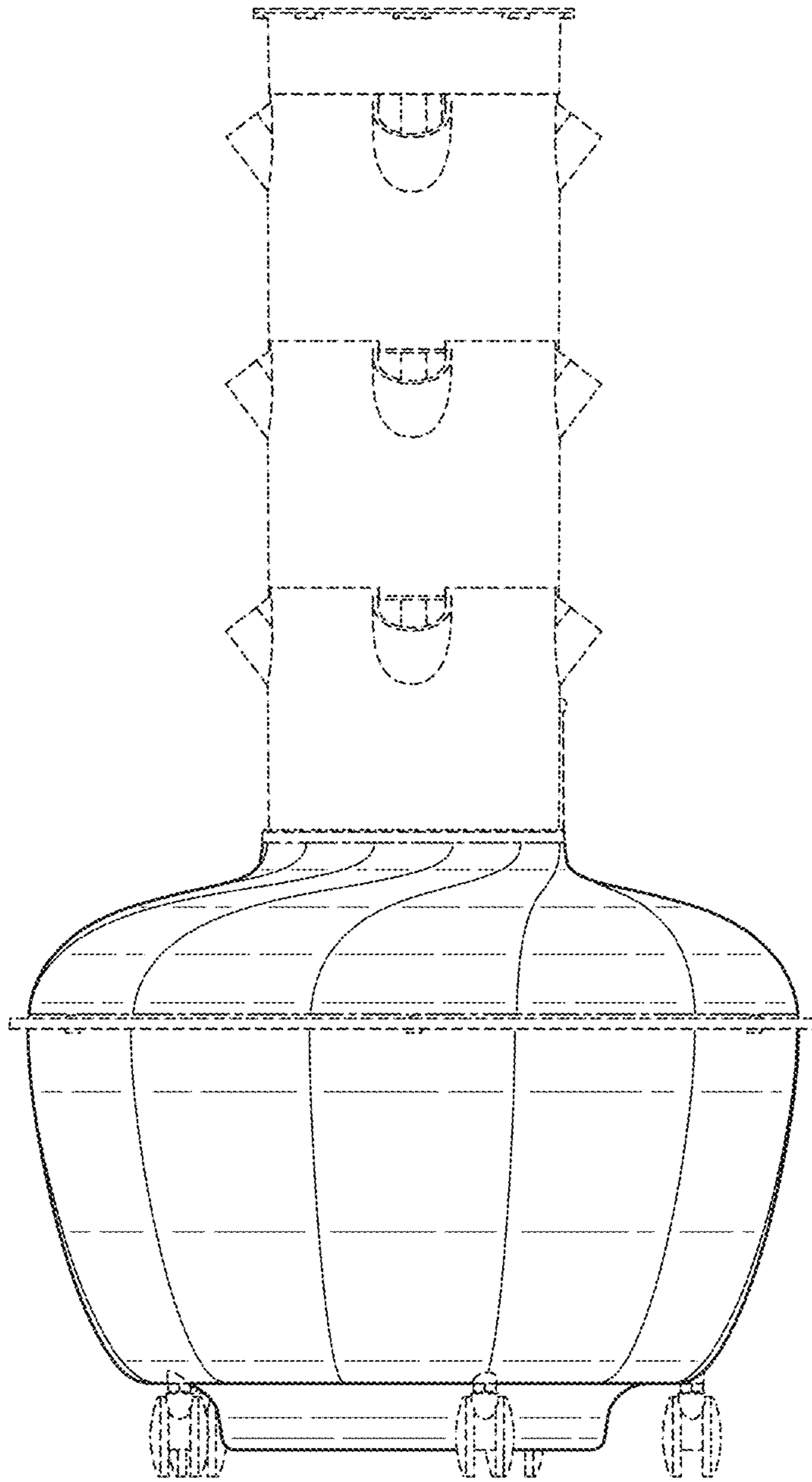


FIG 2

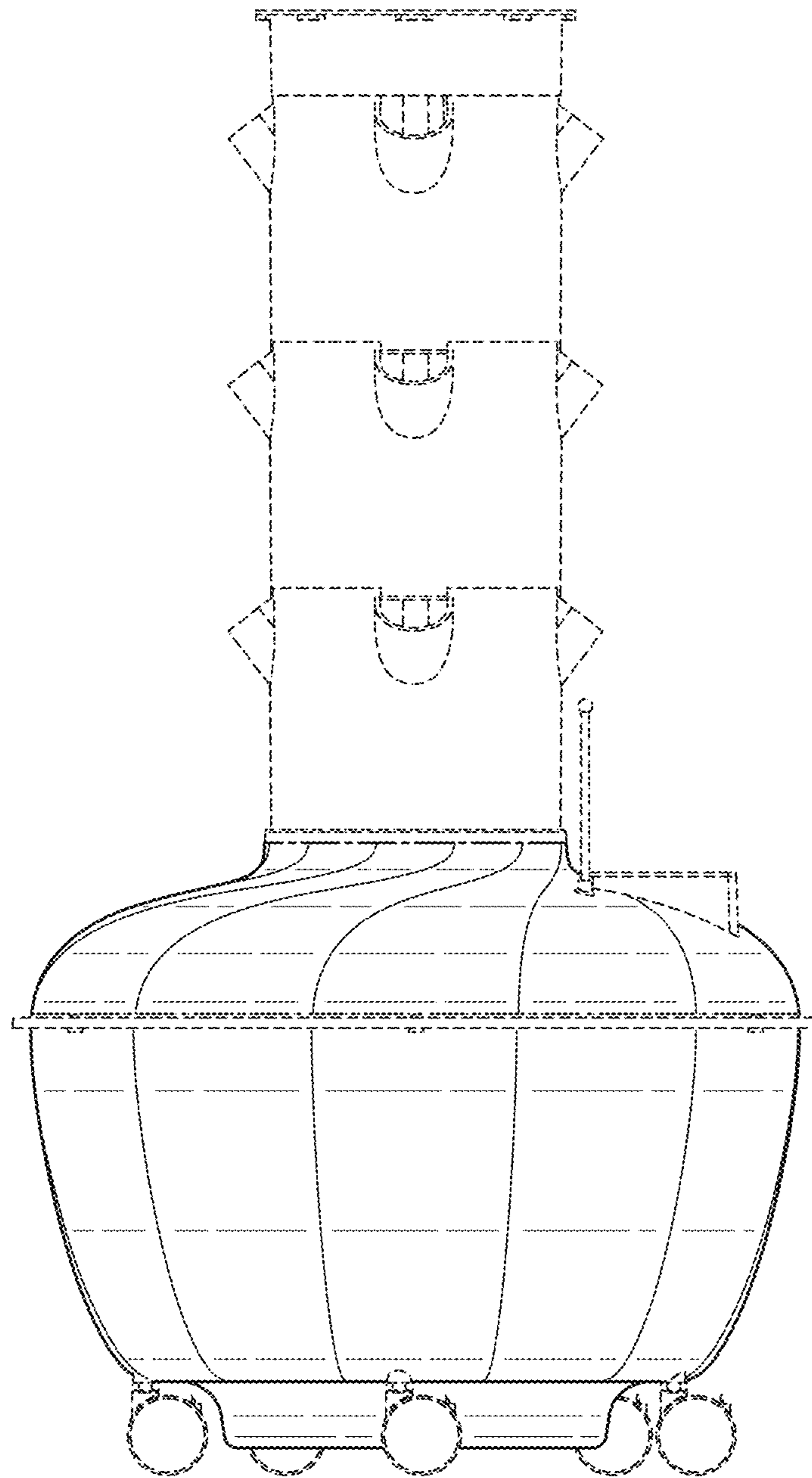


FIG 3

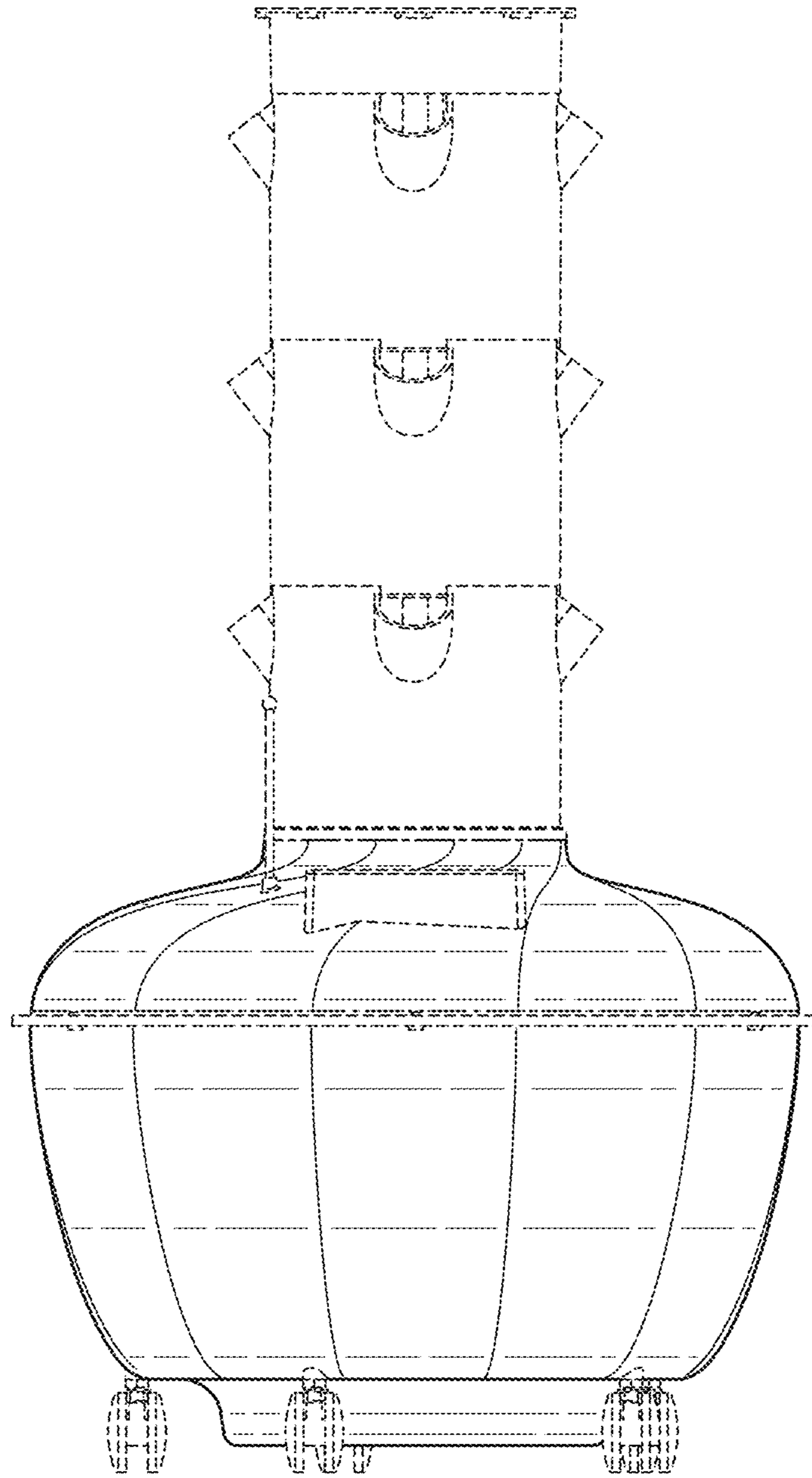


FIG 4

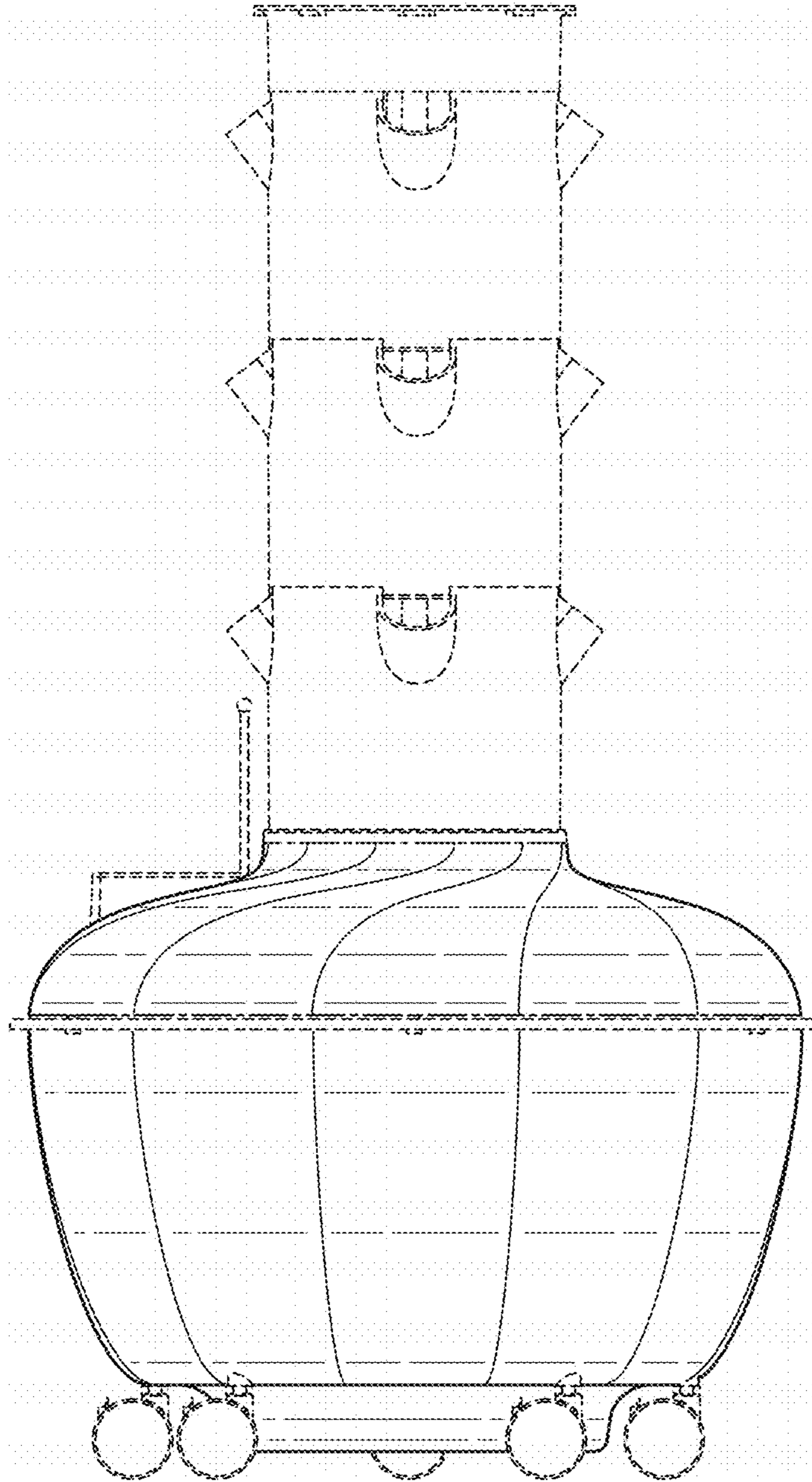


FIG. 5

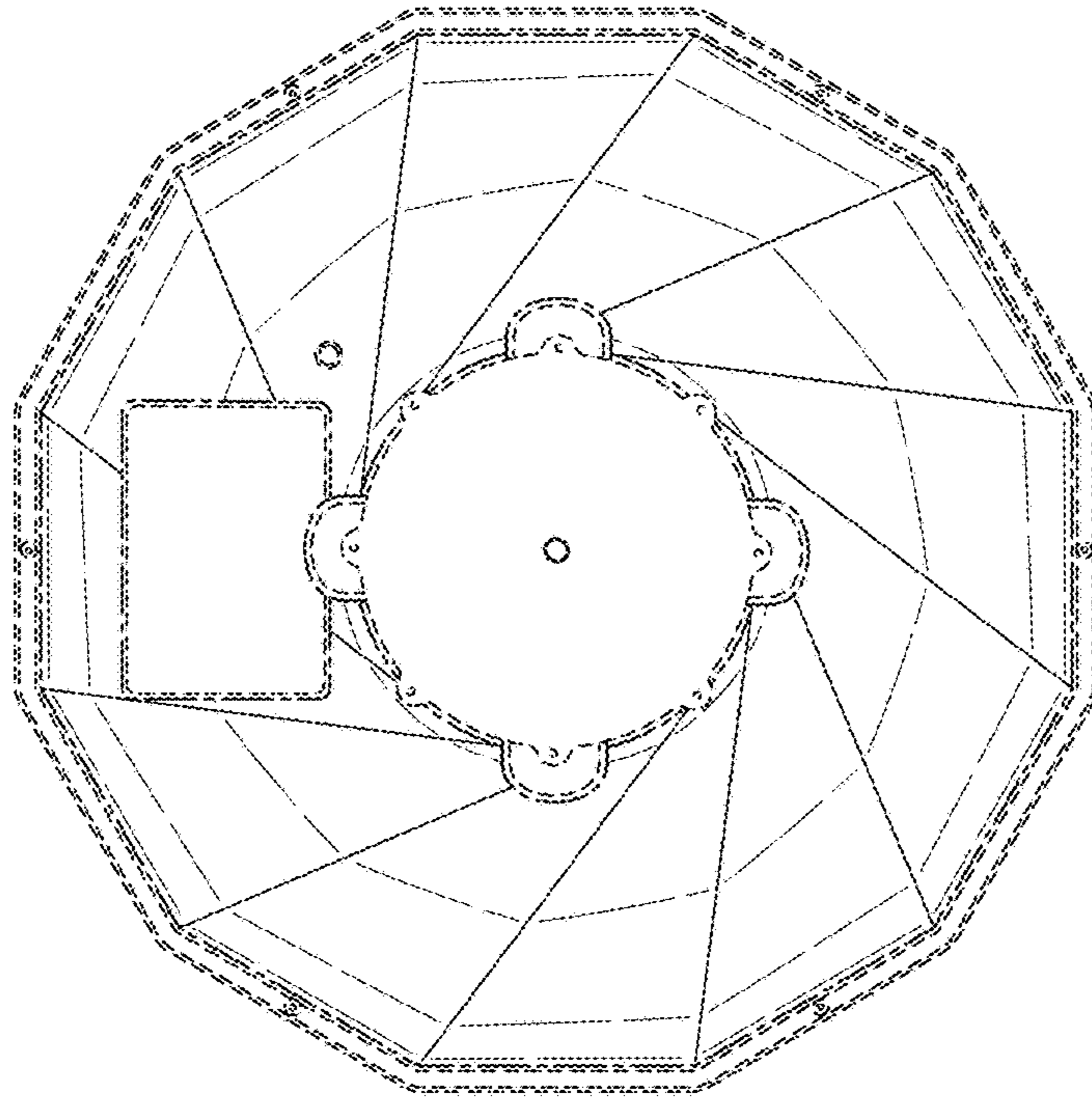


FIG. 6

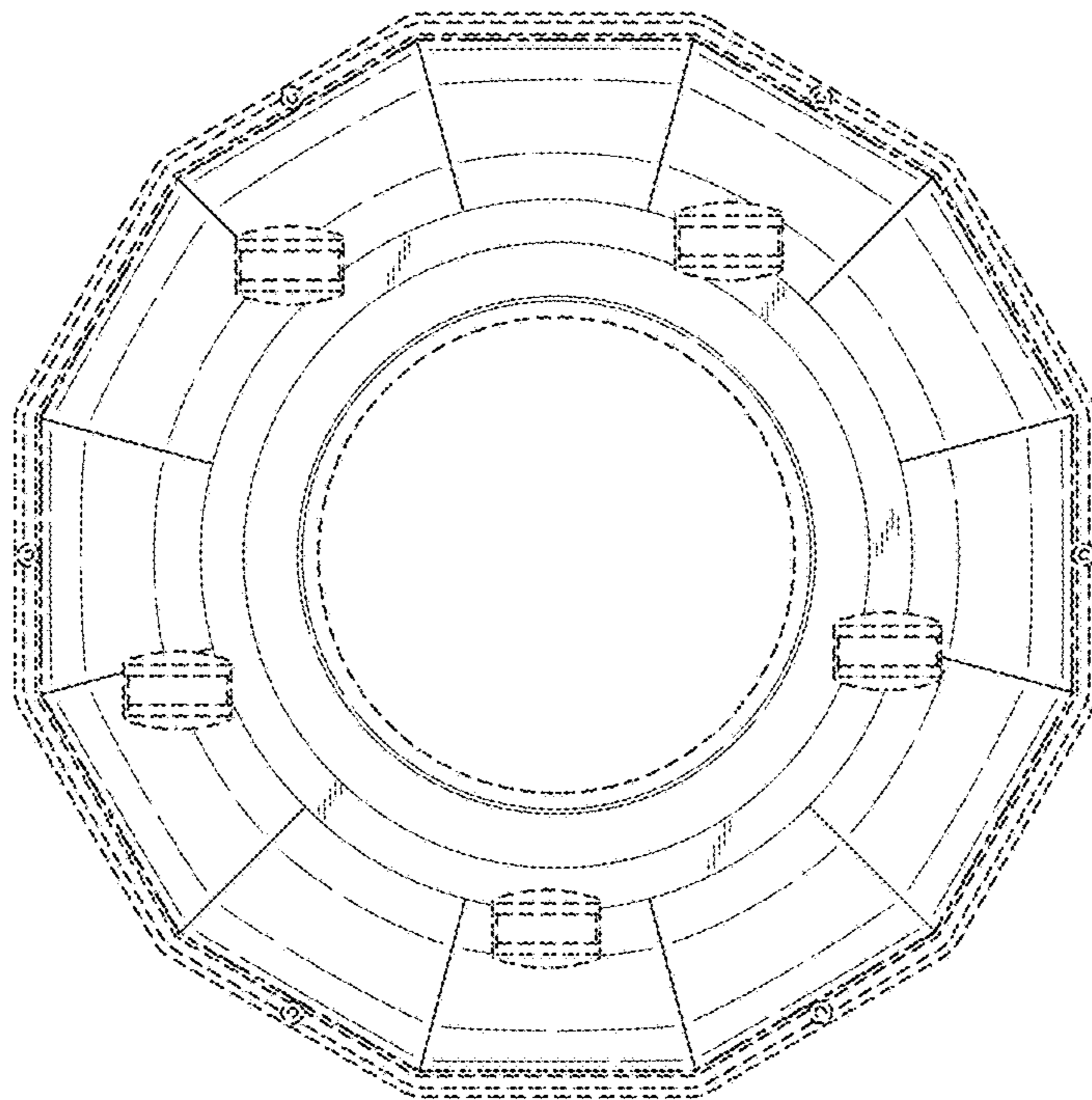


FIG. 7

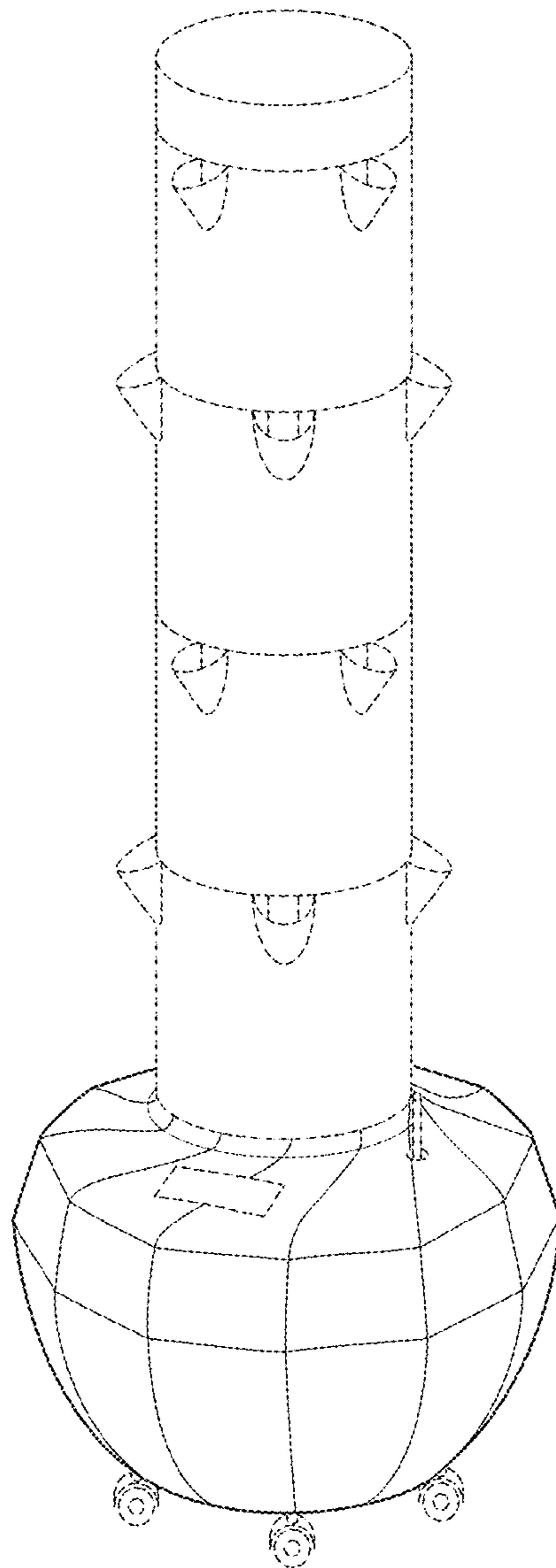


FIG. 8