



US00D792806S

(12) **United States Design Patent** (10) **Patent No.:** **US D792,806 S**
Healy (45) **Date of Patent:** **** Jul. 25, 2017**

- (54) **ICE SKATING AWARD PLAQUE**
- (71) Applicant: **Kevin J. Healy**, Osterville, MA (US)
- (72) Inventor: **Kevin J. Healy**, Osterville, MA (US)
- (**) Term: **15 Years**
- (21) Appl. No.: **29/566,599**
- (22) Filed: **Jun. 1, 2016**
- (51) **LOC (10) Cl.** **11-02**
- (52) **U.S. Cl.**
USPC **D11/133**
- (58) **Field of Classification Search**
USPC D11/131-133, 157, 184, 99; D21/761,
D21/762; D29/102-107, 122;
D2/870-878; D6/300, 303, 552, 553
CPC A63F 7/0616; A63B 71/081; A63B 71/10;
A42B 3/00; A47G 1/12
See application file for complete search history.

D481,762 S * 11/2003 Nemazi D20/13
 D754,026 S * 4/2016 Healy D11/133
 2016/0345765 A1* 12/2016 Poirier A47G 33/004

OTHER PUBLICATIONS

Ice Skating Trophy (Nate Sanders Auctions), available Feb. 27, 2014, [online], [site visited Mar. 3, 2017]. Available from internet, <URL: <http://natedsanderson.com/olympian-skater-peggy-fleming-signed-ice-skate-----lot25669.aspx>.*

* cited by examiner

Primary Examiner — Cathron Brooks
Assistant Examiner — Teddy Falloway
 (74) *Attorney, Agent, or Firm* — Michael R. Philips

(57) **CLAIM**

The ornamental design for an ice skating award plaque, as shown and described.

(56) **References Cited**

U.S. PATENT DOCUMENTS

- D211,031 S * 5/1968 Eddy D11/136
- D234,433 S * 3/1975 Zivica D11/133
- D330,525 S * 10/1992 Grindley, Jr. D11/132
- D354,455 S * 1/1995 Hosker D11/132
- D356,977 S * 4/1995 Roethler D11/132
- D360,056 S * 7/1995 Tamez D11/133
- D405,720 S * 2/1999 Sain D11/133
- D417,950 S * 12/1999 Cosentino D3/211
- D423,795 S * 5/2000 Krohn D6/303
- 6,170,185 B1 * 1/2001 Donofrio, Jr. A47G 25/10
211/30

DESCRIPTION

FIG. 1 is a perspective view of the ice skating award plaque according to the invention.
 FIG. 2 is a front elevation view thereof.
 FIG. 3 is a right side elevation view thereof.
 FIG. 4 is a left side elevation view thereof.
 FIG. 5 is a top plan view thereof; and,
 FIG. 6 is a bottom plan view thereof.
 The broken lines shown in FIGS. 1-5 represent stitching and form part of the claimed design.

1 Claim, 4 Drawing Sheets



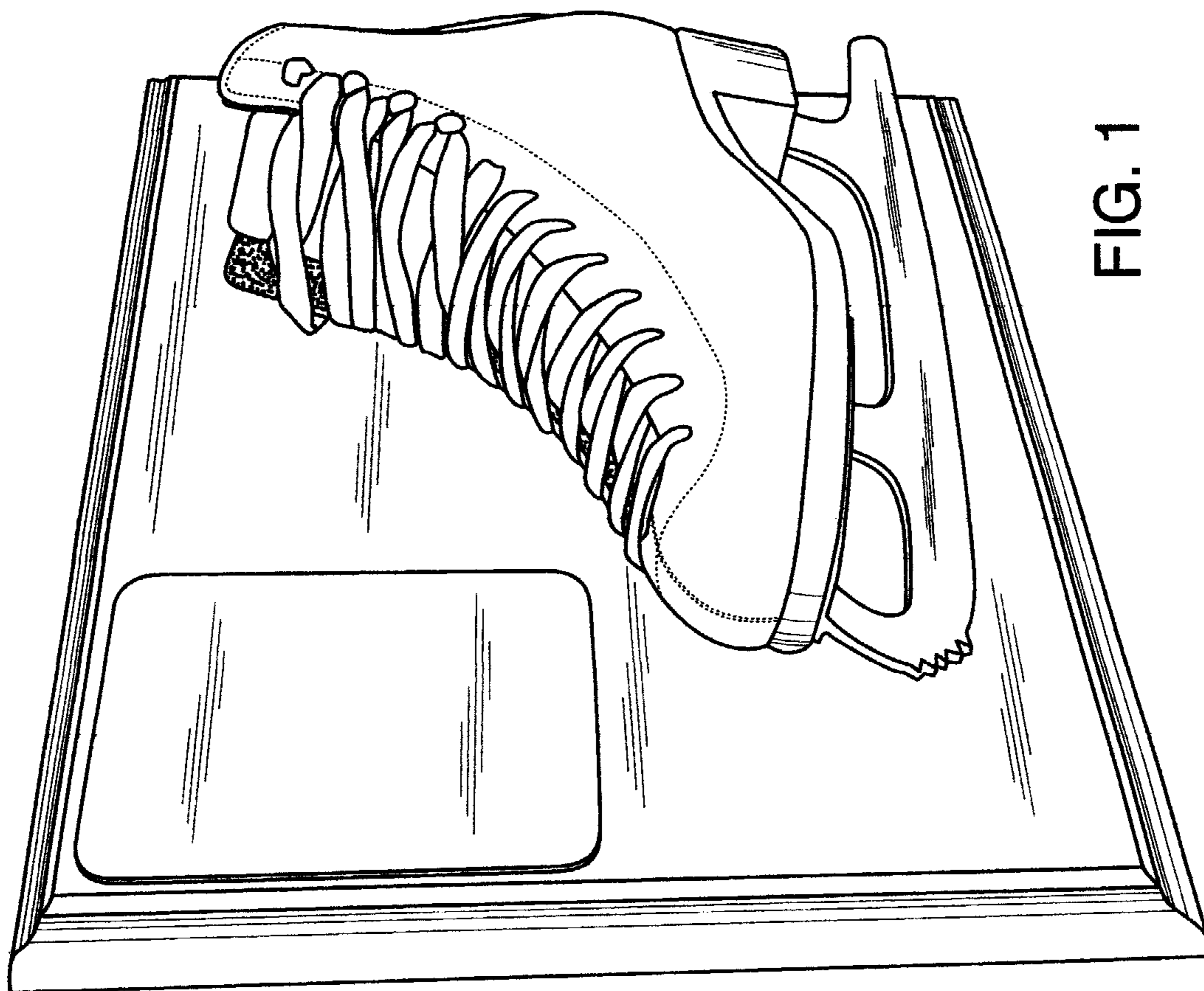


FIG. 1

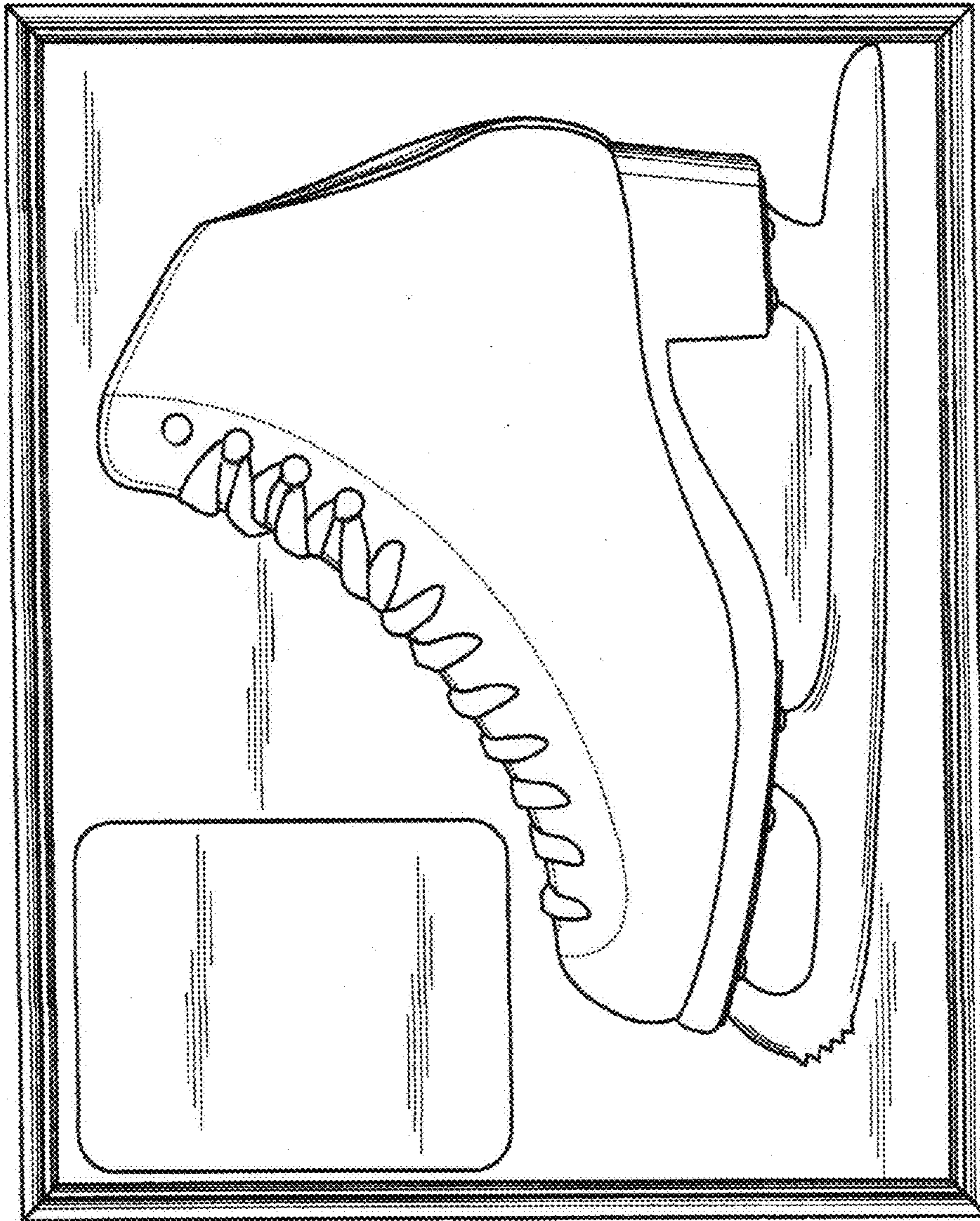


FIG. 2

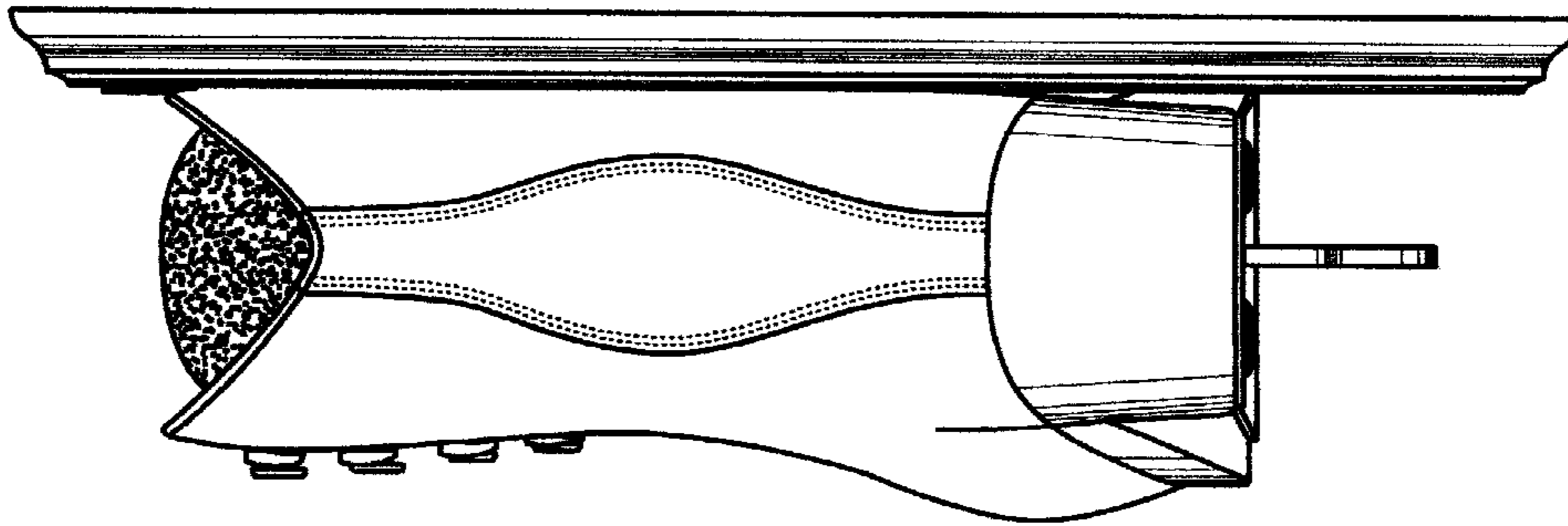


FIG. 4

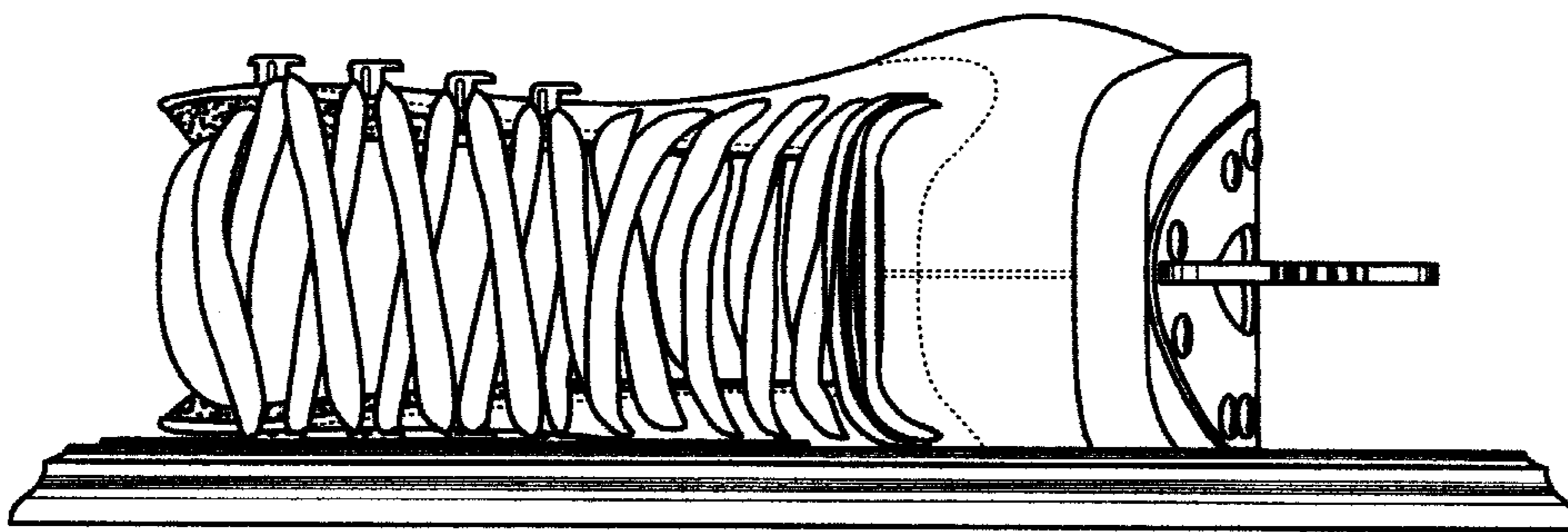


FIG. 3

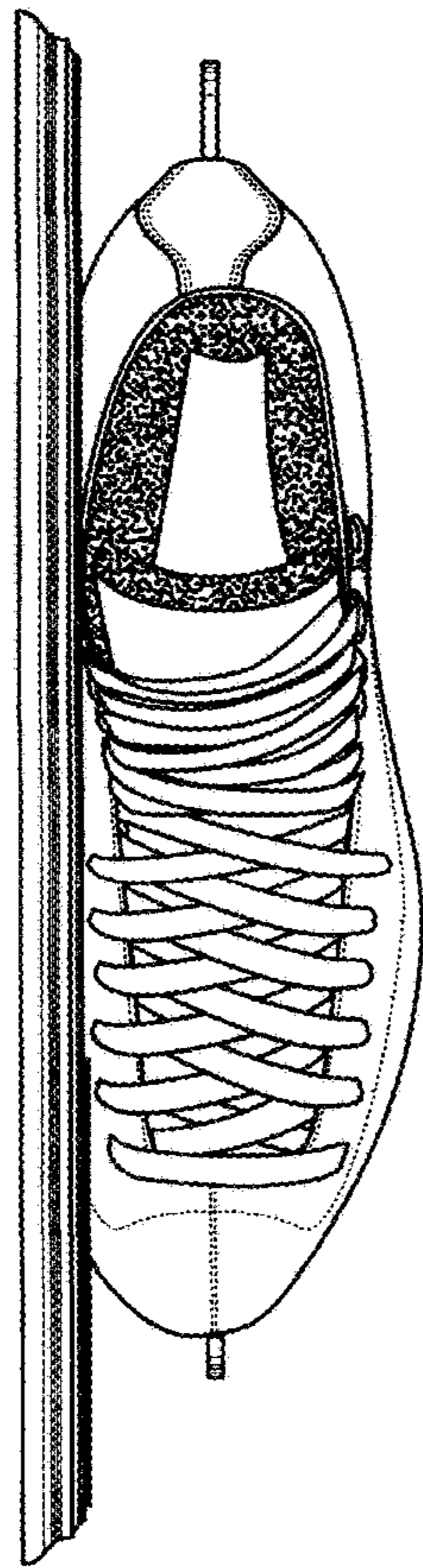


FIG. 5

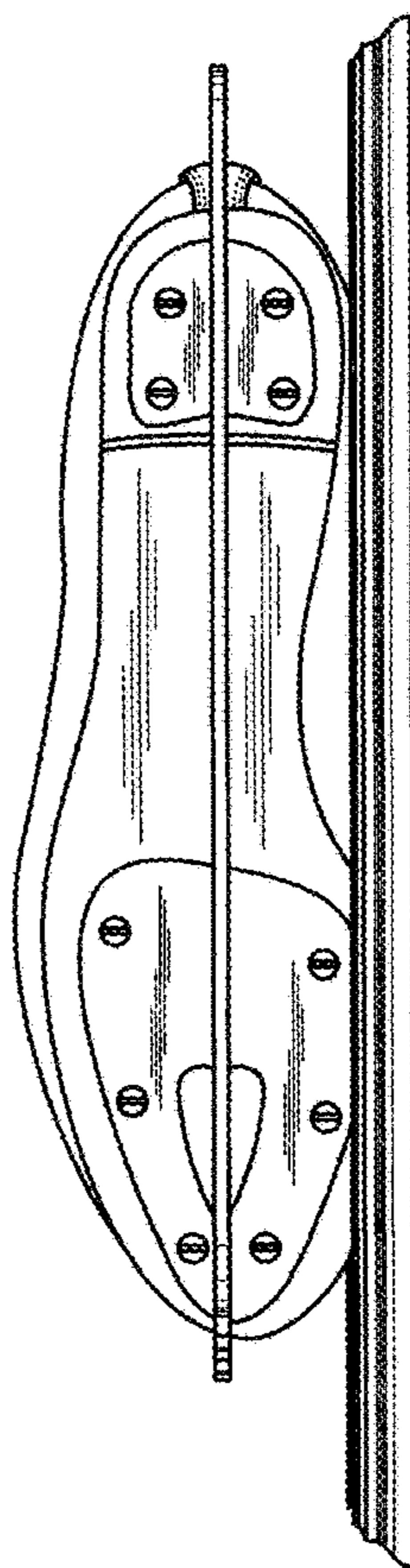


FIG. 6