



US00D792800S

(12) **United States Design Patent**  
**Kwon**

(10) **Patent No.:** **US D792,800 S**

(45) **Date of Patent:** **\*\* Jul. 25, 2017**

(54) **RING**

(71) Applicant: **HARRY WINSTON SA,**  
Plan-les-Ouates (CH)

(72) Inventor: **Chaeree Kwon,** Brooklyn, NY (US)

(73) Assignee: **HARRY WINSTON SA,**  
Plan-les-Ouates (CH)

(\*\*) Term: **15 Years**

(21) Appl. No.: **29/572,753**

(22) Filed: **Jul. 29, 2016**

(30) **Foreign Application Priority Data**

Jan. 29, 2016 (WO) ..... DM/089 200

(51) **LOC (10) Cl.** ..... **11-01**

(52) **U.S. Cl.**  
USPC ..... **D11/34**

(58) **Field of Classification Search**  
USPC ..... D11/1, 2, 26-39, 40-4, 79-86, 91, 924;  
63/26-28

CPC ..... A44C 9/00; A44C 9/0007; A44C 9/0015;  
A44C 9/0023; A44C 9/003; A44C  
9/0038; A44C 9/0046; A44C 9/0053;  
A44C 9/0061; A44C 9/0069; A44C  
9/0076; A44C 17/02; A44C 17/0208;  
A44C 17/0216; A44C 17/0225; A44C  
17/0233; A44C 17/0241; A44C 17/025;  
A44C 17/0258; A44C 17/0266; A44C  
17/0275; A44C 17/0283; A44C 17/0291

See application file for complete search history.

(56) **References Cited**

**U.S. PATENT DOCUMENTS**

1,325,840 A \* 12/1919 Feagans ..... A44C 9/00  
63/15  
1,822,392 A \* 9/1931 Esterman ..... A44C 9/02  
63/15.4

D537,376 S \* 2/2007 Gorrie ..... D11/34  
D538,700 S \* 3/2007 Stipek ..... D11/36  
D581,308 S \* 11/2008 Fernandez ..... D11/34  
D780,028 S \* 2/2017 Yatsugi-Kang ..... D11/34  
D780,030 S \* 2/2017 Yatsugi-Kang ..... D11/34  
2005/0199007 A1\* 9/2005 LaCroix ..... A44C 17/02  
63/28  
2009/0071192 A1\* 3/2009 Bauman ..... A44C 9/00  
63/15  
2017/0049195 A1\* 2/2017 Dholakiya ..... A44C 17/02

**OTHER PUBLICATIONS**

[Online] "HW Logo Rose Gold Diamond Ring by Harry Winston"  
<http://www.harrywinston.com/en/hw-logo-rose-gold-diamond-ring-harry-winston>. Retrieved Apr. 25, 2017.\*

[Online] <https://diamondsource-diamondsource.netdna-ssl.com/wp-content/uploads/2015/02/14kt-White-Gold-Channel-Set-Diamond-Wedding-Band-1.05ct-Diamonds-BN-17612.jpg>. Retrieved Apr. 25, 2017.\*

\* cited by examiner

*Primary Examiner* — Melanie Pellegrini

(74) *Attorney, Agent, or Firm* — Donald J. Ranft; Collen IP

(57) **CLAIM**

The ornamental design for a ring, as shown.

**DESCRIPTION**

FIG. 1 is a front perspective view of a ring showing my new design;

FIG. 2 is a front view thereof;

FIG. 3 is a rear view thereof;

FIG. 4 is a left side view thereof;

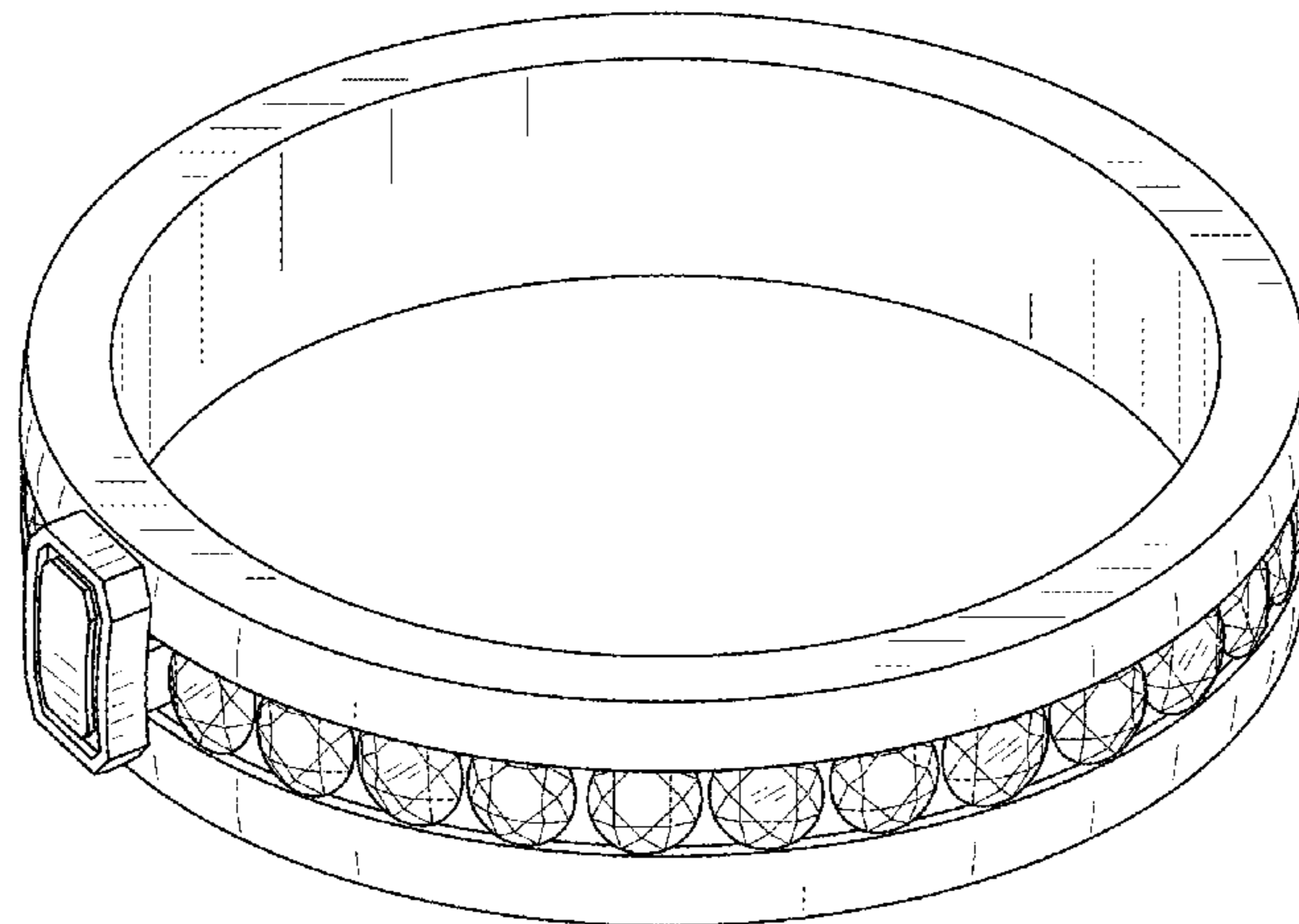
FIG. 5 is a right side view thereof;

FIG. 6 is a top view thereof;

FIG. 7 is a bottom view thereof; and,

FIG. 8 is a rear perspective view thereof.

**1 Claim, 5 Drawing Sheets**



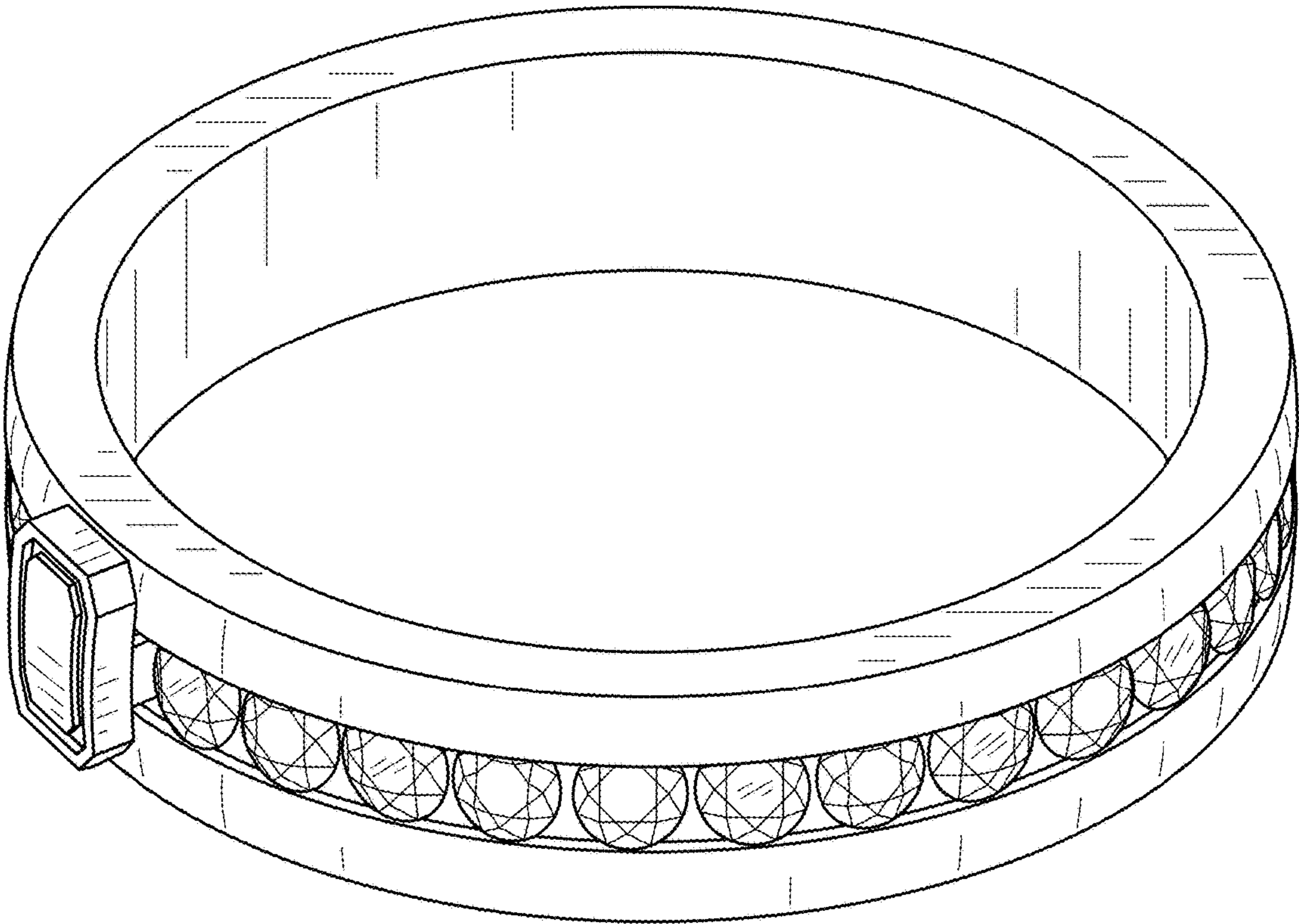


FIG. 1

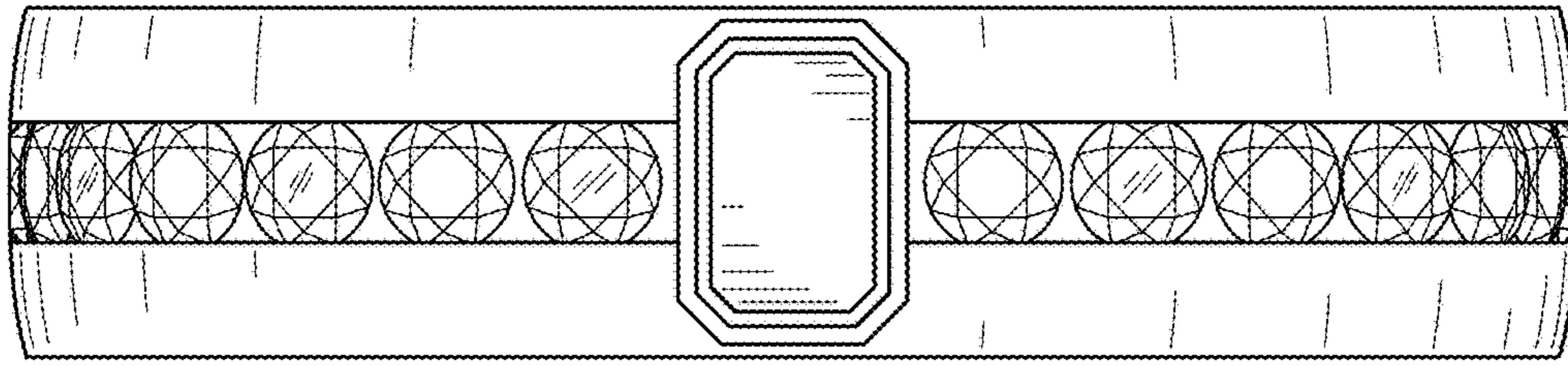


FIG. 2

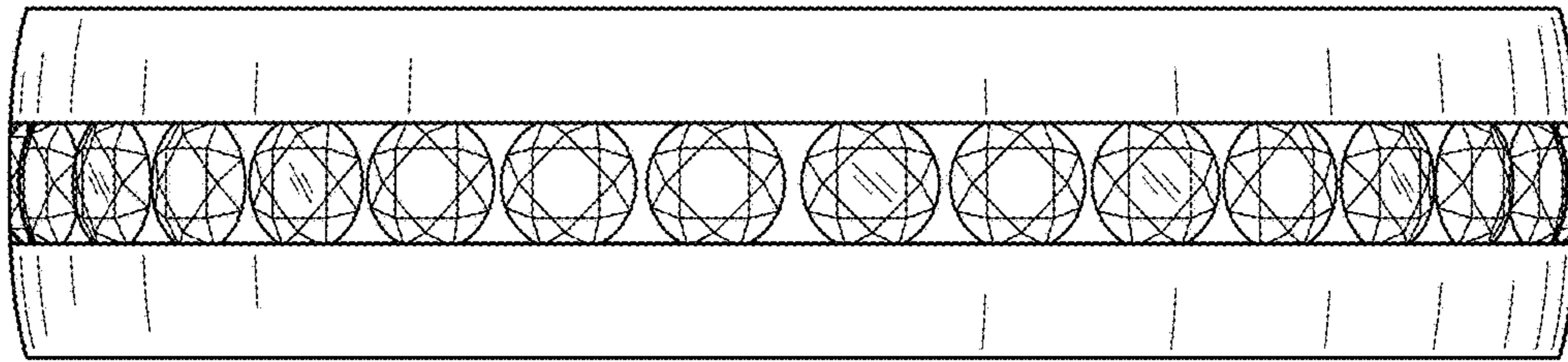


FIG. 3

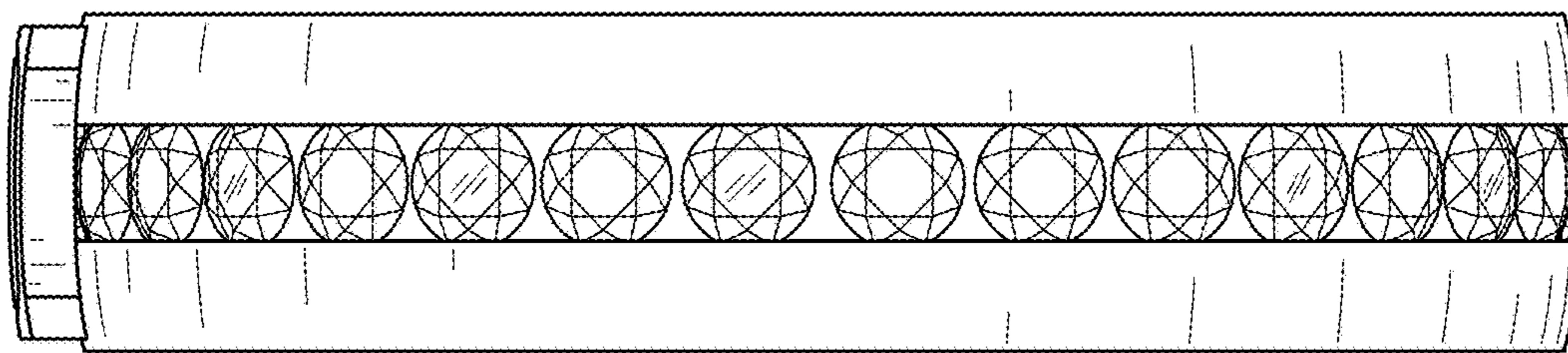


FIG. 4

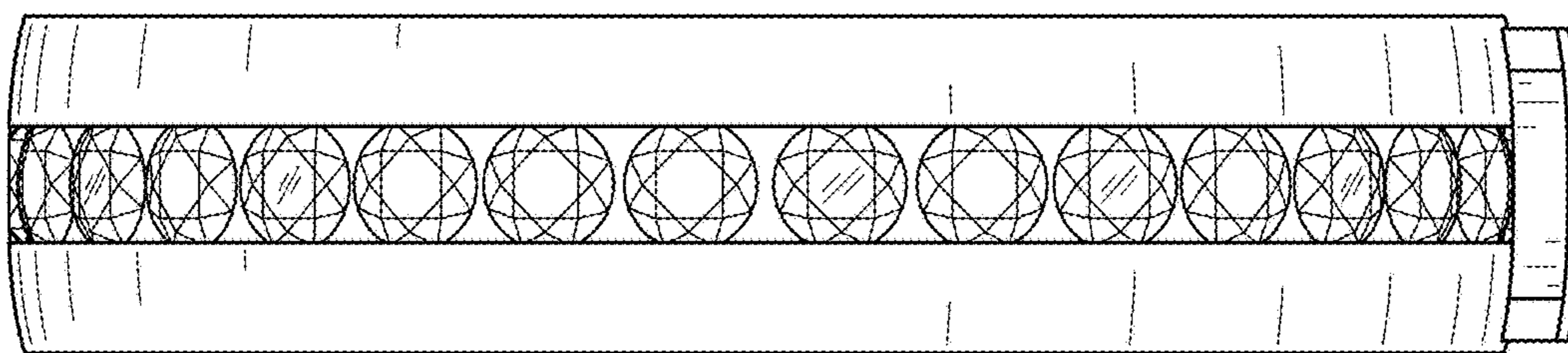


FIG. 5

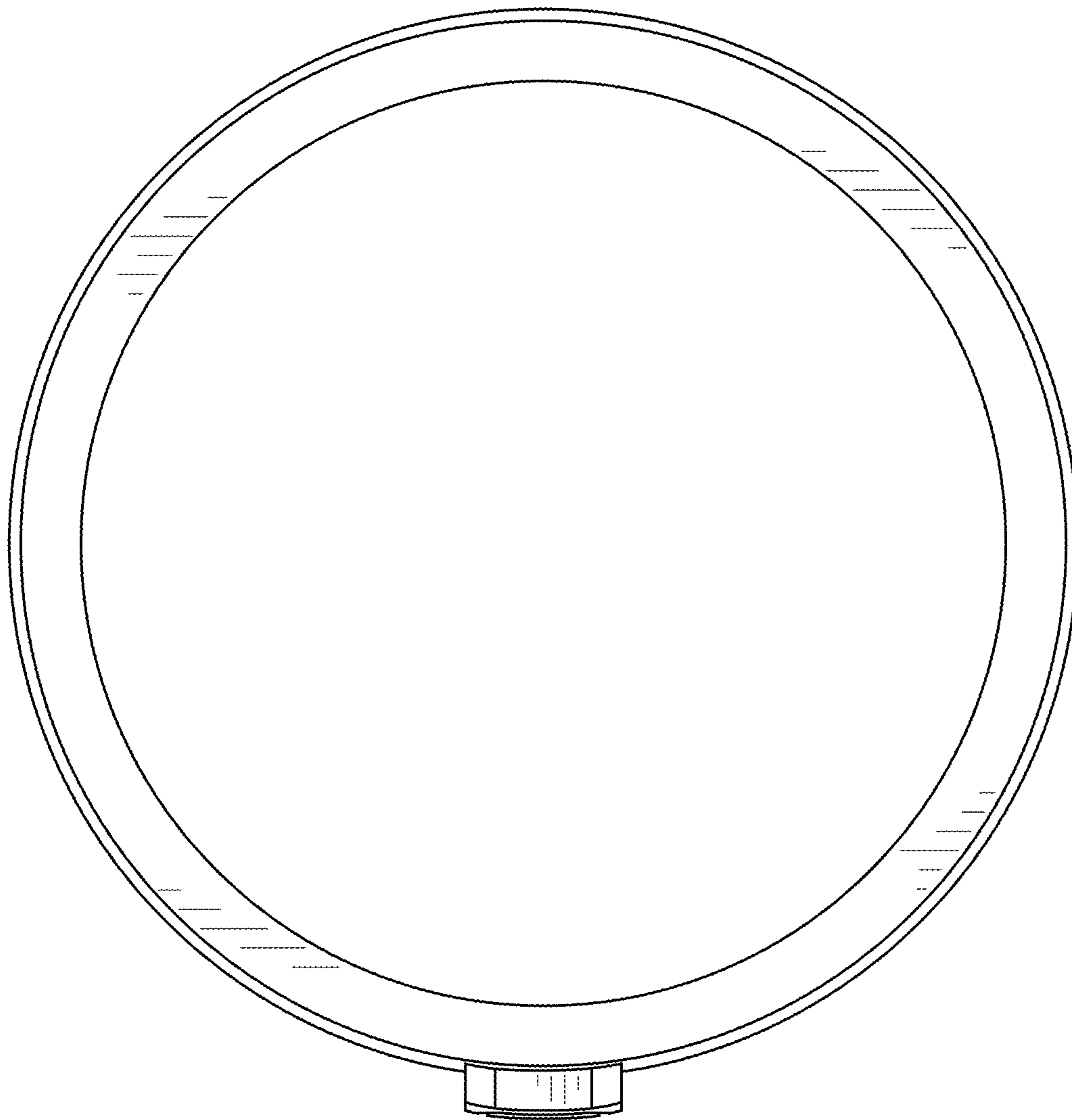


FIG. 6

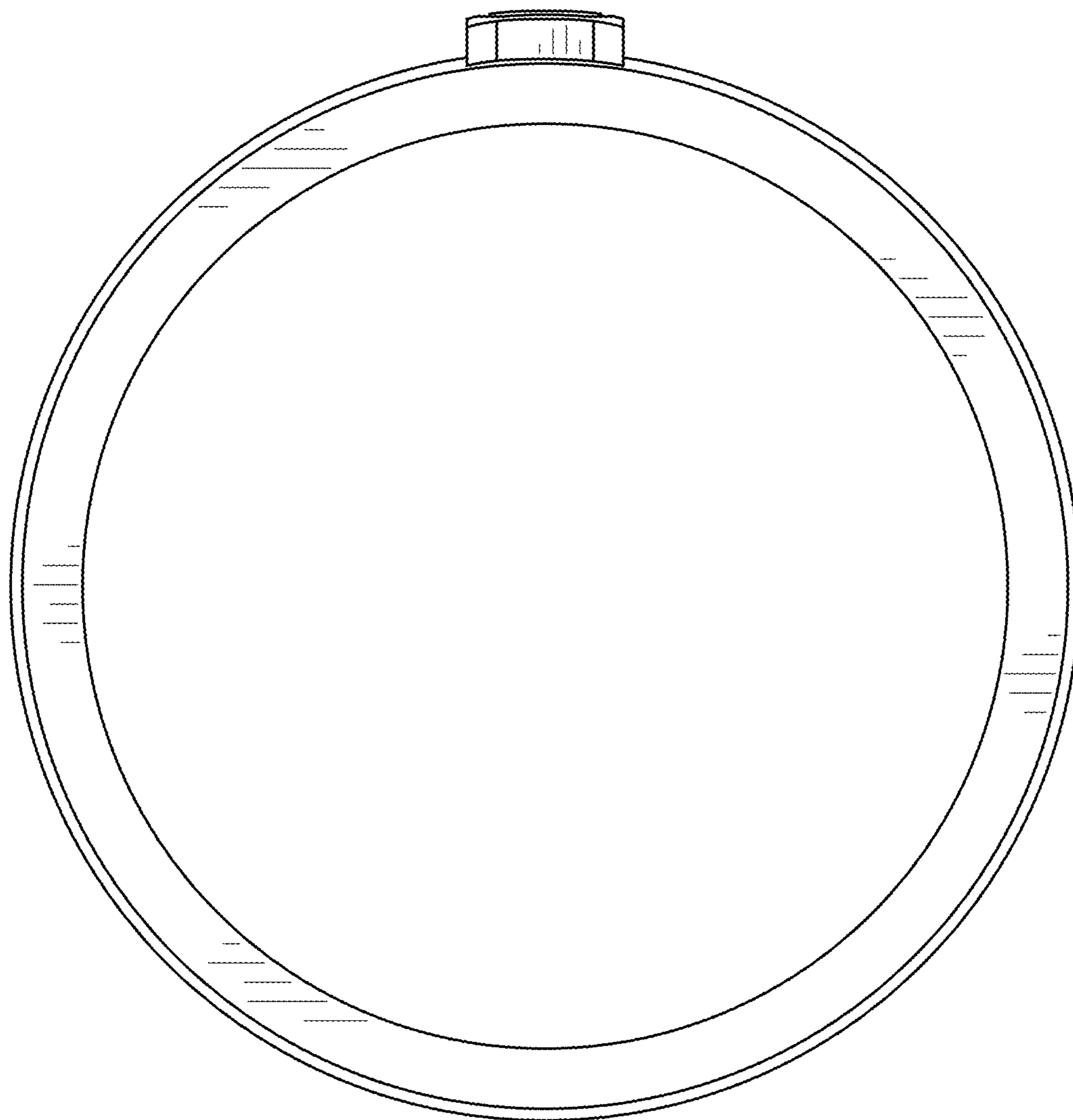


FIG. 7

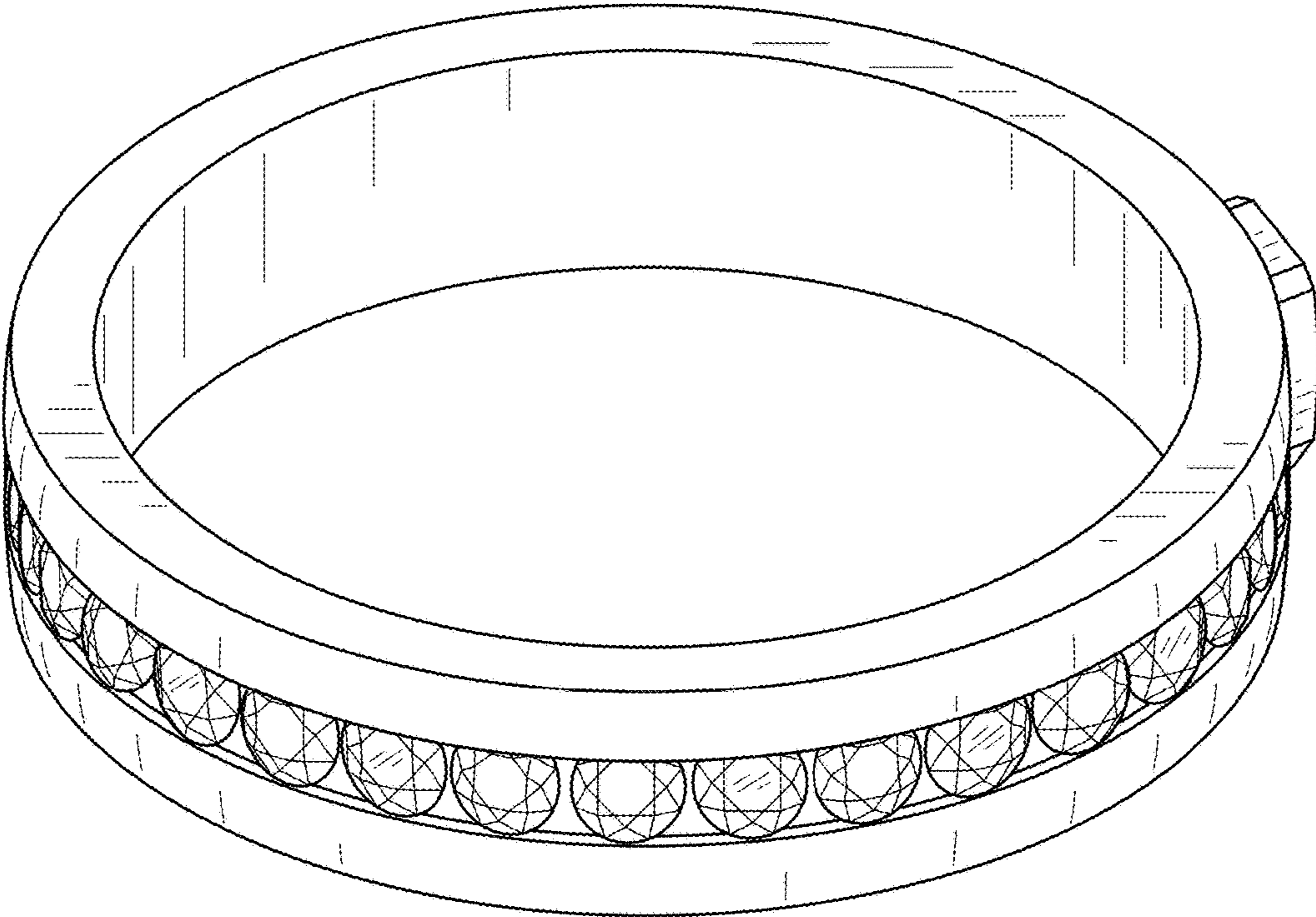


FIG. 8