



US00D792797S

(12) **United States Design Patent**
Kirchick

(10) **Patent No.:** **US D792,797 S**
(45) **Date of Patent:** **** Jul. 25, 2017**

(54) **SNAP BRACELET LIGHTER HOLDER**

(74) *Attorney, Agent, or Firm* — Will Hunziker

(71) Applicant: **Michael Kirchick**, Boulder, CO (US)

(57) **CLAIM**

(72) Inventor: **Michael Kirchick**, Boulder, CO (US)

The ornamental design for a snap bracelet lighter holder, as shown and described.

(**) Term: **15 Years**

(21) Appl. No.: **29/555,158**

DESCRIPTION

(22) Filed: **Feb. 19, 2016**

(51) **LOC (10) Cl.** **11-01**

(52) **U.S. Cl.**

USPC **D11/5; D27/161; D27/167**

(58) **Field of Classification Search**

USPC D11/1-40, 43, 79-86, 90-92; D27/103,
D27/104, 112, 118, 125, 138, 148, 161,
D27/166, 167, 176, 193, 194

CPC A44C 5/0069; A44C 5/00; A44C 5/10;
A44C 5/022; A44C 5/025; A44C 5/142;
A44C 5/145; A44C 5/0007; A44C
5/0061; A44C 5/0076; A44C 5/0084;
A44C 5/0092; A44C 5/2071; A44C
5/2085; A44C

(Continued)

FIG. 1 shows a front perspective view of a snap bracelet lighter holder, shown with unclaimed environmental subject matter;

FIG. 2 shows a front perspective view thereof, with additional unclaimed environmental subject matter;

FIG. 3 shows a front elevation view thereof;

FIG. 4 shows a front elevation view thereof, shown with unclaimed environmental subject matter;

FIG. 5 shows a back elevation view thereof;

FIG. 6 shows a back elevation view thereof, shown with unclaimed environmental subject matter;

FIG. 7 shows a right side elevation thereof;

FIG. 8 shows a cross section view taken along line 8-8 of FIG. 11, shown with unclaimed environmental subject matter;

FIG. 9 shows a left side elevation view of FIG. 1;

FIG. 10 shows a cross section view taken along line 10-10 of FIG. 11, shown with unclaimed environmental subject matter;

FIG. 11 shows a top view of FIG. 1

FIG. 12 shows a cross section view taken along line 12-12 of FIG. 4, shown with unclaimed environmental subject matter;

FIG. 13 shows a bottom view of FIG. 1;

FIG. 14 shows a cross section view taken along line 14-14 of FIG. 6, shown with unclaimed environmental subject matter;

FIG. 15 shows a back perspective view of FIG. 1; and,

FIG. 16 shows a back perspective view thereof, showing with unclaimed environmental subject matter.

The broken lines shown in the drawings illustrate environmental subject matter which form no part of the claimed design.

(56) **References Cited**

U.S. PATENT DOCUMENTS

1,906,003 A * 4/1933 Green A24F 13/22
131/258

D114,835 S * 5/1939 Sullivan D11/5
(Continued)

OTHER PUBLICATIONS

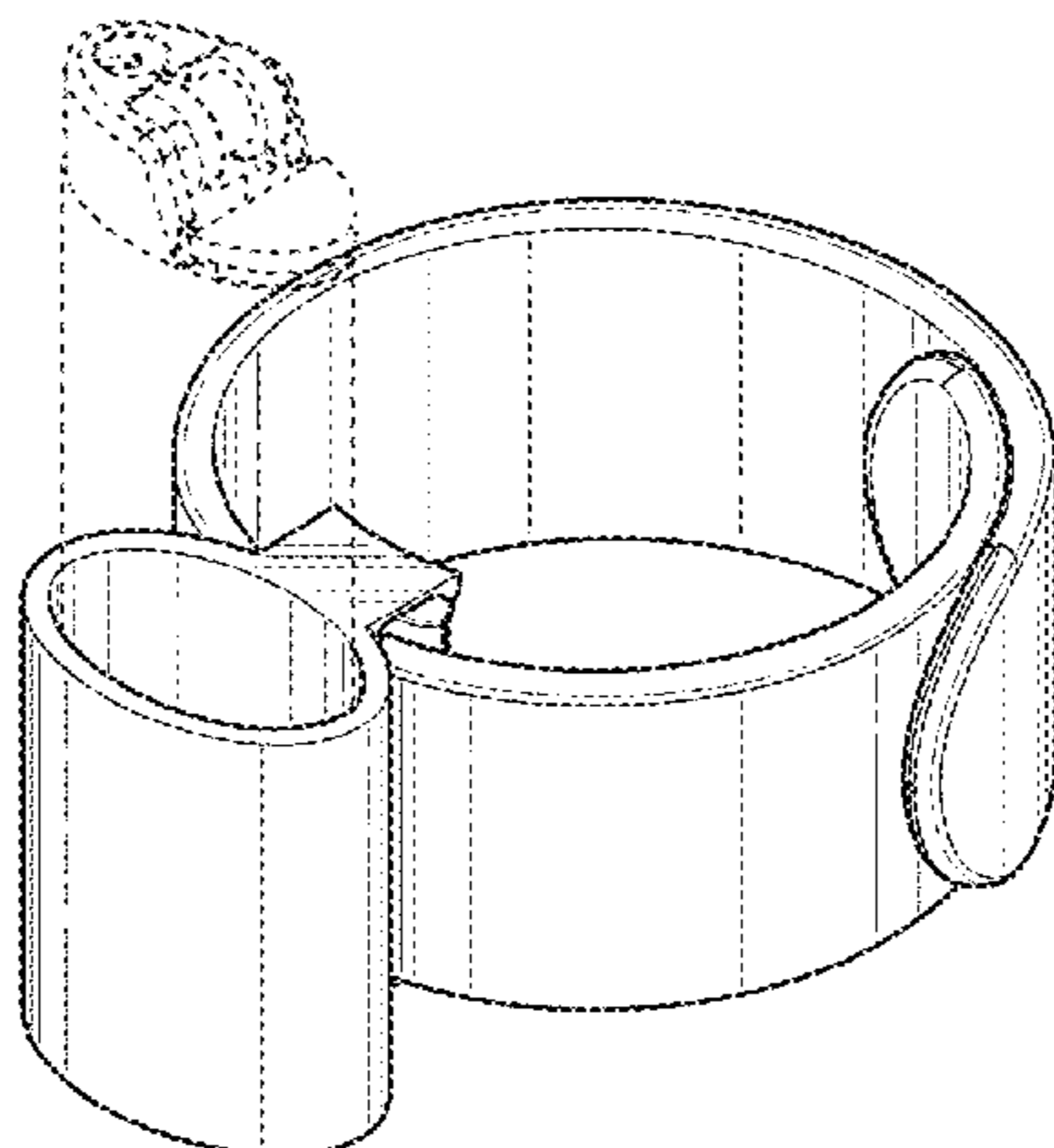
Silicone Lighter Holster (available online Sep. 2015) Retrieved from the internet Feb. 15, 2017, retrieved from the internet URL: <https://www.amazon.com/Higher-State-Creations-SlapPack-Compatible/dp/B011673QAQ>.*

(Continued)

Primary Examiner — Cathron Brooks

Assistant Examiner — Richard Kearney

1 Claim, 8 Drawing Sheets



(58) **Field of Classification Search**
 CPC ... 9/0038; A44C 9/0053; A44C 15/005; A44C
 15/0005; A44C 17/001; A44C 17/003;
 A44C 17/005; A44C 17/02; A24F 1/30;
 A45F 2005/008
 See application file for complete search history.

(56) **References Cited**
 U.S. PATENT DOCUMENTS

2,222,741 A * 11/1940 Bush A61C 9/00
 220/755
 D283,734 S * 5/1986 Parren D27/153
 5,788,479 A * 8/1998 Galanos A24F 15/18
 206/87
 5,857,217 A * 1/1999 Hsueh A44C 5/0007
 2/170
 D420,616 S * 2/2000 Saloom D11/3
 6,196,382 B1 * 3/2001 Lenderman F23Q 2/34
 206/37
 D471,316 S * 3/2003 Budde D27/161
 D527,488 S * 8/2006 Hung D27/161
 D552,791 S * 10/2007 Toffler D27/161
 7,347,019 B1 * 3/2008 Shaw F16F 1/025
 40/607.01
 D635,881 S * 4/2011 Gaspard D11/30
 D640,156 S * 6/2011 Chan D11/3
 D648,891 S * 11/2011 Heger D27/161

8,113,343 B2 * 2/2012 Åkerlind A24F 19/0085
 131/231
 D678,603 S * 3/2013 Wygle D27/161
 D680,262 S * 4/2013 Mansfield D27/161
 D757,592 S * 5/2016 Martensson D11/4
 D758,653 S * 6/2016 Ayoub D27/161
 2003/0155389 A1 * 8/2003 Swartzentruber A44C 5/12
 224/164
 2011/0308048 A1 * 12/2011 Raccah H01F 7/0263
 24/303
 2012/0012723 A1 * 1/2012 Mansfield A24F 1/30
 248/230.8
 2013/0044215 A1 * 2/2013 Rothkopf G06F 1/163
 348/143
 2013/0056602 A1 * 3/2013 Zivku A47G 29/083
 248/339

OTHER PUBLICATIONS

Lighter Buddy (available online Aug. 7, 2014) Retrieved from the internet Feb. 15, 2017, retrieved from the internet URL: https://www.grasscity.com/us_en/lighter-buddy-lighter-holder-sleeve-rasta.html.*
 Silicone Lighter band (available online) Retrieved from the internet Feb. 15, 2017, retrieved from the internet URL: <http://www.marijuanapackaging.com/silicone-lighter-band-24-count.html>.*

* cited by examiner

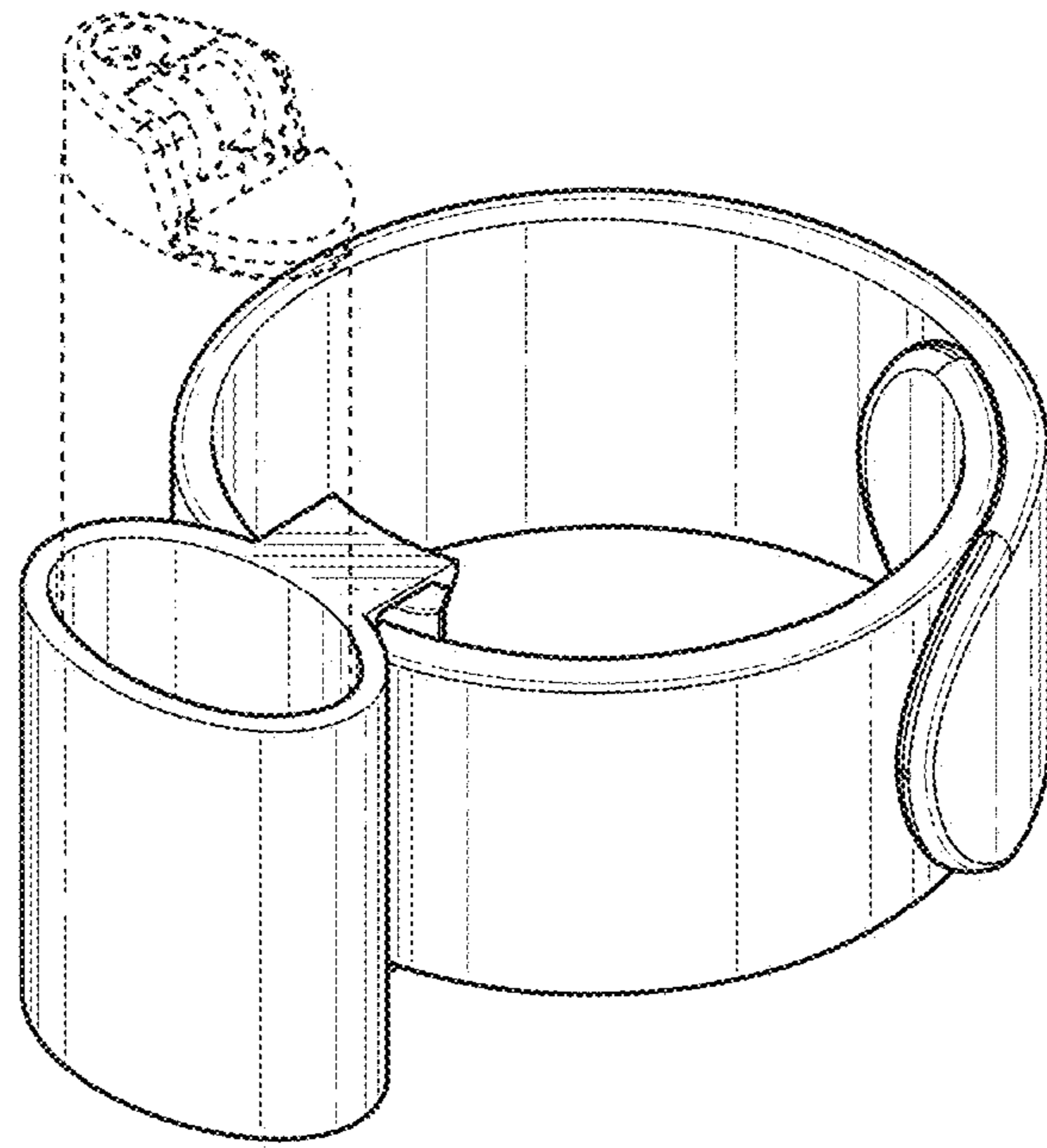


FIG. 1

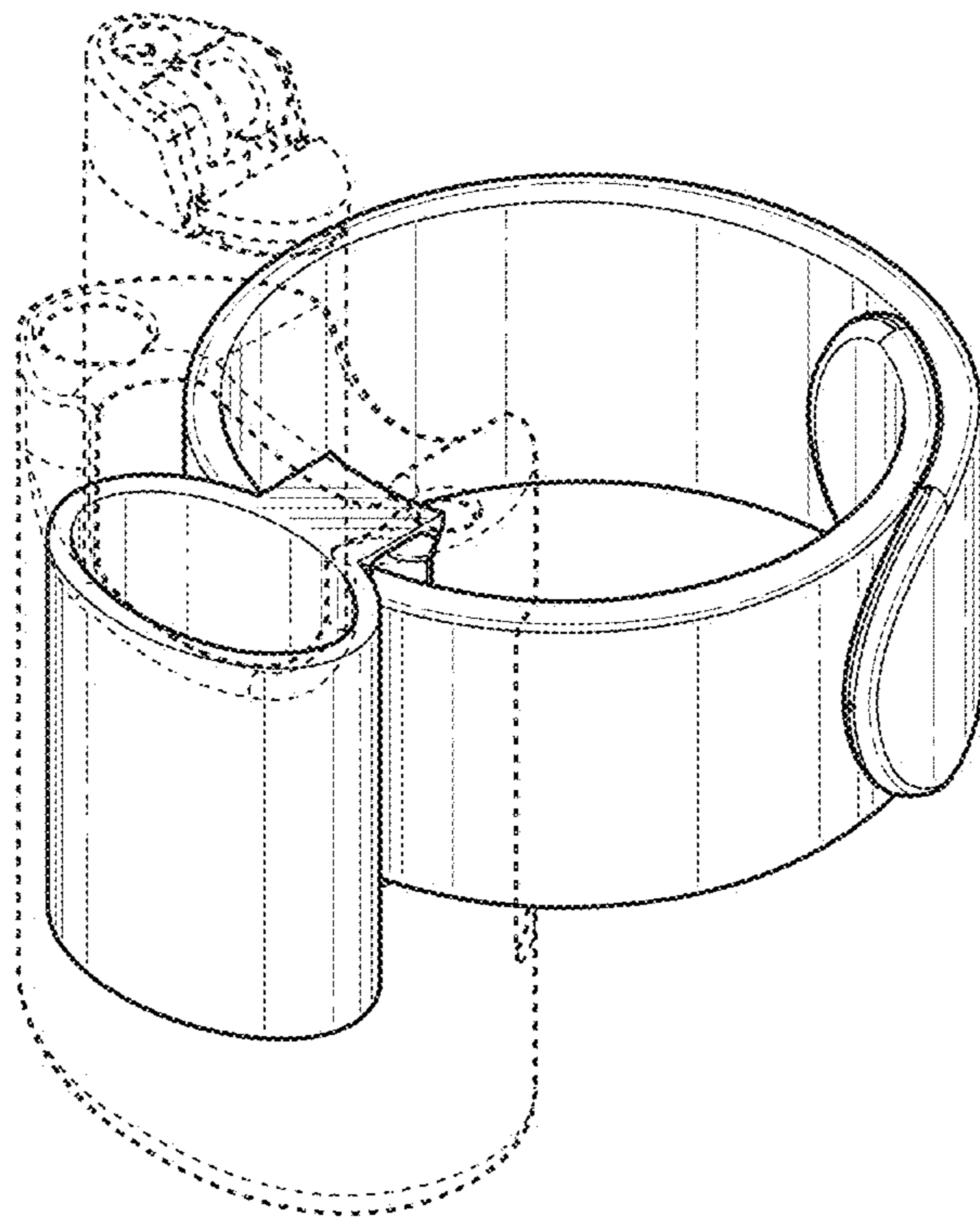


FIG. 2

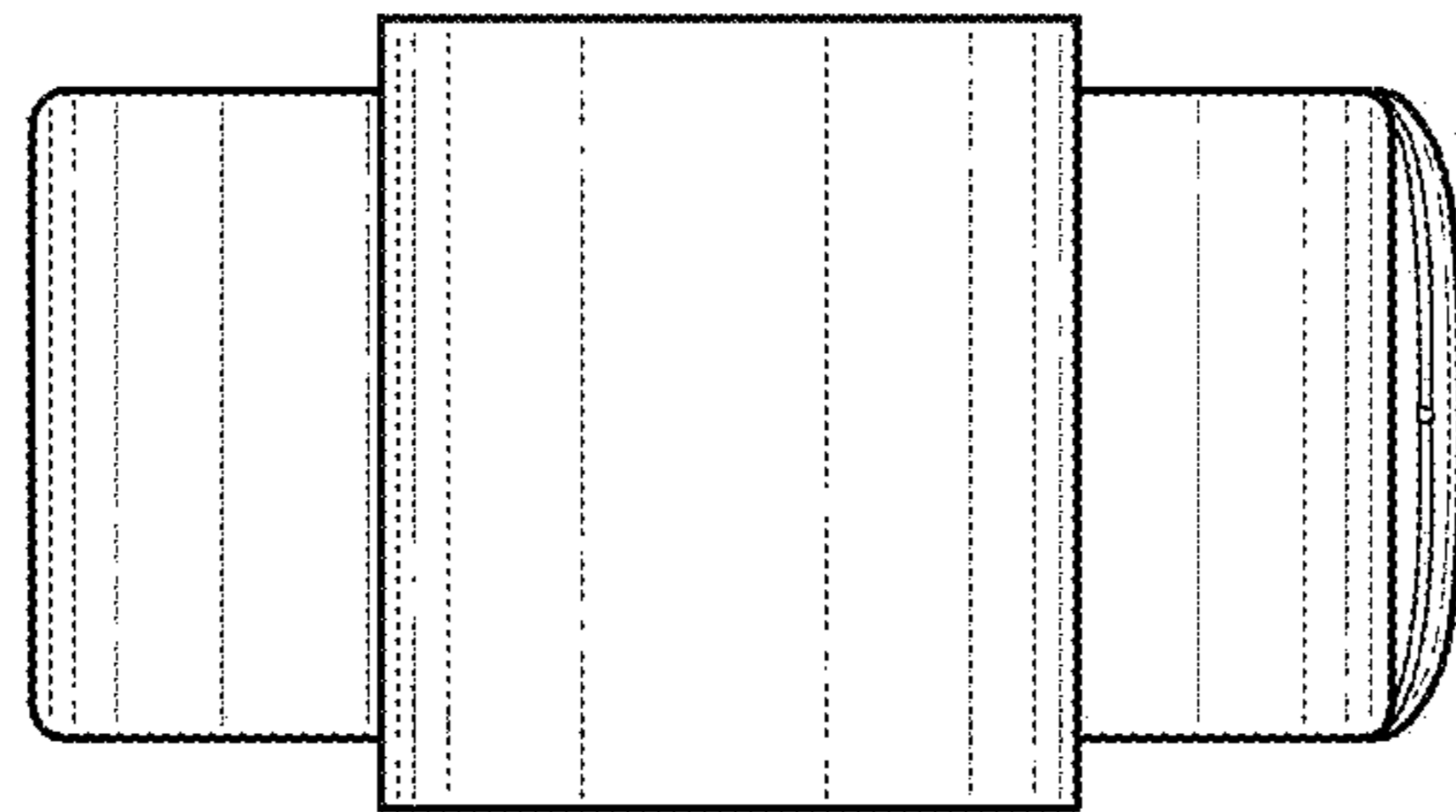


FIG. 3

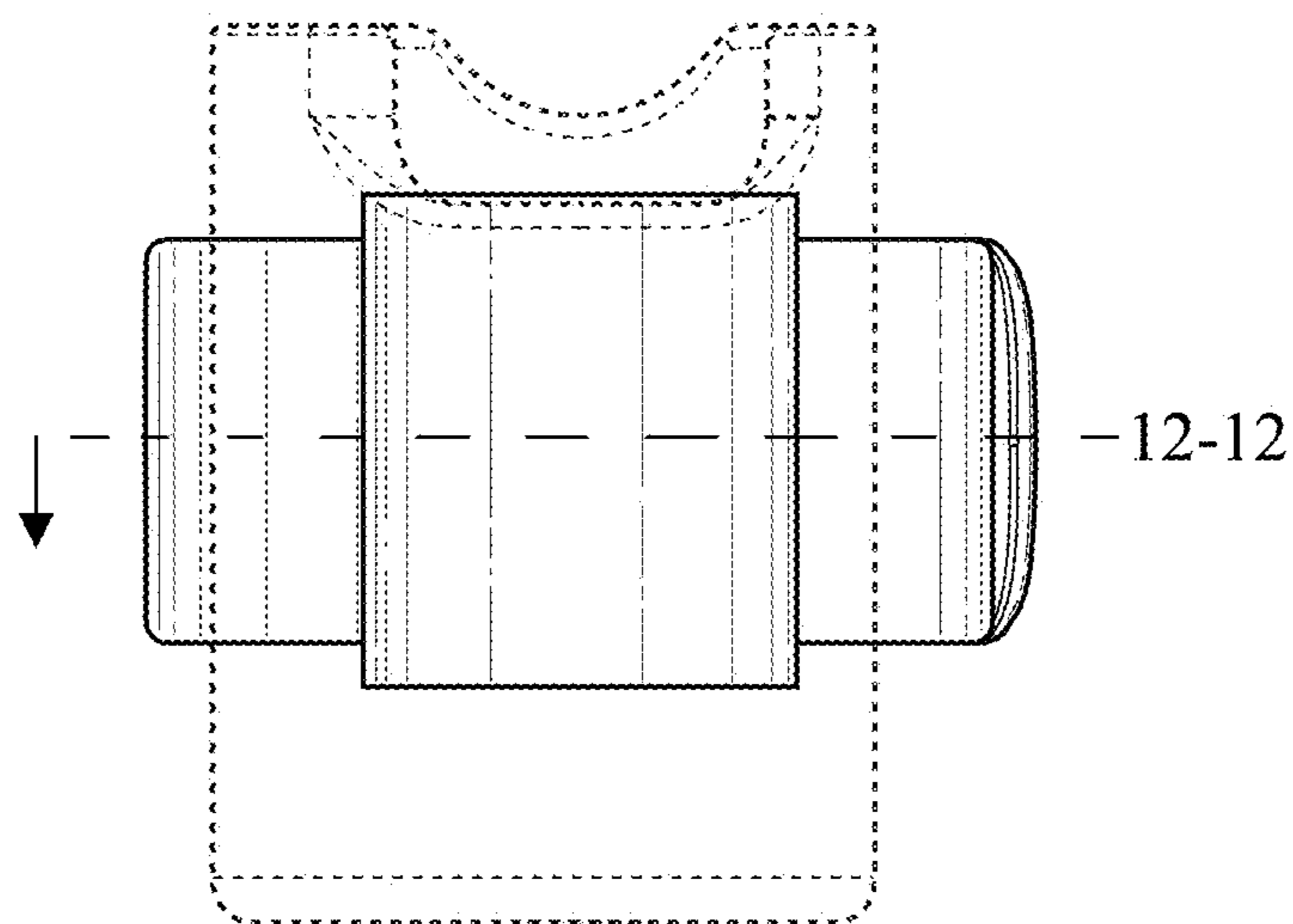


FIG. 4

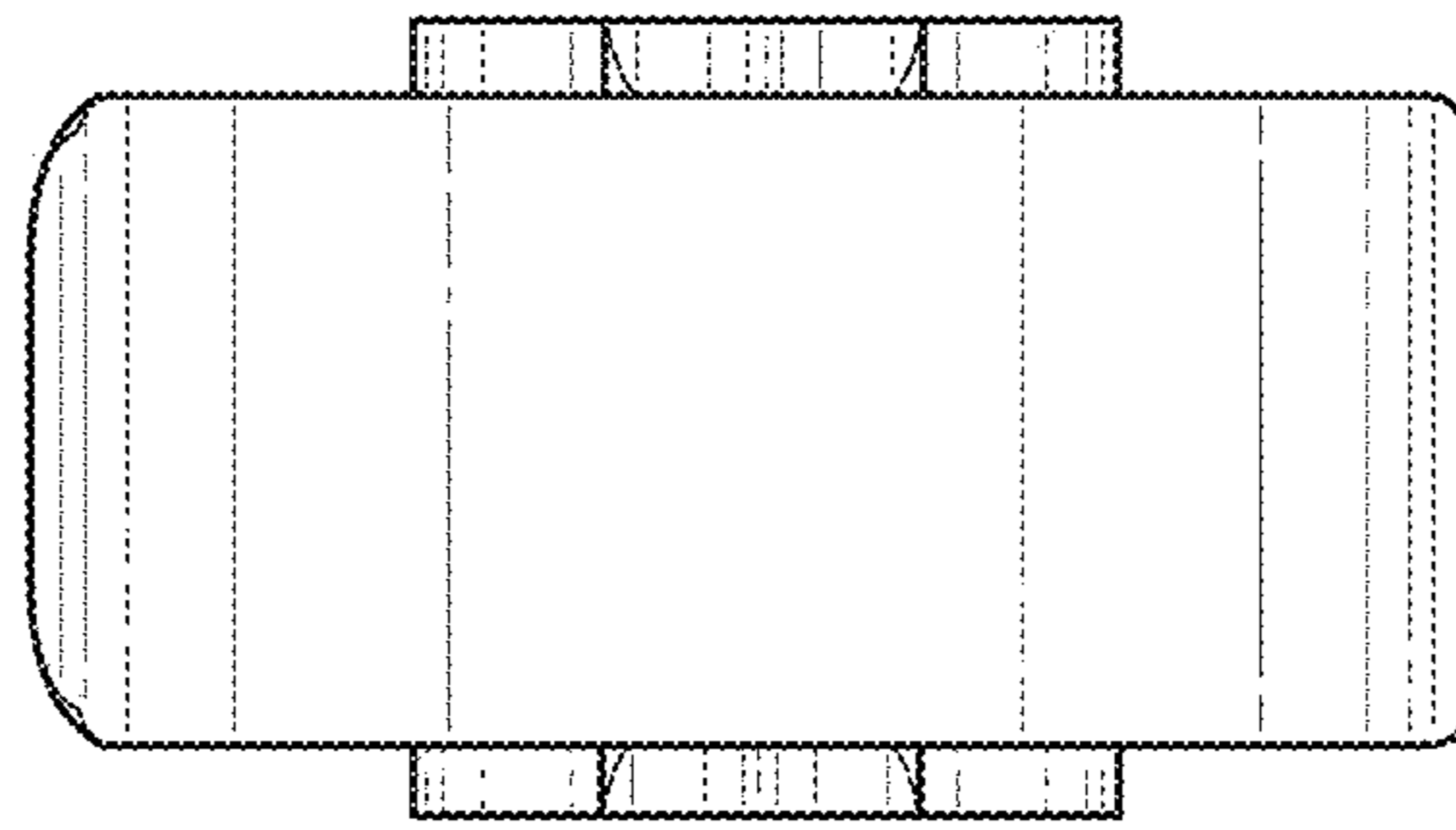


FIG. 5

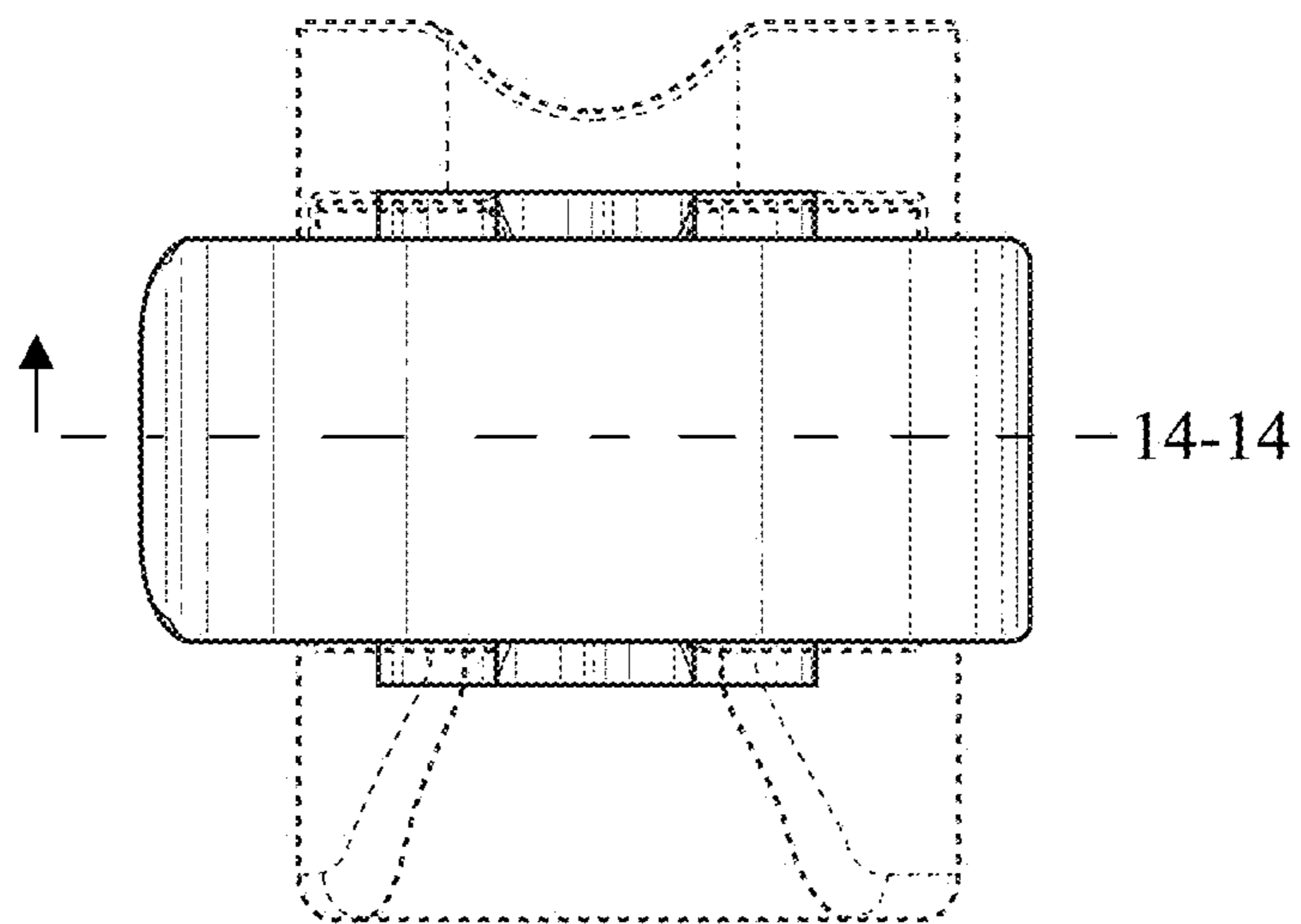


FIG. 6

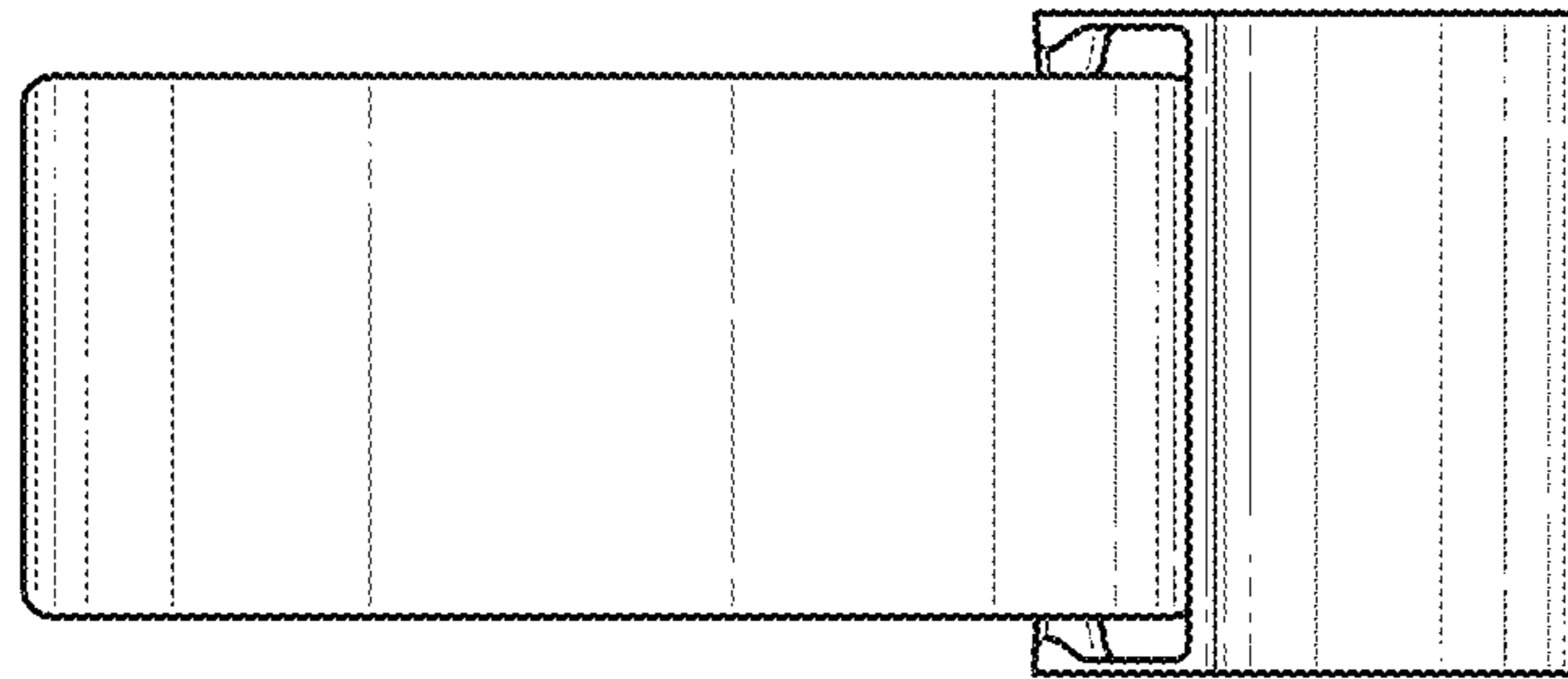


FIG. 7

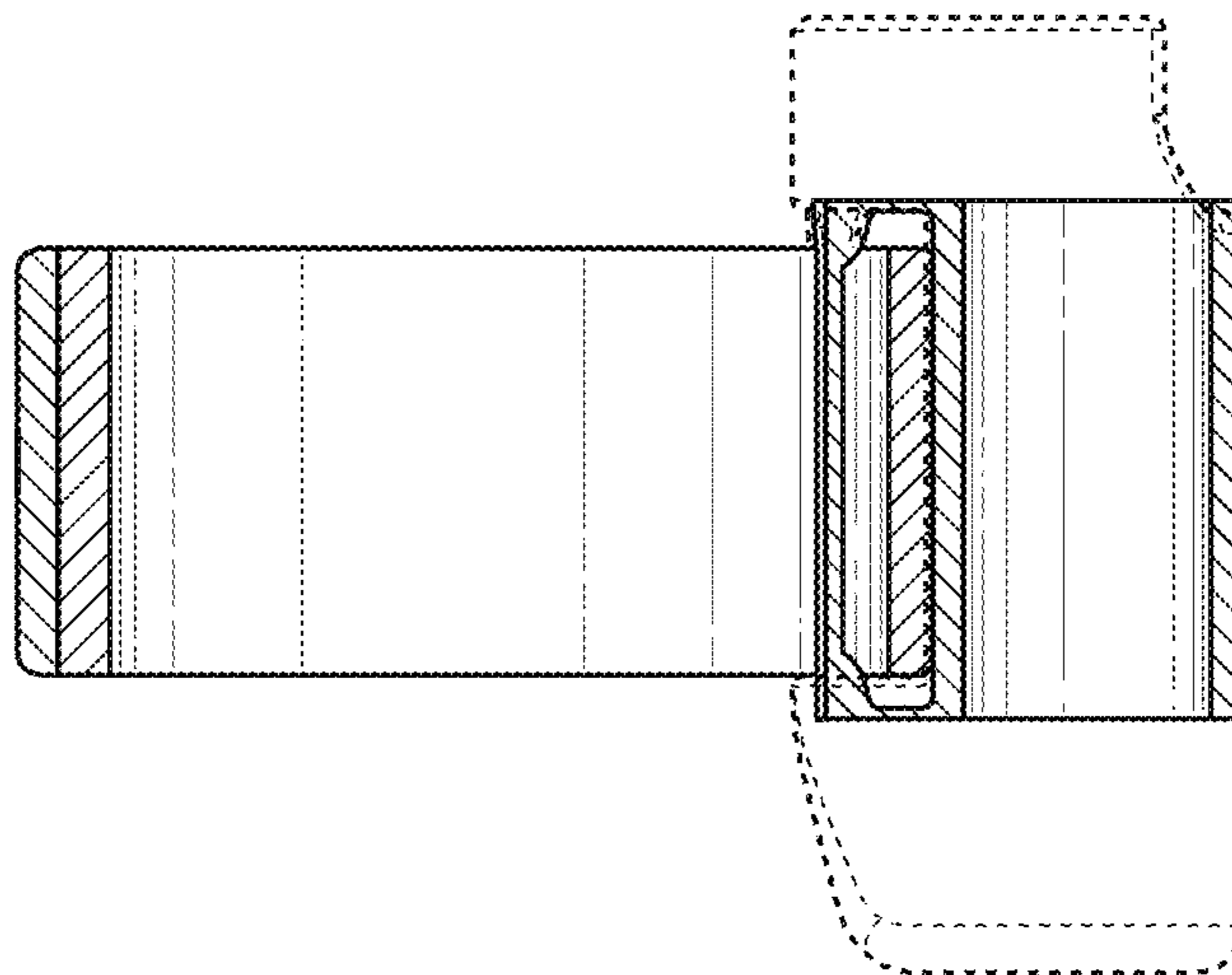


FIG. 8

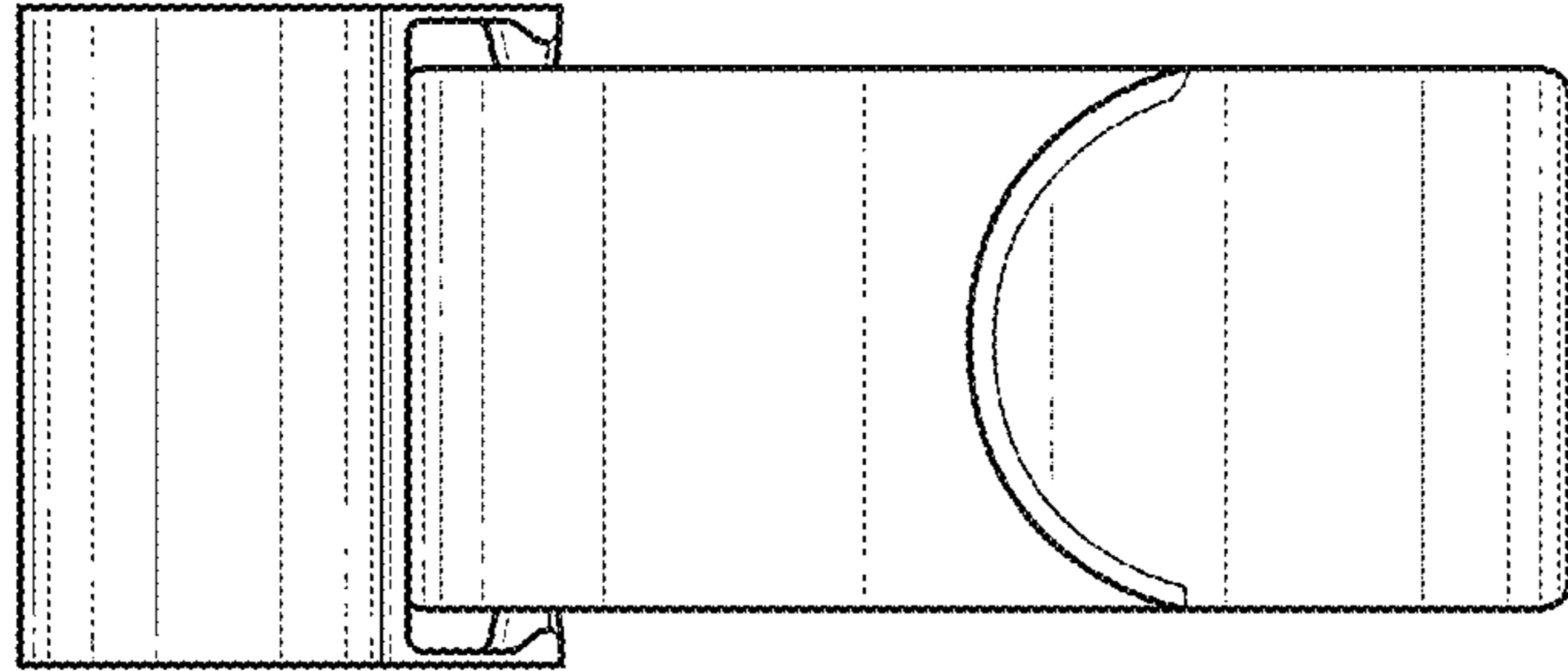


FIG. 9

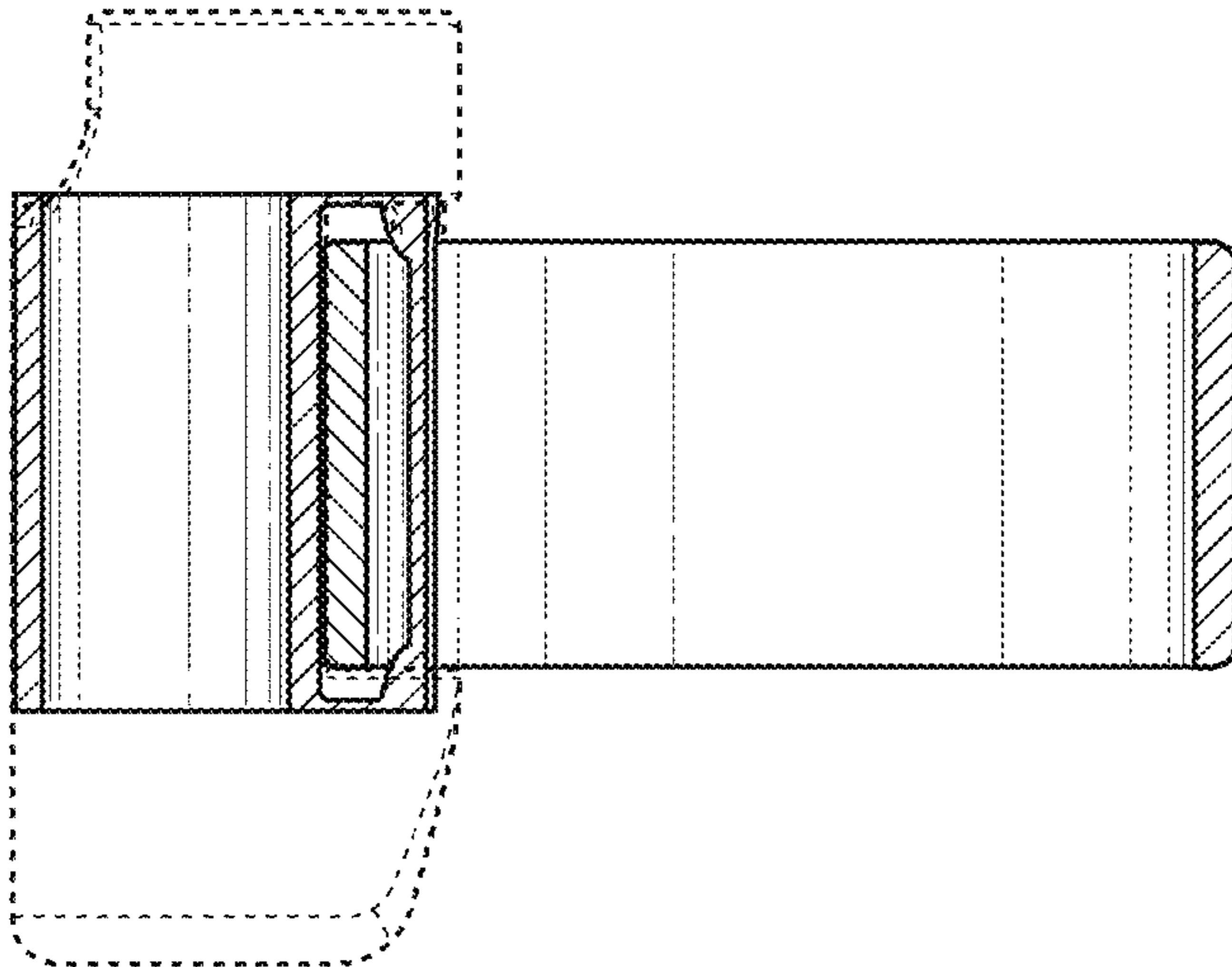


FIG. 10

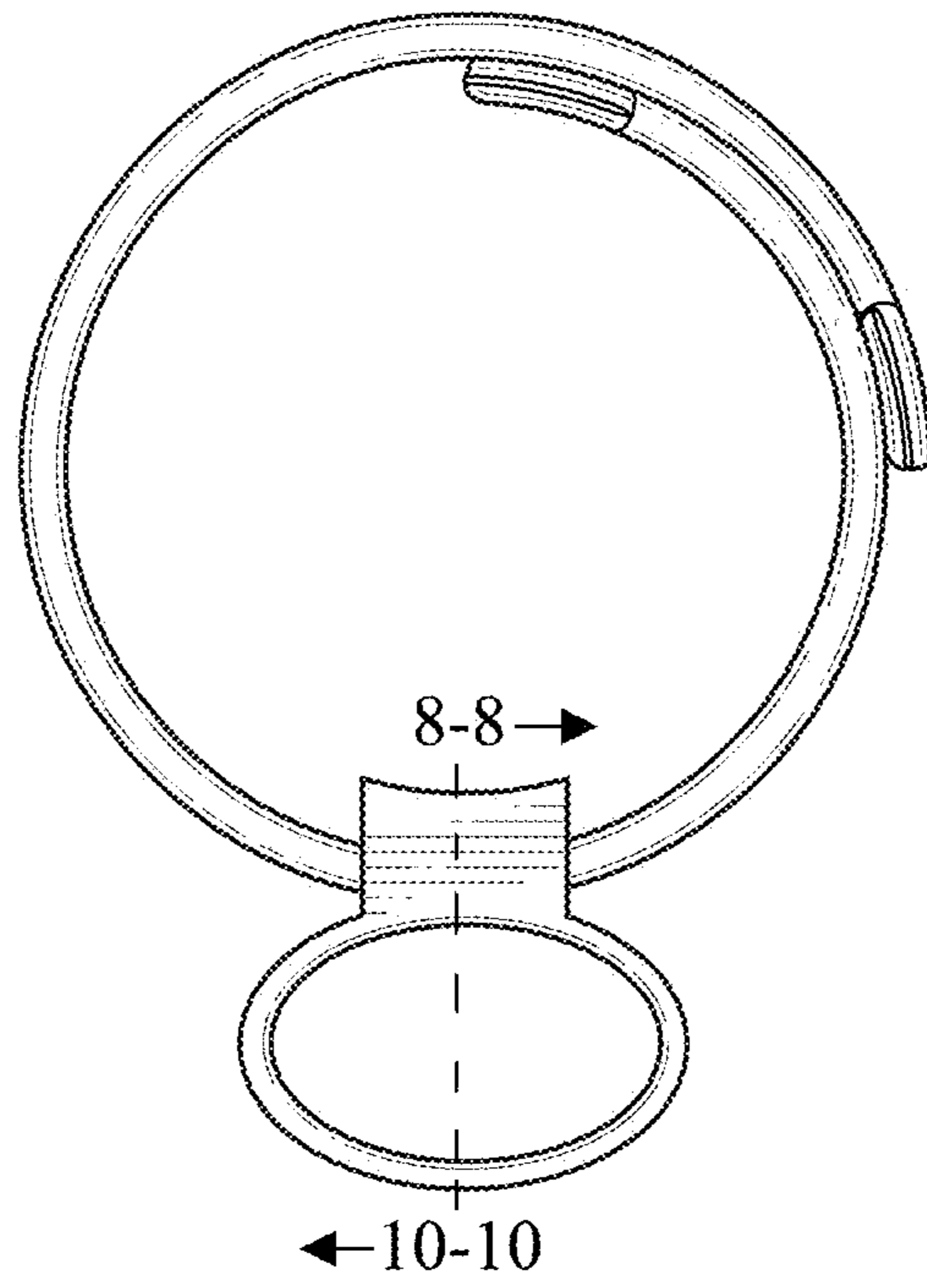


FIG. 11

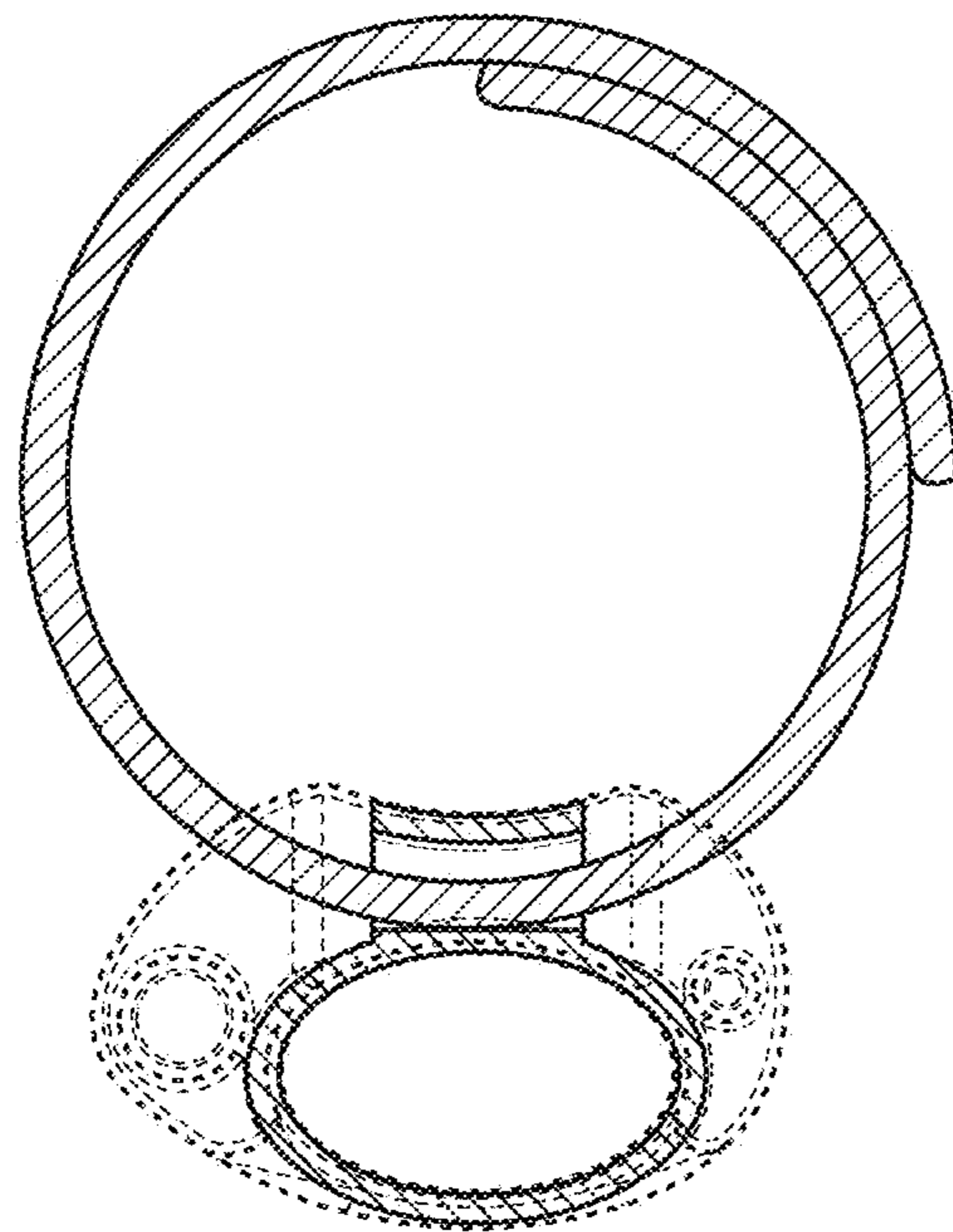


FIG. 12

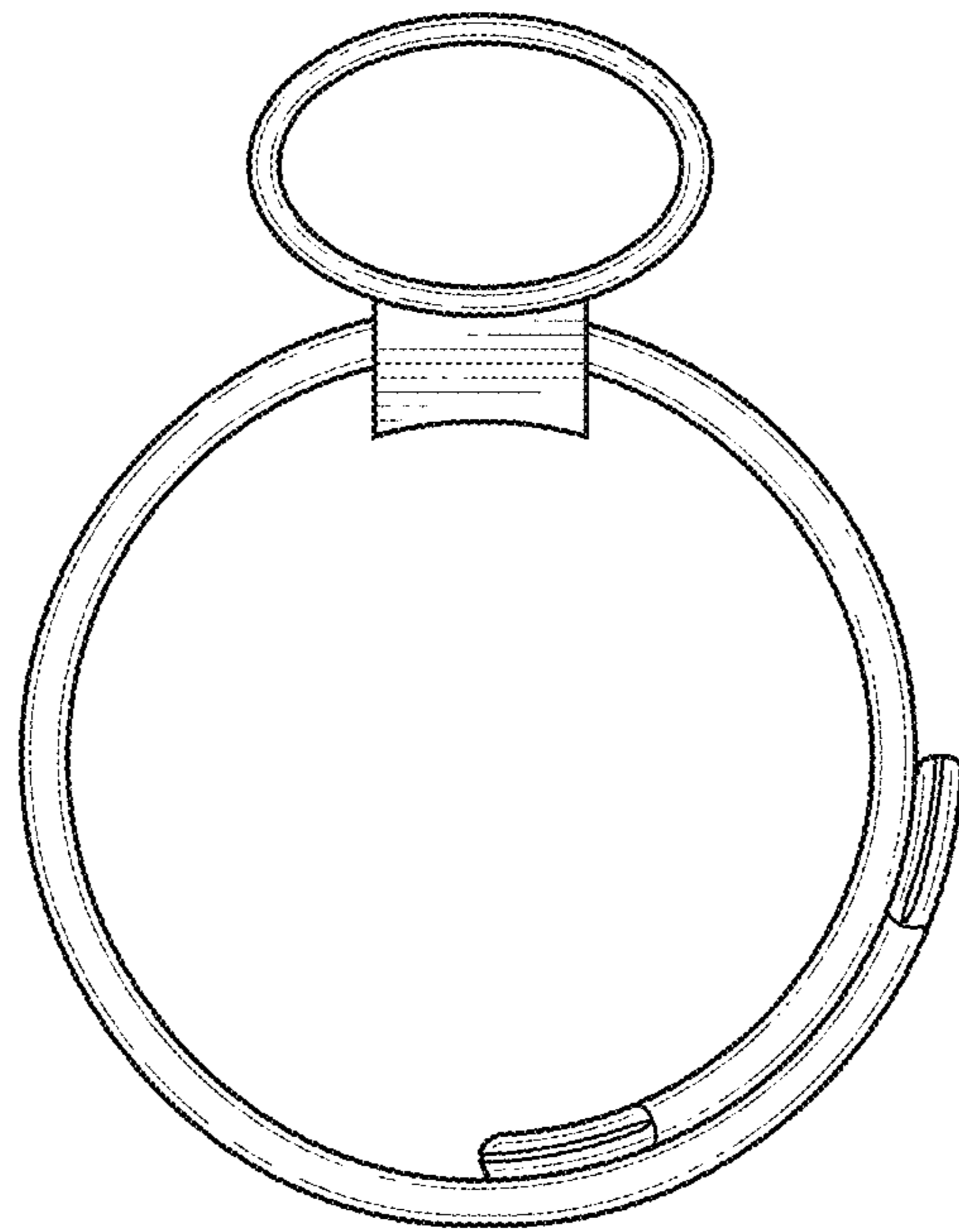


FIG. 13

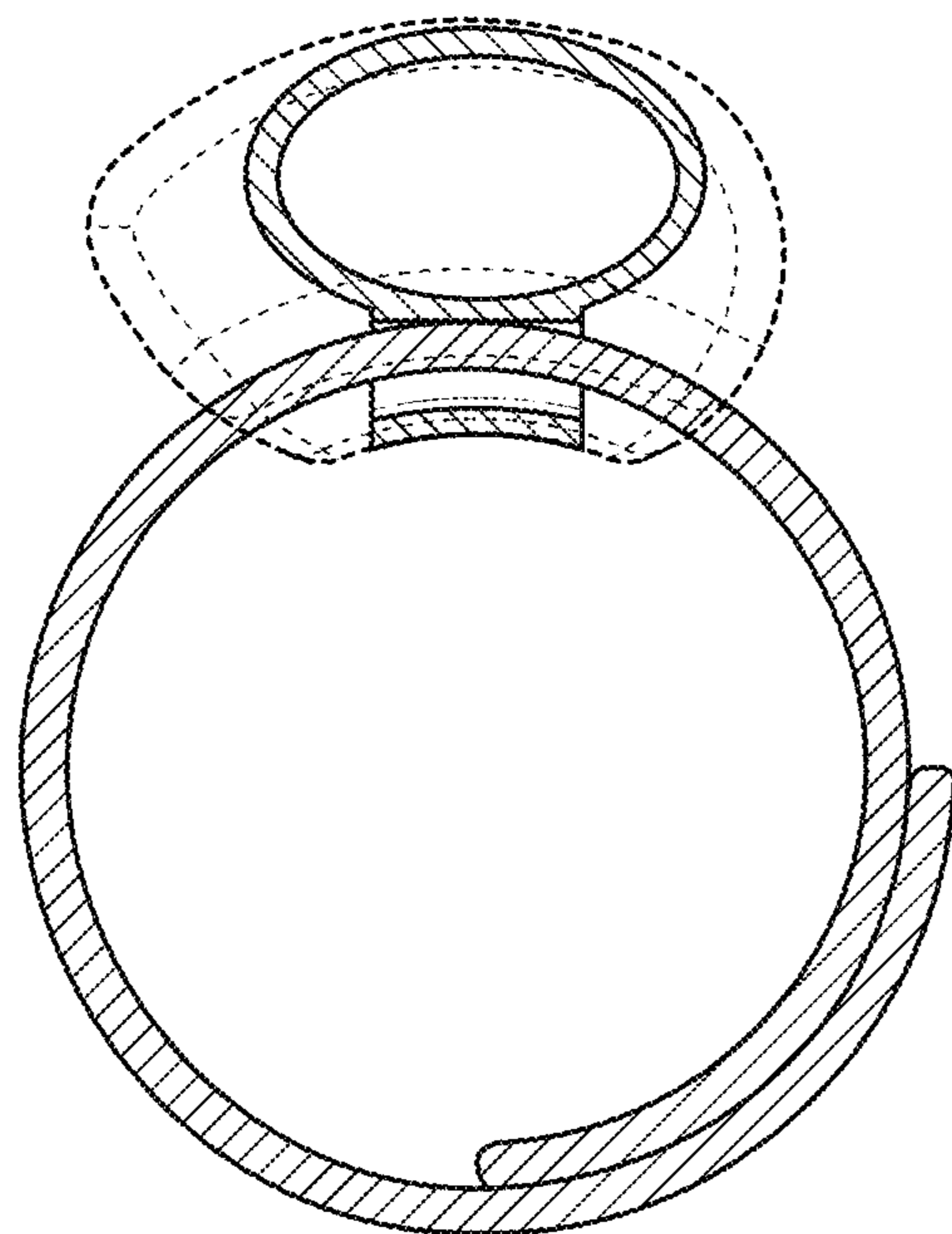


FIG. 14

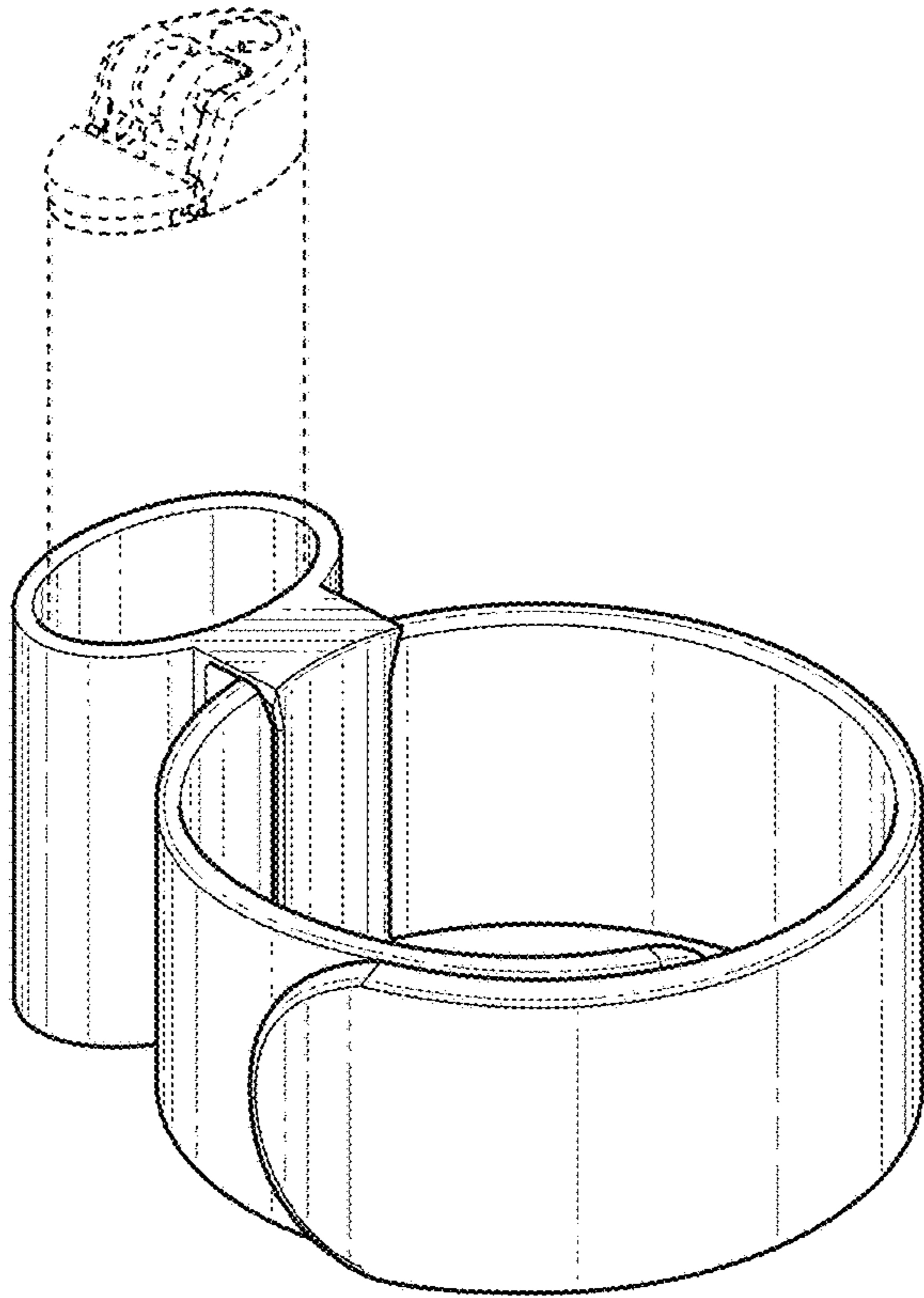


FIG. 15

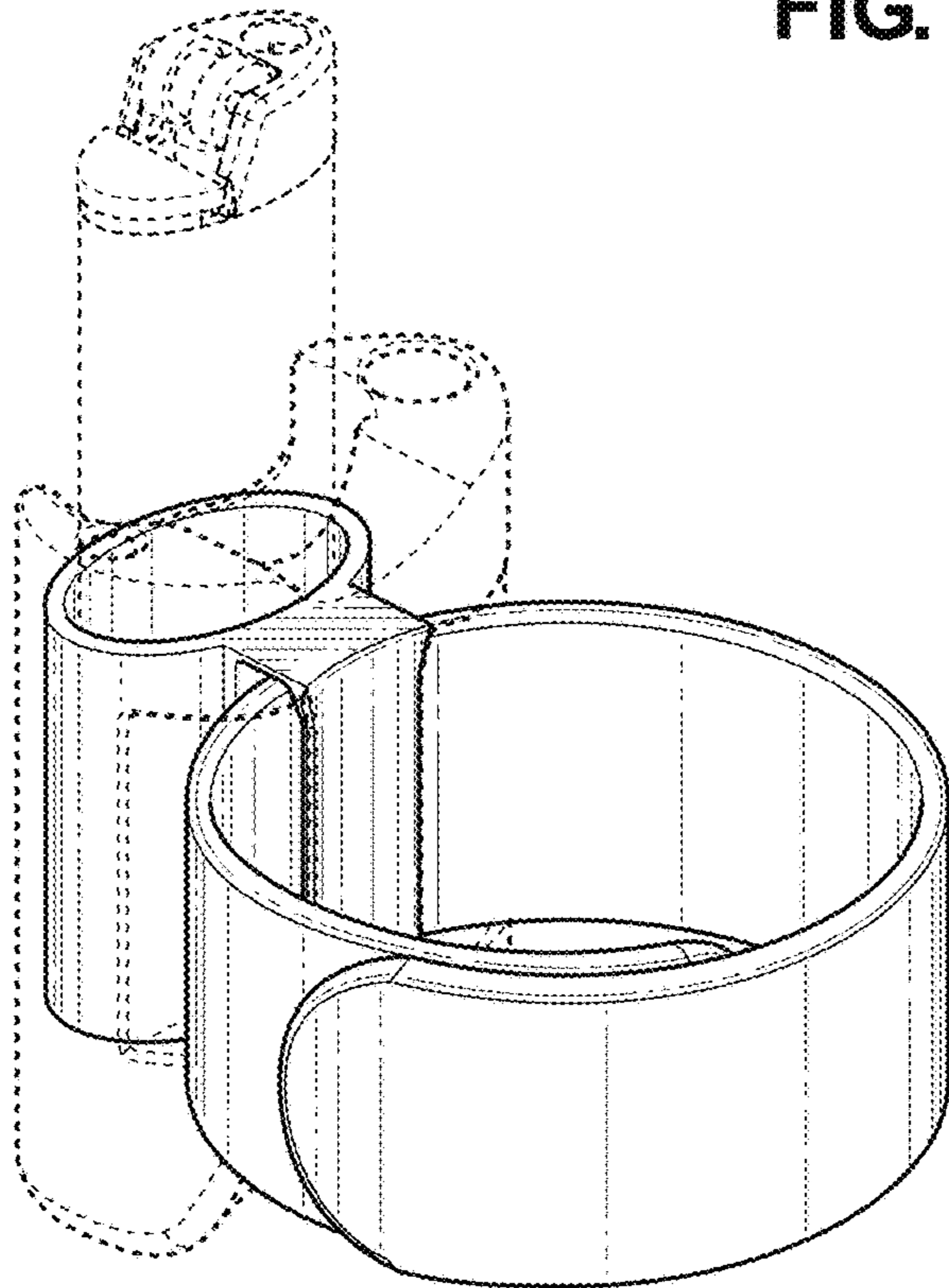


FIG. 16