



US00D792793S

(12) **United States Design Patent** (10) **Patent No.:** **US D792,793 S**
Teranishi et al. (45) **Date of Patent:** **** Jul. 25, 2017**

(54) **PROBE PIN**

OTHER PUBLICATIONS

- (71) Applicant: **OMRON Corporation**, Kyoto-shi, Kyoto (JP)
- (72) Inventors: **Hirotsada Teranishi**, Osaka (JP); **Takahiro Sakai**, Moriyama (JP); **Makoto Kondo**, Moriyama (JP)
- (73) Assignee: **OMRON Corporation**, Kyoto-shi (JP)
- (**) Term: **15 Years**
- (21) Appl. No.: **29/563,349**
- (22) Filed: **May 4, 2016**
- (30) **Foreign Application Priority Data**

U.S. Appl. No. 29/563,351, filed May 4, 2016, Teranishi et al.
 U.S. Appl. No. 29/563,354, filed May 4, 2016, Teranishi et al.

* cited by examiner

Primary Examiner — Antoine D Davis

(74) *Attorney, Agent, or Firm* — Sterne, Kessler, Goldstein & Fox P.L.L.C.

(30) **Foreign Application Priority Data**

- Nov. 12, 2015 (JP) 2015-025356
- (51) **LOC (10) Cl.** **10-04**
- (52) **U.S. Cl.**
 USPC **D10/80**
- (58) **Field of Classification Search**
 USPC D10/78, 80
 CPC G01R 1/067; G01R 1/06705; G01R 1/06711; G01R 1/06716; G01R 1/06722; G01R 1/06727; G01R 1/06733; G01R 1/06738; G01R 1/06744; G01R 1/0675; G01R 1/06766; G01R 1/06772; G01R 1/06777; G01R 1/06783; G01R 1/0678
- See application file for complete search history.

(57) **CLAIM**

The ornamental design for a probe pin, as shown and described.

(56) **References Cited**

U.S. PATENT DOCUMENTS

- 3,193,765 A * 7/1965 Bevens G01R 1/06777
 324/109
- 5,447,450 A * 9/1995 Woodward G01R 1/06788
 439/417

DESCRIPTION

FIG. 1 is a perspective view of a probe pin;
 FIG. 2 is a front elevational view thereof;
 FIG. 3 is a rear elevational view thereof;
 FIG. 4 is a left side view thereof;
 FIG. 5 is a right side view thereof;
 FIG. 6 is a top plan view thereof; and,
 FIG. 7 is a bottom plan view thereof.

The dashed broken lines in the figures show portions of the probe pin that form no part of the claimed design. The dot-dash broken lines in the figures show boundaries of the claimed design.

1 Claim, 4 Drawing Sheets

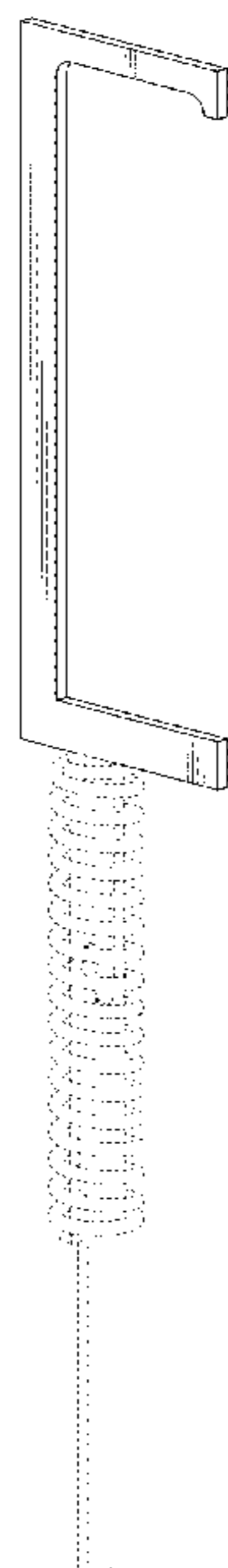


Fig. 1

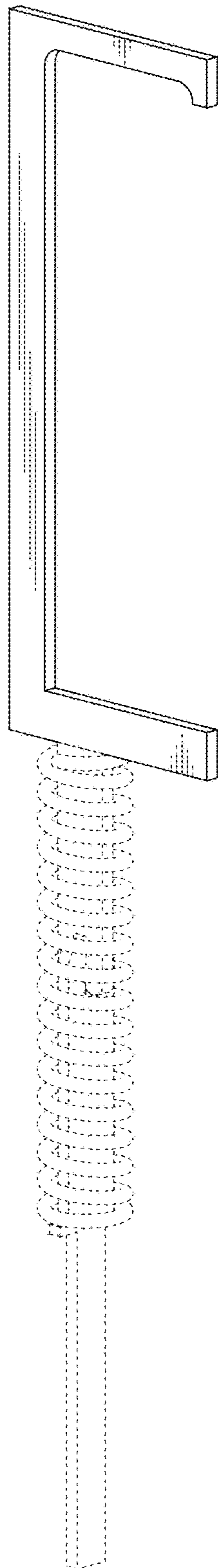


Fig. 2

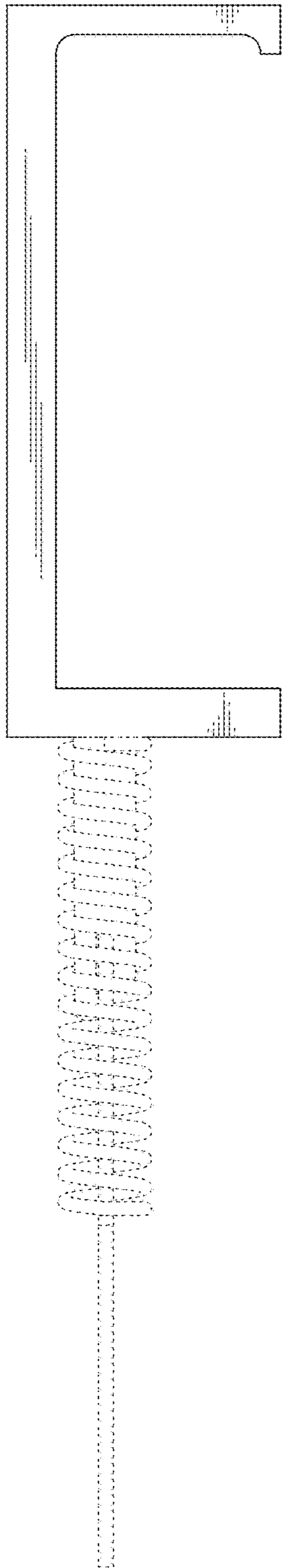


Fig. 3

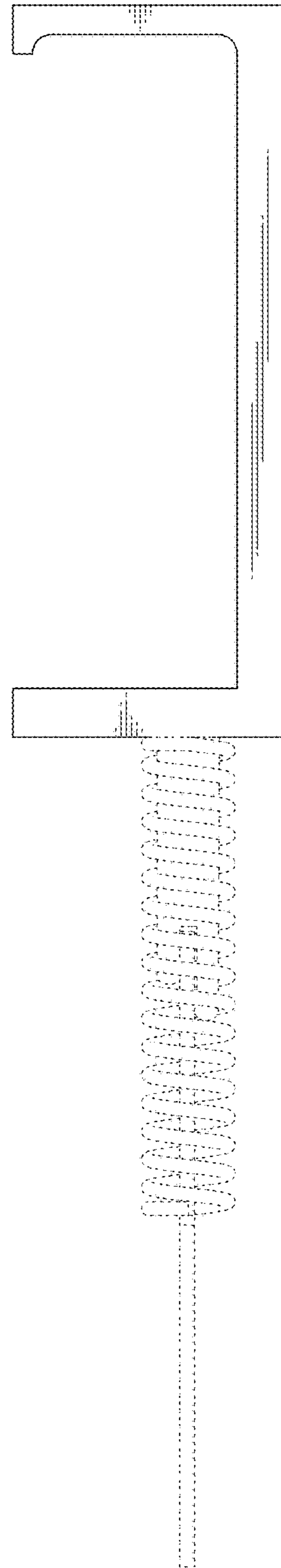


Fig. 4

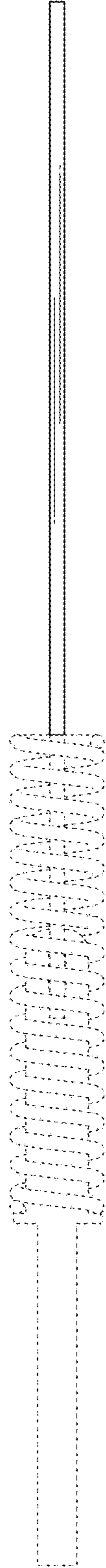


Fig. 5

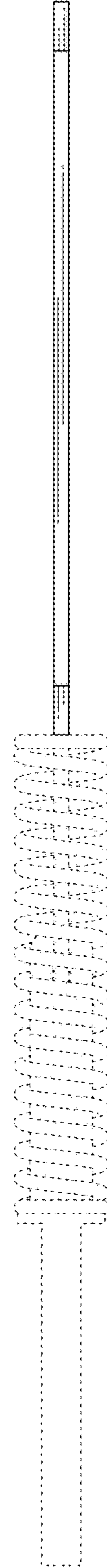


Fig. 6

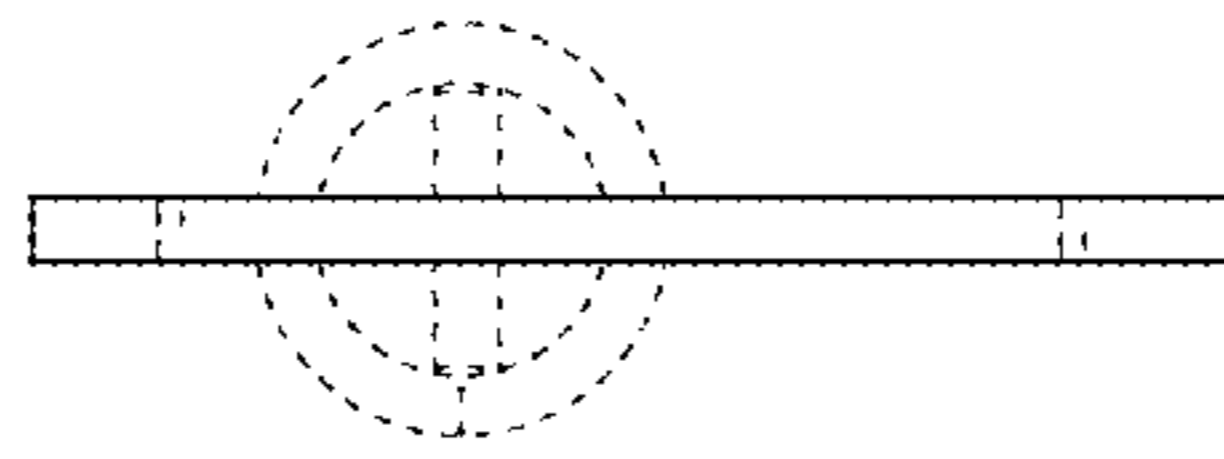


Fig. 7

