



US00D792792S

(12) **United States Design Patent**  
**White, Jr.**

(10) **Patent No.:** **US D792,792 S**  
(45) **Date of Patent:** **\*\* Jul. 25, 2017**

(54) **TAPE MEASURE ACCESSORY**

(71) Applicant: **Willie O. White, Jr.**, Pleasant Garden, NC (US)

(72) Inventor: **Willie O. White, Jr.**, Pleasant Garden, NC (US)

(\*\*) Term: **15 Years**

(21) Appl. No.: **29/557,430**

(22) Filed: **Mar. 9, 2016**

(51) **LOC (10) Cl.** ..... **10-04**

(52) **U.S. Cl.**

USPC ..... **D10/74**

(58) **Field of Classification Search**

USPC ..... D10/72, 74

CPC ..... G01B 3/1056; G01B 2003/1074; G01B 2003/1076; G01B 2003/1079

See application file for complete search history.

(56) **References Cited**

**U.S. PATENT DOCUMENTS**

6,295,739 B1 \* 10/2001 Kraft ..... G01B 3/1071 33/755

D556,065 S \* 11/2007 Jones ..... D10/74

2004/0221471 A1 \* 11/2004 Graham ..... G01B 3/1071 33/770

\* cited by examiner

*Primary Examiner* — Antoine D Davis

(74) *Attorney, Agent, or Firm* — Dunlap Bennett & Ludwig PLLC

(57) **CLAIM**

The ornamental design for a tape measure accessory, as shown and described.

**DESCRIPTION**

FIG. 1 is a front perspective view of the tape measure accessory;

FIG. 2 is a rear perspective view thereof;

FIG. 3 is a front elevation view thereof;

FIG. 4 is a rear elevation view thereof;

FIG. 5 is a left side elevation view thereof, the right side elevation view being a mirror image thereof;

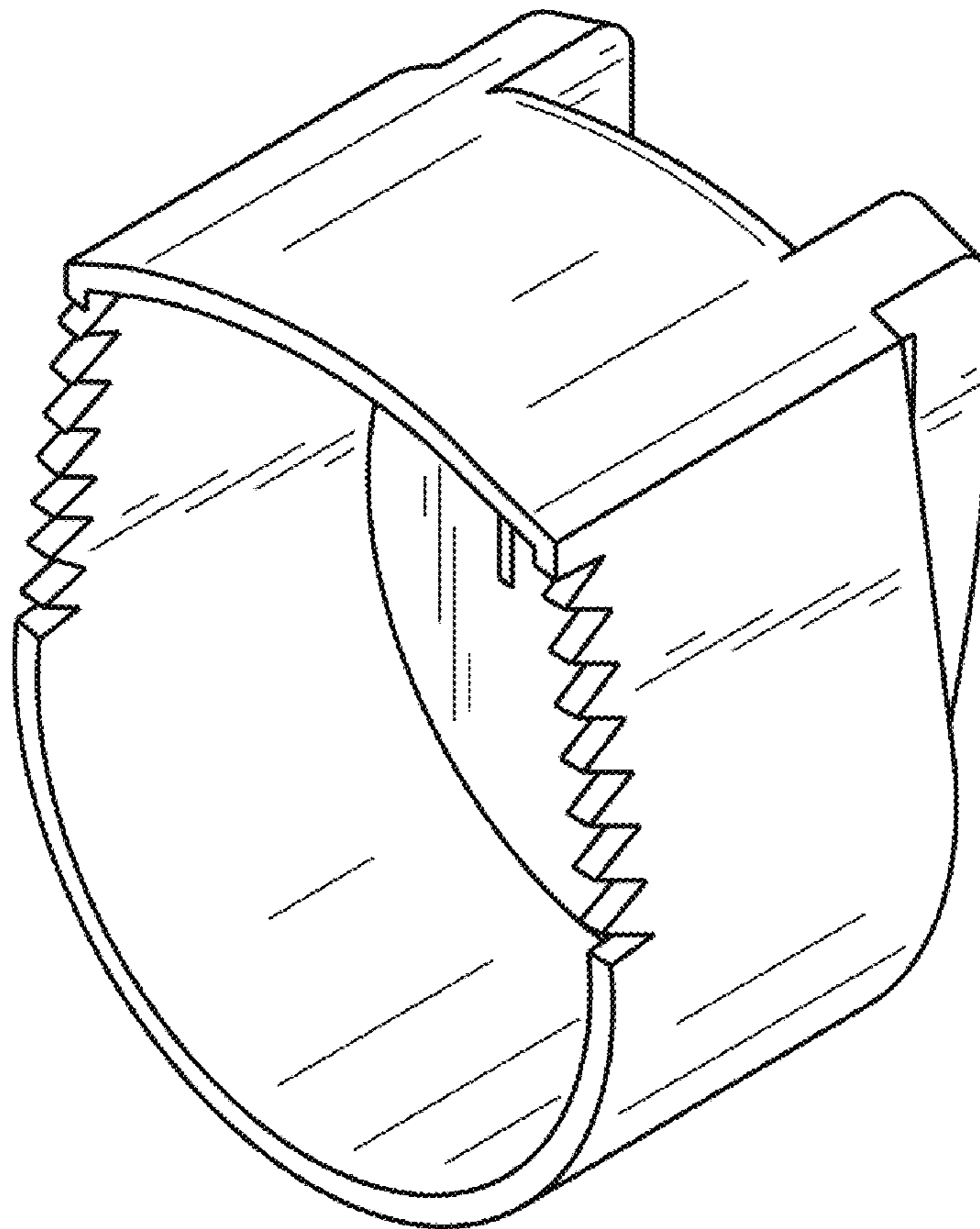
FIG. 6 is a top plan view thereof;

FIG. 7 is a bottom plan view thereof; and,

FIG. 8 is a rear perspective view thereof in use.

The broken lines showing of the tape measure accessory illustrates environment and forms no part of the claim.

**1 Claim, 3 Drawing Sheets**



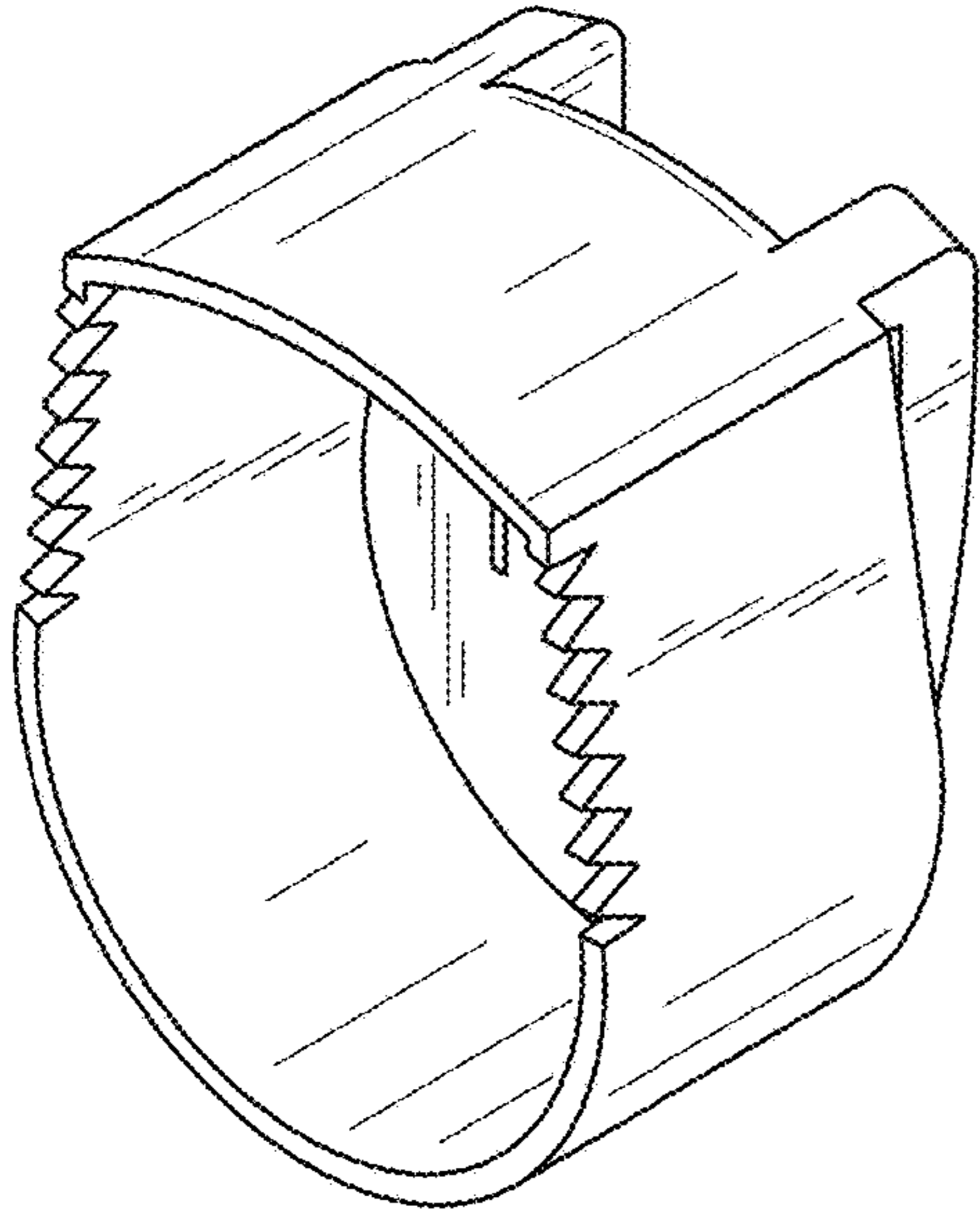


FIG. 1

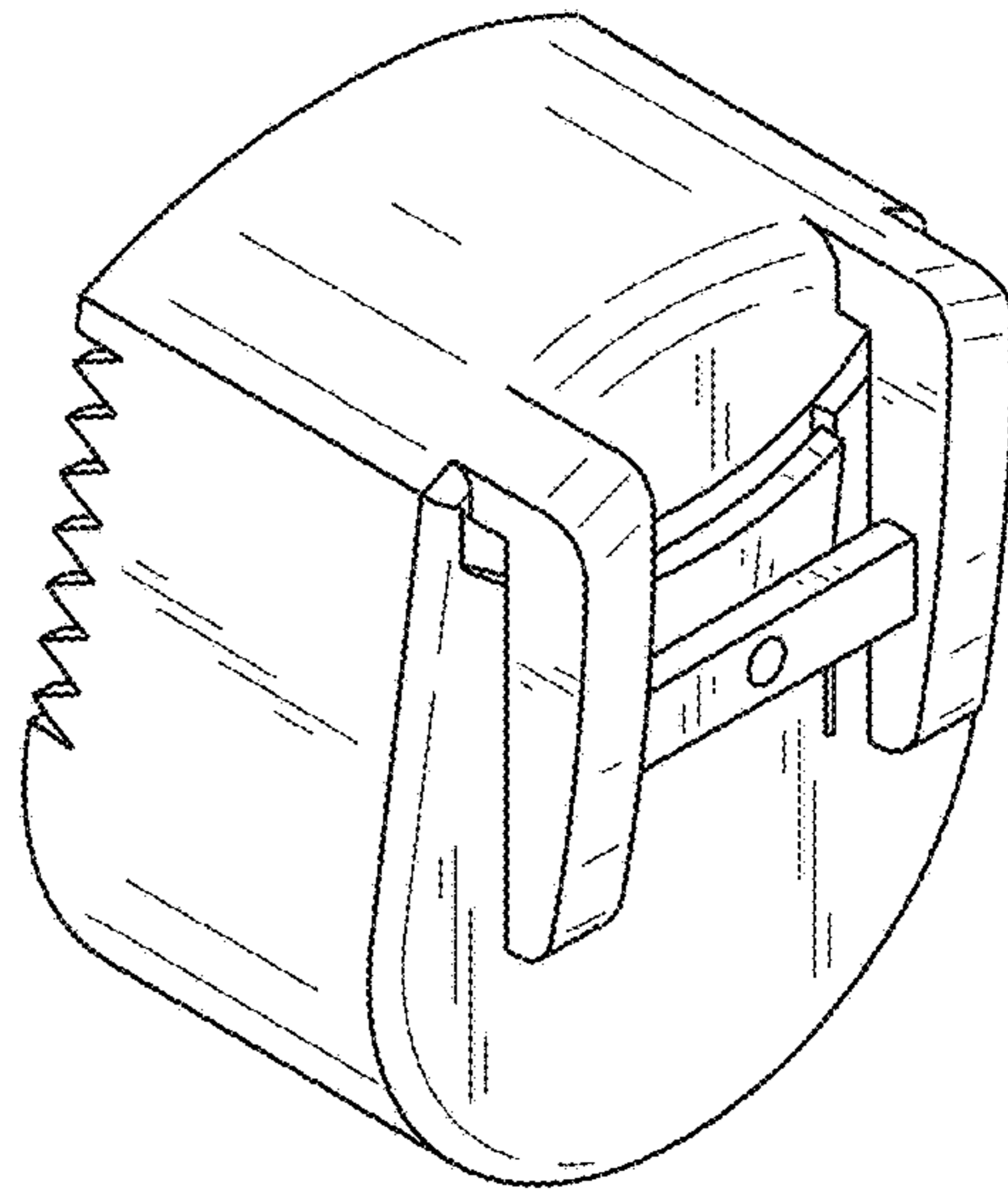


FIG. 2

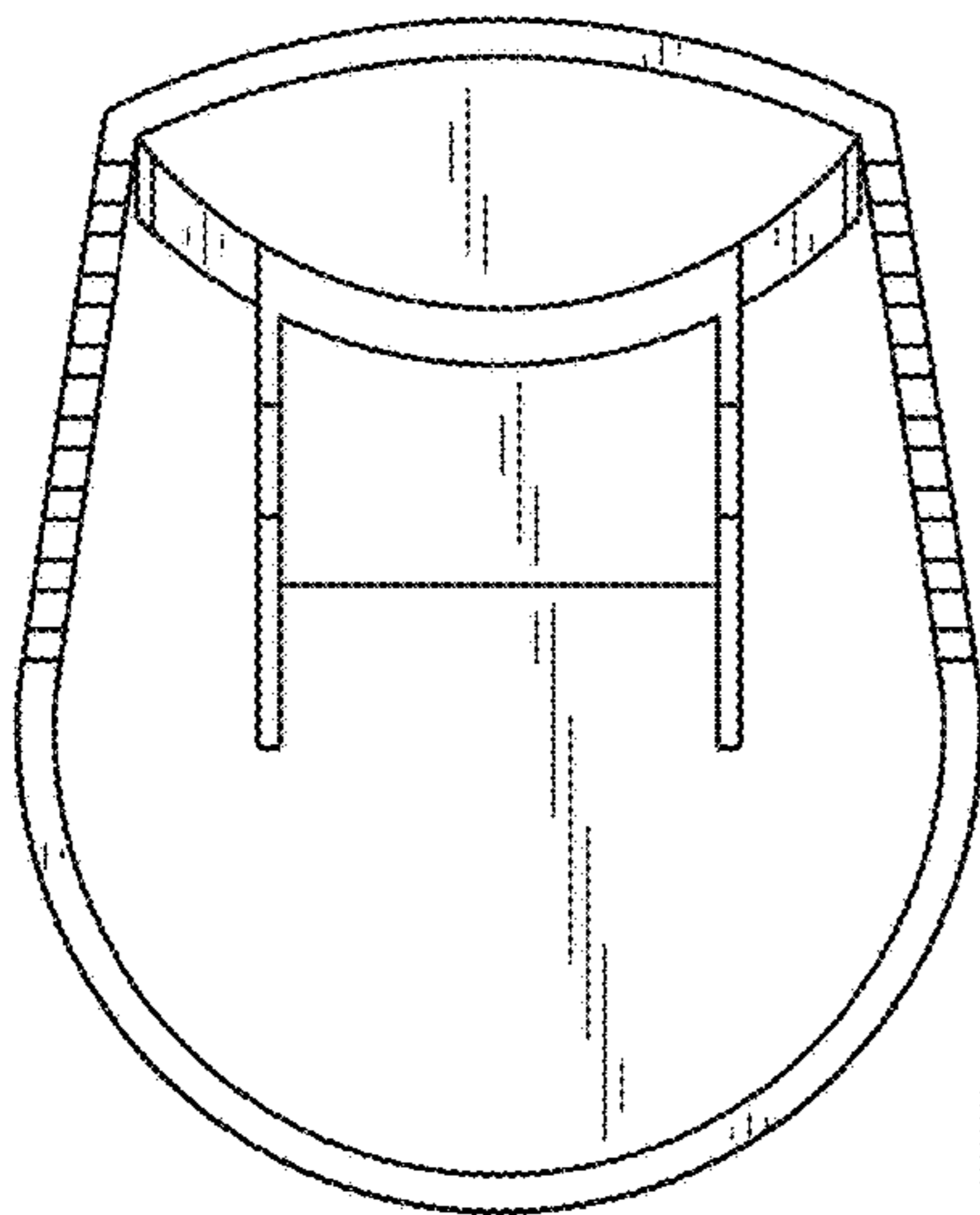


FIG. 3

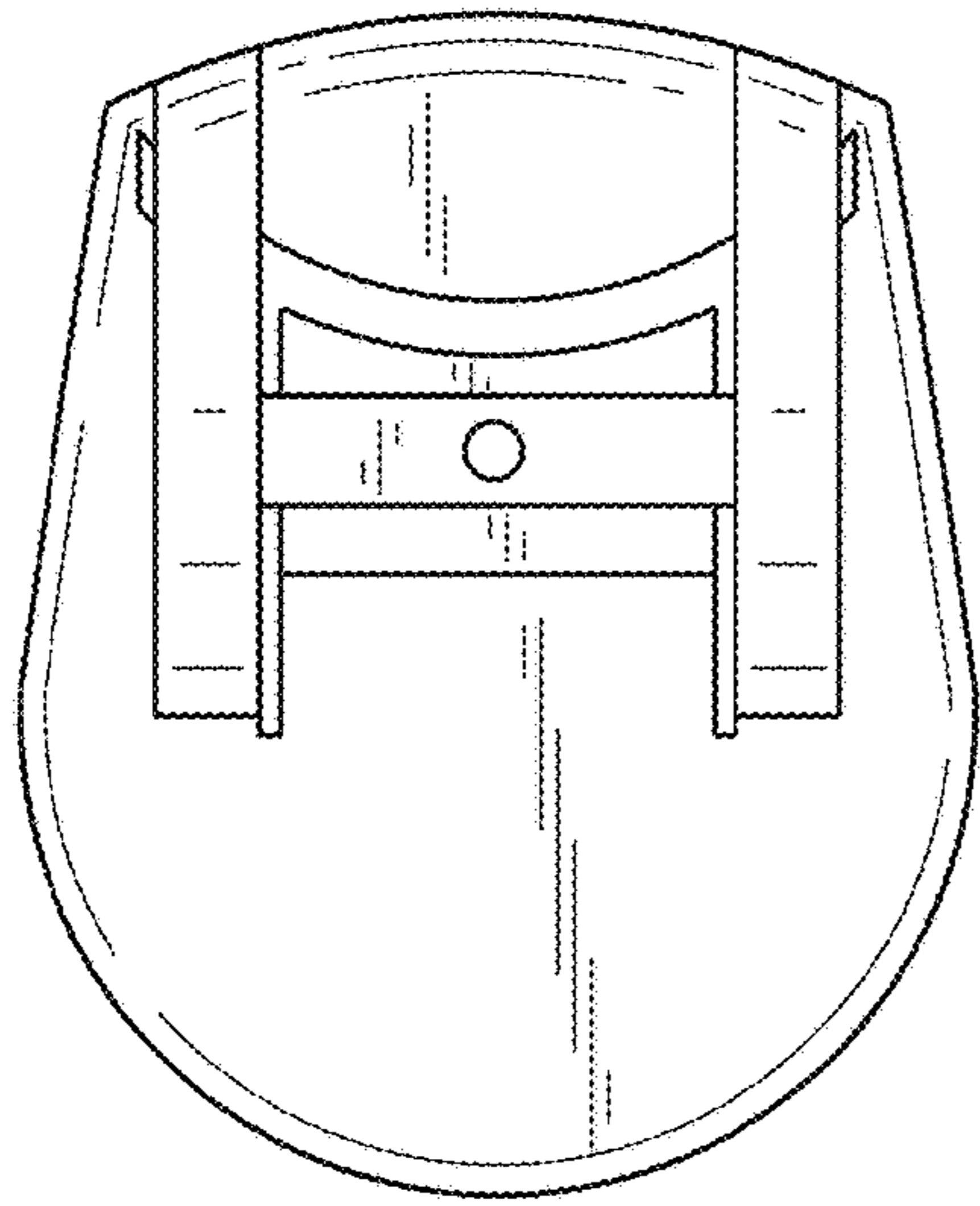


FIG. 4

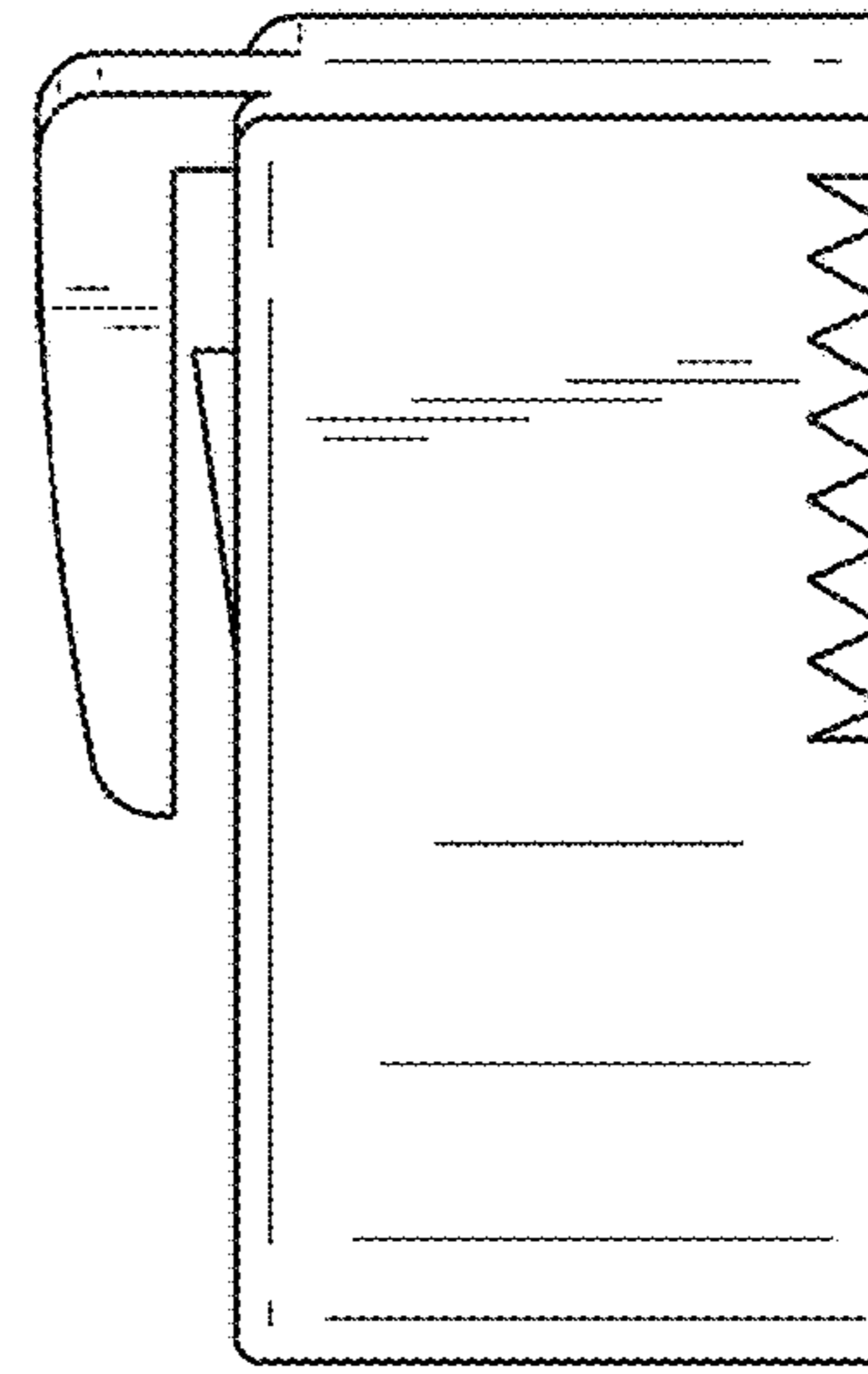


FIG. 5

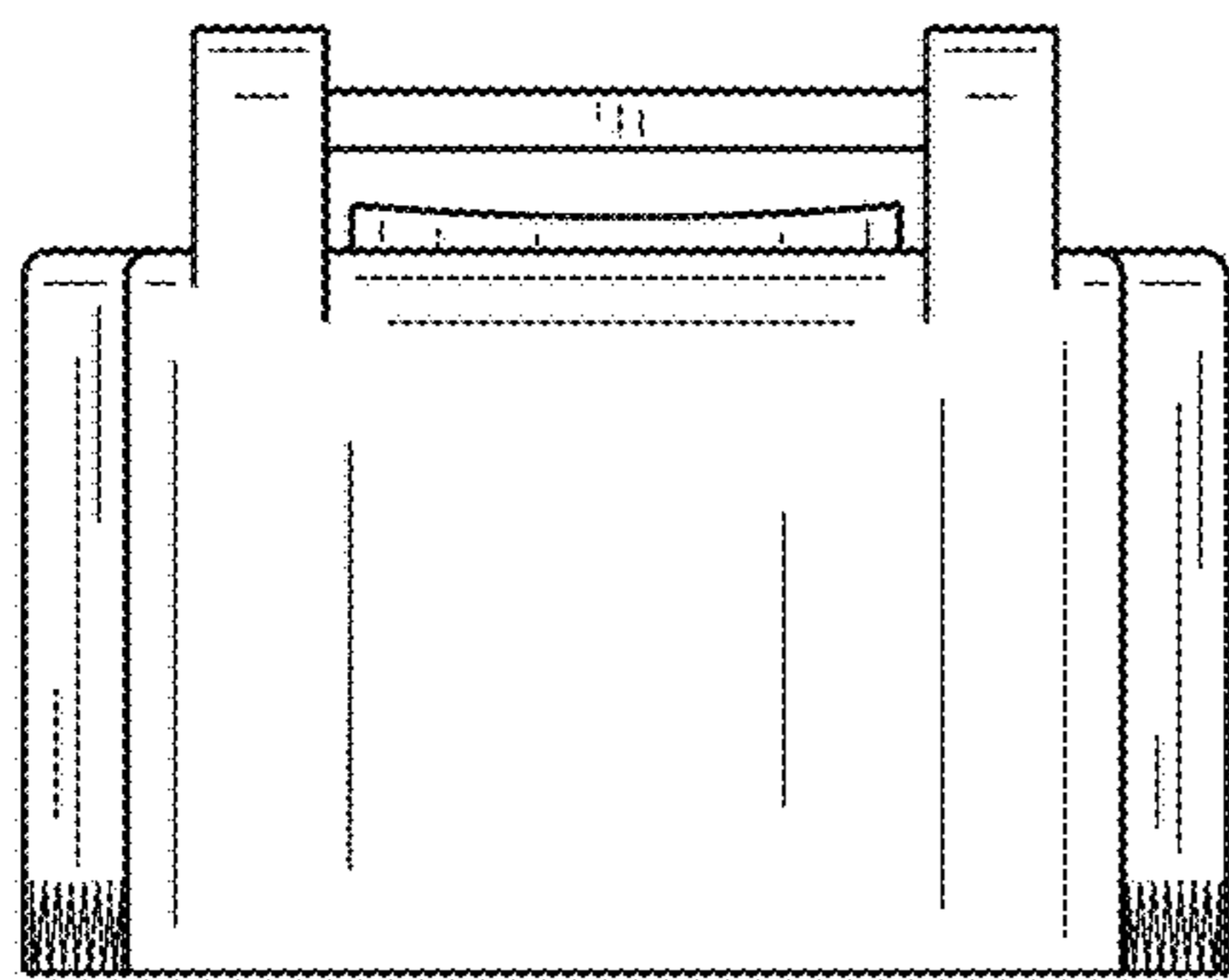


FIG. 6

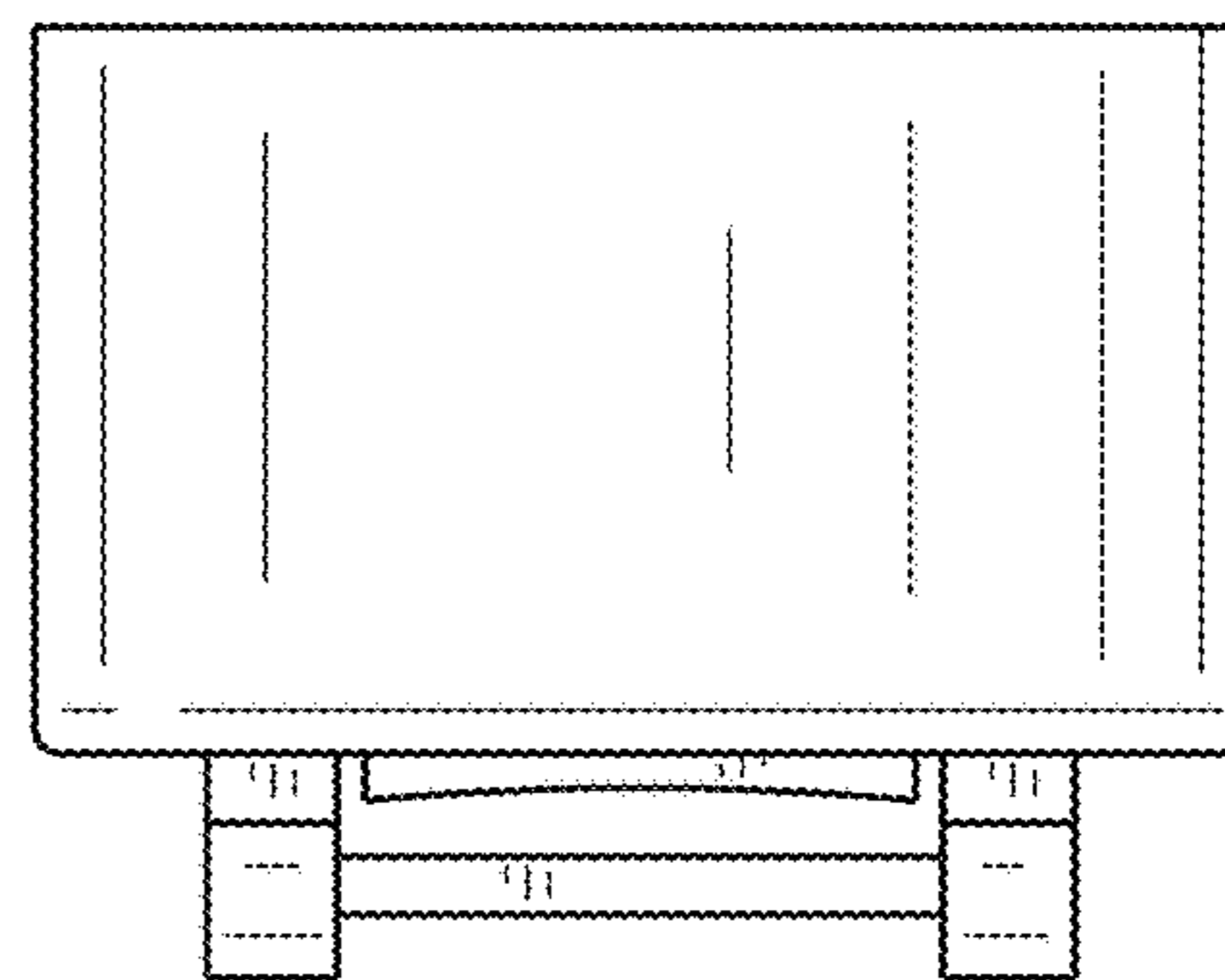


FIG. 7

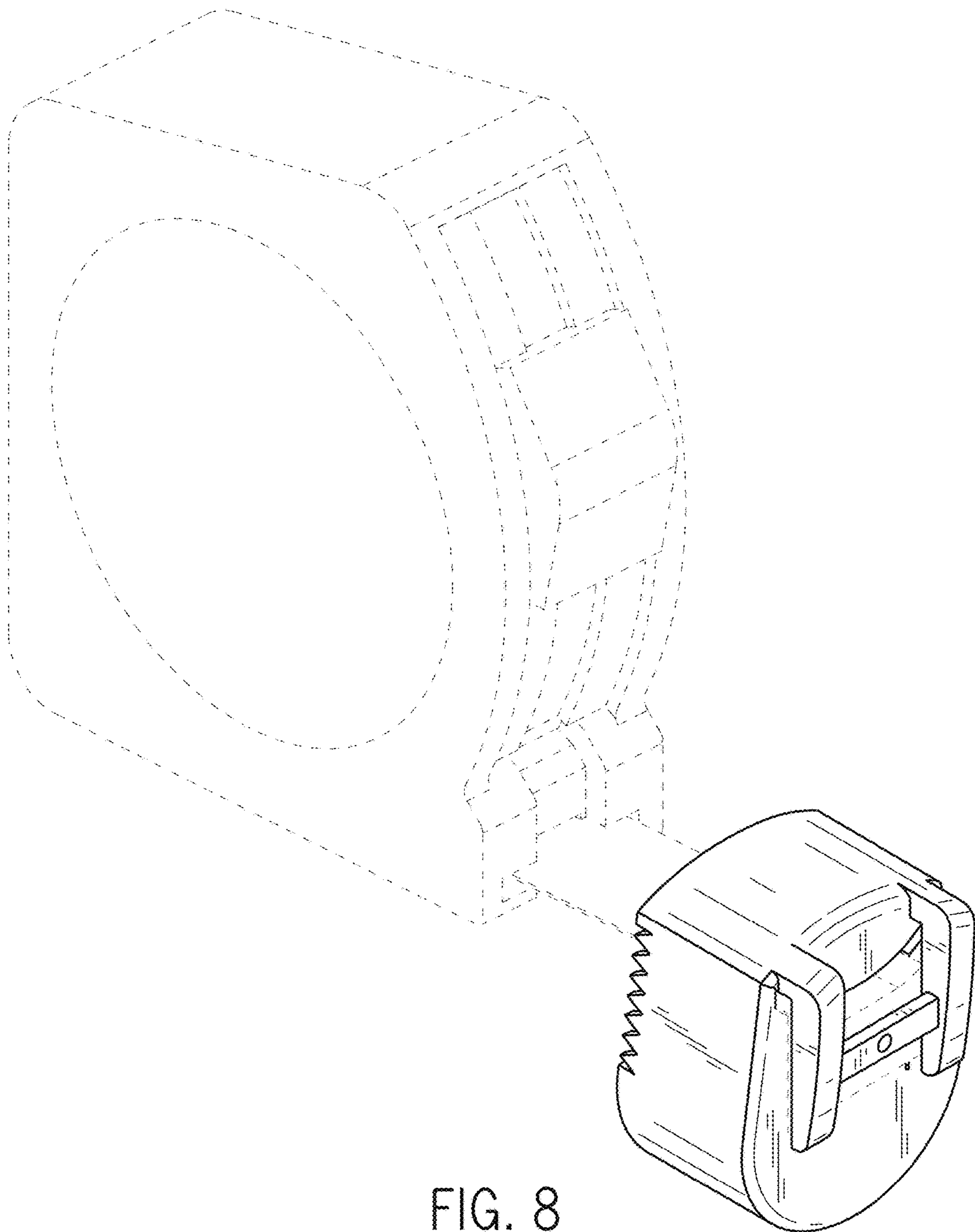


FIG. 8