



US00D792788S

(12) **United States Design Patent**
MacKay et al.

(10) **Patent No.:** **US D792,788 S**

(45) **Date of Patent:** **** Jul. 25, 2017**

(54) **PARKING METER**

(71) Applicant: **J.J. MacKay Canada Limited**, New Glasgow (CA)

(72) Inventors: **George Allan MacKay**, New Glasgow (CA); **James George MacKay**, New Glasgow (CA); **Adrian Ignatius O'Neil**, New Glasgow (CA); **Robert Steven Cosh**, Antigonish (CA); **Darren Scott Cameron**, New Glasgow (CA); **Gregory Emile Chauvin**, Brookside (CA); **David Andrew McMullin**, Ottawa (CA); **Michael Brown**, Ottawa (CA); **Matthew Watson**, Ottawa (CA)

(73) Assignee: **J.J. McKay Canada Limited**, New Glasgow, Nova Scotia (CA)

(**) Term: **15 Years**

(21) Appl. No.: **29/551,552**

(22) Filed: **Jan. 14, 2016**

(51) **LOC (10) Cl.** **10-03**

(52) **U.S. Cl.**
USPC **D10/42**

(58) **Field of Classification Search**
USPC D23/205, 362, 390; D10/40-45, 114.6; D99/28, 29, 30, 34

(Continued)

(56) **References Cited**

U.S. PATENT DOCUMENTS

D161,888 S * 2/1951 Wilkin D10/42
D234,606 S * 3/1975 Gamble D23/366
(Continued)

FOREIGN PATENT DOCUMENTS

CA 2373400 A1 * 8/2001 G07B 15/02
FR 2600448 A1 * 12/1987 G06Q 20/0652

Primary Examiner — Sheryl Lane

Assistant Examiner — Samantha Wood

(74) *Attorney, Agent, or Firm* — Lorenz & Kopf, LLP

(57) **CLAIM**

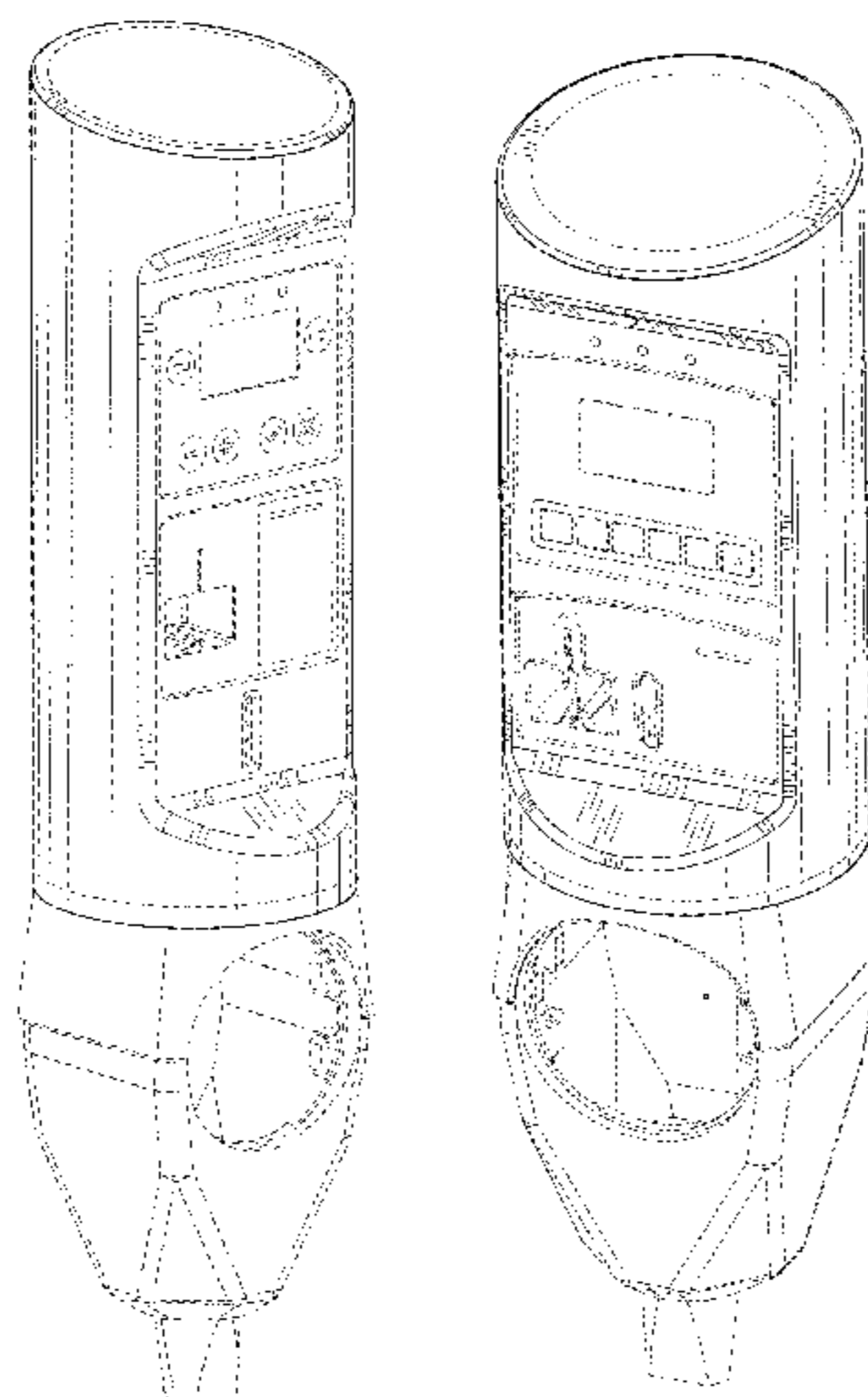
The ornamental design for a parking meter, as shown and described.

DESCRIPTION

FIG. 1 is a front perspective view of a first embodiment of a parking meter;
FIG. 2 is a rear perspective view of a first embodiment of a parking meter;
FIG. 3 is a left side view of a first embodiment of a parking meter;
FIG. 4 is a front view of a first embodiment of a parking meter;
FIG. 5 is a right side view of a first embodiment of a parking meter;
FIG. 6 is a rear view of a first embodiment of a parking meter;
FIG. 7 is a top view of a first embodiment of a parking meter;
FIG. 8 is a front perspective view of a second embodiment of a parking meter;
FIG. 9 is a rear perspective view of a second embodiment of a parking meter;
FIG. 10 is a left side view of a second embodiment of a parking meter;
FIG. 11 is a front view of a second embodiment of a parking meter;
FIG. 12 is a right side view of a second embodiment of a parking meter;
FIG. 13 is a rear view of a second embodiment of a parking meter; and,
FIG. 14 is a top view of a second embodiment of a parking meter.

The broken lines showing portions of the parking meter are included for the purpose of illustrating portions of the article and form no part of the claimed design.

1 Claim, 8 Drawing Sheets



(58) **Field of Classification Search**

CPC ... G07B 2/02; G07B 2/04; G07B 2/06; G07B
11/02; G07B 11/03; G07B 15/02; G07B
15/04; G07C 1/30; G07F 17/00; G07F
17/24; G07F 17/242; G07F 17/248

See application file for complete search history.

(56) **References Cited**

U.S. PATENT DOCUMENTS

D288,441 S *	2/1987	Lalonde	52/27
D289,914 S *	5/1987	Willinger	D23/210
D360,737 S *	7/1995	Helbig, Jr.	D99/28
D364,165 S *	11/1995	Esslinger	D14/213
D431,788 S *	10/2000	Tuxen	D10/42
D588,916 S *	3/2009	DeMarco	D9/504
D634,417 S *	3/2011	Abbondanzio	D23/366
D687,809 S *	8/2013	Bergmann	D14/209.1
D752,552 S *	3/2016	D'Ascanio	D14/216

* cited by examiner

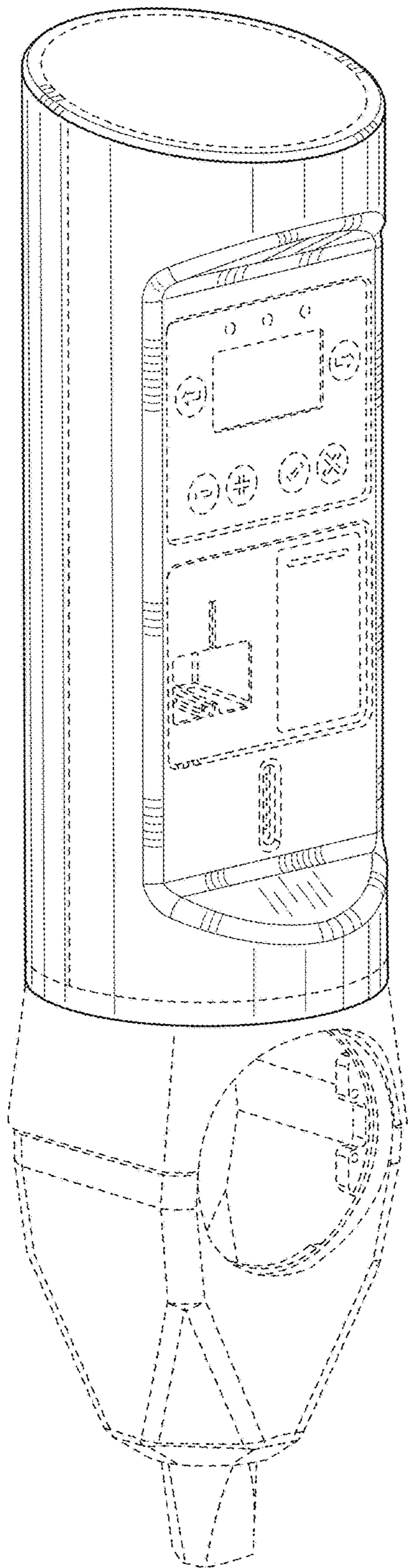


FIG. 1

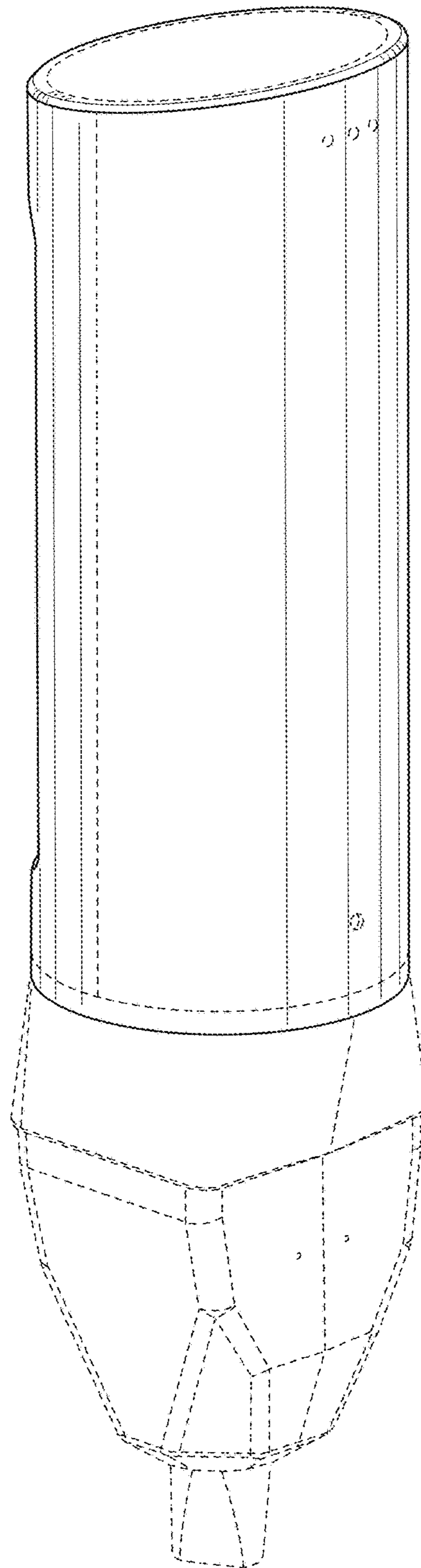


FIG. 2

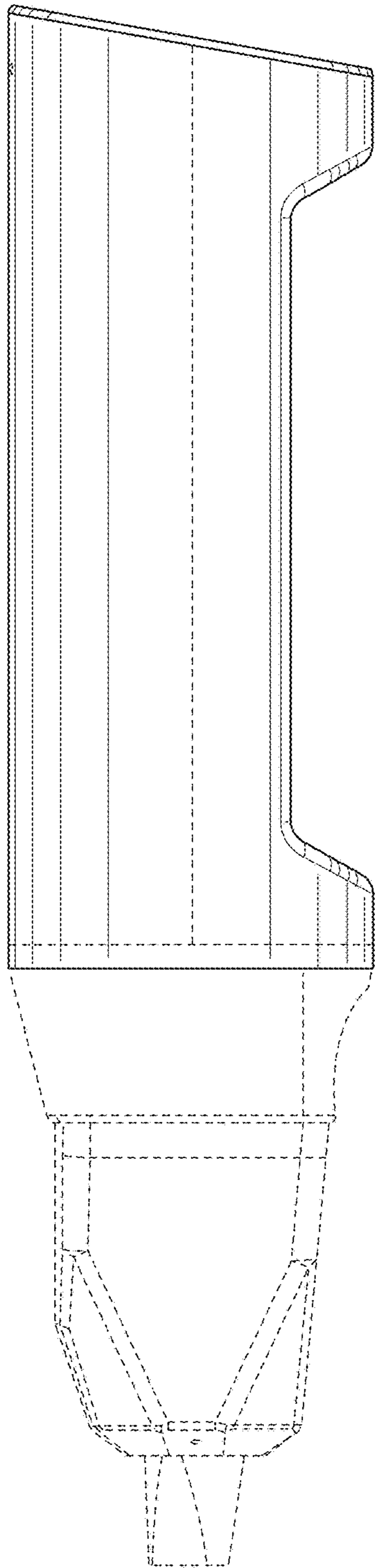


FIG. 3

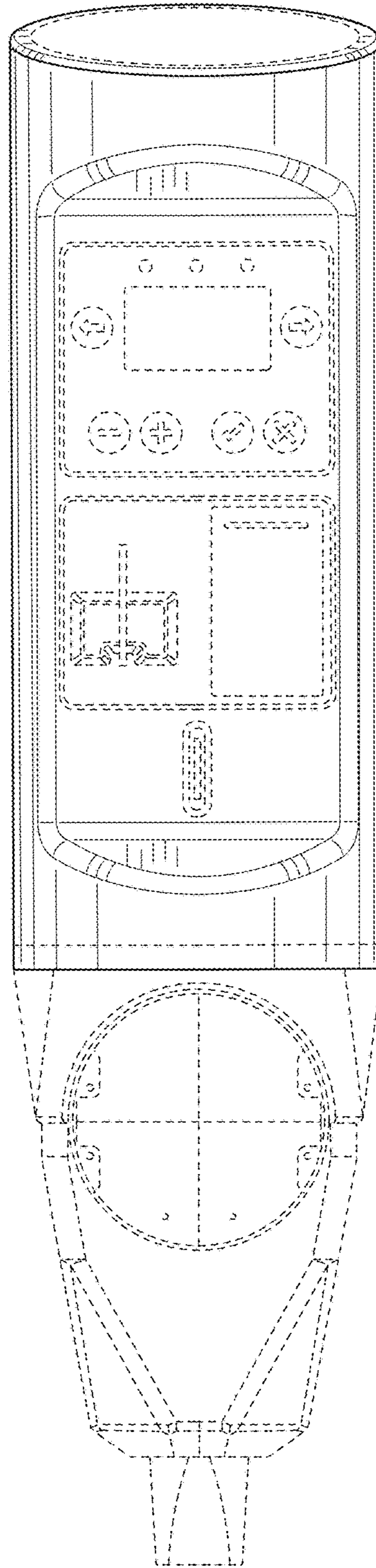


FIG. 4

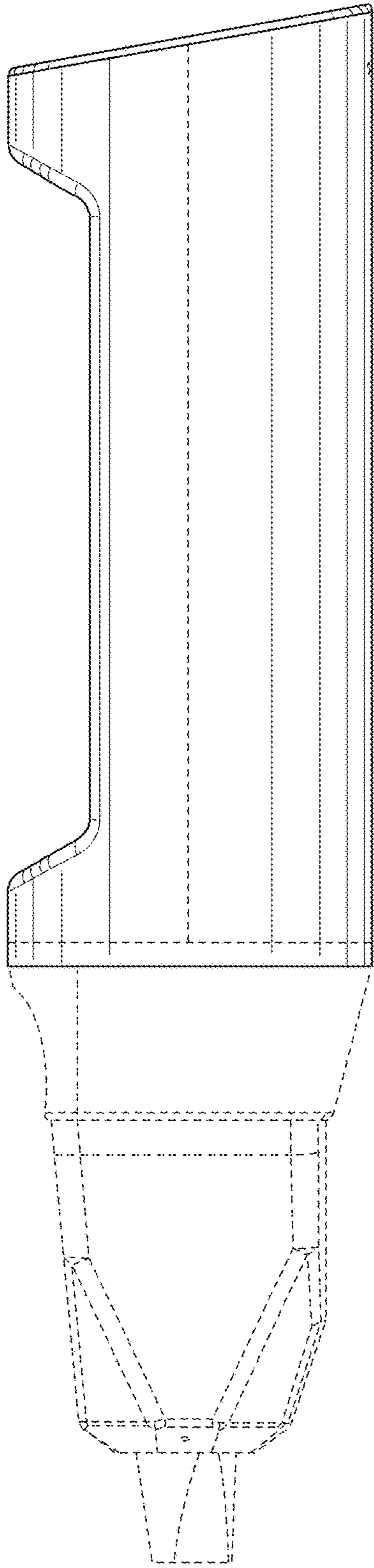


FIG. 5

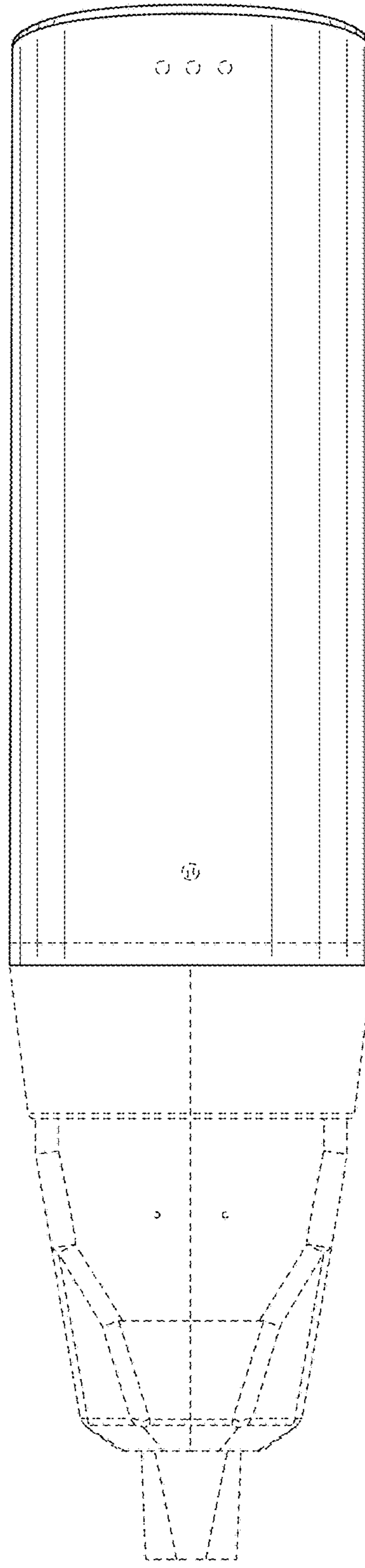


FIG. 6

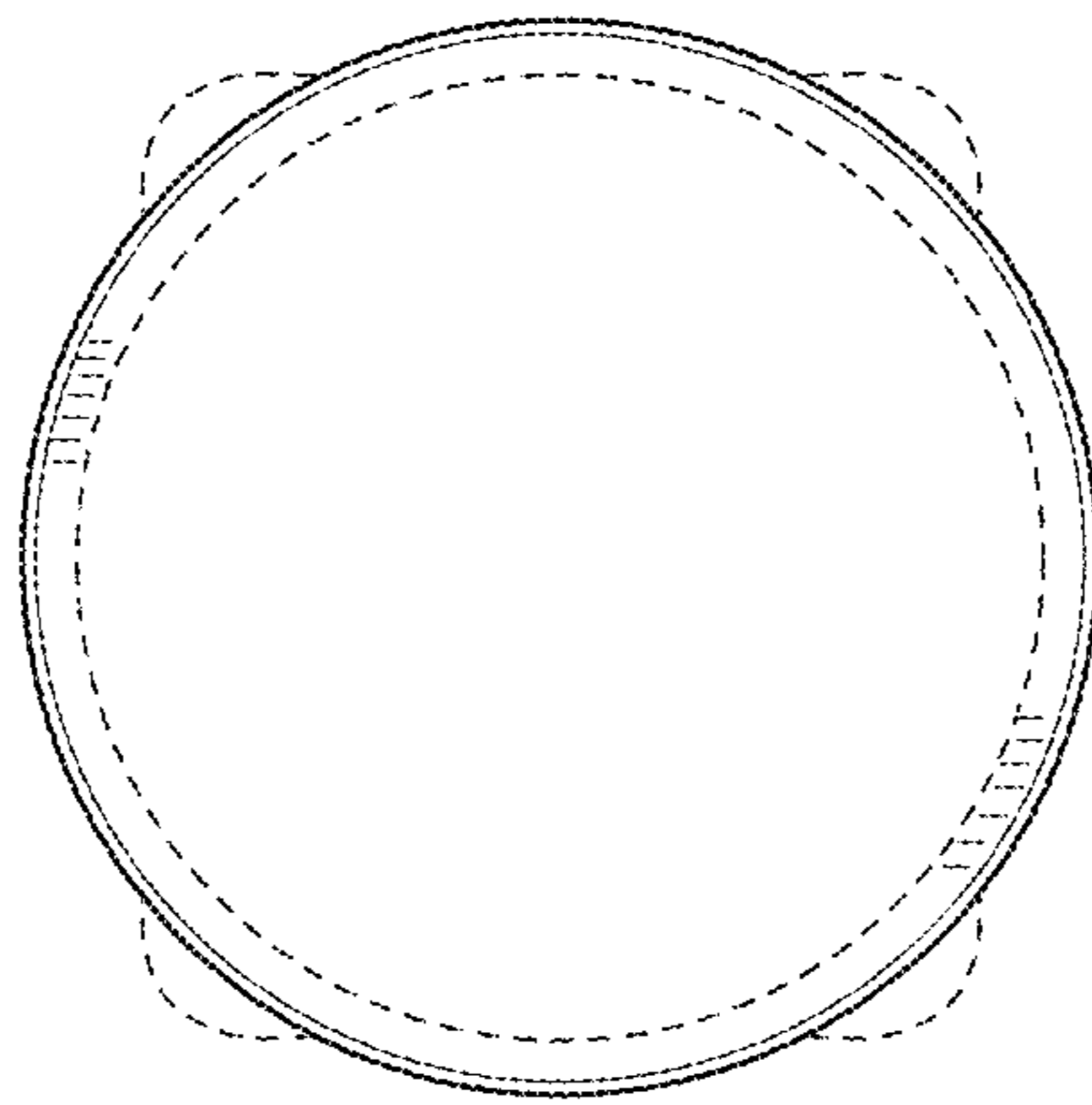


FIG. 7

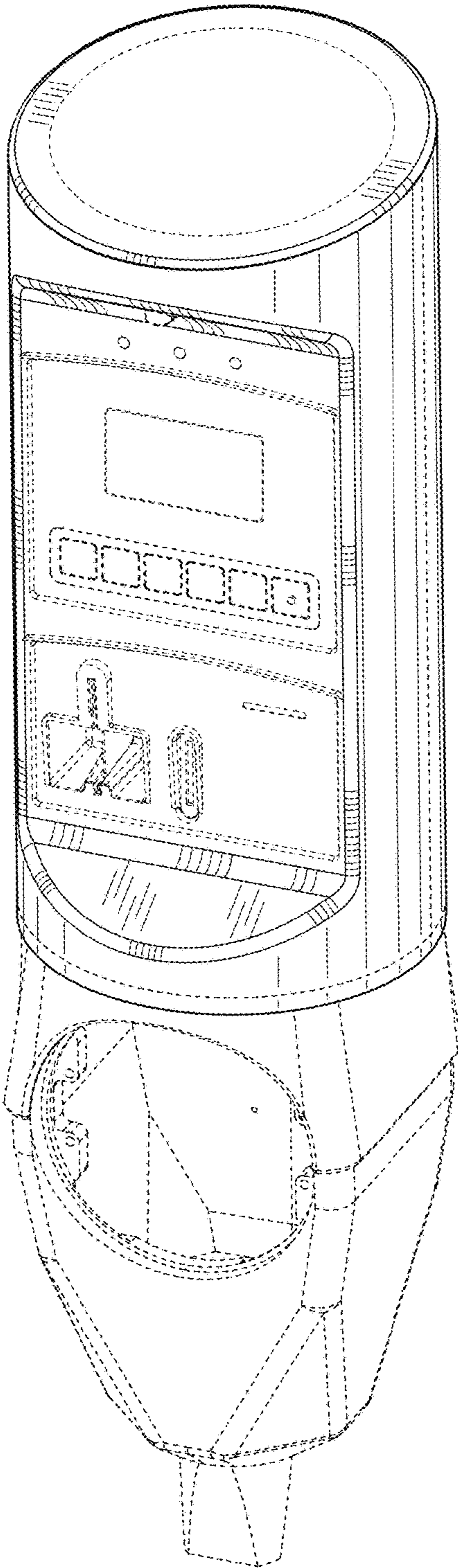


FIG. 8

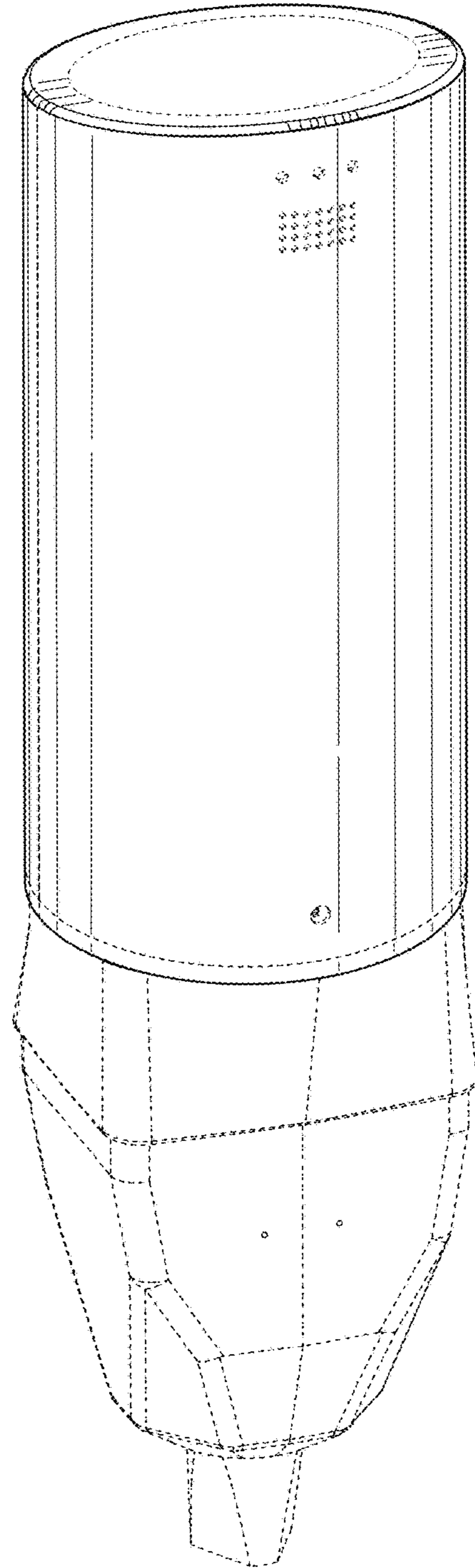


FIG. 9

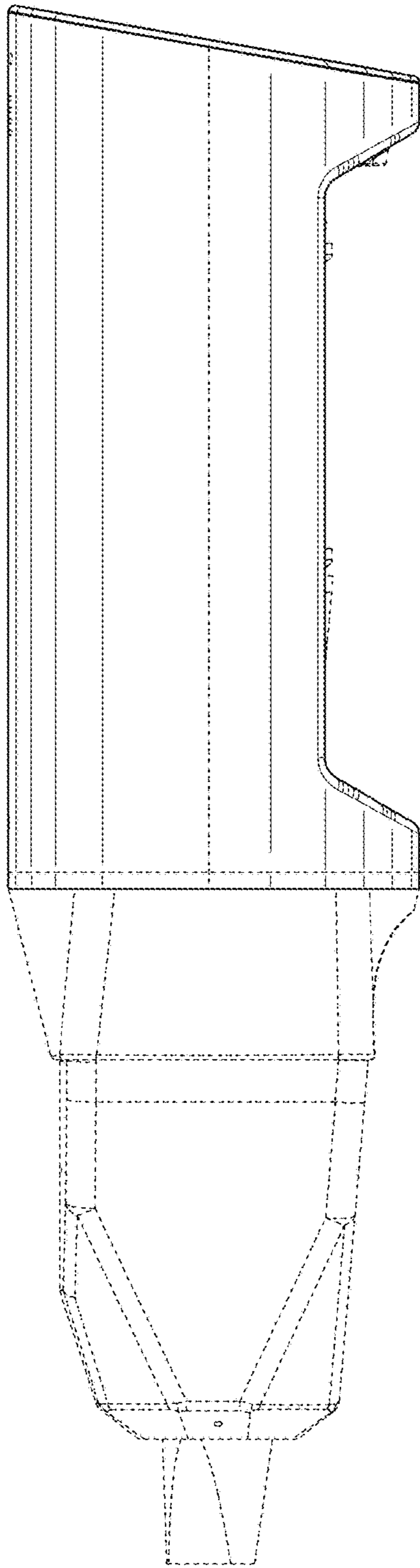


FIG. 10

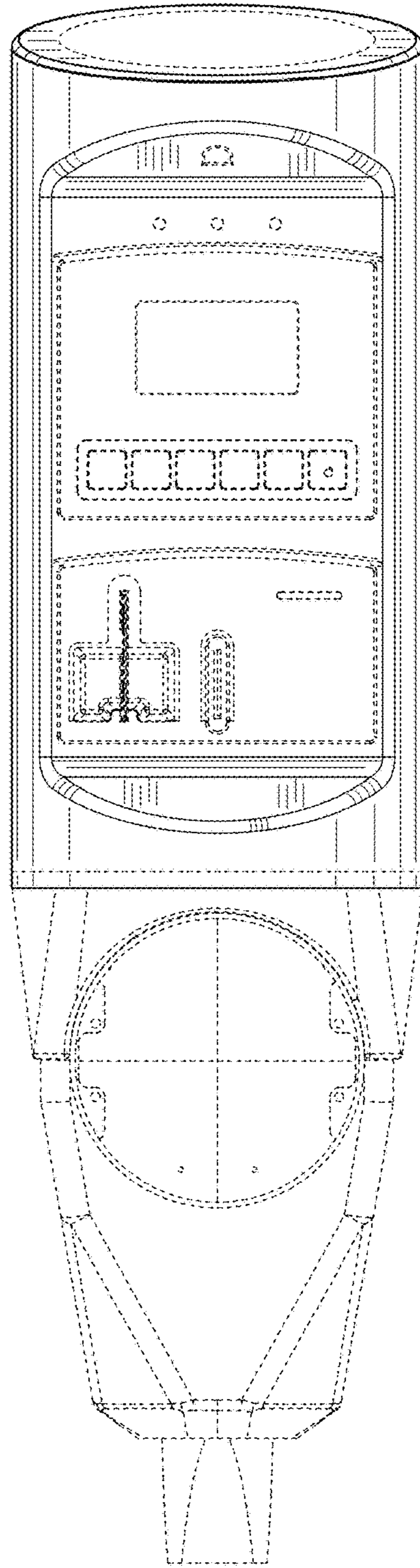


FIG. 11

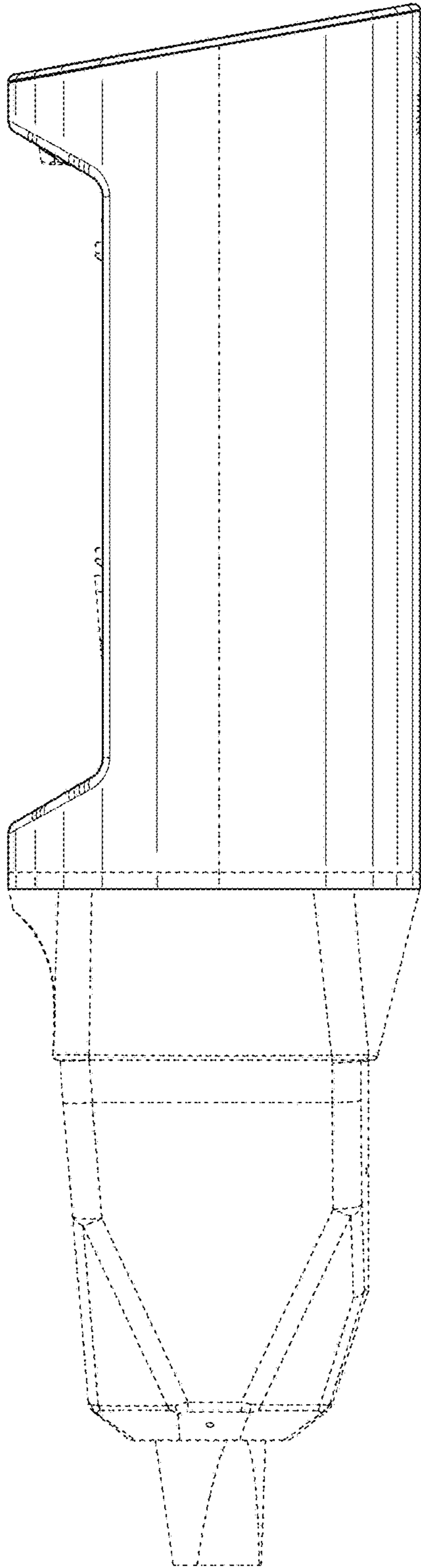


FIG. 12

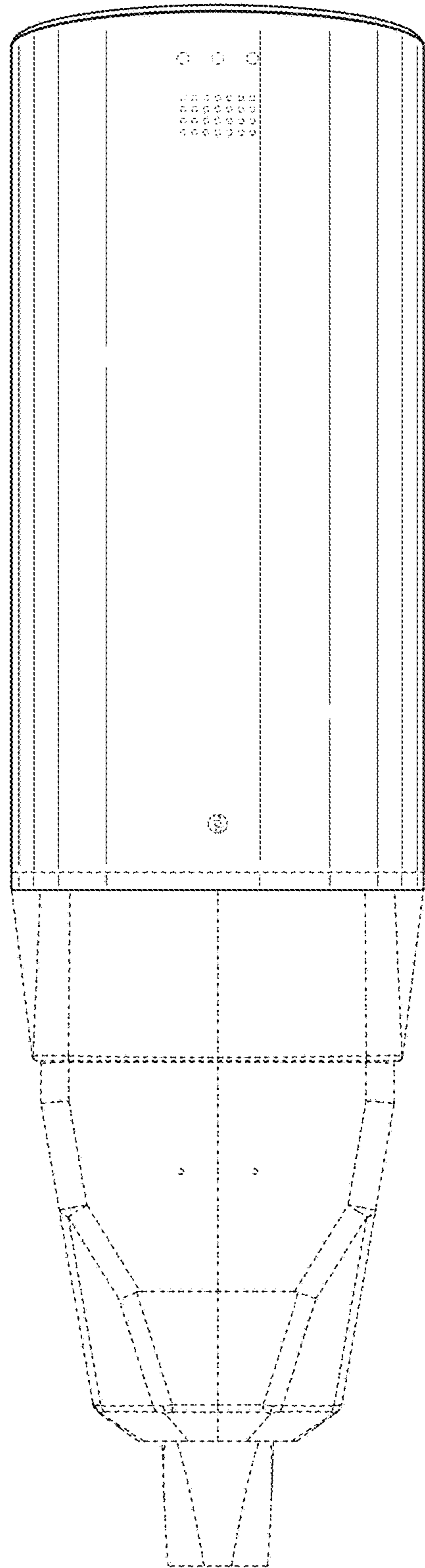


FIG. 13

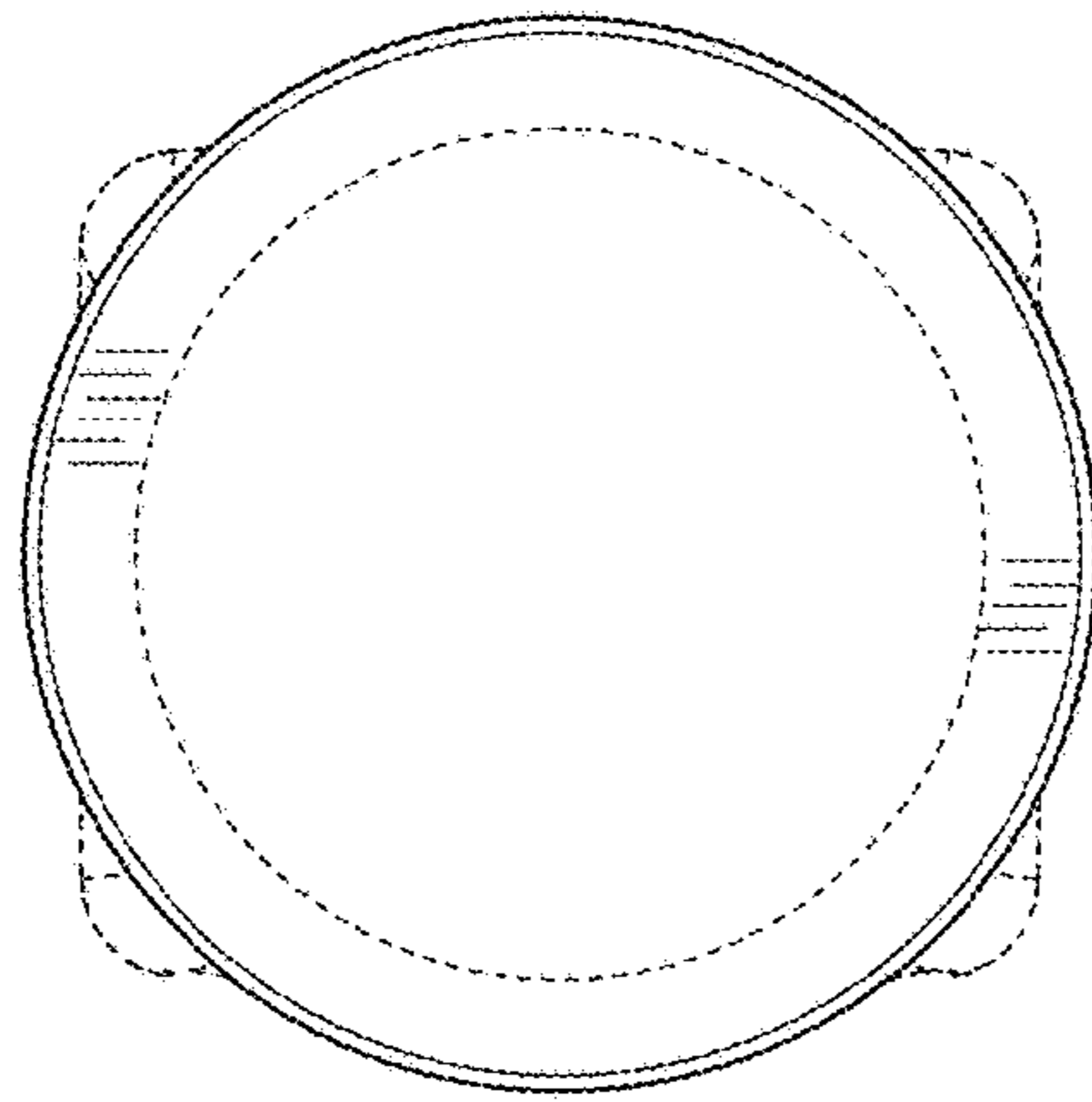


FIG. 14

UNITED STATES PATENT AND TRADEMARK OFFICE
CERTIFICATE OF CORRECTION

PATENT NO. : D792,788 S
APPLICATION NO. : 29/551552
DATED : July 25, 2017
INVENTOR(S) : MacKay et al.

Page 1 of 1

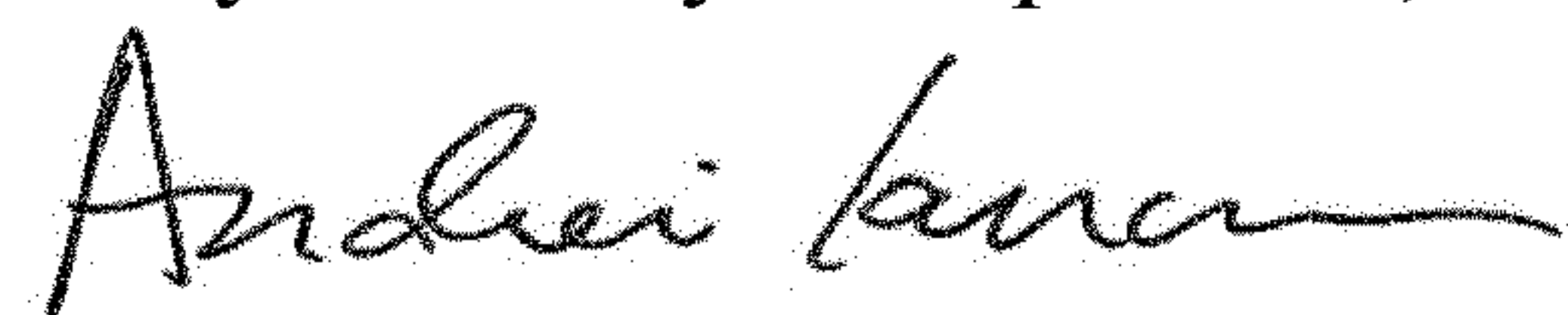
It is certified that error appears in the above-identified patent and that said Letters Patent is hereby corrected as shown below:

On the Title Page

Please insert the following Foreign Application Priority Data:

-- (30) Foreign Application Priority Data
July 15, 2015 (CA).....163328 --

Signed and Sealed this
Twenty-fifth Day of September, 2018



Andrei Iancu
Director of the United States Patent and Trademark Office