



US00D792786S

(12) **United States Design Patent**
Davoli

(10) **Patent No.:** **US D792,786 S**

(45) **Date of Patent:** **** Jul. 25, 2017**

(54) **WATCH**

(71) Applicant: **Richemont International SA,**
Villars-sur-Glane (CH)

(72) Inventor: **Laurent Davoli,** Beaumont (FR)

(73) Assignee: **Richemont International SA,**
Villars-sur-Glane (CH)

(**) Term: **15 Years**

(21) Appl. No.: **29/548,932**

(22) Filed: **Dec. 17, 2015**

(51) **LOC (10) Cl.** **10-02**

(52) **U.S. Cl.**
USPC **D10/39; D10/30**

(58) **Field of Classification Search**
USPC D10/38, 1-29, 122-132, 30, 39
CPC G04B 19/00; G04B 19/24; G04B 37/00;
G04B 37/0008; G04B 37/0058; G04B
37/08; G04B 37/081; G04B 19/18; G04B
37/1486; G04B 45/0069; G04B 47/00;
G04B 47/04; A44C 5/00; A44C 5/02
See application file for complete search history.

(56) **References Cited**

U.S. PATENT DOCUMENTS

D324,001 S *	2/1992	Kerr	D10/125
D463,748 S *	10/2002	Lepou	D10/30
D572,609 S *	7/2008	Colombo	D10/39
D630,119 S *	1/2011	Nishi	D10/126
D688,580 S *	8/2013	Delhotel	D10/124
D707,580 S *	6/2014	Cerrato	D10/126
D709,389 S *	7/2014	Monachon	D10/39
D710,730 S *	8/2014	Delhotel	D10/124
D711,750 S *	8/2014	Monachon	D10/39
D724,047 S *	3/2015	Kim	D10/38
D724,464 S *	3/2015	Behling	D10/126
D733,583 S *	7/2015	Monachon	D10/126

D735,586 S *	8/2015	Stegmann	D10/30
D742,762 S *	11/2015	Syoubayashi	D10/126
D744,863 S *	12/2015	Behling	D10/126
D746,712 S *	1/2016	Cerrato	D10/124
D746,713 S *	1/2016	Cerrato	D10/126
D747,994 S *	1/2016	Stegmann	D10/125
D748,501 S *	2/2016	Cerrato	D10/30
D750,624 S *	3/2016	Kerley	D10/38
D752,467 S *	3/2016	Schneider	D10/126
D759,510 S *	6/2016	Belamich	D10/126
D760,606 S *	7/2016	Bonadei	D10/128
D762,126 S *	7/2016	Izuka	D10/126
D762,490 S *	8/2016	Tonohori	D10/126
D762,492 S *	8/2016	Sugiura	D10/126

(Continued)

FOREIGN PATENT DOCUMENTS

EP	2400354 A1 *	12/2011	G04B 19/12
WO	WO 2016016831 A1 *	2/2016	G04B 19/14

Primary Examiner — Sheryl Lane

Assistant Examiner — Samantha Wood

(74) *Attorney, Agent, or Firm* — Taft Stettinius &
Hollister LLP

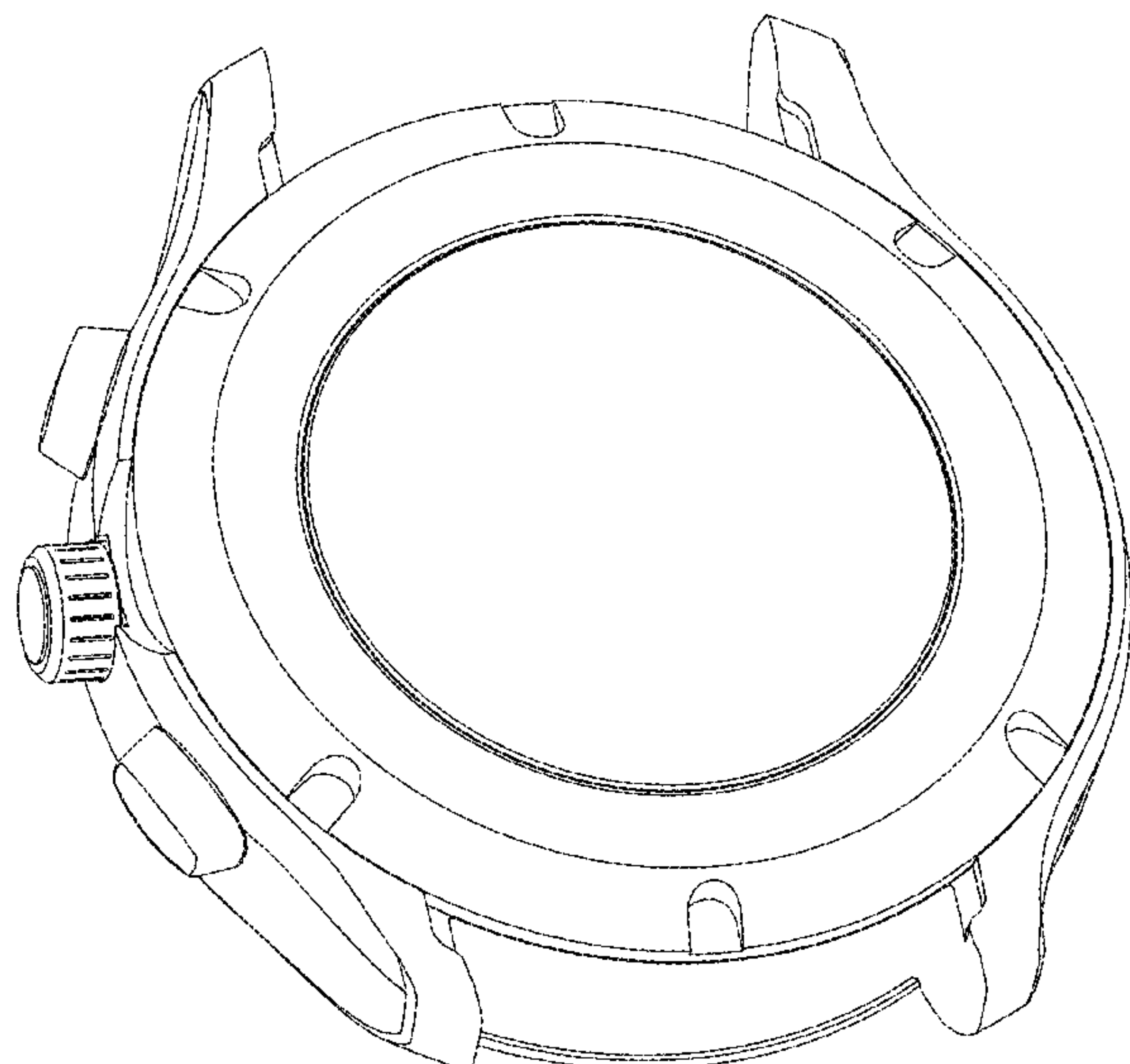
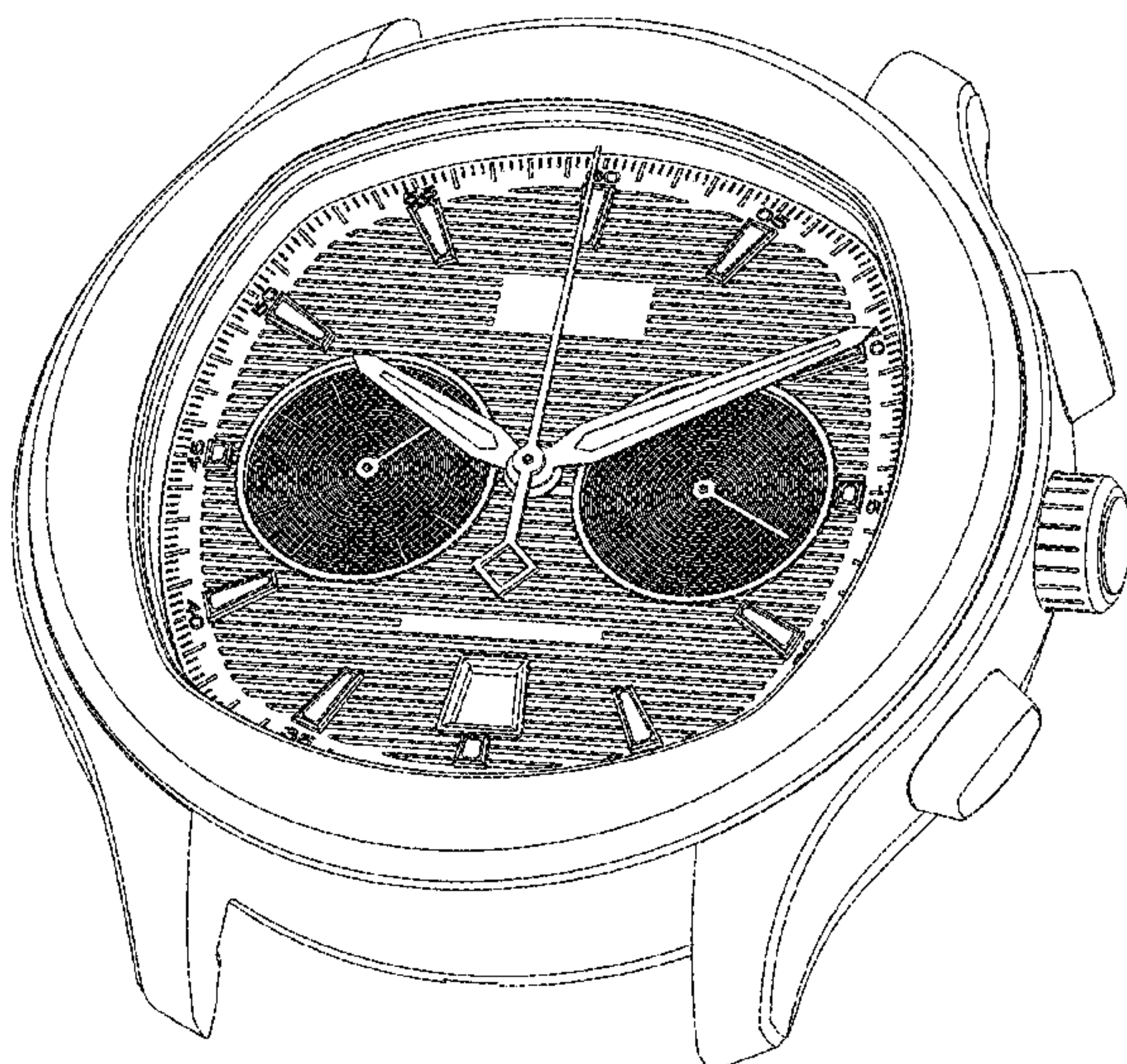
(57) **CLAIM**

The ornamental design for a watch, as shown and described.

DESCRIPTION

FIG. 1 is a front side view of watch of the present invention. FIG. 2 is a back side view of the watch of FIG. 1. FIG. 3 is a top side view of the watch of FIG. 1. FIG. 4 is a bottom side view of the watch of FIG. 1. FIG. 5 is a right side view of the watch of FIG. 1. FIG. 6 is a left side view of the watch of FIG. 1. FIG. 7 is a front, right side perspective view of the watch of FIG. 1; and, FIG. 8 is a back, right side perspective view of the watch of FIG. 1.

1 Claim, 8 Drawing Sheets



(56)

References Cited

U.S. PATENT DOCUMENTS

D765,532 S * 9/2016 Nichol D10/128
D768,017 S * 10/2016 Calvani D10/126

* cited by examiner

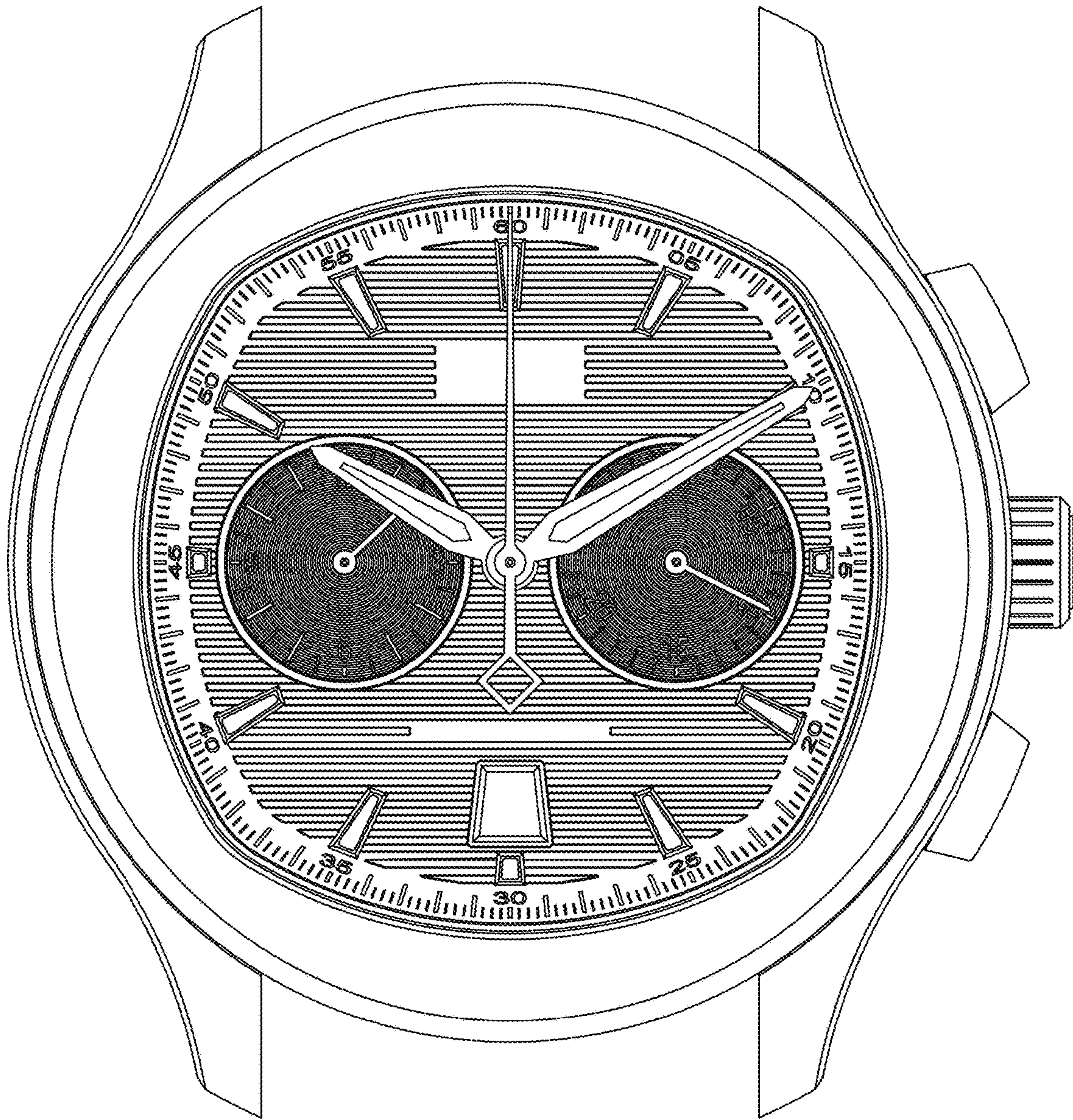


Fig. 1

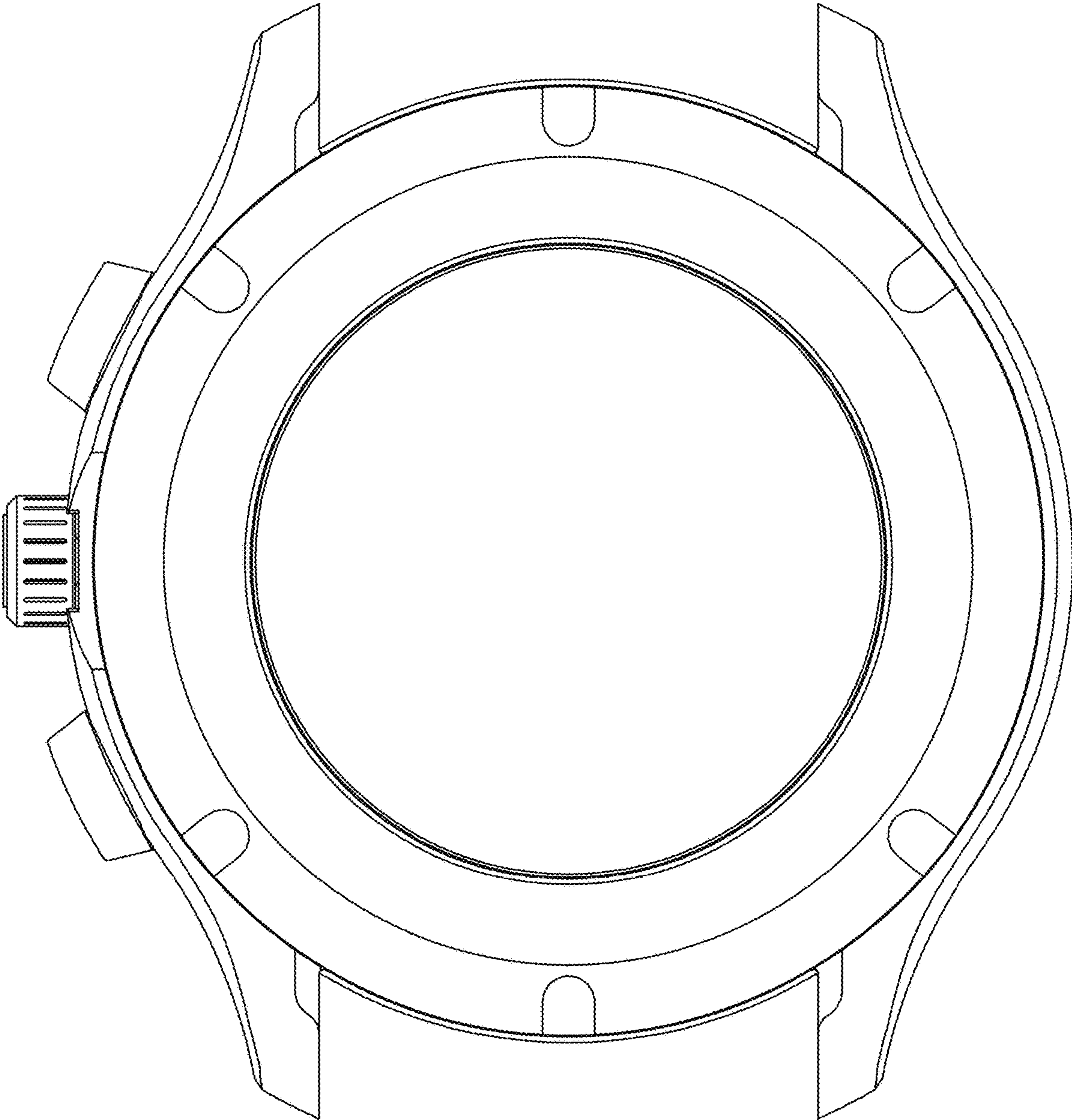


Fig. 2

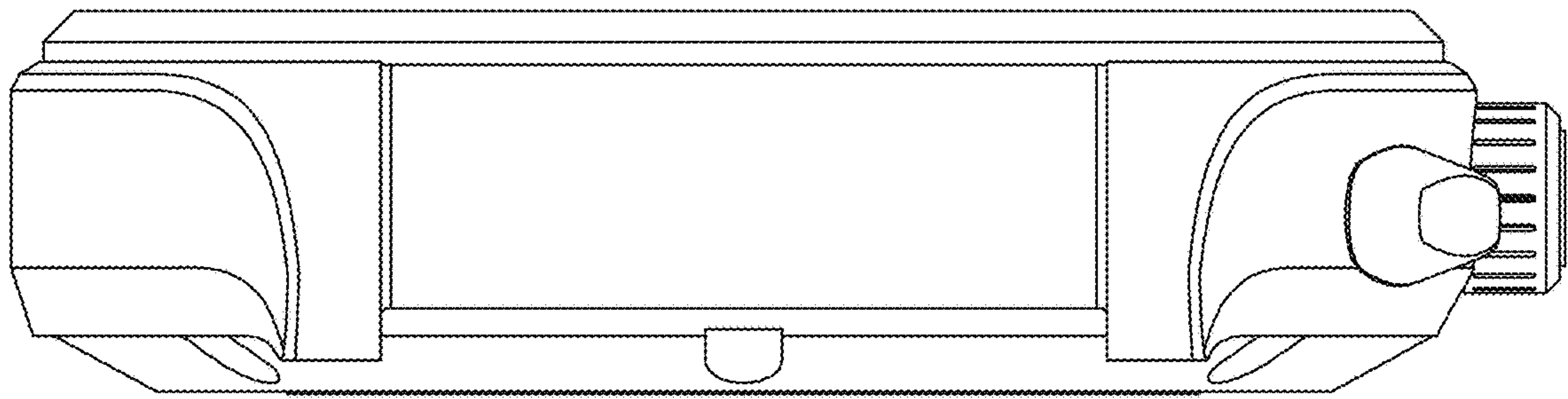


Fig. 3

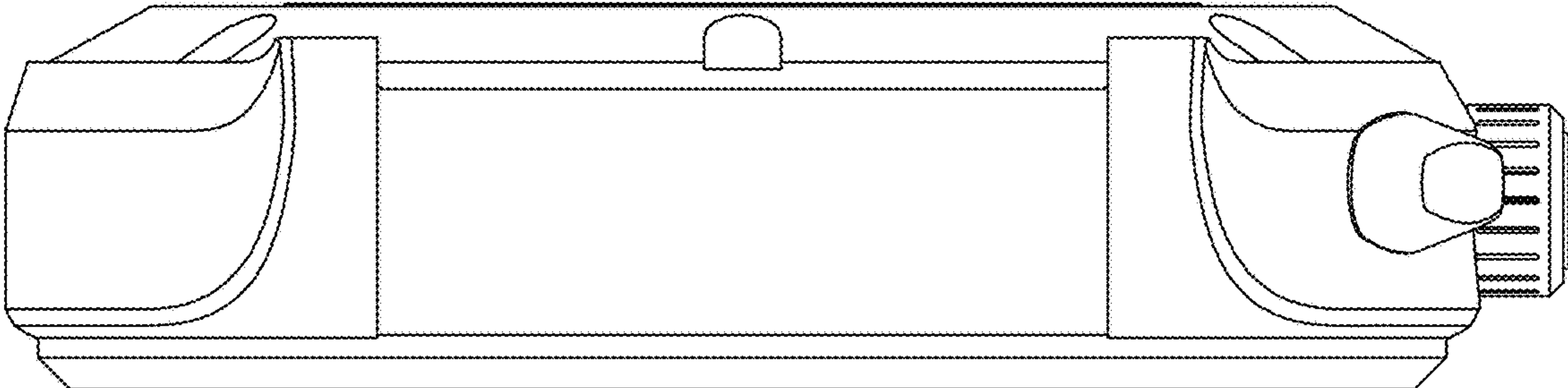


Fig. 4

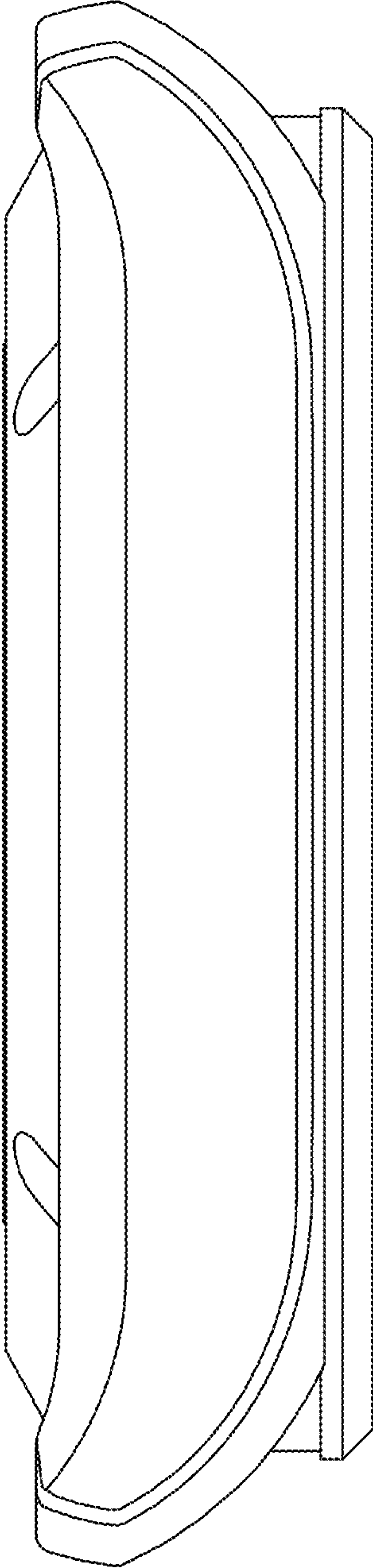


Fig. 5

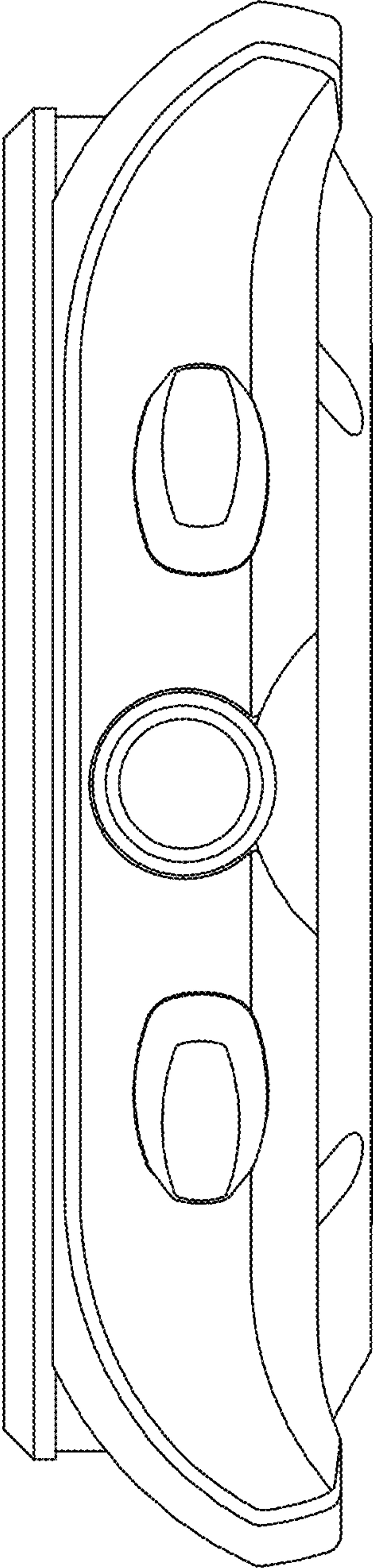


Fig. 6

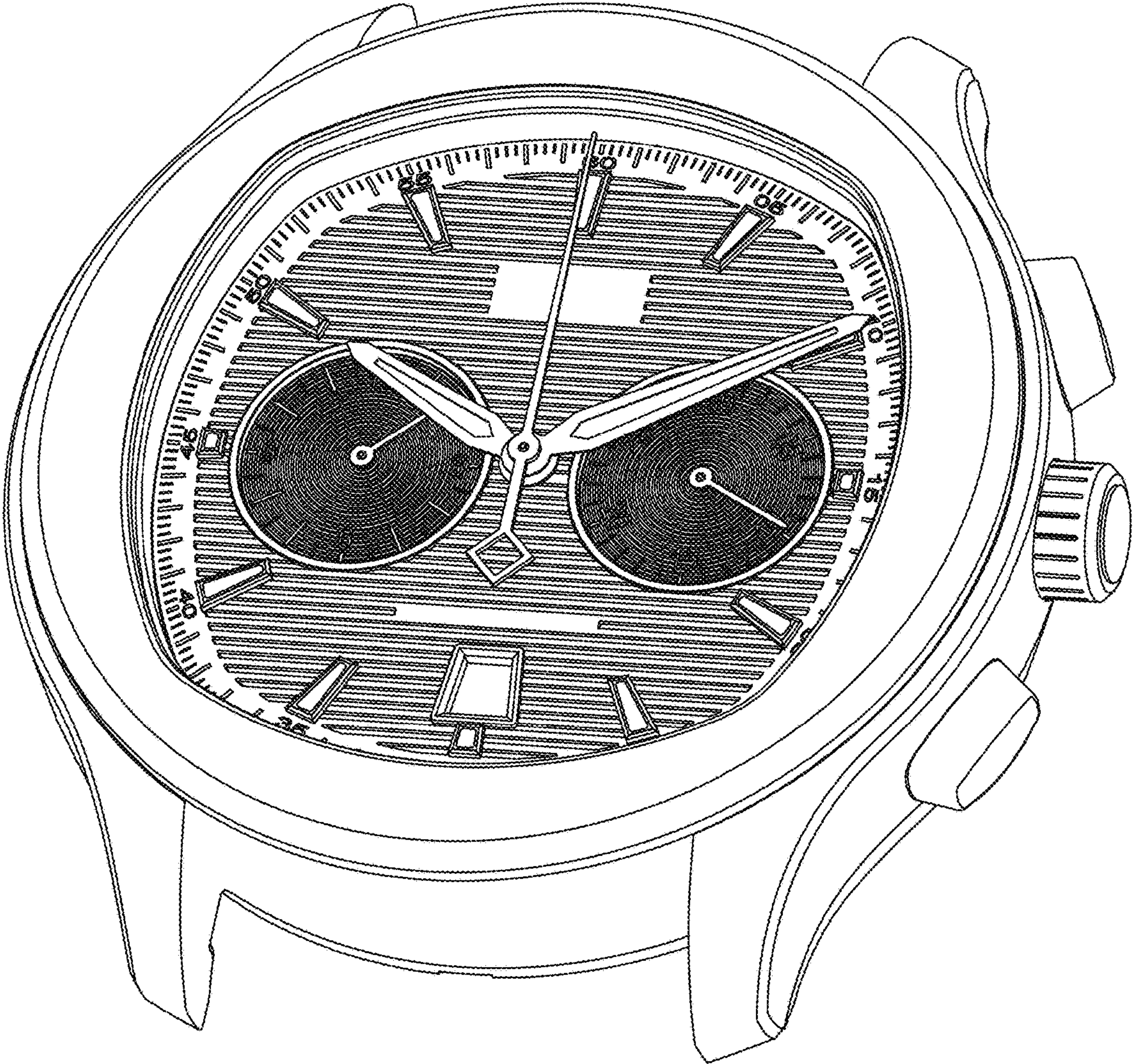


Fig. 7

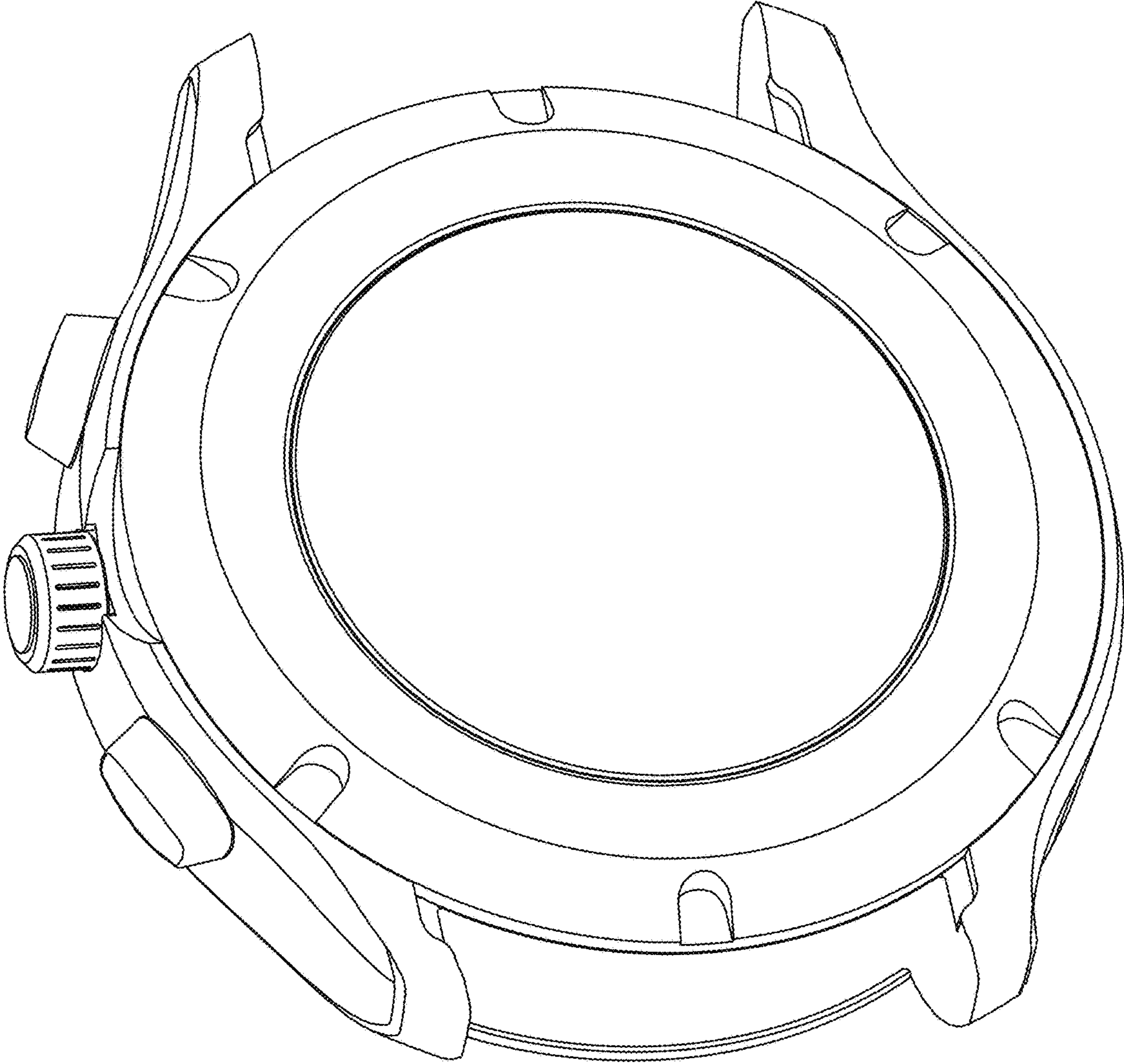


Fig. 8