



US00D792781S

(12) **United States Design Patent**
Shaver

(10) **Patent No.:** **US D792,781 S**

(45) **Date of Patent:** **** Jul. 25, 2017**

- (54) **CONTAINER**
- (71) Applicant: **Ring Container Technologies,**
Oakland, TN (US)
- (72) Inventor: **Rusty Shaver,** Oakland, TN (US)
- (73) Assignee: **RING CONTAINER**
TECHNOLOGIES, Oakland, TN (US)
- (**) Term: **14 Years**
- (21) Appl. No.: **29/509,812**
- (22) Filed: **Nov. 21, 2014**
- (51) **LOC (10) Cl.** **09-01**
- (52) **U.S. Cl.**
USPC **D9/563; D9/575**
- (58) **Field of Classification Search**
USPC D9/516, 520, 530, 542, 560, 563, 564,
D9/565, 571, 574, 715, 719
CPC B65D 1/10; B65D 1/18; B65D 1/0261;
B65D 1/0276; B65D 21/0231; B65D
23/102; B65D 25/2897
See application file for complete search history.

- D486,739 S * 2/2004 Taylor D9/530
- 6,896,147 B2 * 5/2005 Trude B65D 21/0231
206/509
- 6,935,525 B2 * 8/2005 Trude B65D 1/0223
215/381
- D573,476 S * 7/2008 Hopkins D9/537
- 7,416,090 B2 * 8/2008 Mooney B65D 1/42
215/365
- D578,007 S * 10/2008 Hestehave D9/453
- D645,756 S * 9/2011 Zummo D9/542
- D652,735 S * 1/2012 Chen D9/542
- 8,863,991 B2 * 10/2014 Cleary B65D 1/0223
215/216
- D721,973 S * 2/2015 Das D9/542
- 2011/0024385 A1 * 2/2011 Lewis B65D 1/0276
215/381
- 2012/0118899 A1 * 5/2012 Wurster B65D 1/0261
220/600

* cited by examiner

Primary Examiner — Ian Simmons

Assistant Examiner — Keith Frank

(74) *Attorney, Agent, or Firm* — Sorell, Lenna &
Schmidt, LLP

(57) **CLAIM**

The ornamental design for a container, as shown and described.

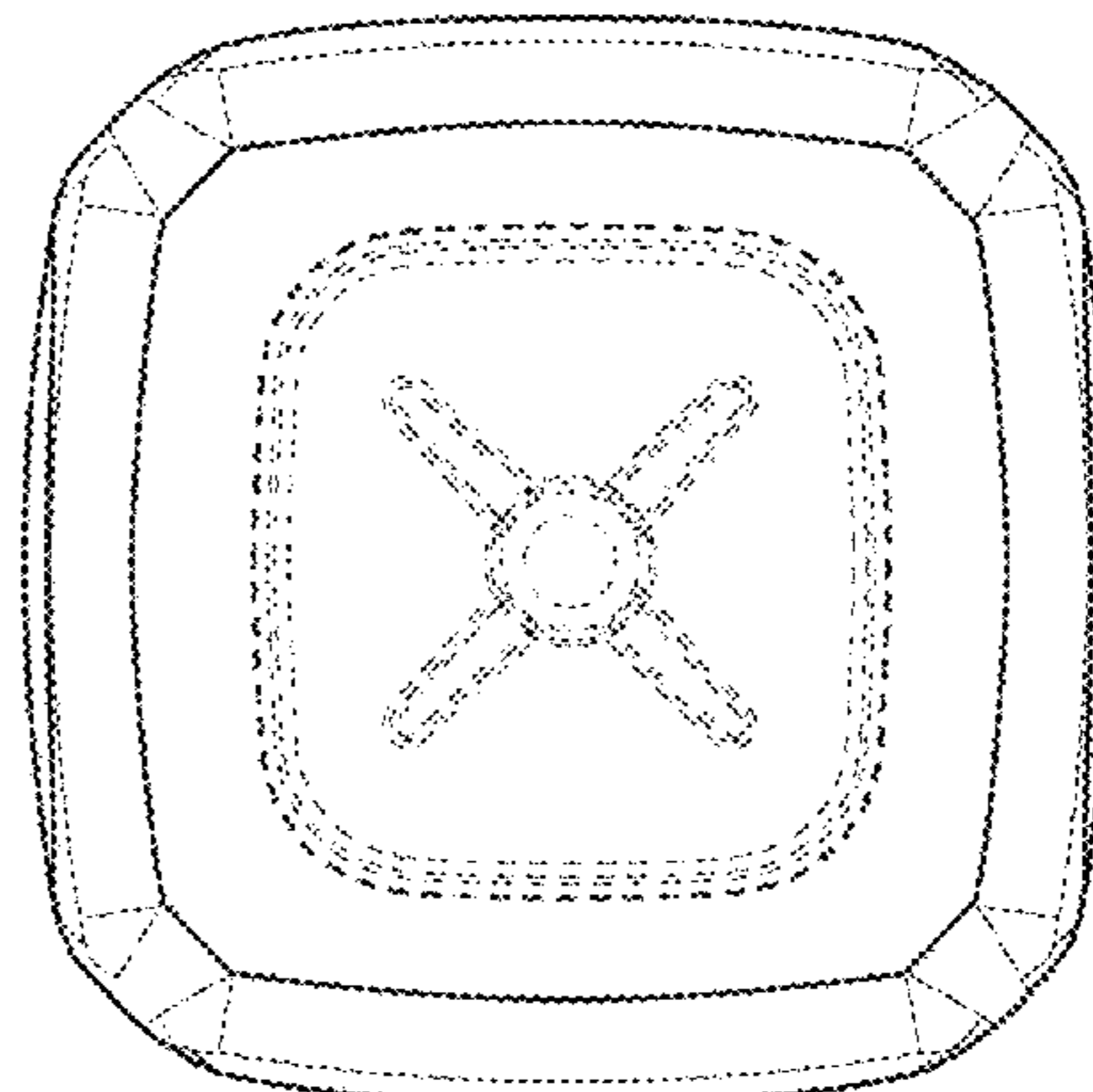
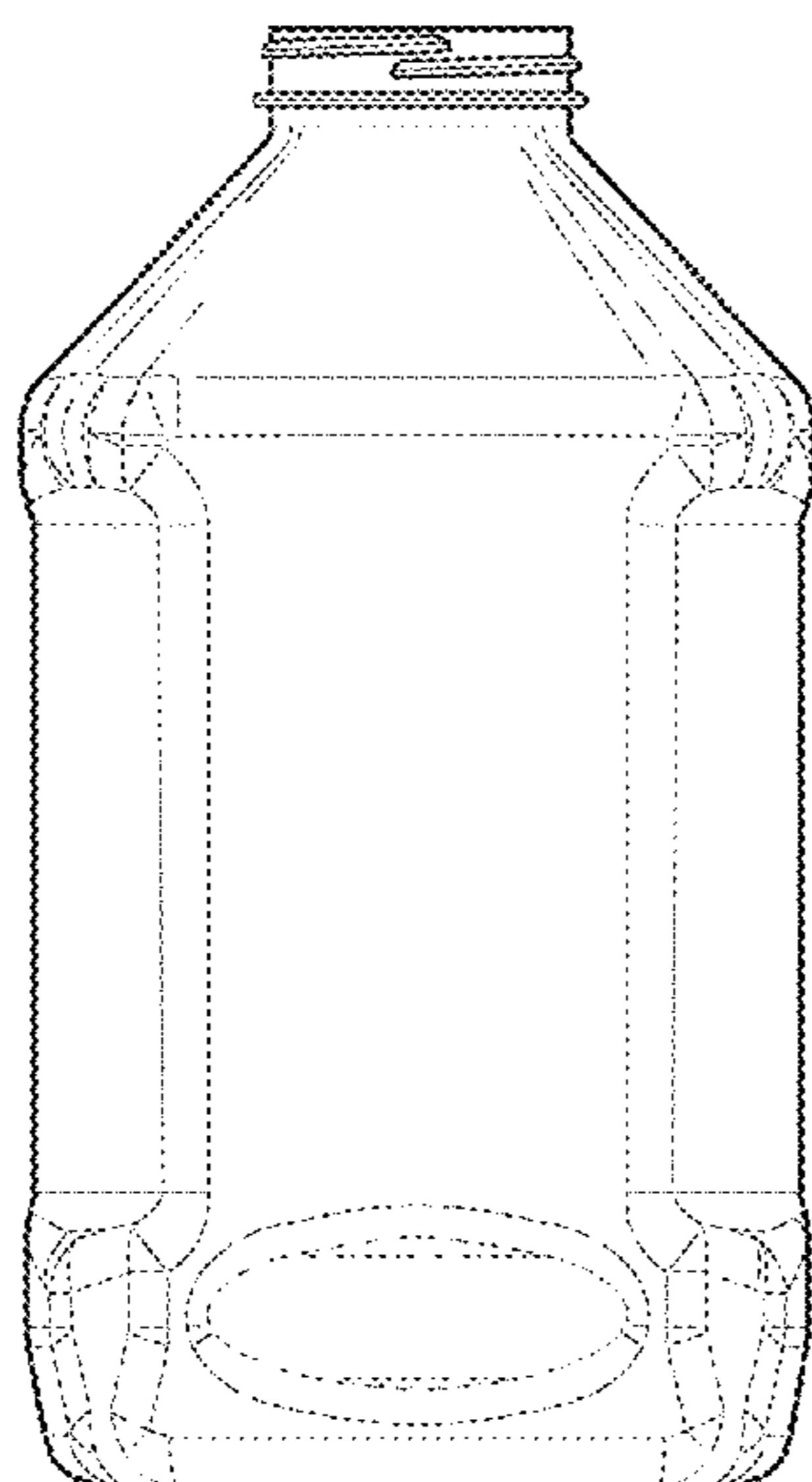
DESCRIPTION

FIG. 1 is a front elevation view of a container showing my new design;
FIG. 2 is a rear elevation view thereof;
FIG. 3 is a side elevation view thereof;
FIG. 4 is an opposing side elevation view thereof;
FIG. 5 is an enlarged top plan view of the container; and,
FIG. 6 is an enlarged bottom plan view of the container.
The broken lines in the drawings illustrate the portions of the container that form no part of the claimed design.

1 Claim, 6 Drawing Sheets

(56) **References Cited**
U.S. PATENT DOCUMENTS

- D258,720 S * 3/1981 Evans D9/520
- D265,627 S * 8/1982 Segal D9/539
- D282,052 S * 1/1986 Beaver D9/539
- D314,142 S * 1/1991 Briggs D9/550
- 5,092,474 A * 3/1992 Leigner B65D 79/005
215/381
- 5,261,544 A * 11/1993 Weaver, Jr. B65D 23/102
215/371
- D353,335 S * 12/1994 Cox D9/541
- D364,093 S * 11/1995 Weaver, Jr. D9/563
- D375,900 S * 11/1996 DeVore D9/520
- D431,470 S * 10/2000 Henderson D9/520



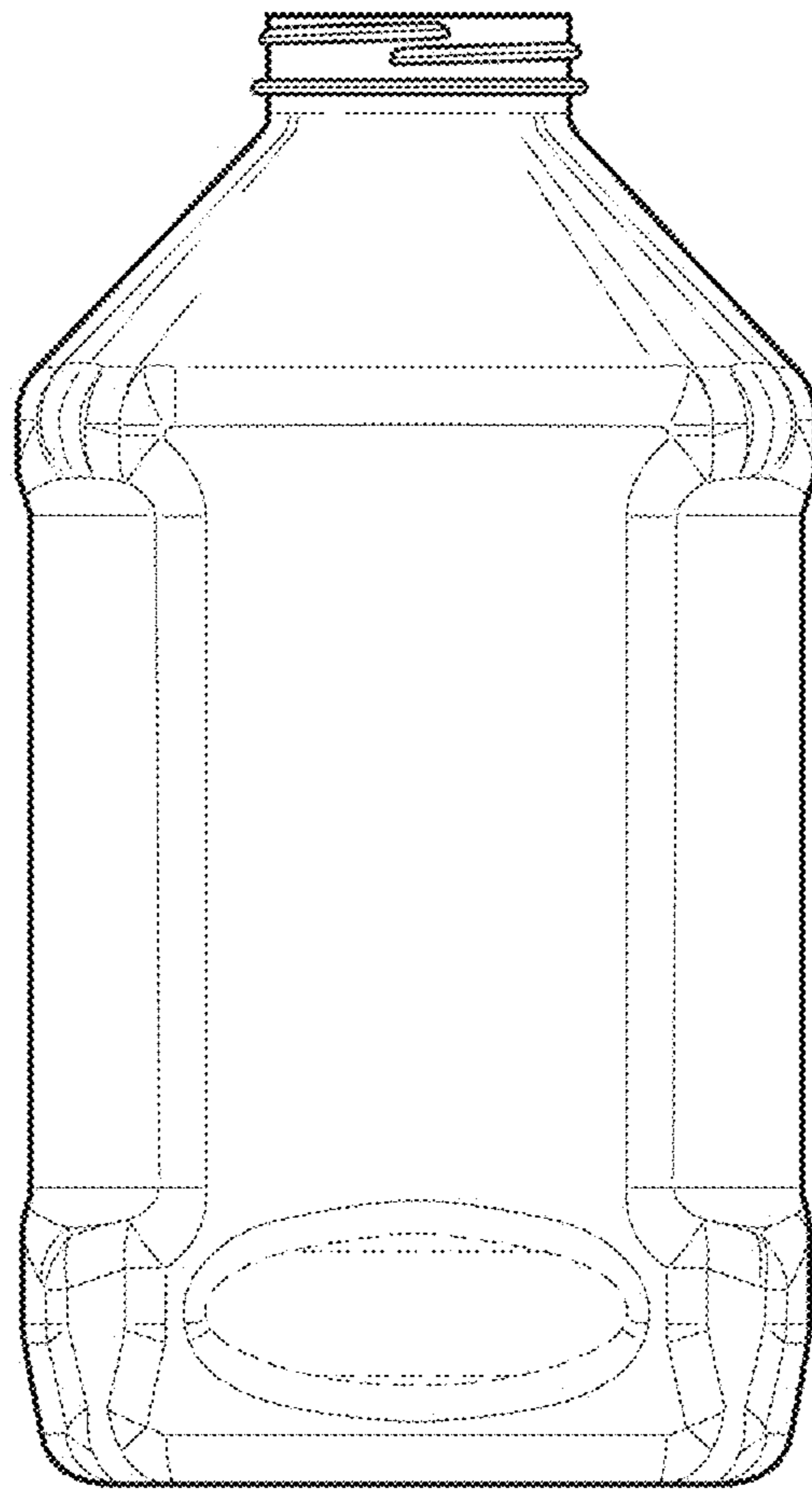


FIG. 1

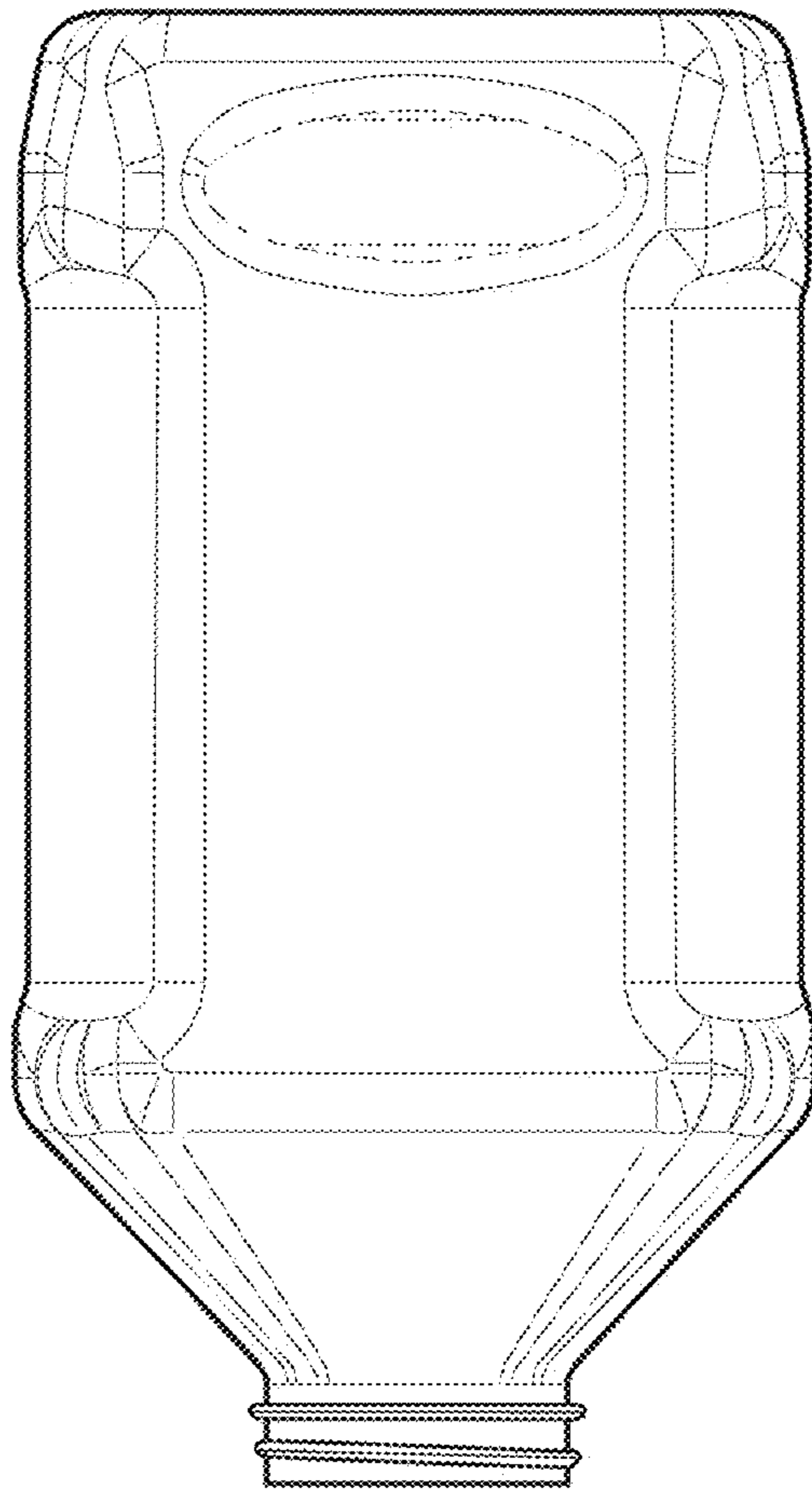


FIG. 2

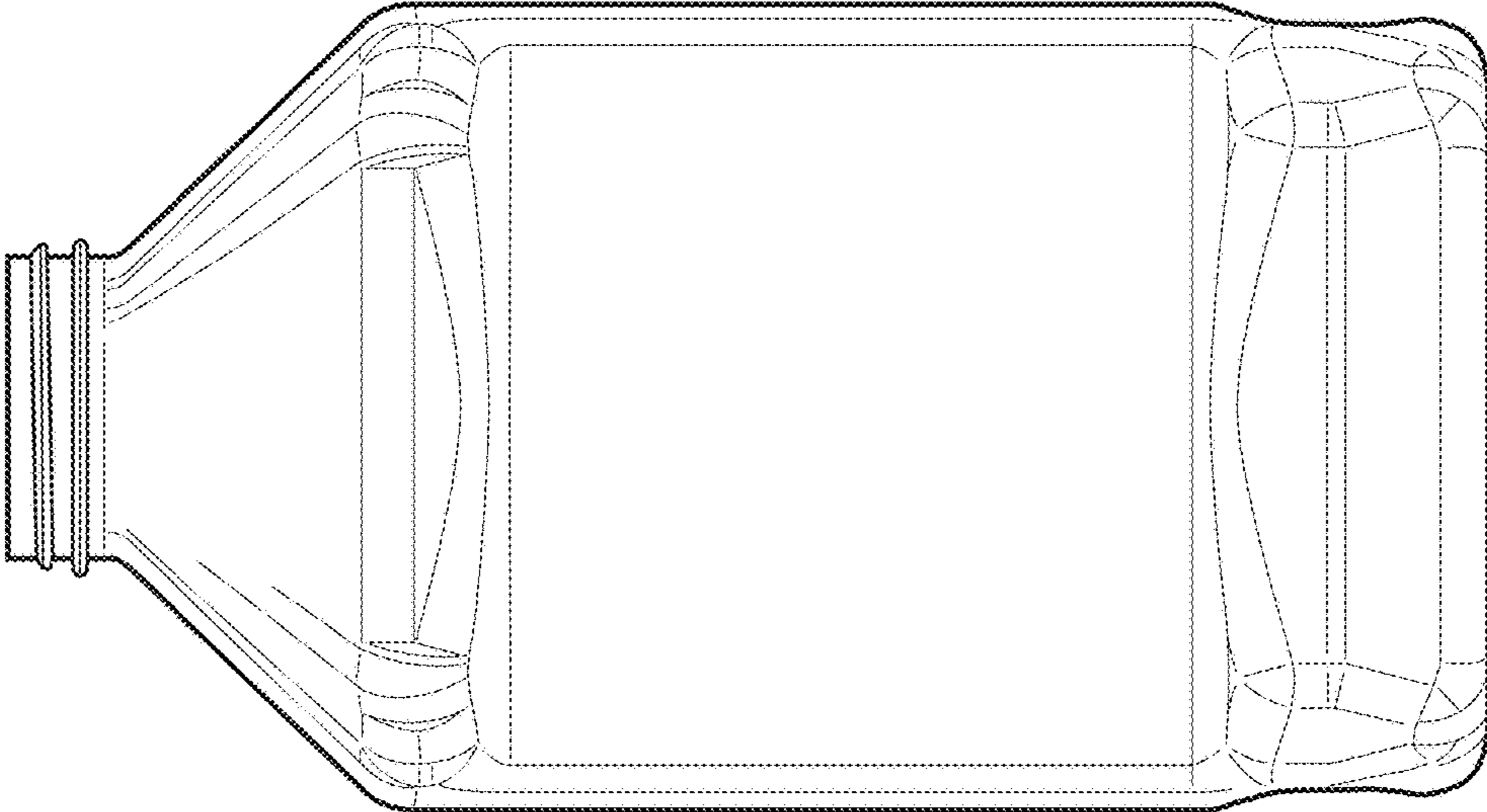


FIG. 3

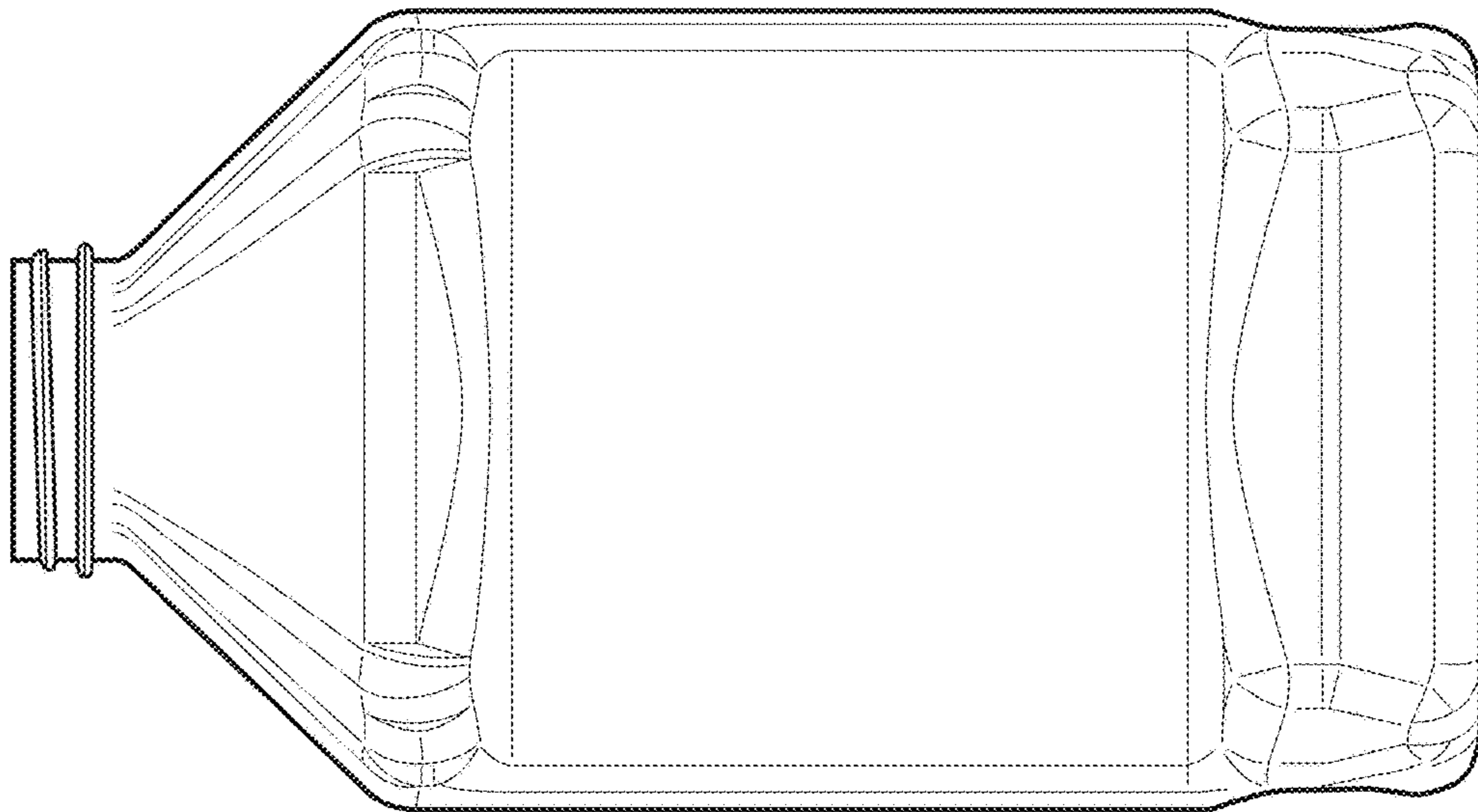


FIG. 4

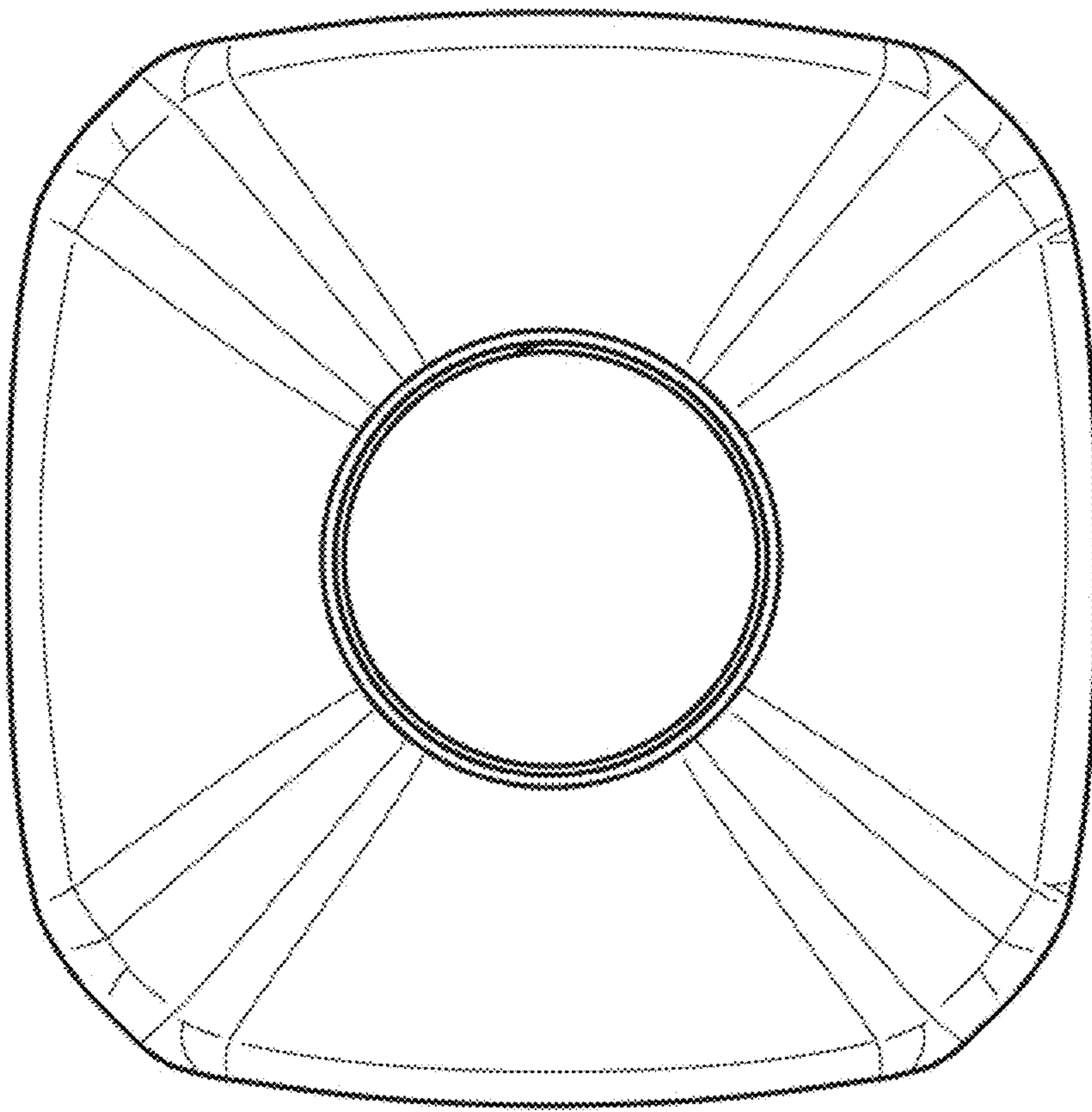


FIG. 5

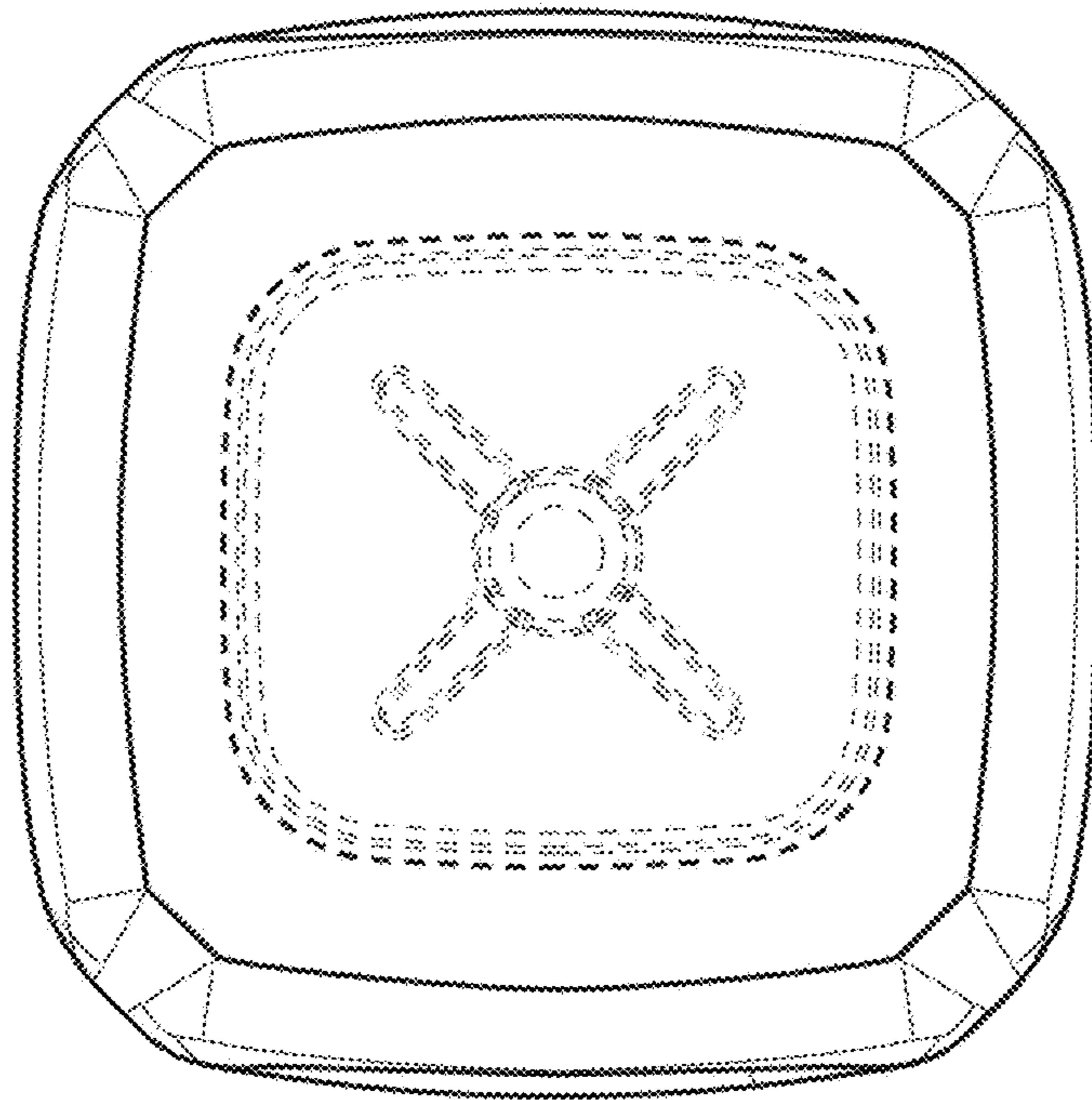


FIG. 6