



US00D792780S

(12) **United States Design Patent**
Jost

(10) **Patent No.:** **US D792,780 S**
(45) **Date of Patent:** **** Jul. 25, 2017**

- (54) **BOTTLE**
- (71) Applicant: **Berlin Packaging, LLC**, Chicago, IL (US)
- (72) Inventor: **Scott Jost**, Chicago, IL (US)
- (73) Assignee: **Berlin Packaging, LLC**, Chicago, IL (US)
- (**) Term: **15 Years**
- (21) Appl. No.: **29/554,524**
- (22) Filed: **Feb. 12, 2016**
- (51) **LOC (10) Cl.** **09-01**
- (52) **U.S. Cl.**
USPC **D9/558**; D9/520; D9/550
- (58) **Field of Classification Search**
USPC D4/116; D6/515-516, 542-545;
D7/300-322, 391-396.2, 509-511, 523,
D7/589, 598, 612, 615, 619.1;
D9/435-436, 439-440, 443, 447, 454,
D9/500-575; D24/197; 215/40-55,
215/235-245, 316-364, 370-385;
220/4.01-4.34, 560.09, 566, 568, 569,
220/574-575, 592.13-592.19, 703-719
CPC B65D 1/00; B65D 1/02; B65D 1/0223;
B65D 1/023; B65D 1/0276
See application file for complete search history.

- D618,554 S * 6/2010 Bruscha D9/550
- D735,579 S * 8/2015 Hawry D9/523
- D736,640 S * 8/2015 Ozamis D9/520
- D744,847 S * 12/2015 Flood D9/535
- D746,148 S * 12/2015 Flood D9/520
- D753,502 S * 4/2016 Kuzma D9/558
- D757,557 S * 5/2016 Melms, Jr. D9/530
- D783,408 S * 4/2017 Sanguinet D9/520
- D784,818 S * 4/2017 Ozamiz D23/211.1

* cited by examiner

Primary Examiner — Cathron Brooks
Assistant Examiner — Christian P McLean
(74) *Attorney, Agent, or Firm* — Adam K. Sacharoff;
Much Shelist, P.C.

(57) **CLAIM**

The ornamental design for a bottle, as shown and described.

DESCRIPTION

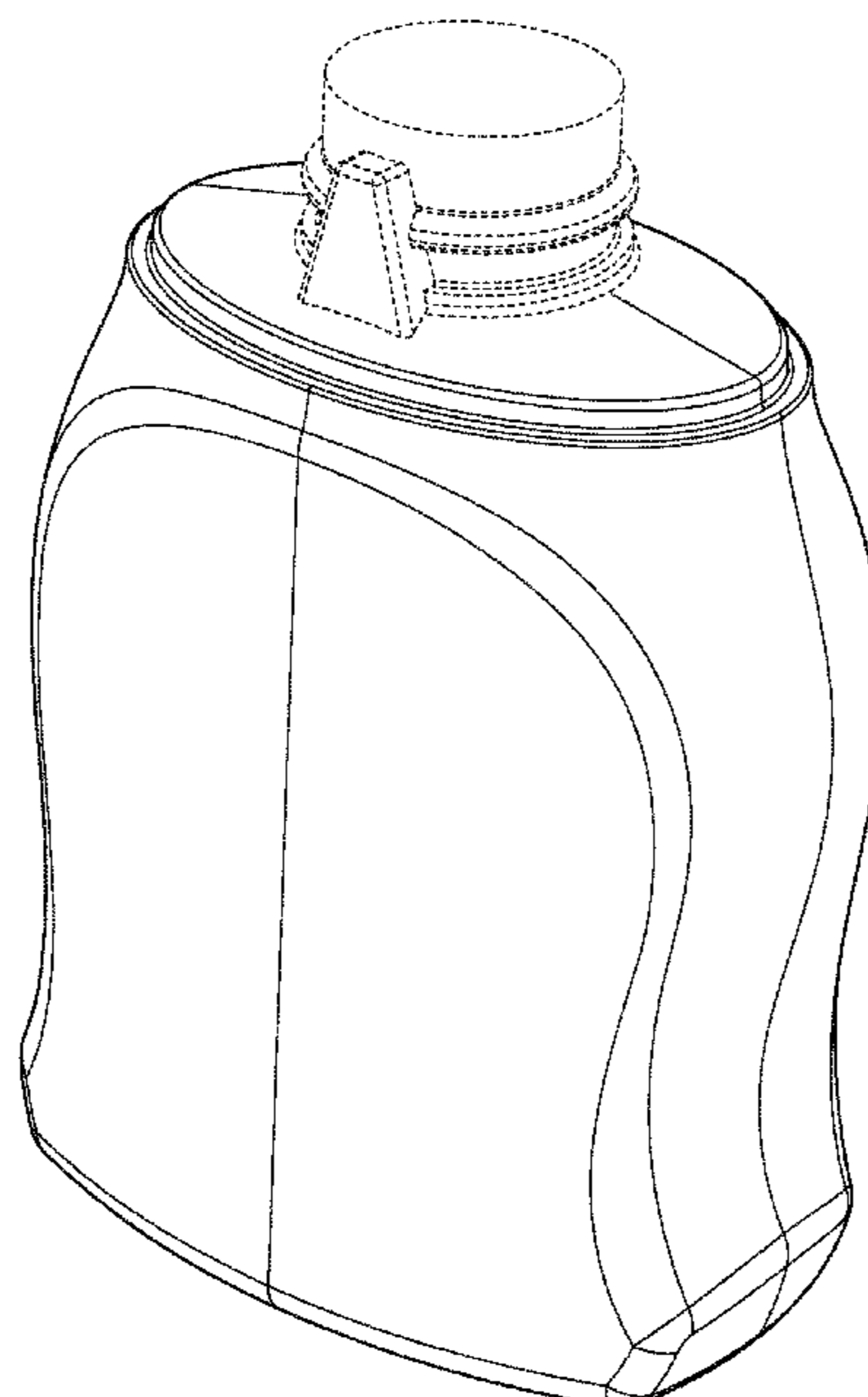
FIG. 1 is a front side perspective view showing the new design for a bottle;
FIG. 2 is a left side perspective view thereof;
FIG. 3 is a left side perspective view thereof, taken from beneath the bottle;
FIG. 4 is a rear side perspective view thereof, taken from beneath the bottle;
FIG. 5 is a front view thereof, with the rear view being a mirror image thereof;
FIG. 6 is a left side view thereof with the left view being a mirror image thereof;
FIG. 7 is a top plan view thereof; and,
FIG. 8 is a bottom plan view thereof.
The broken lines illustrate portions of the bottle that form no part of the claimed design.

1 Claim, 8 Drawing Sheets

(56) **References Cited**

U.S. PATENT DOCUMENTS

- D496,283 S * 9/2004 Busa, Jr. D9/542
- D589,357 S * 3/2009 Crawford D9/563
- D593,863 S * 6/2009 Fahy D9/516
- D601,907 S * 10/2009 Gainey D9/539



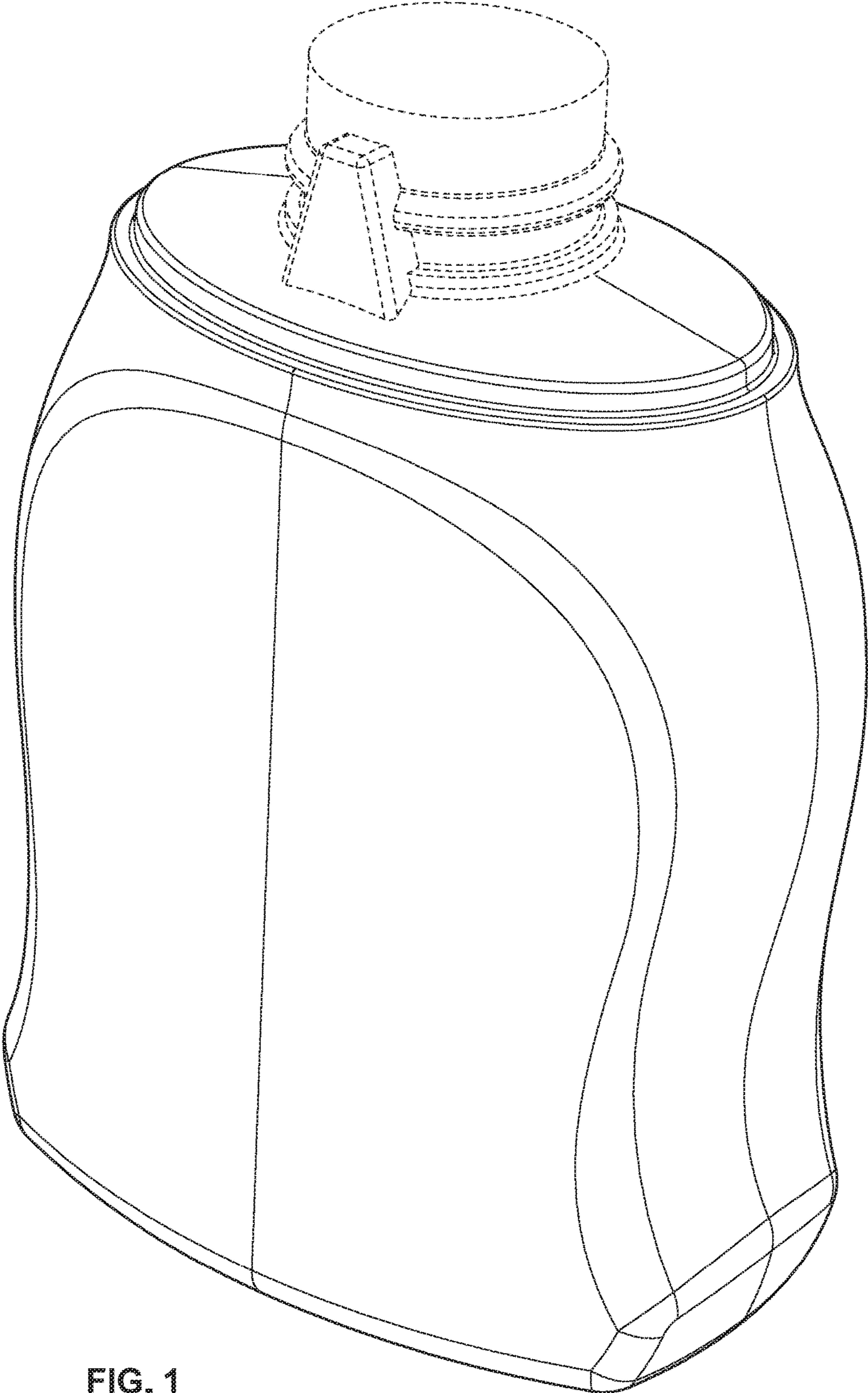


FIG. 1

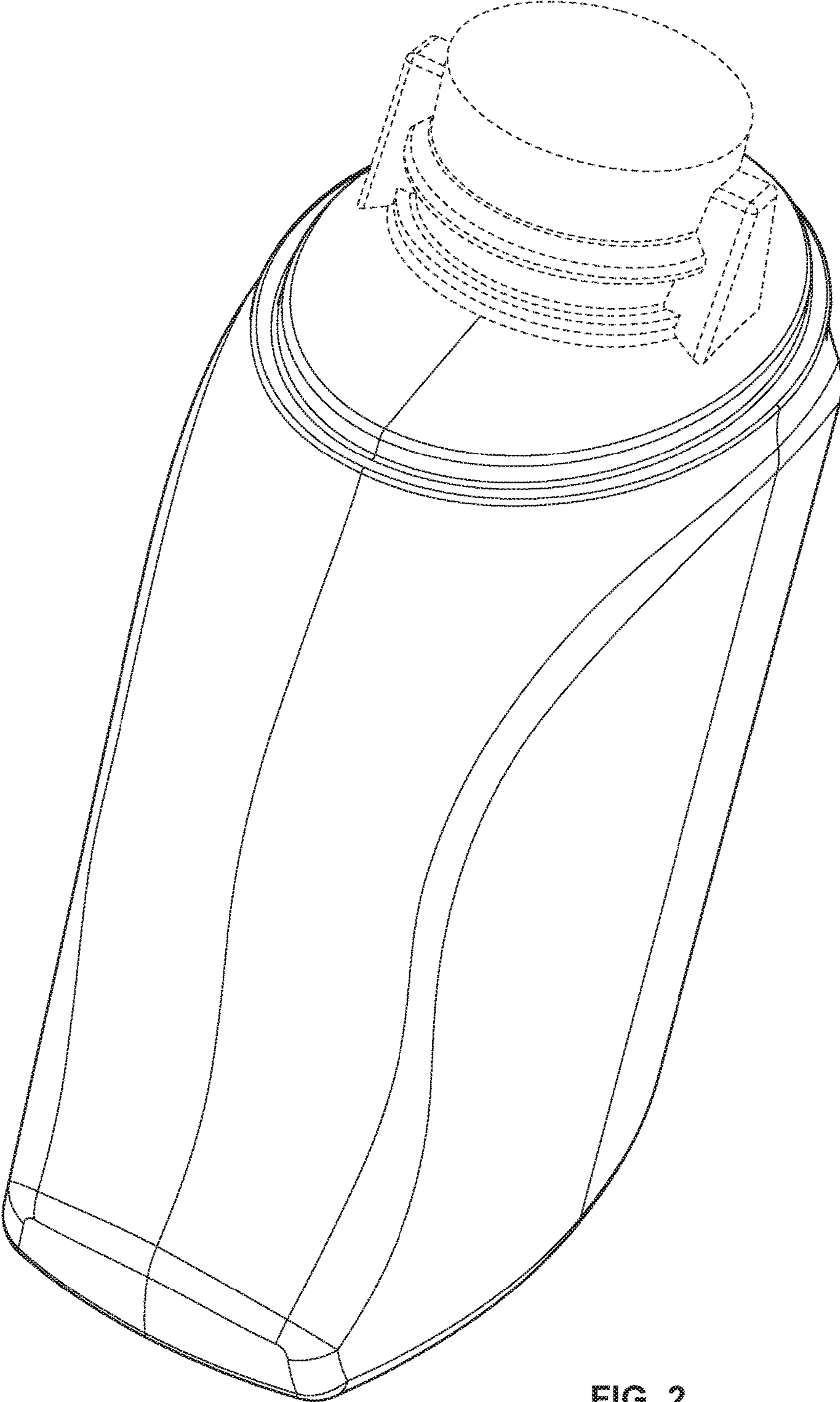


FIG. 2

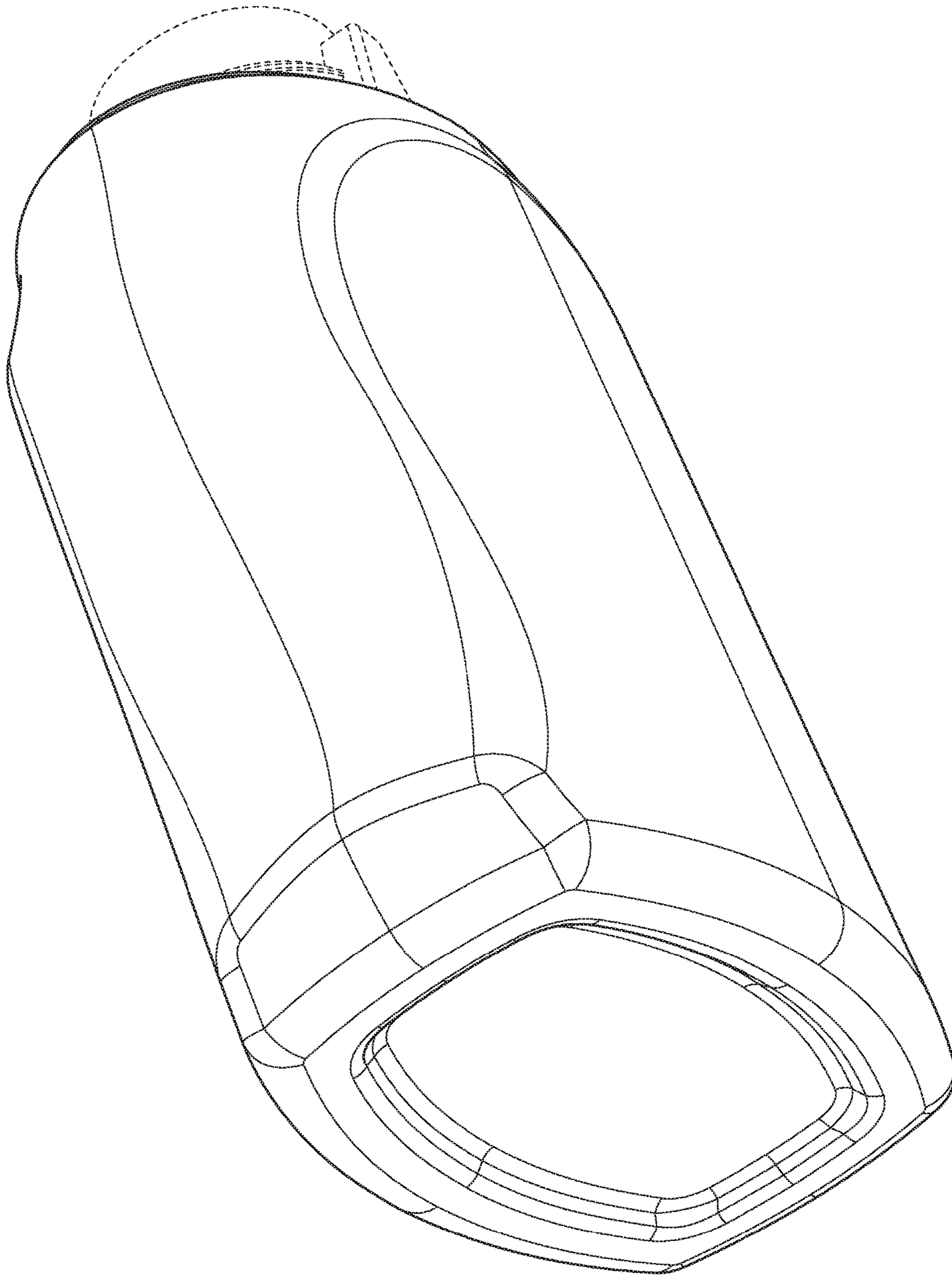


FIG. 3

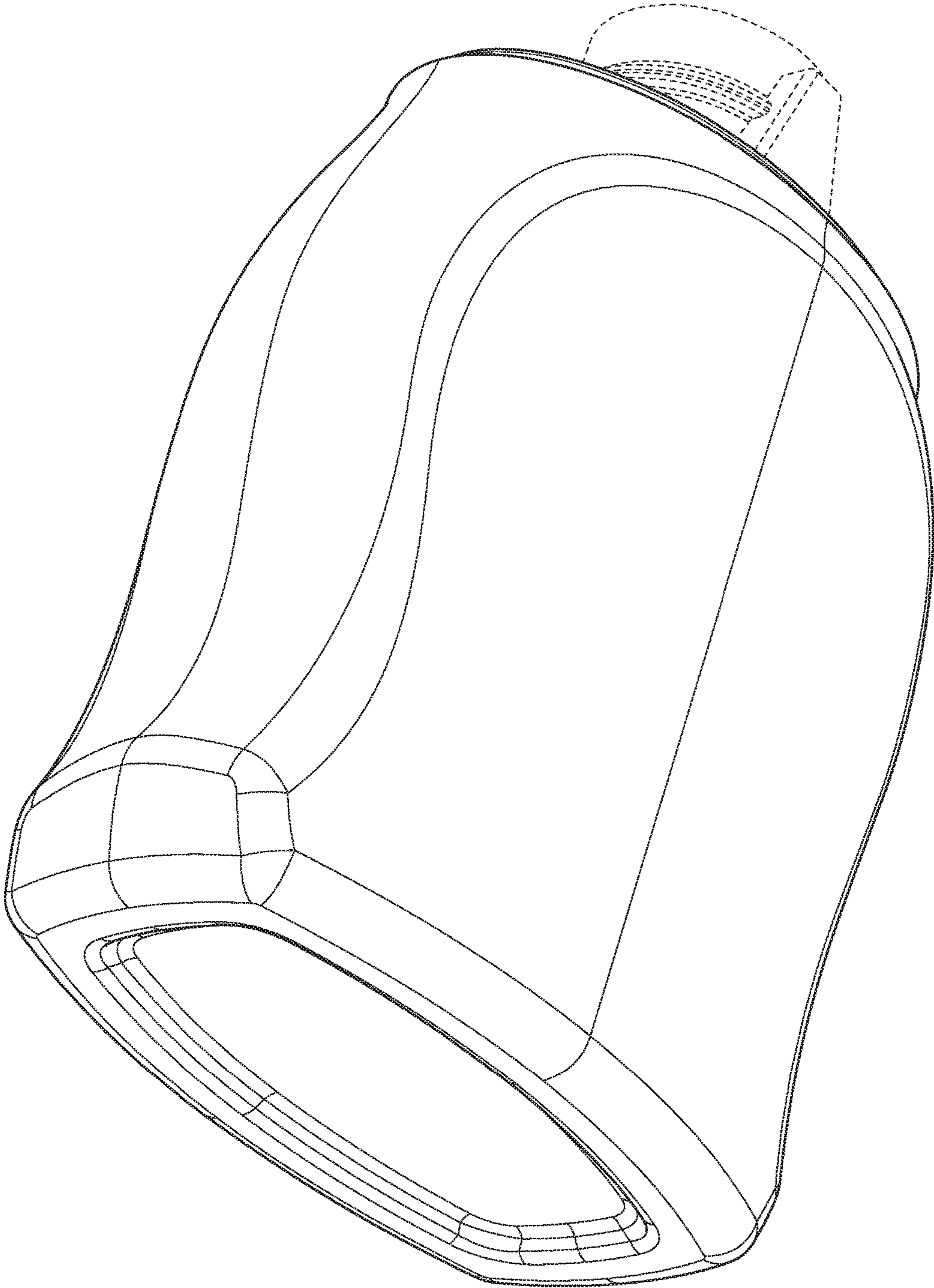


FIG. 4

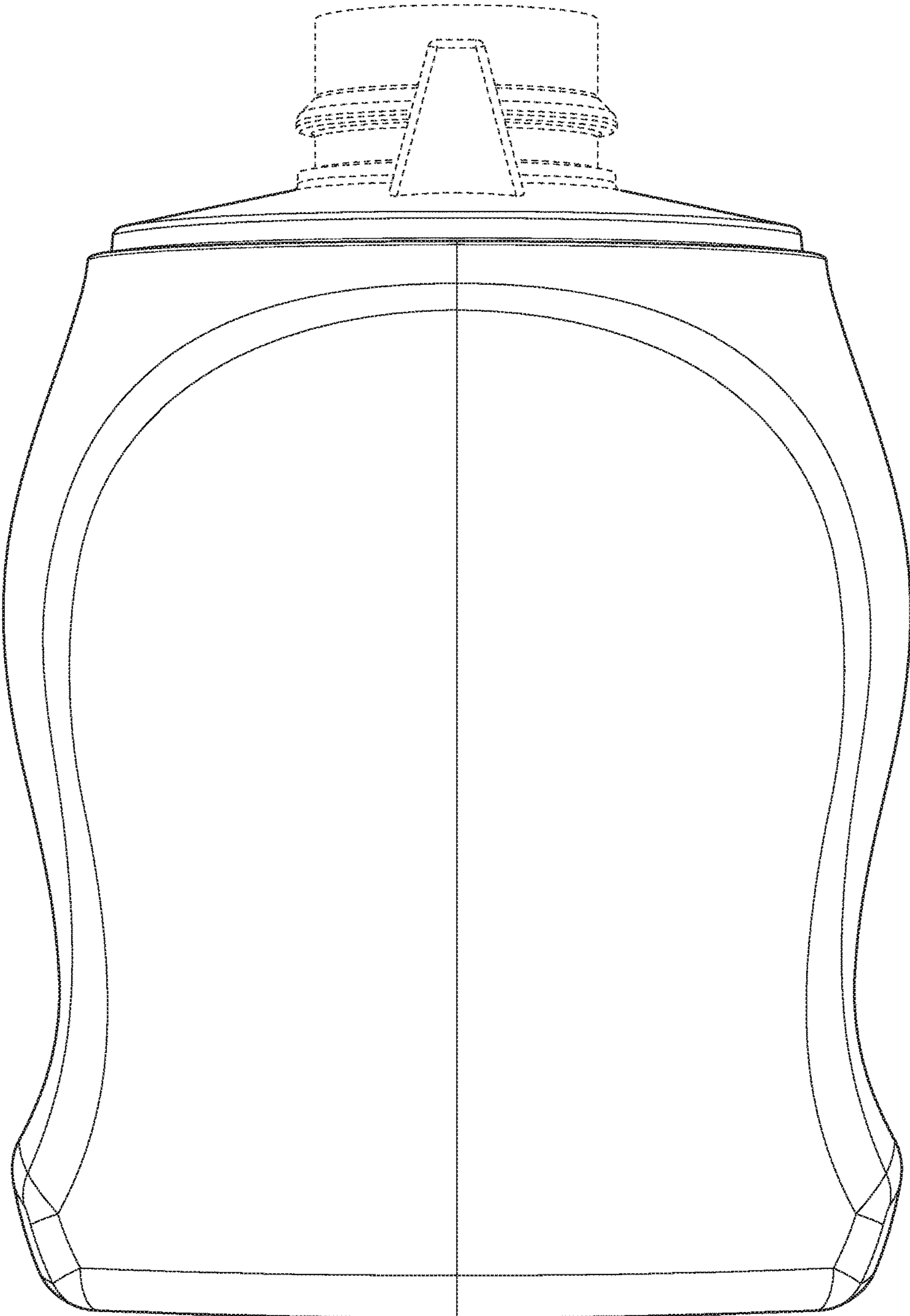


FIG. 5

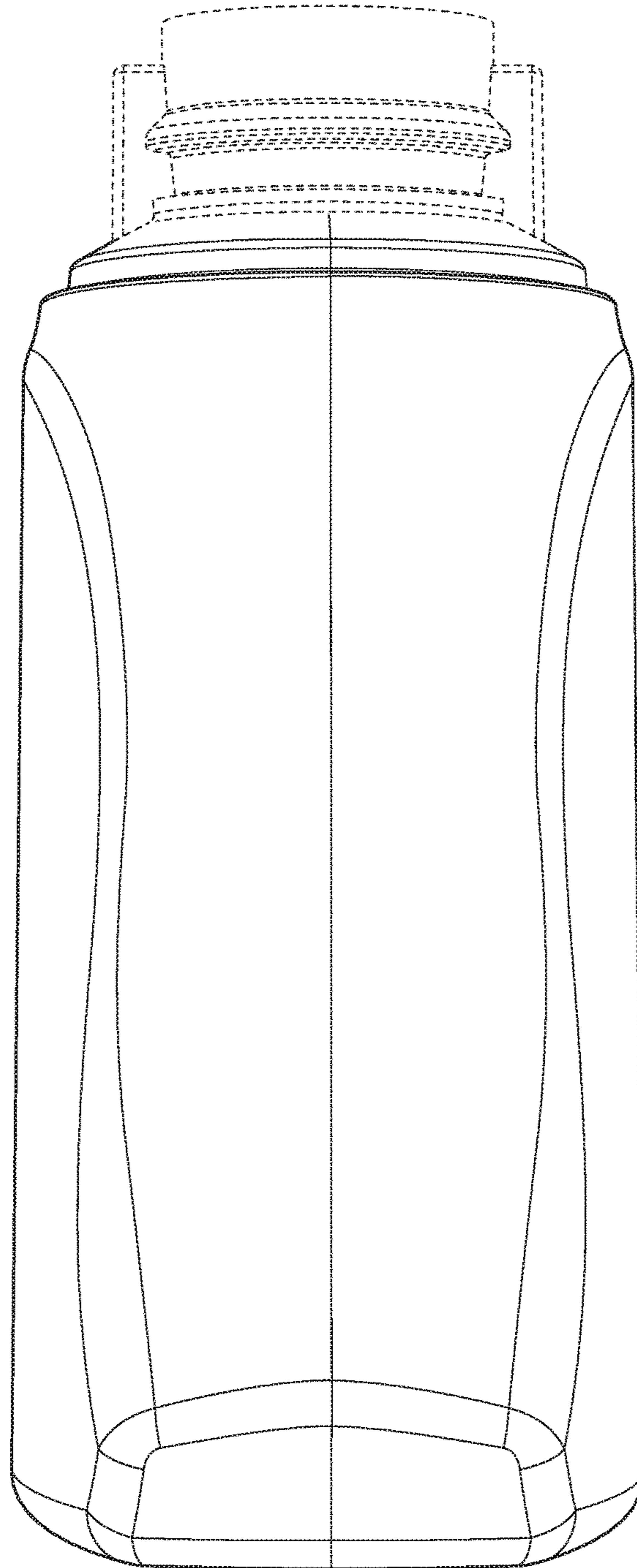


FIG. 6

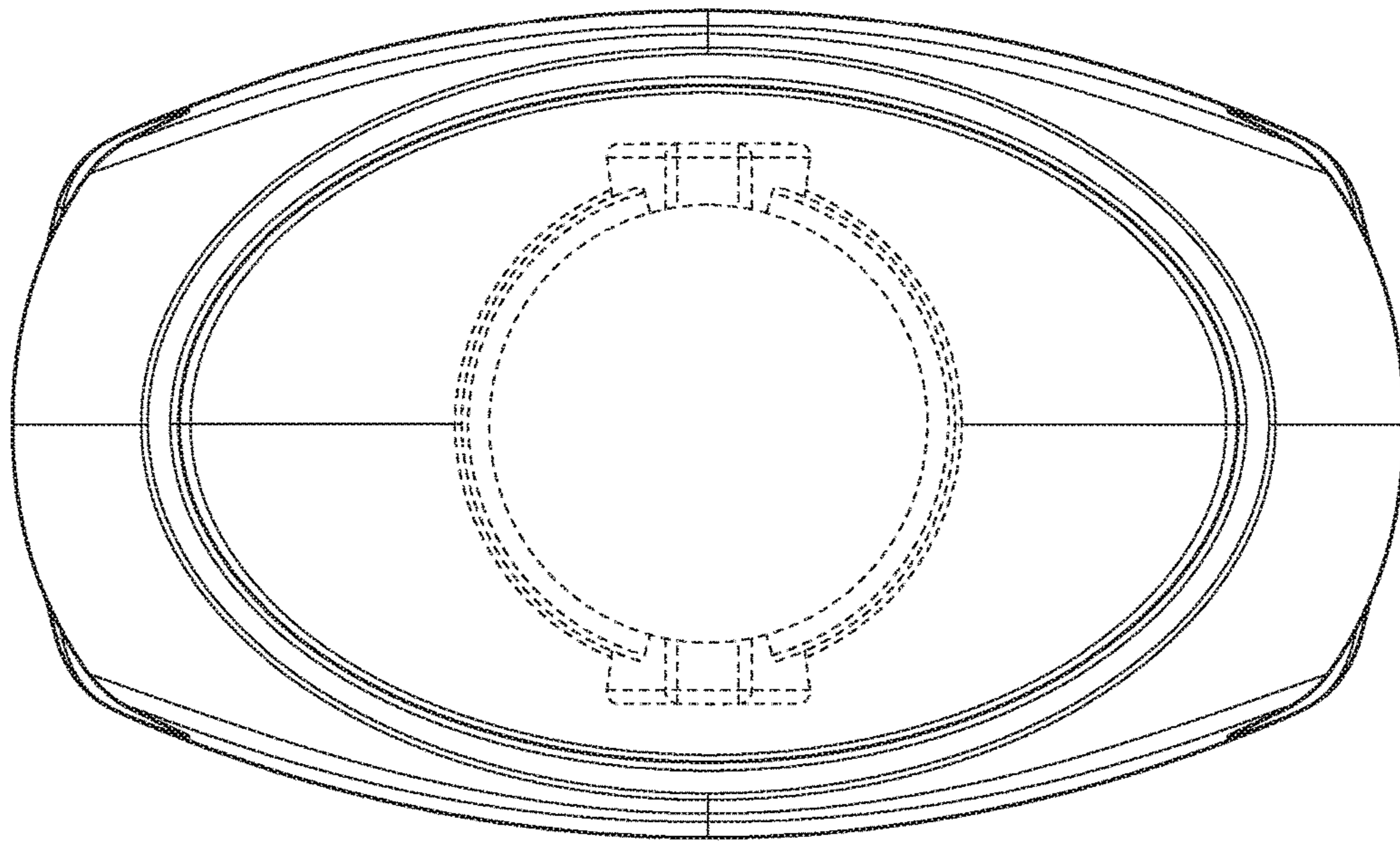


FIG. 7

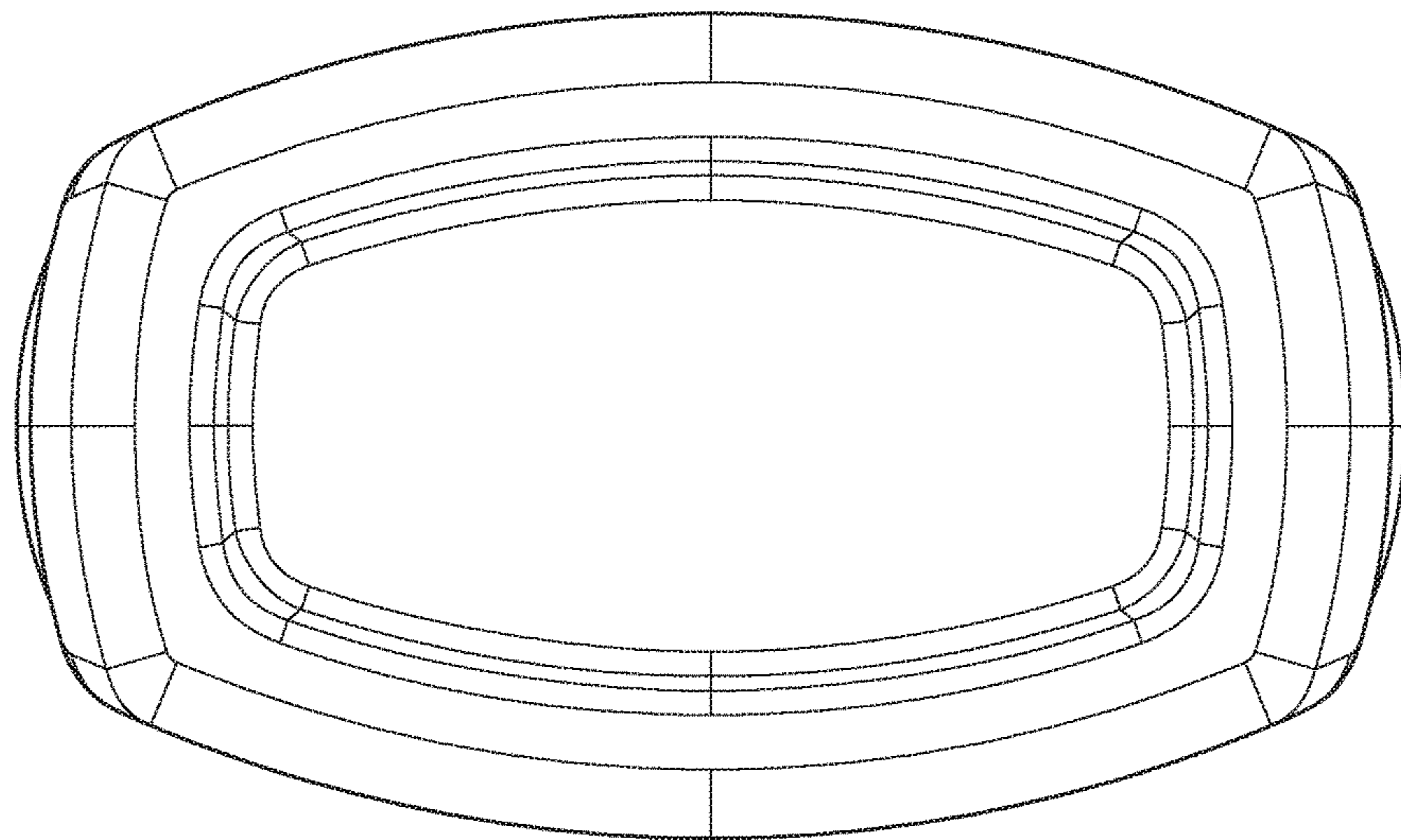


FIG. 8