



US00D792778S

(12) **United States Design Patent** (10) **Patent No.:** **US D792,778 S**
Duke (45) **Date of Patent:** **** Jul. 25, 2017**

(54) **BOTTLE**
(71) Applicant: **Berlin Packaging, LLC**, Chicago, IL (US)
(72) Inventor: **Jonathan Duke**, Chicago, IL (US)
(73) Assignee: **Berlin Packaging, LLC**, Chicago, IL (US)
(**) Term: **15 Years**
(21) Appl. No.: **29/555,052**
(22) Filed: **Feb. 18, 2016**
(51) **LOC (10) Cl.** **09-01**
(52) **U.S. Cl.**
USPC **D9/541; D9/563; D9/569; D9/575**
(58) **Field of Classification Search**
USPC D4/116; D6/515-516, 542-545;
D7/300-322, 391-396.2, 509-511, 523,
D7/589, 598, 612, 615, 619.1;
D9/435-436, 439-440, 443, 447, 454,
D9/500-575; D24/197; 215/40-55,
215/235-245, 316-364, 370-385;
220/4.01-4.34, 560.09, 566, 568, 569,
220/574-575, 592.13-592.19, 703-719
CPC B65D 1/00; B65D 1/02; B65D 1/0223;
B65D 1/023; B65D 1/0276
See application file for complete search history.

D614,964 S * 5/2010 Verdura D9/543
D691,053 S * 10/2013 Garcia D9/543
D696,124 S * 12/2013 Prero D9/516
D770,903 S * 11/2016 Berger D9/563
D782,909 S * 4/2017 Jost D9/520
D784,817 S * 4/2017 Heisner D9/523
2012/0103929 A1 * 5/2012 Fontana B65D 1/0223
215/382

* cited by examiner

Primary Examiner — Cathron Brooks
Assistant Examiner — Christian P McLean
(74) *Attorney, Agent, or Firm* — Adam K. Sacharoff;
Much Shelist, P.C.

(57) **CLAIM**

The ornamental design for a bottle, as shown and described.

DESCRIPTION

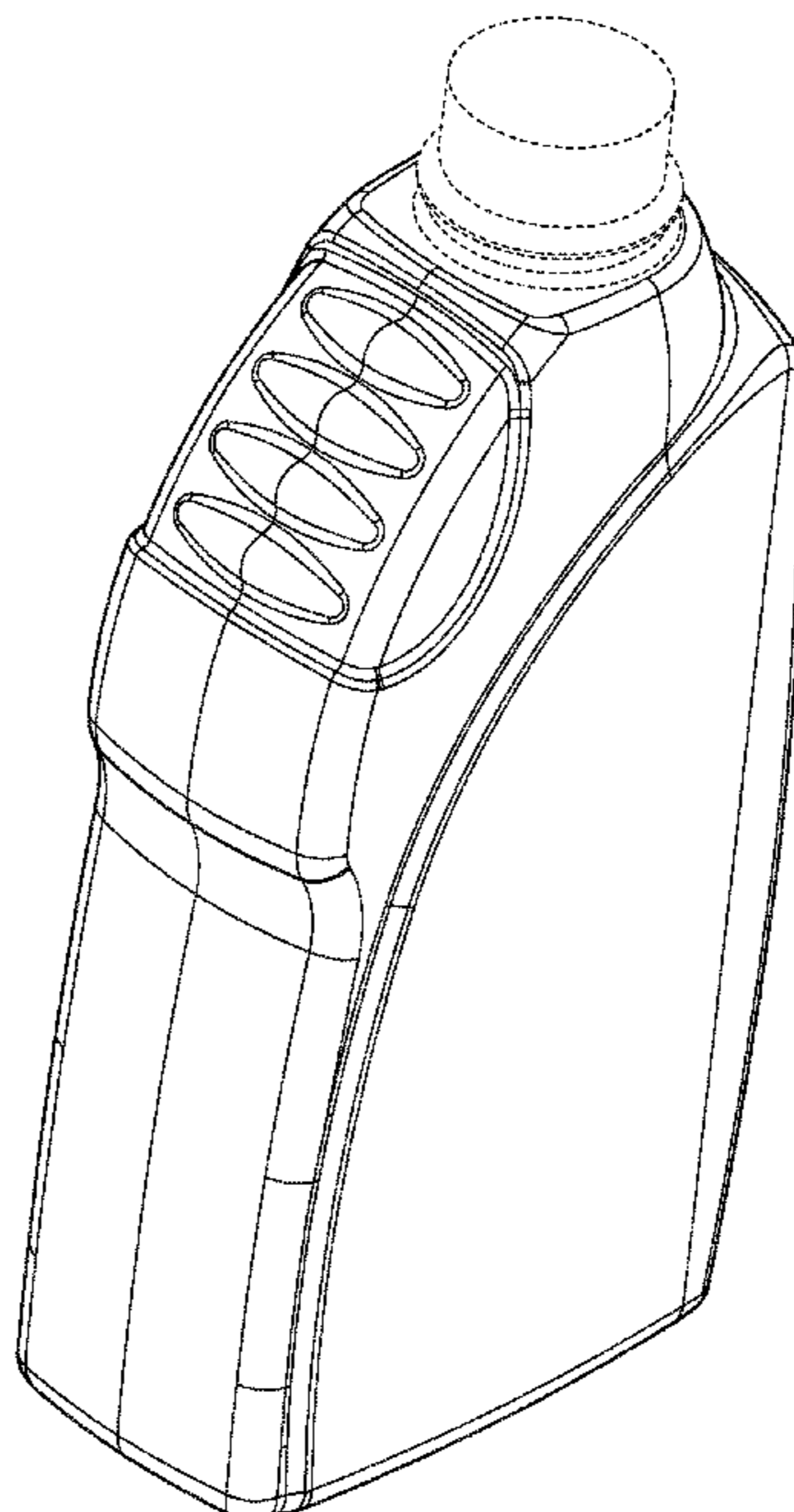
FIG. 1 is a front side perspective view showing the new design for a bottle;
FIG. 2 is a rear side perspective view thereof;
FIG. 3 is a rear side perspective view thereof, taken from beneath the bottle;
FIG. 4 is a front side perspective view thereof, taken from beneath the bottle;
FIG. 5 is a front view thereof,
FIG. 6 is a rear view thereof;
FIG. 7 is a left side view thereof;
FIG. 8 is a right side view thereof;
FIG. 9 is a top plan view thereof; and,
FIG. 10 is a bottom plan view thereof.
The broken lines illustrate portions of the bottle that form no part of the claimed design.

1 Claim, 10 Drawing Sheets

(56) **References Cited**

U.S. PATENT DOCUMENTS

D485,186 S * 1/2004 Wiper D9/523
D489,626 S * 5/2004 Pitassi D9/542
D550,097 S * 9/2007 Lepoitevin D9/551
D600,561 S * 9/2009 Feen D9/541



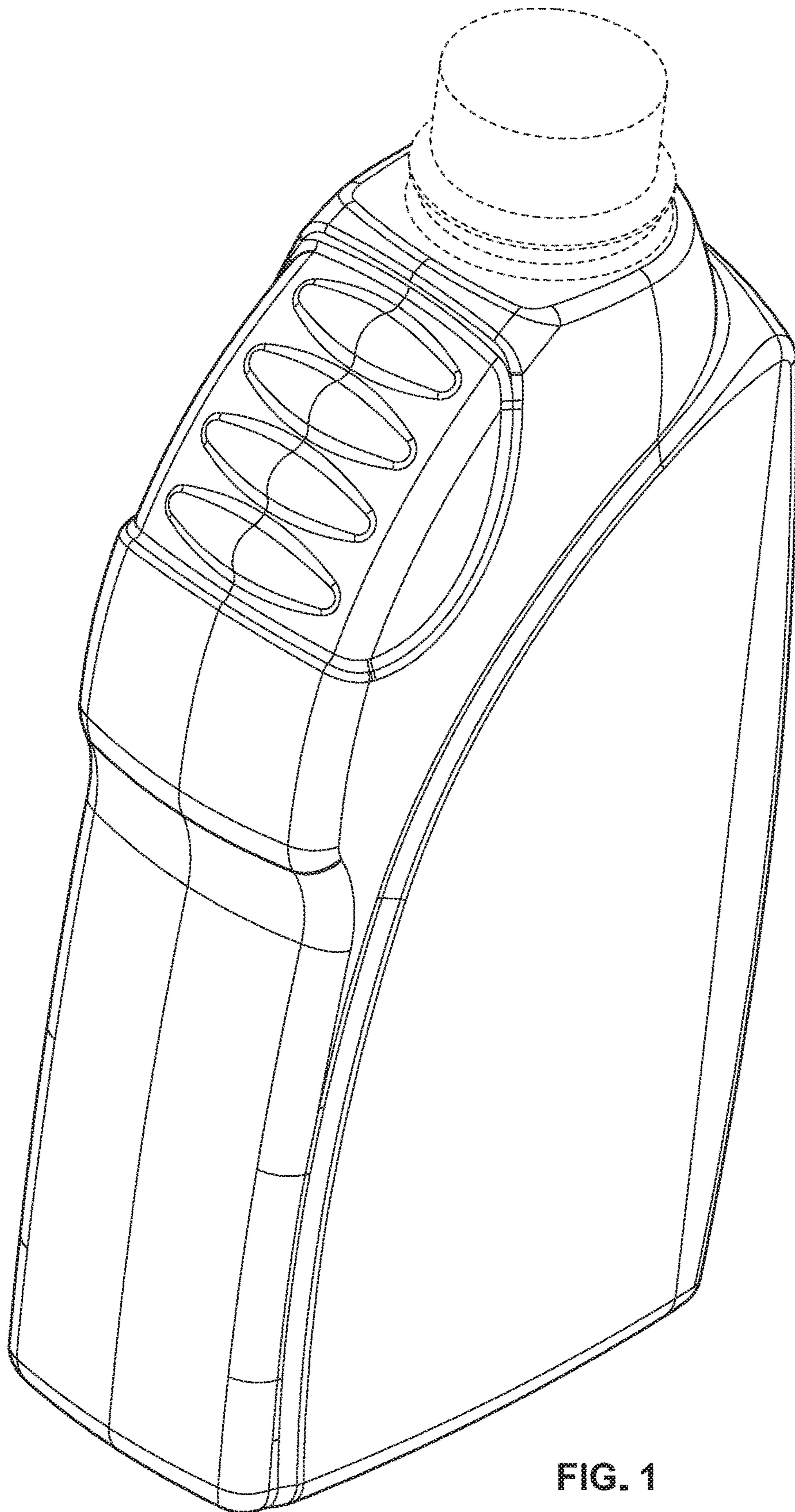


FIG. 1

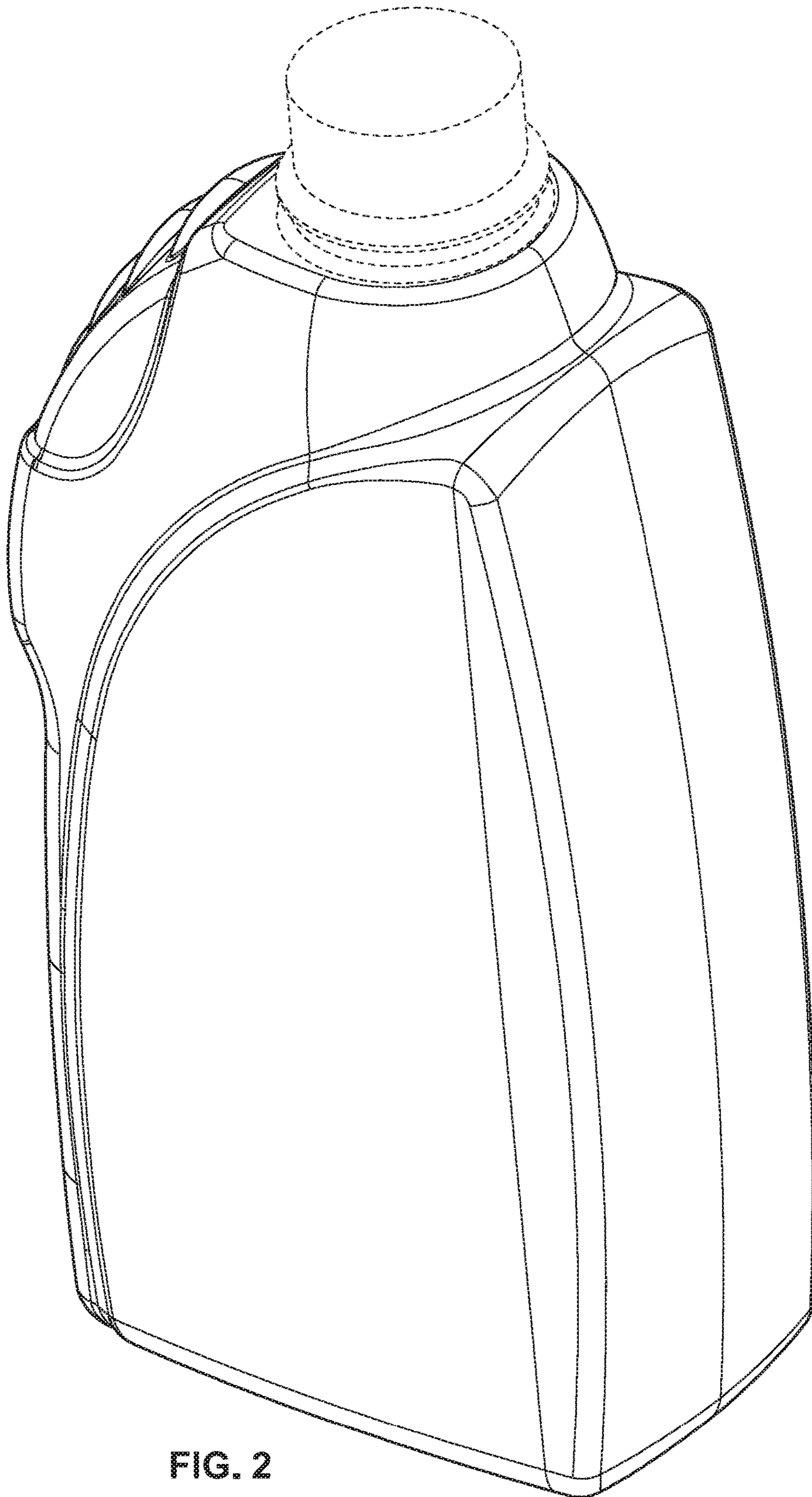


FIG. 2



FIG. 3

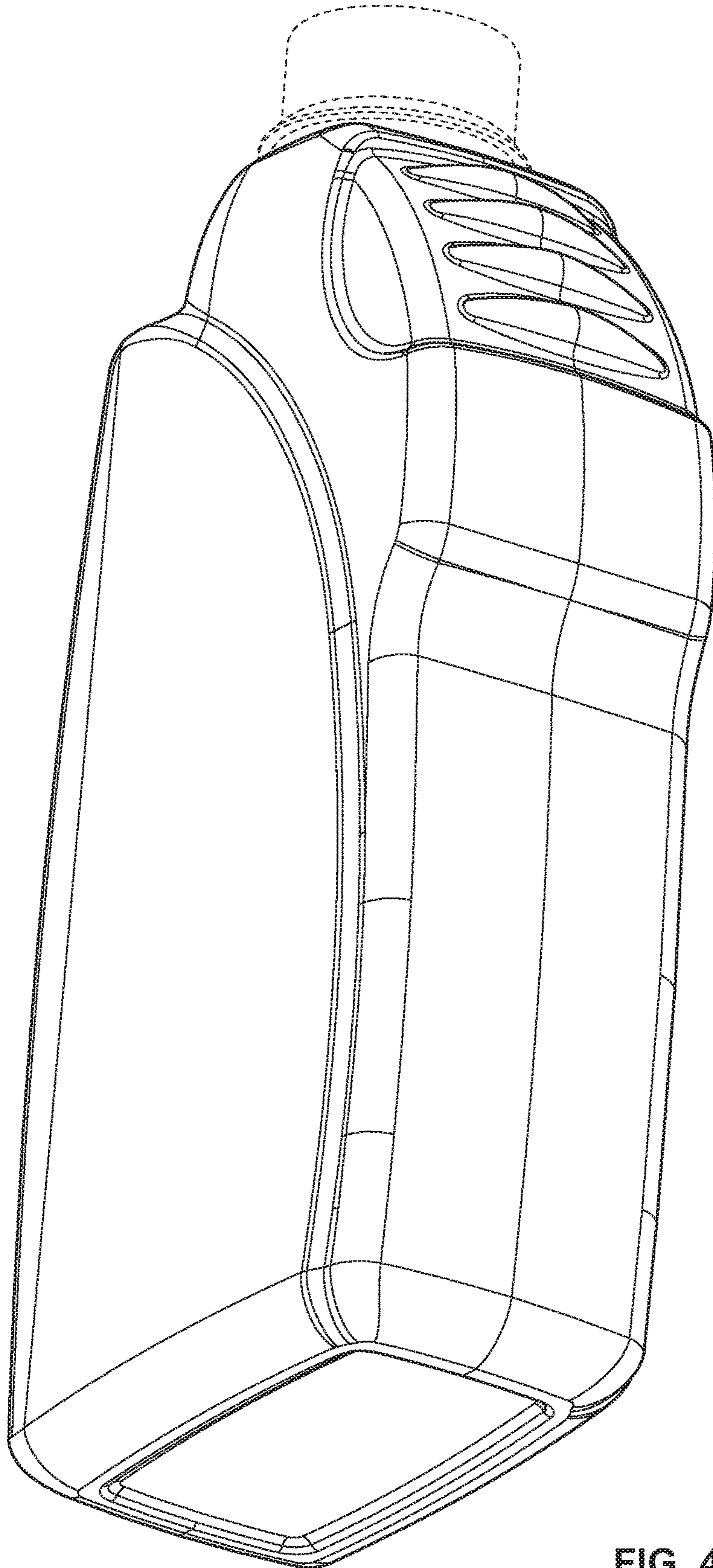


FIG. 4

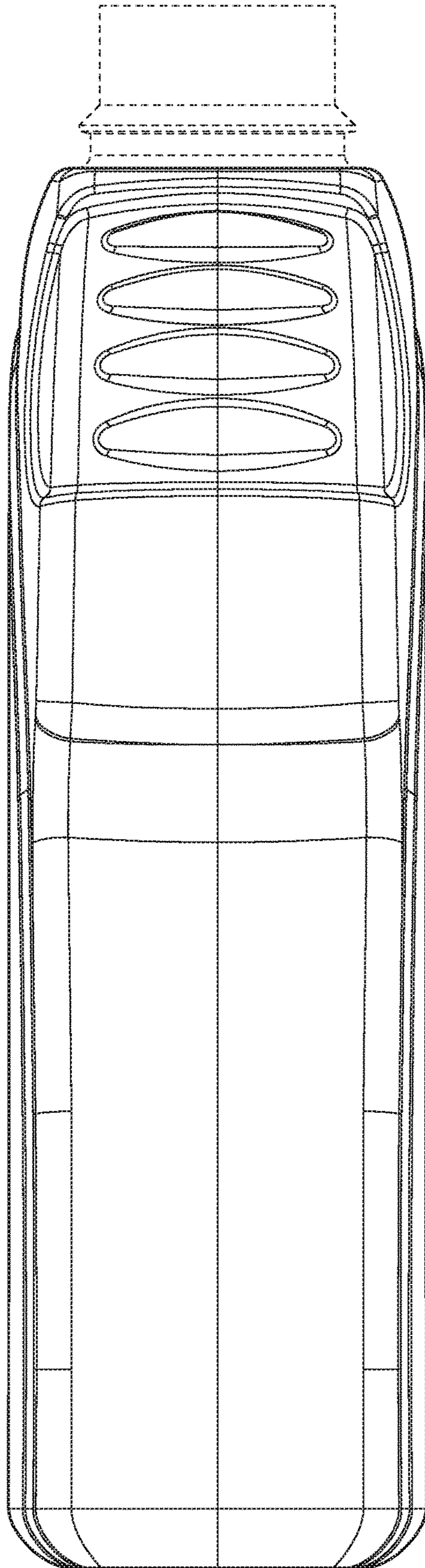


FIG. 5

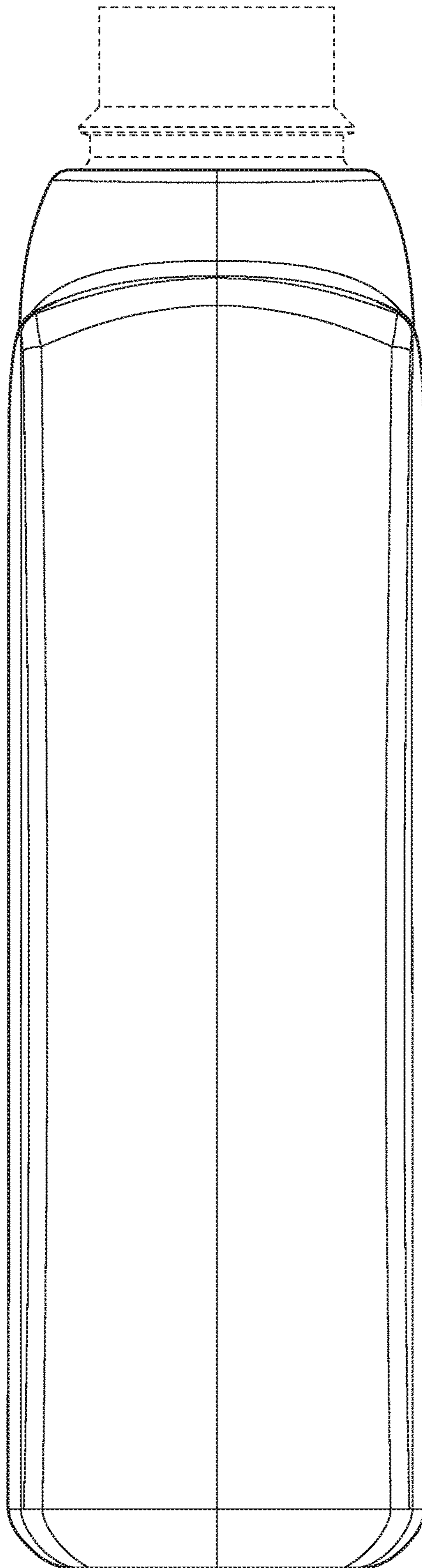


FIG. 6

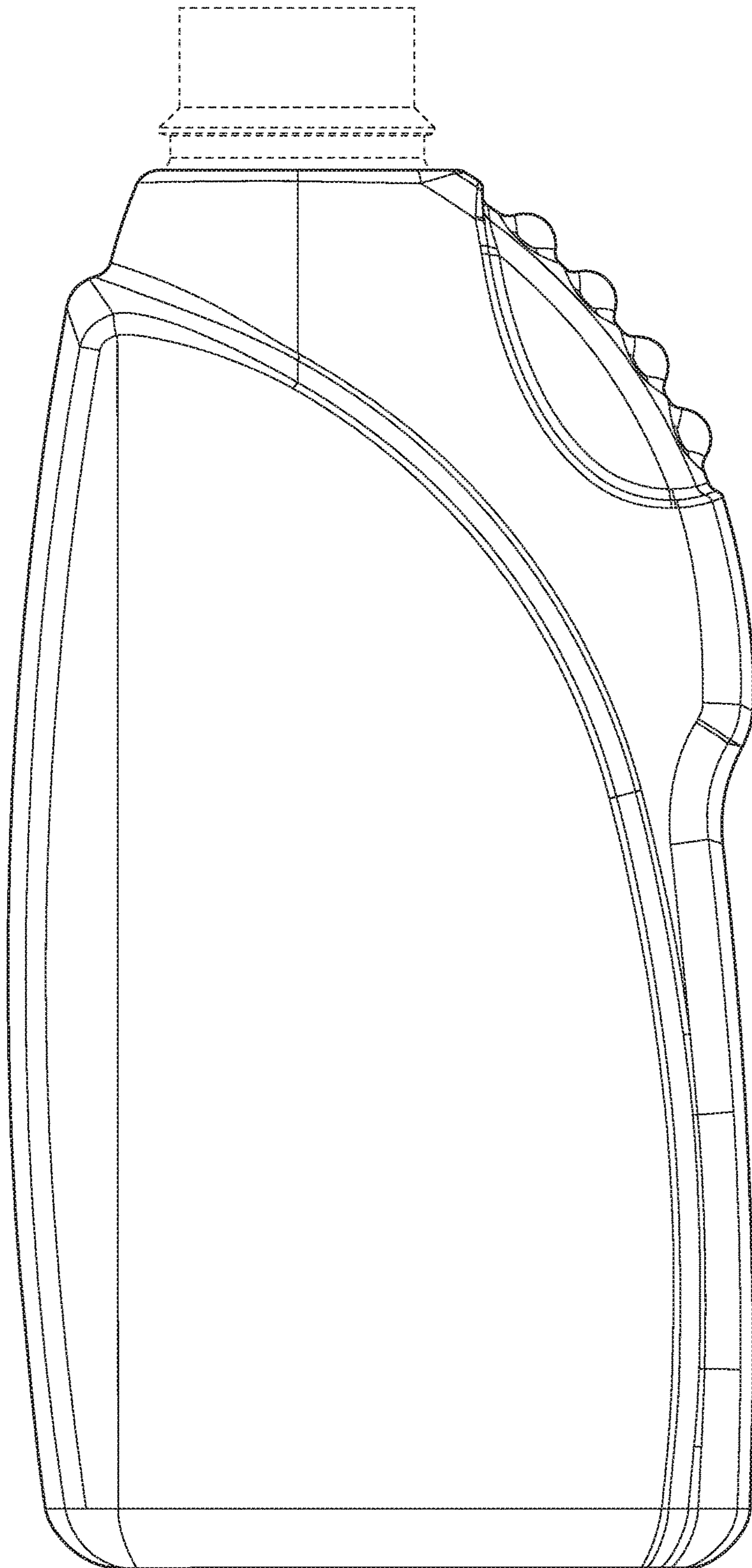


FIG. 7

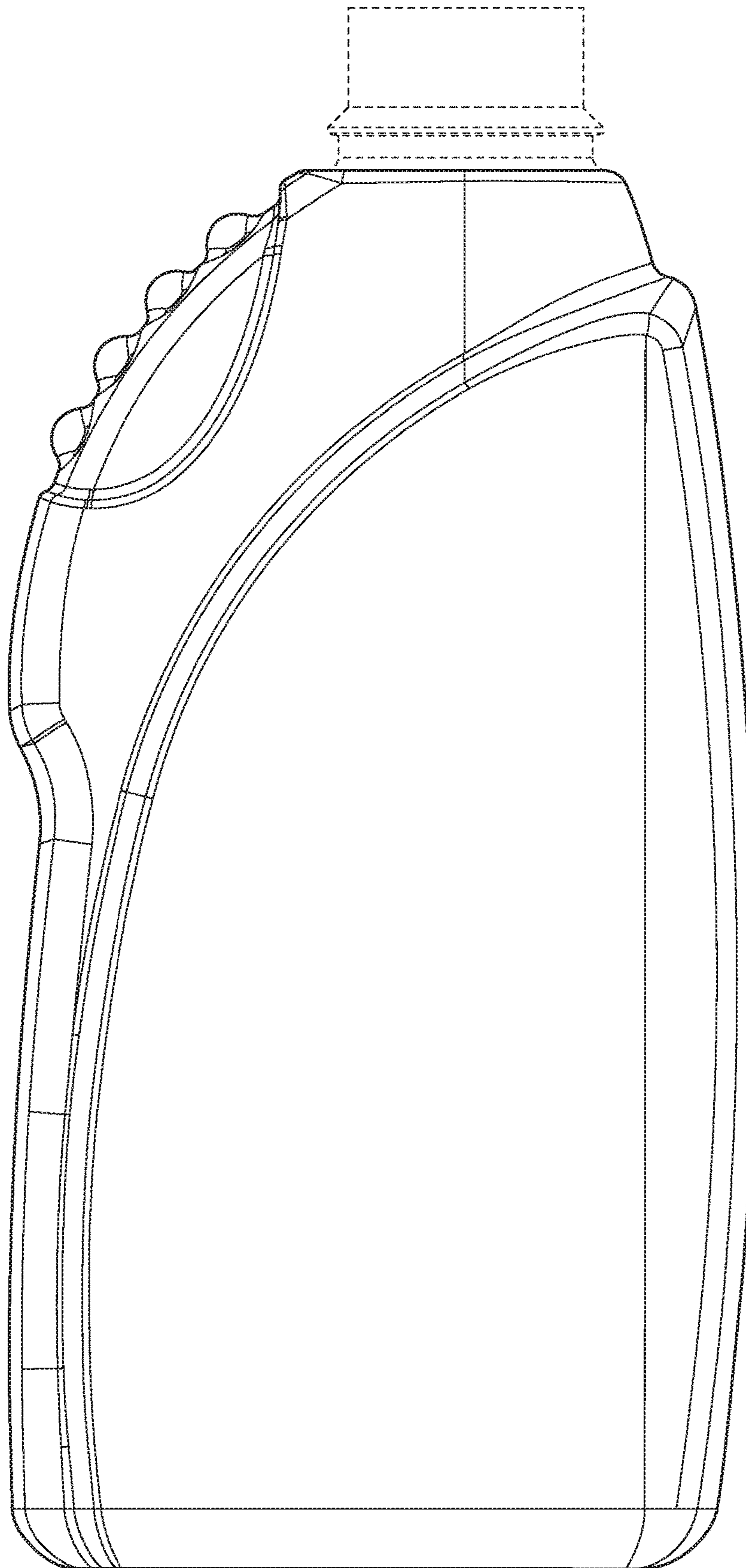


FIG. 8

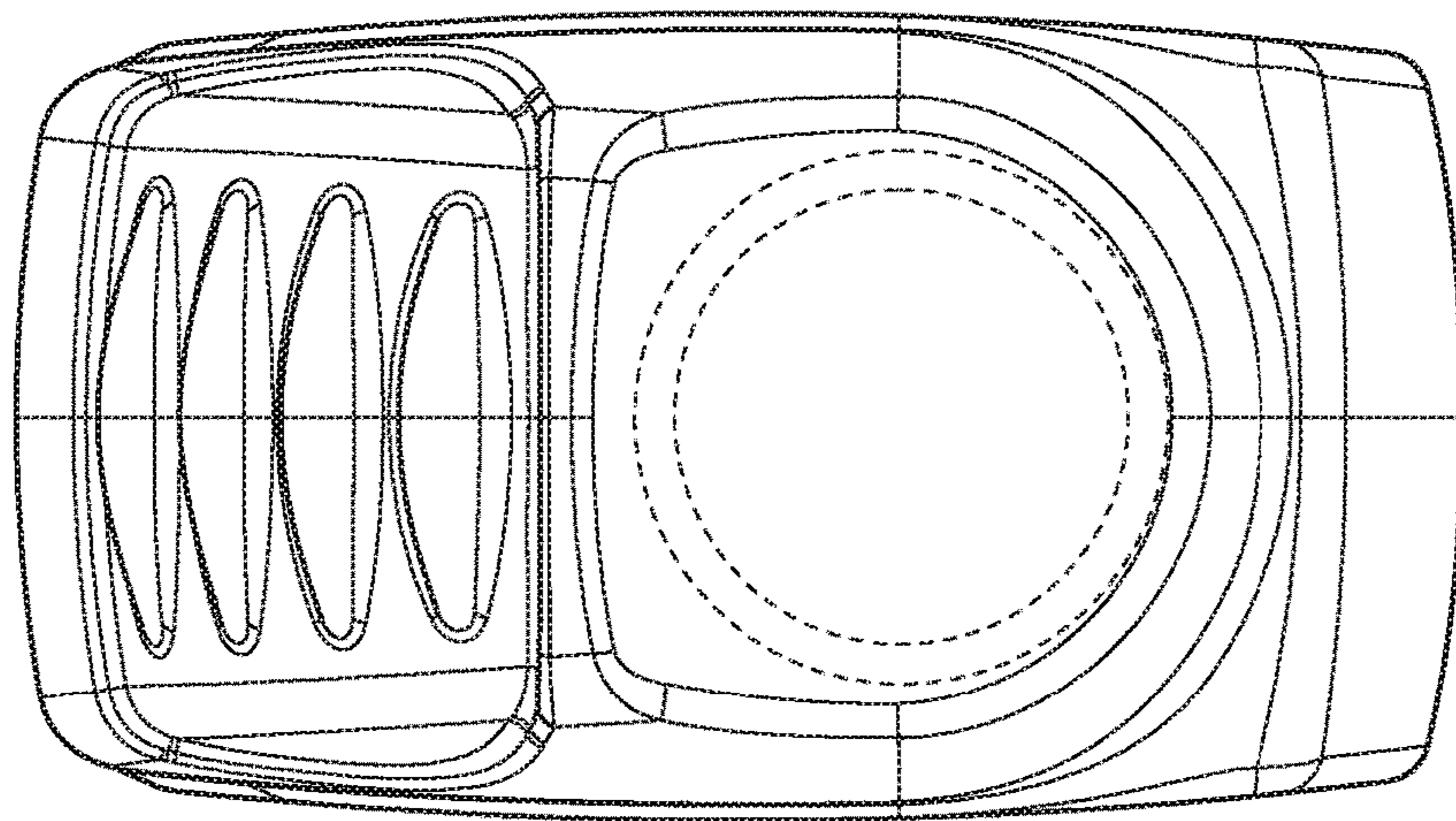


FIG. 9

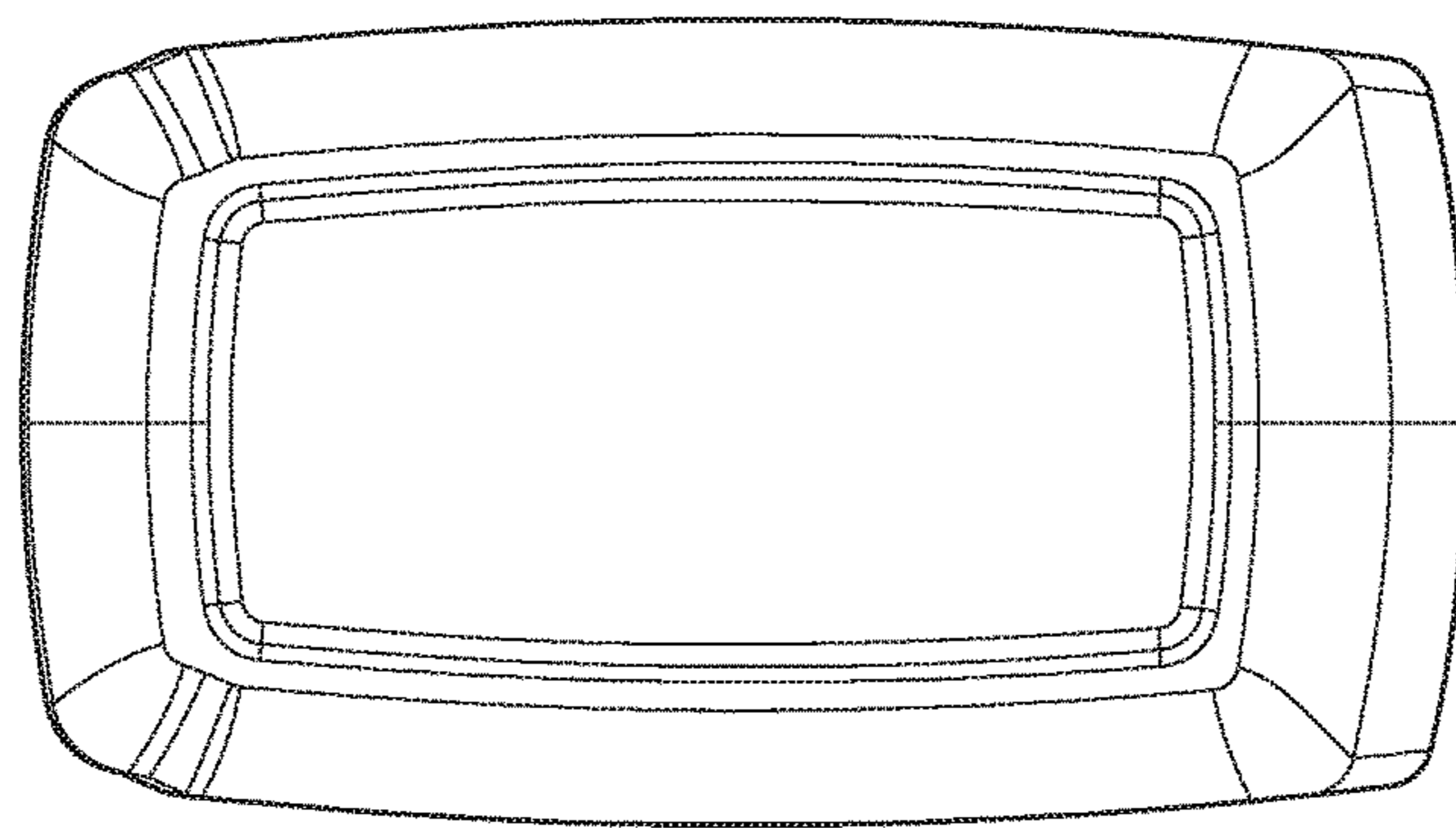


FIG. 10