



US00D792777S

(12) **United States Design Patent**
Huls et al.

(10) **Patent No.:** **US D792,777 S**
(45) **Date of Patent:** **** Jul. 25, 2017**

(54) **BOTTLE**

5,310,068 A 5/1994 Saghri
D426,460 S 6/2000 Krishnakumar et al.
D439,167 S 3/2001 Lichtman et al.

(71) Applicant: **PepsiCo, Inc.**, Purchase, NY (US)

(Continued)

(72) Inventors: **Sean Joseph Huls**, Chicago, IL (US);
Michael Andrew Lohmeier, Chicago, IL (US); **Toby Richard David Wingfield**, Crystal Lake, IL (US); **Lori Evans Bartman**, Sylvania, OH (US); **Robert Jon Groll**, Oregon, OH (US); **John Lester Ostby**, Seattle, WA (US); **Matthew Schmunk**, Portland, OR (US)

FOREIGN PATENT DOCUMENTS

EM 002043356-0002 5/2012
JP D1285255 S 11/2006

(Continued)

(73) Assignee: **PepsiCo, Inc.**, Purchase, NY (US)

“Powerade Ice Blast 500ml 12’li.” toptanservis.com. Date not available. Accessed Apr. 25, 2017. Available online at URL: <http://toptanservis.com/powerade-ice-blast>.*

(**) Term: **15 Years**

Primary Examiner — Cathron Brooks

(21) Appl. No.: **29/549,534**

Assistant Examiner — Christian P McLean

(22) Filed: **Dec. 22, 2015**

(74) *Attorney, Agent, or Firm* — Sterne, Kessler, Goldstein & Fox P.L.L.C.

(51) **LOC (10) Cl.** **09-01**

(52) **U.S. Cl.**

USPC **D9/538**; D9/539; D9/553; D9/556

(58) **Field of Classification Search**

USPC D7/300–322, 396.2, 509–511, 523, 589,
D7/598, 612, 615, 619.1; D9/500–575;
215/40–55, 316–354, 370–385;
220/574–575

CPC . B05B 11/0089; B29D 23/20; B29L 2023/20;
B65D 1/00; B65D 1/02; B65D 1/0223;
B65D 1/023; B65D 1/0276; B65D
47/0857; B65D 81/3288; F04B 9/14

See application file for complete search history.

(57) **CLAIM**

The ornamental design for a bottle, as shown and described.

DESCRIPTION

FIG. 1 is a top, front, right perspective view of a bottle showing the claimed design;
FIG. 2 is a bottom, rear, left perspective view thereof;
FIG. 3 is a front view thereof;
FIG. 4 is a rear view thereof;
FIG. 5 is a left side view thereof;
FIG. 6 is a right side view thereof;
FIG. 7 is a top view thereof; and,
FIG. 8 is a bottom view thereof.

The dashed broken lines in the figures show portions of the bottle that form no part of the claimed design.

The dot-dash broken lines in the figures show boundaries that form no part of the claimed design.

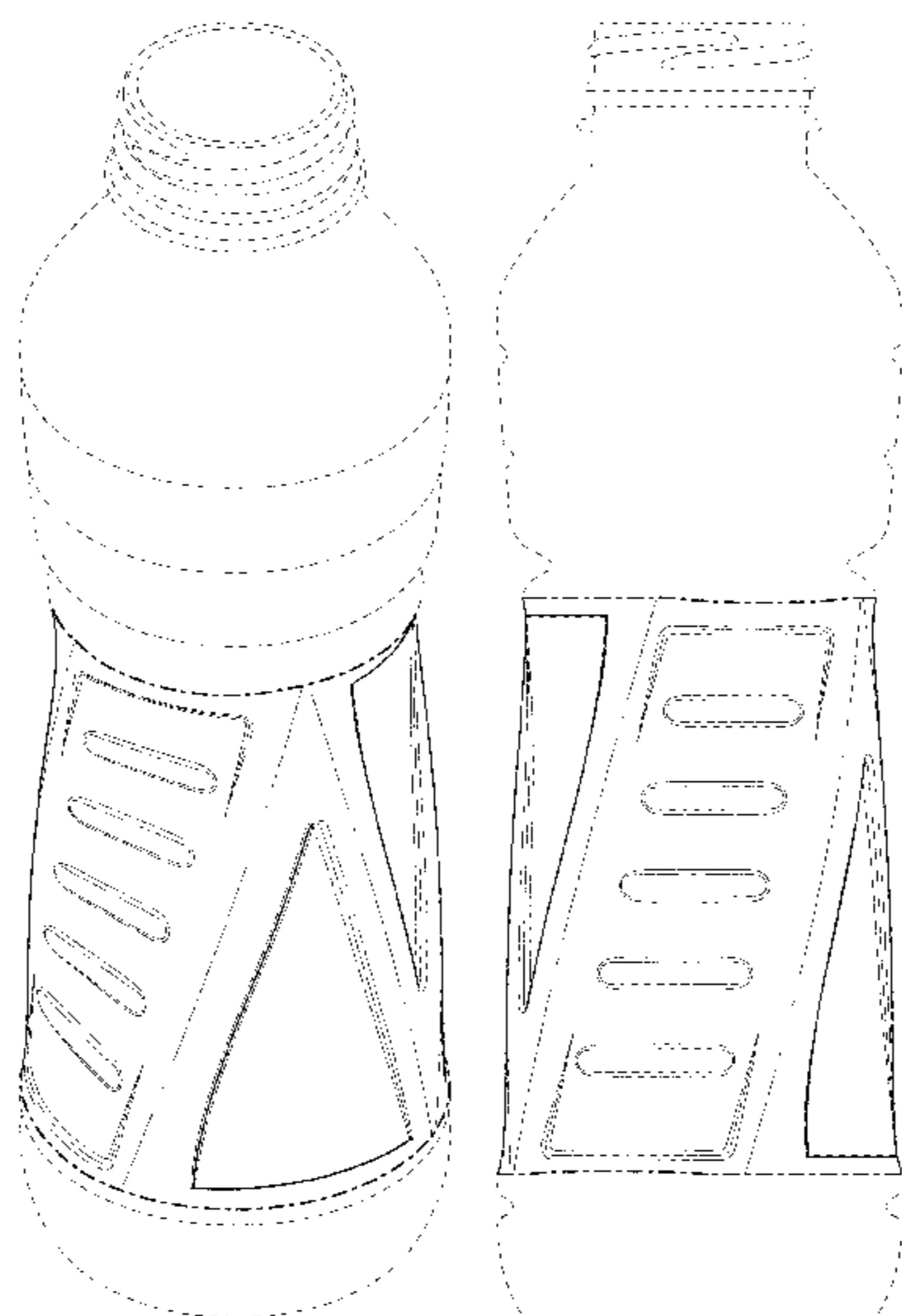
The shade lines in the figures show contour and not surface ornamentation.

(56) **References Cited**

U.S. PATENT DOCUMENTS

D240,593 S 7/1976 Koenigsberg
D295,381 S 4/1988 Papa
4,818,575 A 4/1989 Hirata
4,877,141 A 10/1989 Hayashi et al.
D308,482 S 6/1990 Wild

1 Claim, 4 Drawing Sheets



(56)

References Cited

U.S. PATENT DOCUMENTS

D441,658	S	5/2001	Lichtman et al.	
D447,956	S	9/2001	Bretz et al.	
D448,673	S	10/2001	Bretz et al.	
D488,722	S	4/2004	Evans et al.	
D488,723	S	4/2004	Evans et al.	
D507,490	S *	7/2005	Mero	D9/550
D522,870	S	6/2006	Venkataraman	
D584,630	S *	1/2009	Darr	D9/538
D602,788	S	10/2009	Priore et al.	
D611,828	S *	3/2010	Lepoitevin	D9/538
D630,105	S *	1/2011	Bourne	D9/538
D698,659	S *	2/2014	Bronstein	D9/551
D705,071	S *	5/2014	Abend	D9/538
8,813,996	B2 *	8/2014	Steih	B65D 1/0223 215/381
8,881,922	B2 *	11/2014	Schlies	B65D 1/0223 215/381
D758,199	S	6/2016	Mody	
D770,288	S *	11/2016	Verdura	D9/516
2006/0289378	A1 *	12/2006	Zhang	B65D 79/005 215/381
2014/0346135	A1 *	11/2014	Melrose	B65D 1/0223 215/381
2016/0221739	A1 *	8/2016	Caboni	B65D 1/0223
2017/0073137	A1 *	3/2017	Maquita Nakano .	B65D 1/0223

FOREIGN PATENT DOCUMENTS

JP	D1285601	S	11/2006
KR	30-0400822		11/2005

* cited by examiner

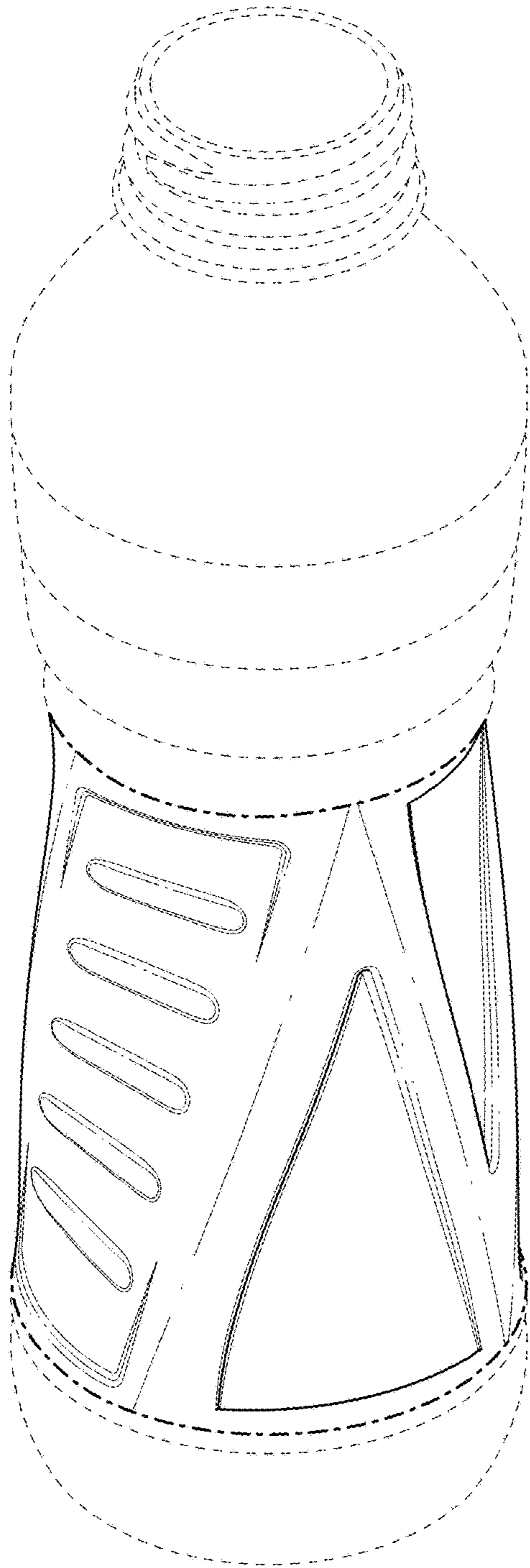


FIG. 1

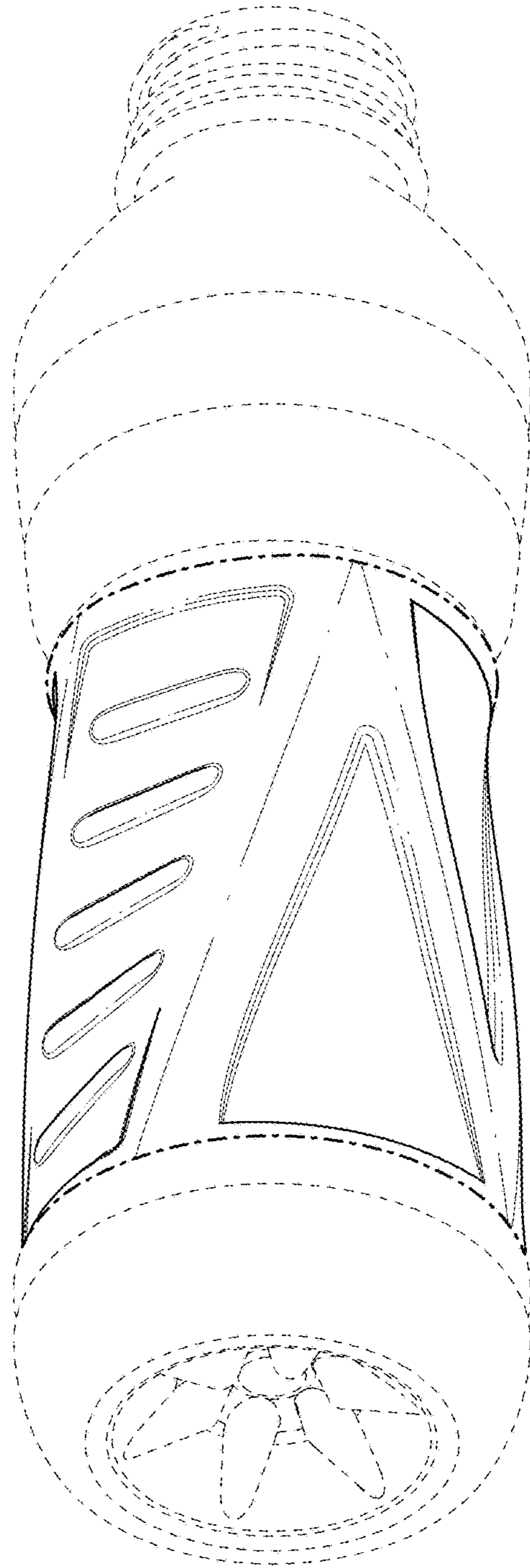


FIG. 2

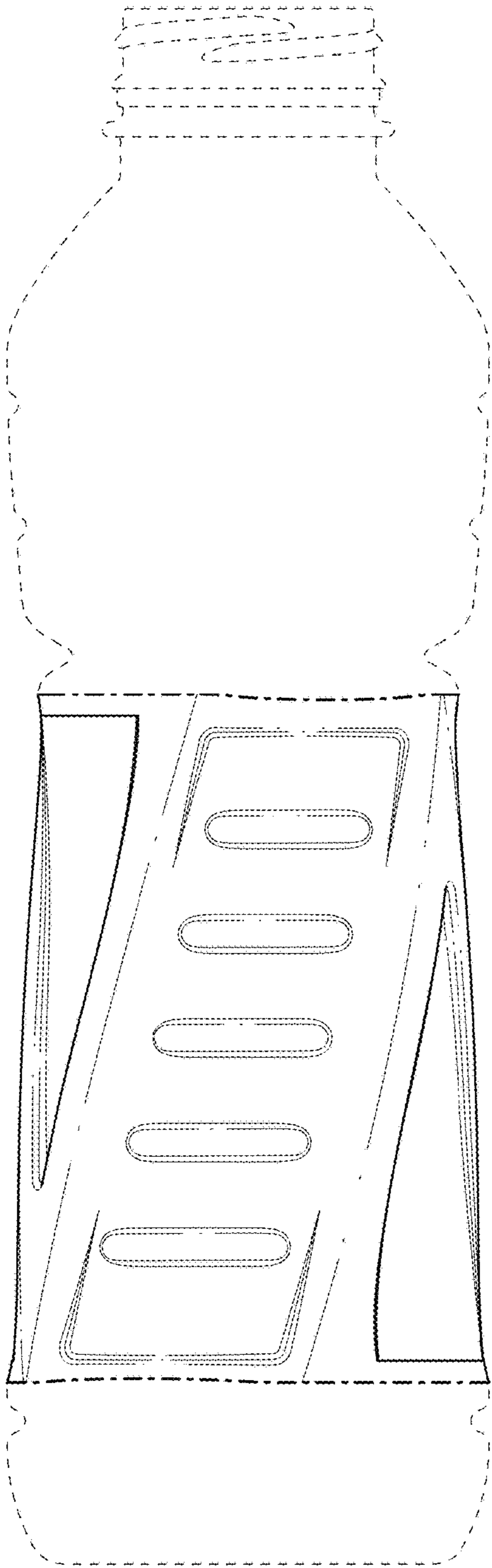


FIG. 3

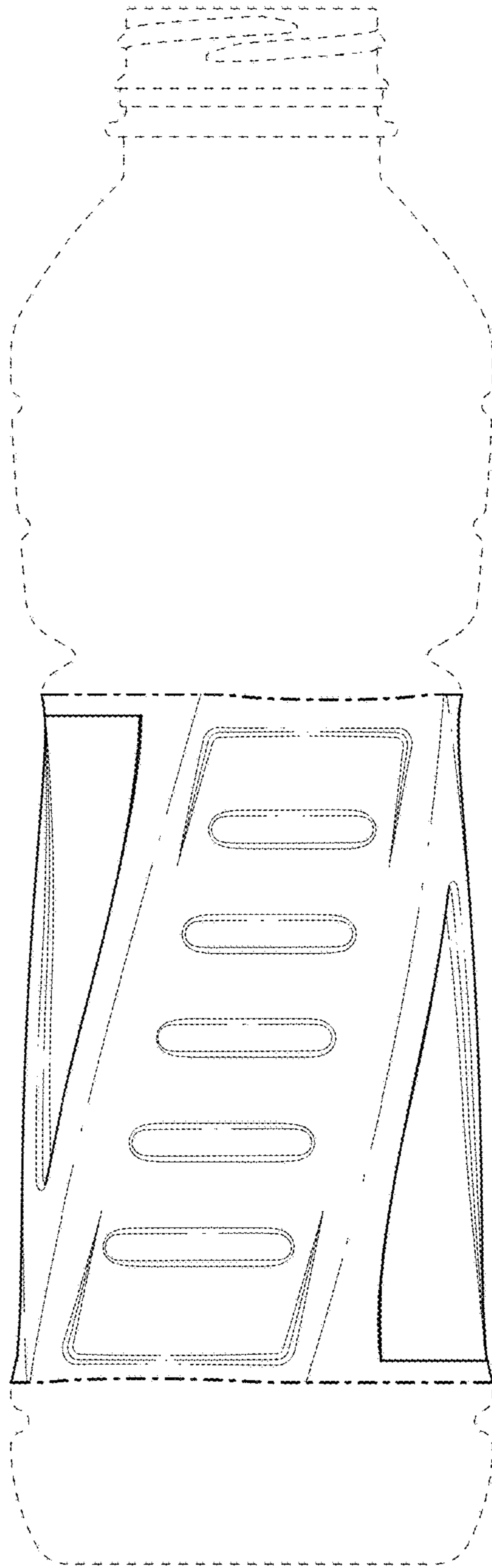


FIG. 4

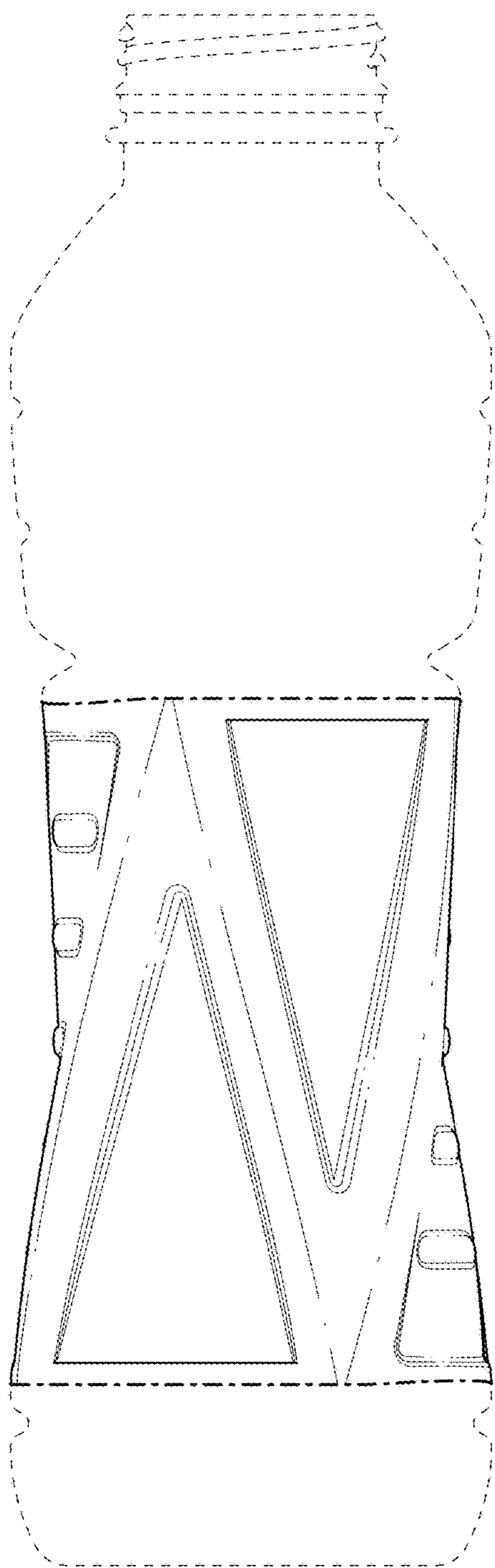


FIG. 5

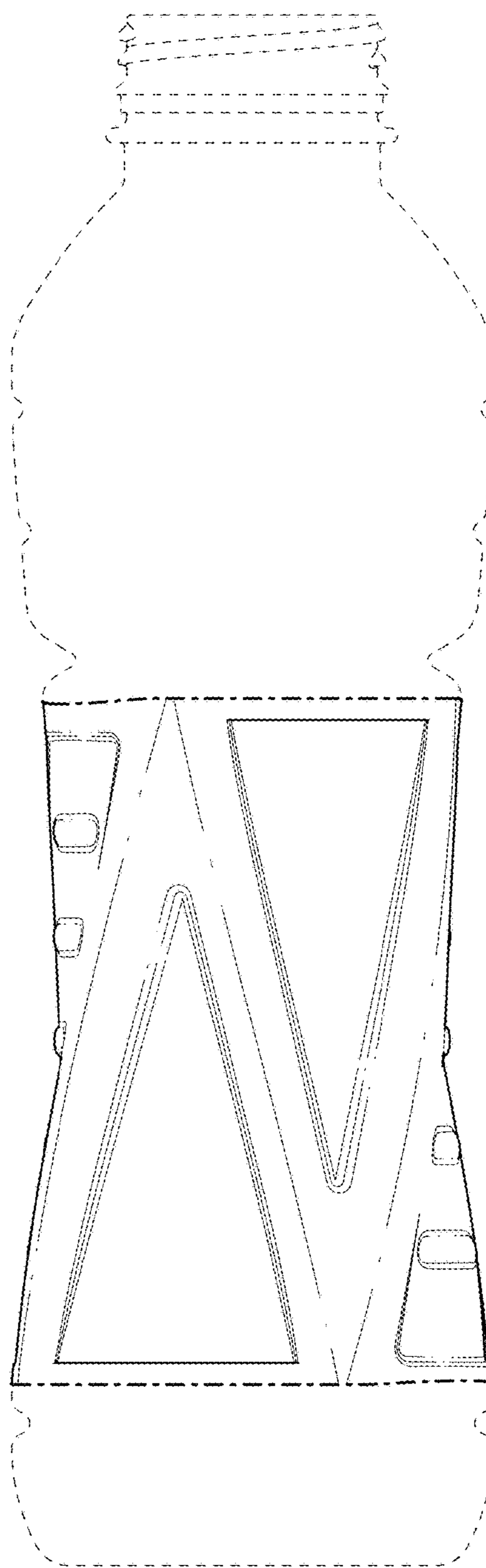


FIG. 6

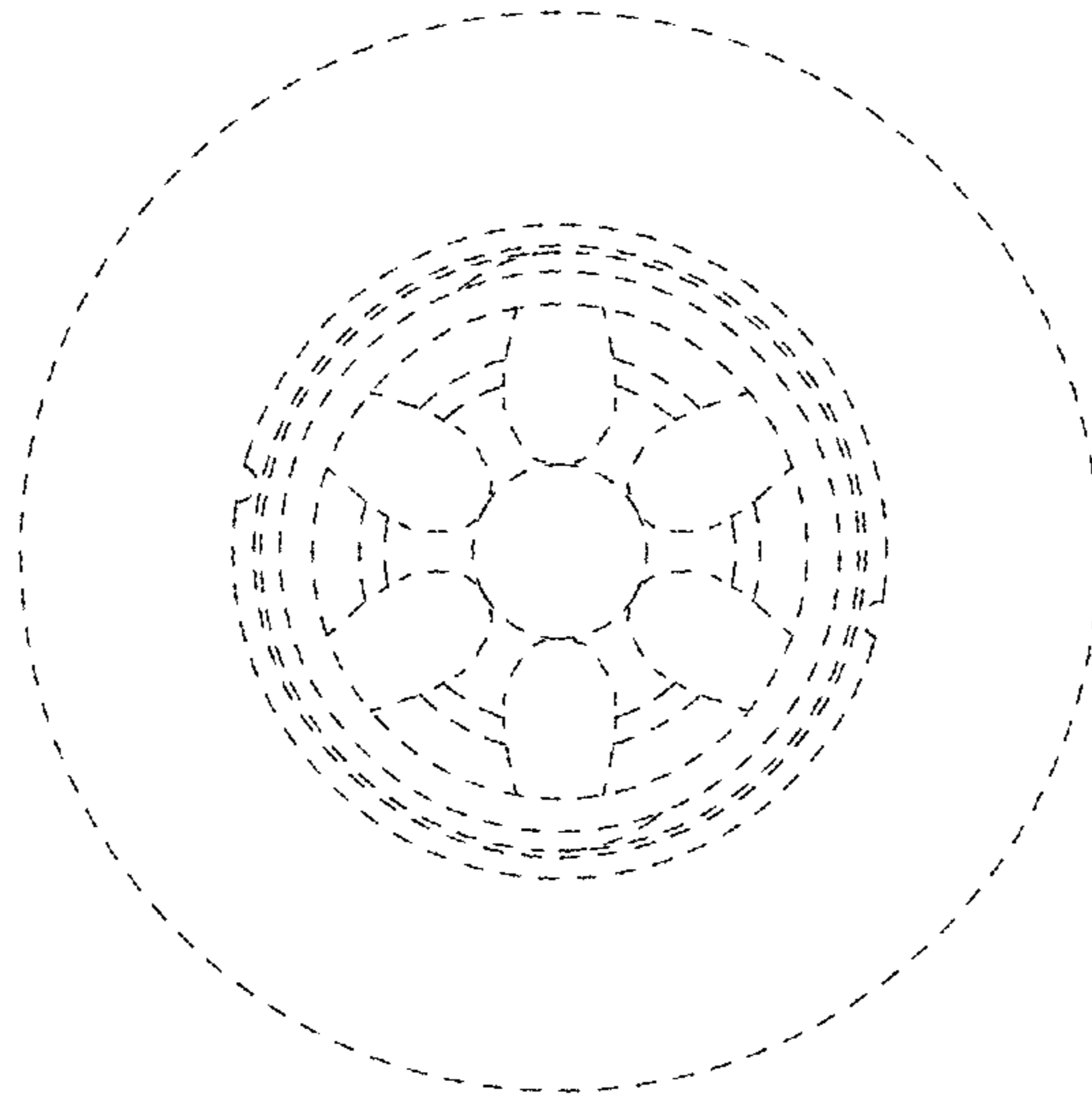


FIG. 7

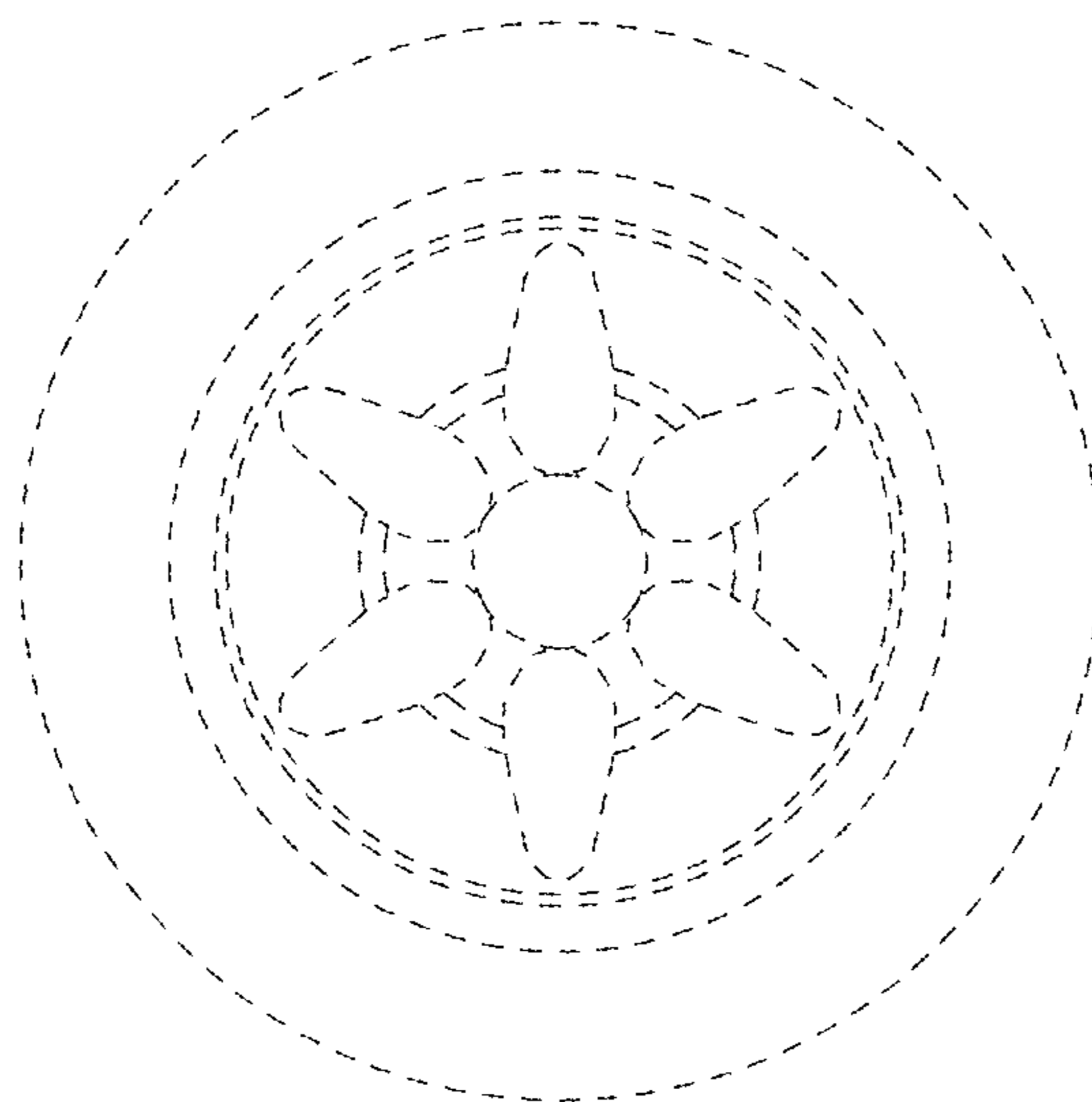


FIG. 8