



US00D792776S

(12) **United States Design Patent** (10) **Patent No.:** **US D792,776 S**
Le et al. (45) **Date of Patent:** **** Jul. 25, 2017**

(54) **BOTTLE**

(71) Applicant: **Bayer Healthcare LLC**, Whippany, NJ (US)

(72) Inventors: **Phillip Le**, Collierville, TN (US); **M. Gary Grossman**, Stamford, CT (US); **Thomas Van Dyk**, Ramsey, NJ (US); **Donald E. Staples**, Lawrenceville, GA (US); **Jack Thomas Hawkins, Jr.**, Franklin, KY (US)

(73) Assignee: **Bayer Healthcare LLC**, Whippany, NJ (US)

(**) Term: **14 Years**

(21) Appl. No.: **29/522,588**

(22) Filed: **Mar. 31, 2015**

(51) **LOC (10) Cl.** **09-01**

(52) **U.S. Cl.**
USPC **D9/521**

(58) **Field of Classification Search**
USPC D9/435, 436, 440, 445, 447, 449, 450, D9/453, 452, 442, 500-505, 520-522,
(Continued)

(56) **References Cited**

U.S. PATENT DOCUMENTS

D323,780 S * 2/1992 Addante D9/521
D398,239 S * 9/1998 Bertolini D9/520
(Continued)

OTHER PUBLICATIONS

“Coppertone Sport Sunscreen Lotion, SPF 30, Ultra Sweat-Proof, 8-Ounces” Apr. 23, 2009, amazon.com, site visited Nov. 19, 2016 <https://www.amazon.com/Coppertone-Sunscreen-Lotion-Sweat-Proof-8-Ounces/dp/B001EJOOAS/ref=sr_1_5_a_it?ie=UTF8&qid=1479604729&sr=85&keywords=Coppertone%2BSport%2BHigh%2BPerformance%2BSunscreen%2BLotion&th=1.*>

Primary Examiner — Kevin Rudzinski

Assistant Examiner — Paul Bohannon

(74) *Attorney, Agent, or Firm* — Lowenstein Sandler LLP

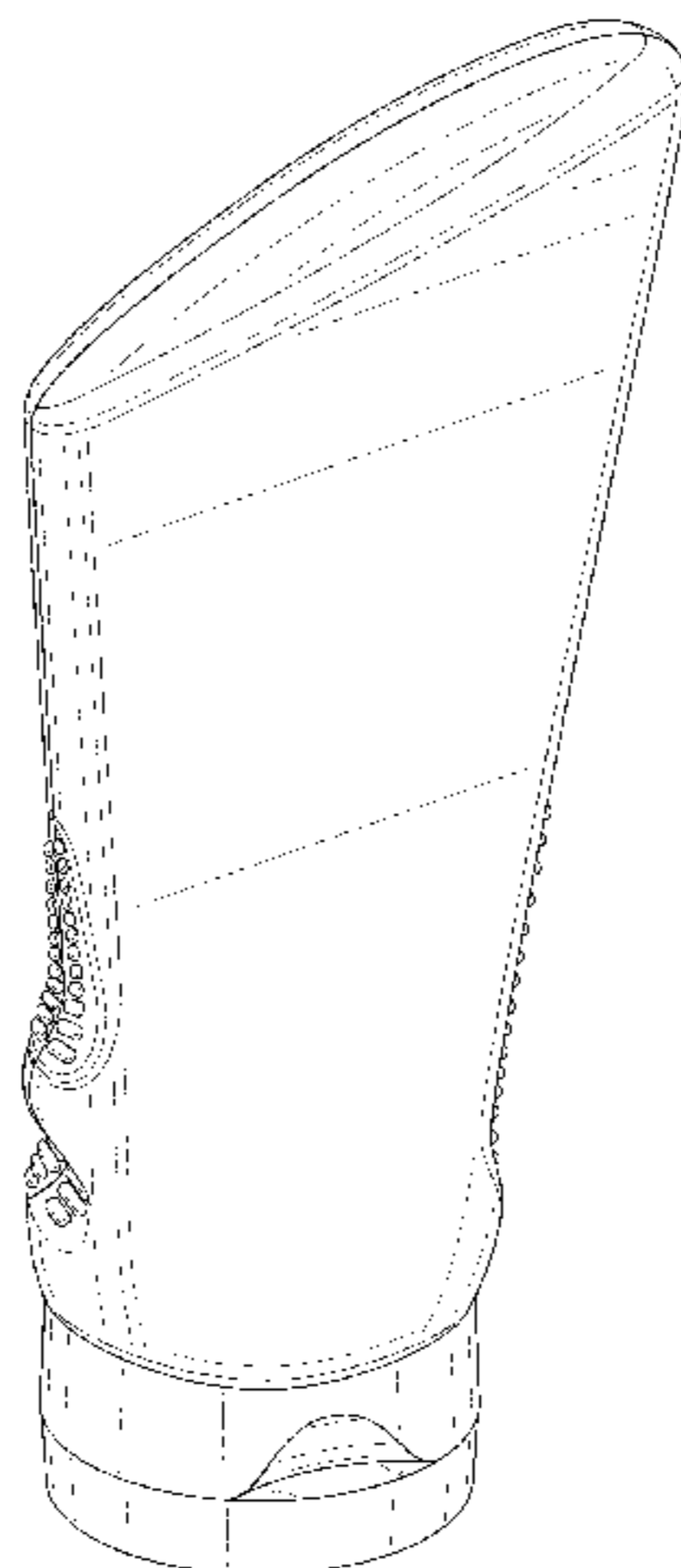
(57) **CLAIM**

The ornamental design for a bottle, as shown and described.

DESCRIPTION

FIG. 1 is a perspective view of a bottle showing our new design;
FIG. 2 is a right side elevation view thereof;
FIG. 3 is a left side elevation view thereof;
FIG. 4 is a front elevation view thereof;
FIG. 5 is a rear elevation view thereof;
FIG. 6 is a top elevation view thereof;
FIG. 7 is a bottom elevation view thereof;
FIG. 8 is a rear elevational view of a second embodiment, showing the bottle design of Embodiment 1 without the cap and including a different grip feature;
FIG. 9 is a front elevational view of a second embodiment, showing the bottle design of Embodiment 1 without the cap and including a different grip feature;
FIG. 10 is a rear elevational view of a third embodiment, showing the bottle design of Embodiment 1 without the cap and including a different grip feature;
FIG. 11 is a front elevational view of a third embodiment, showing the bottle design of Embodiment 1 without the cap and including a different grip feature;
FIG. 12 is a rear elevational view of a fourth embodiment, showing the bottle design of Embodiment 1 without the cap and including a different grip feature;
FIG. 13 is a front elevational view of a fourth embodiment, showing the bottle design of Embodiment 1 without the cap and including a different grip feature;
FIG. 14 is a rear elevational view of a fifth embodiment, showing the bottle design of Embodiment 1 without the cap and including a different grip feature; and,
FIG. 15 is a front elevation view of a fifth embodiment, showing the bottle design of Embodiment 1 without the cap and including a different grip feature.

(Continued)



The broken lines are included for the purpose of illustrating environmental structure that forms no part of the claimed design.

1 Claim, 9 Drawing Sheets

(58) Field of Classification Search

USPC D9/529, 550, 556, 546, 562-572, 512, D9/530, 532-543, 548, 516, 574, 575, D9/526, 558-561, 519, 726-729, 738, D9/740, 746, 764, 752, 759, 767, D9/772-783, 904; D3/202, 203.1-203.4, D3/203.7; D28/82, 4-8; D19/66, D19/115-179; D7/396.2, 509-511, 523, D7/590; D6/515, 542; D14/114, 485; D24/119, 197; D34/1, 2
CPC B65D 88/54; B65D 83/00; B65D 83/04; B65D 11/04; B65D 11/00; B65D 90/02; B65D 90/12; B65D 23/102; B65D 21/024; B65D 1/42; B65D 1/46; B65D 1/02; B65D 1/0207; B65D 1/023; B65D 1/04; B65D 1/10; B65D 1/12; B65D 1/14; B65D 1/16; B65D 1/165; B65D

1/18; B65D 1/0246; B65D 1/0238; B65D 1/0223; B65D 1/0215; B65D 13/02; B65D 23/00; B65D 35/00; B65D 35/02; B65D 35/04; B65D 35/56; B65D 35/08; B65D 39/00; B65D 39/0005; B65D 39/0029; B65D 41/0428; B65D 41/04; B65D 41/0435; B65D 41/0442; B65B 7/28; A61J 9/00; A45F 5/00; B29C 33/005

See application file for complete search history.

(56)

References Cited

U.S. PATENT DOCUMENTS

D438,118 S * 2/2001 Dalmau D9/520
D444,066 S * 6/2001 Fenton D9/521
D444,386 S * 7/2001 Weber D9/521
D526,204 S * 8/2006 Stolle D9/529
D533,076 S * 12/2006 Awbrey D8/367
D543,116 S * 5/2007 Heisner D9/540
D546,187 S * 7/2007 Ratzlaff D9/446
D553,502 S * 10/2007 Toh D9/530
D558,580 S * 1/2008 Kuzma D9/541
D594,340 S * 6/2009 Eilken D9/449
D598,287 S * 8/2009 Hering D9/516

* cited by examiner

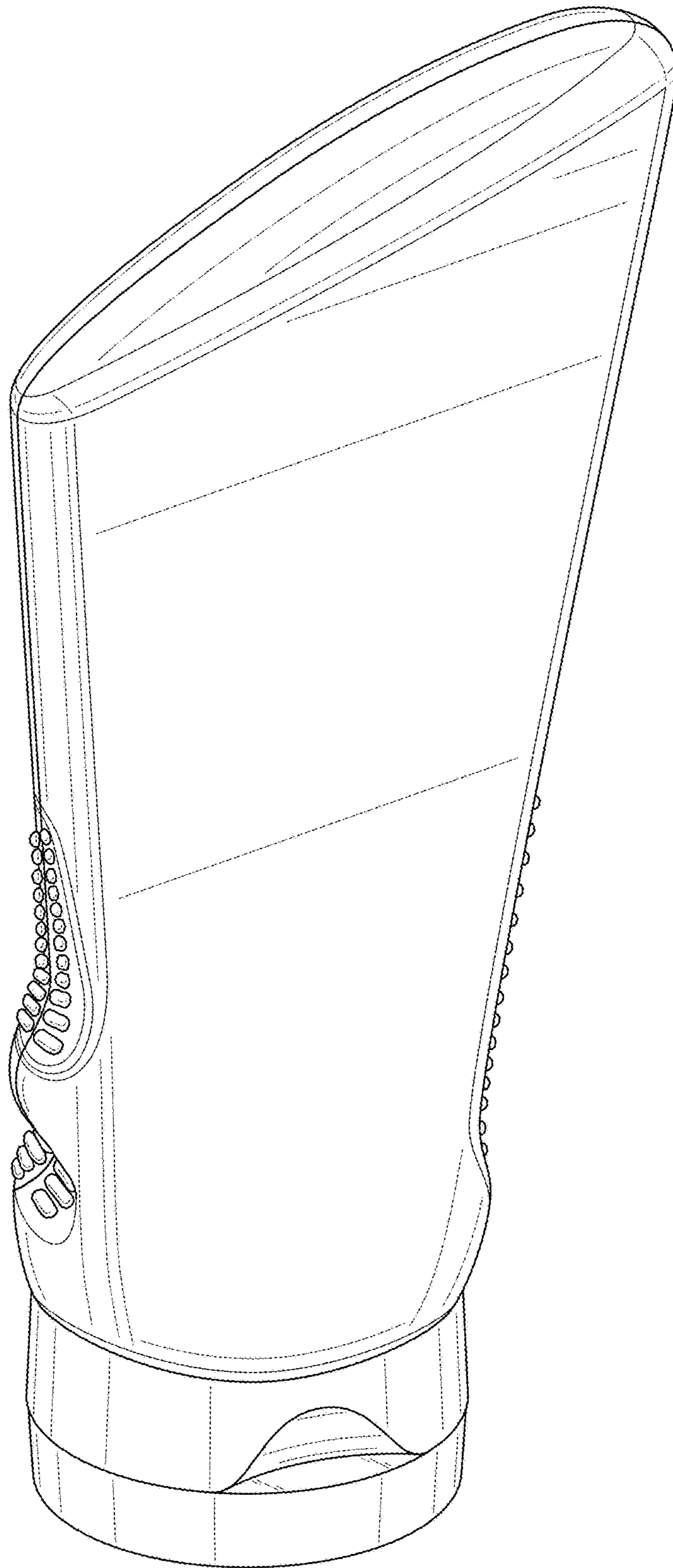


FIG. 1

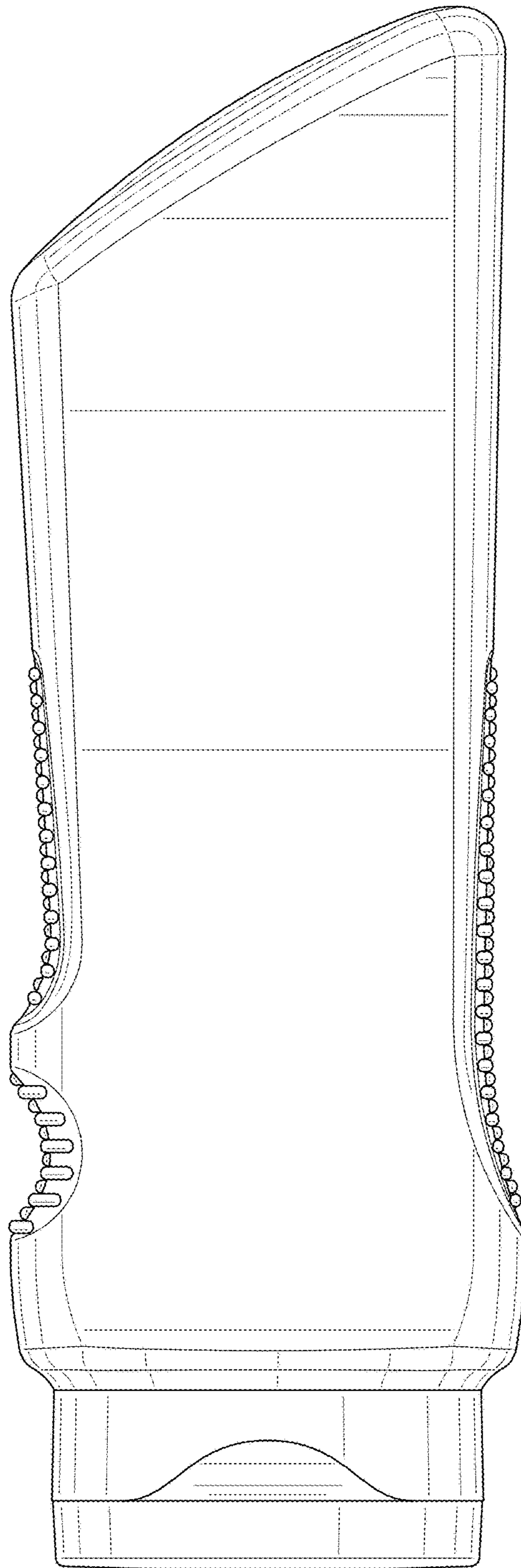


FIG. 2

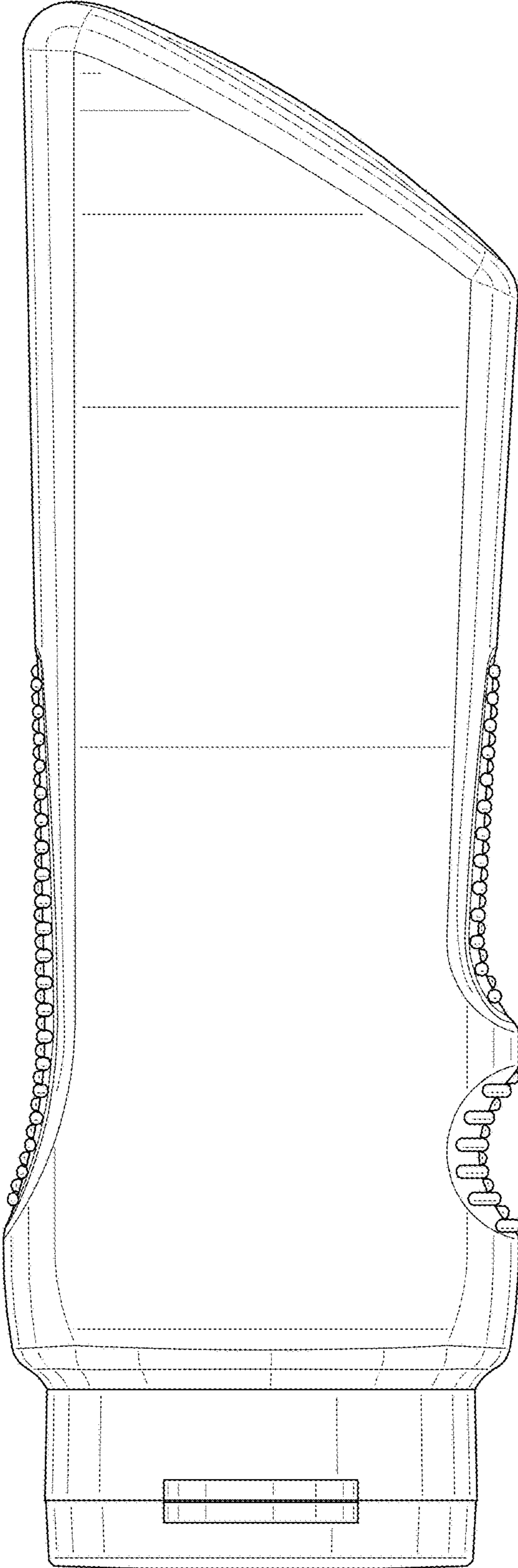


FIG. 3

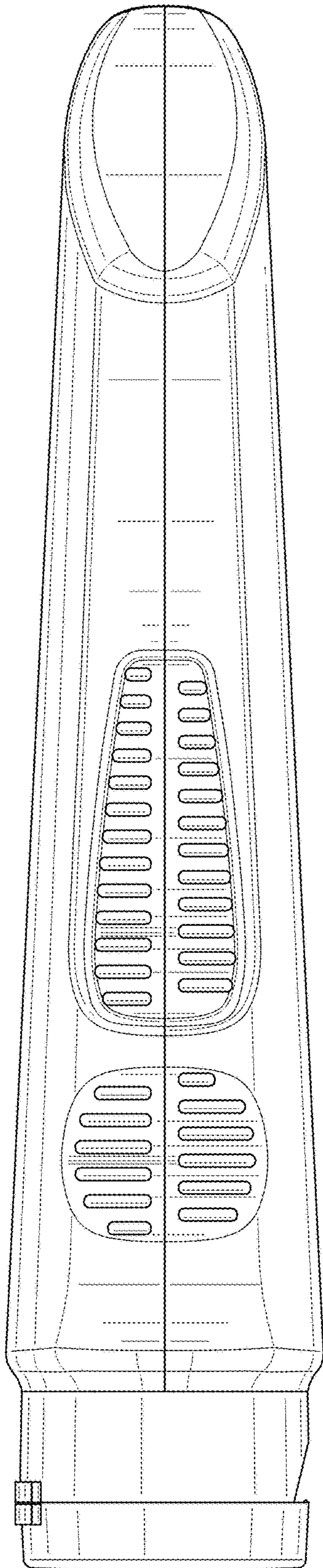


FIG. 5

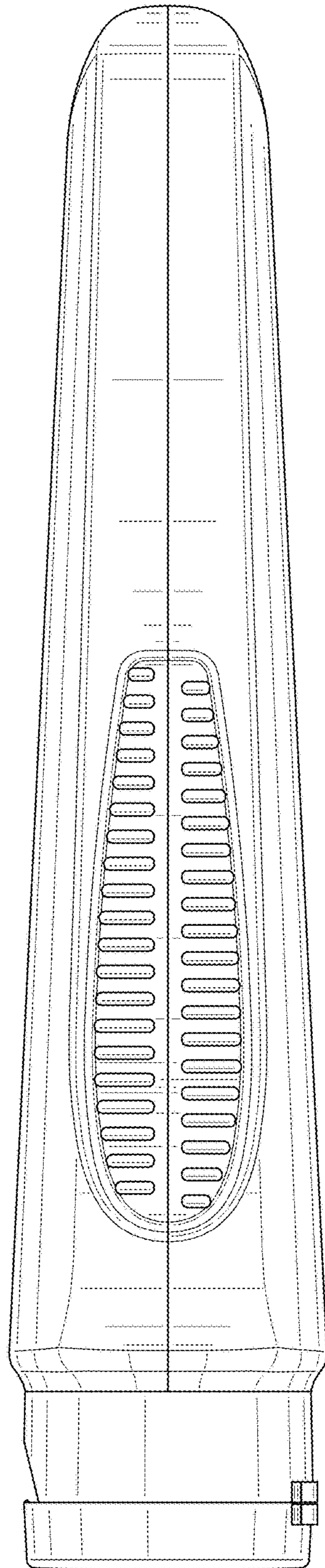


FIG. 4

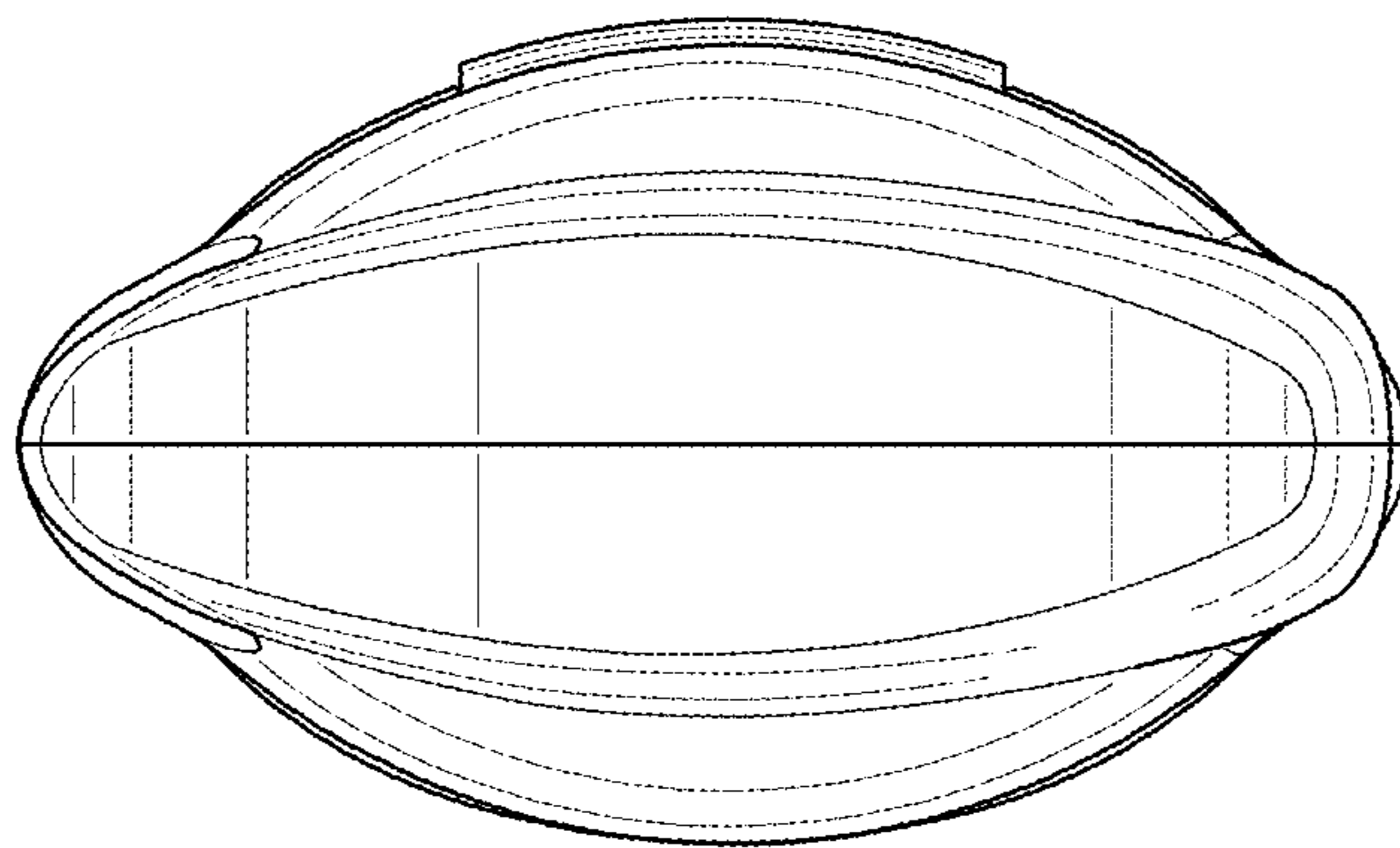


FIG. 6

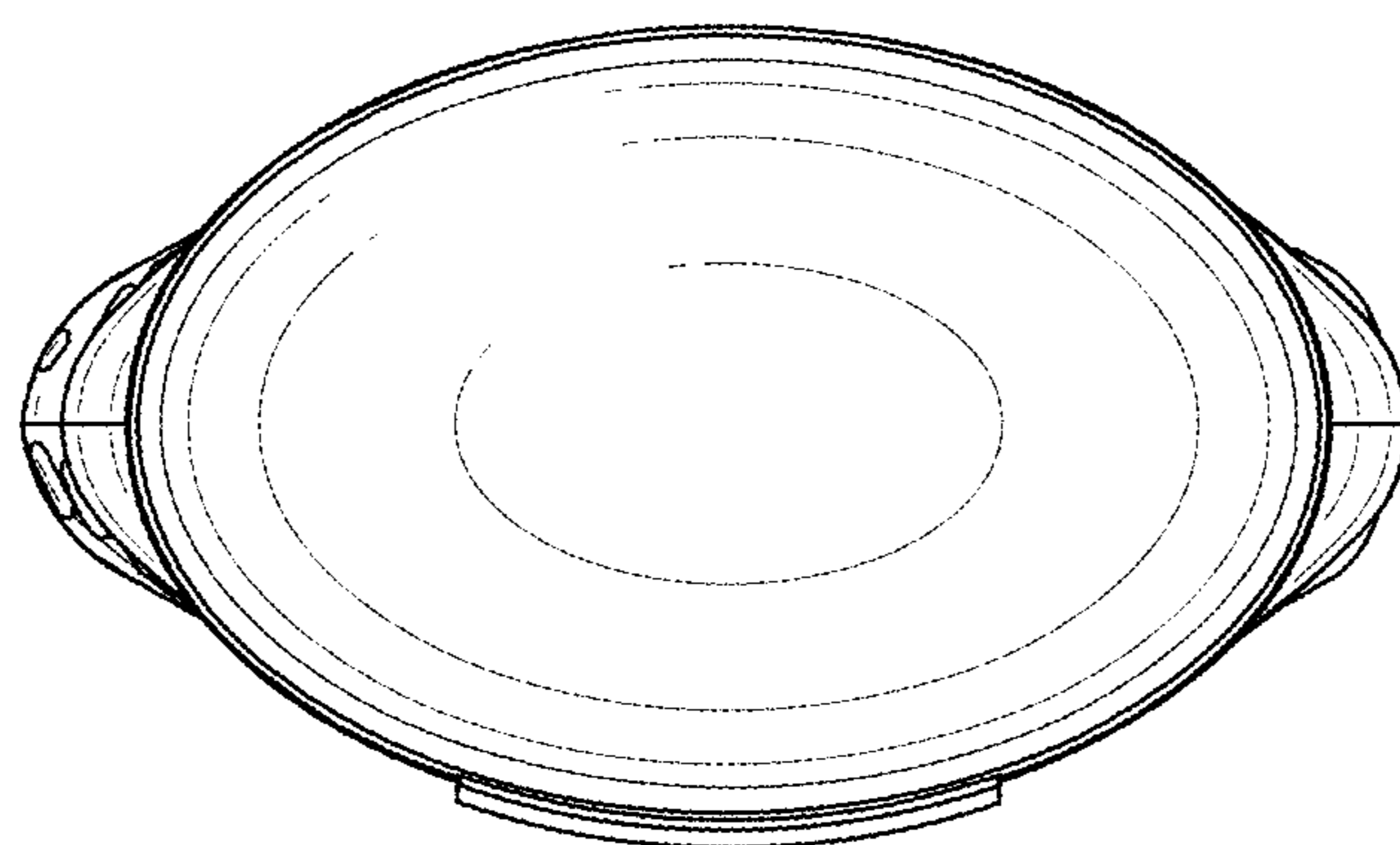


FIG. 7

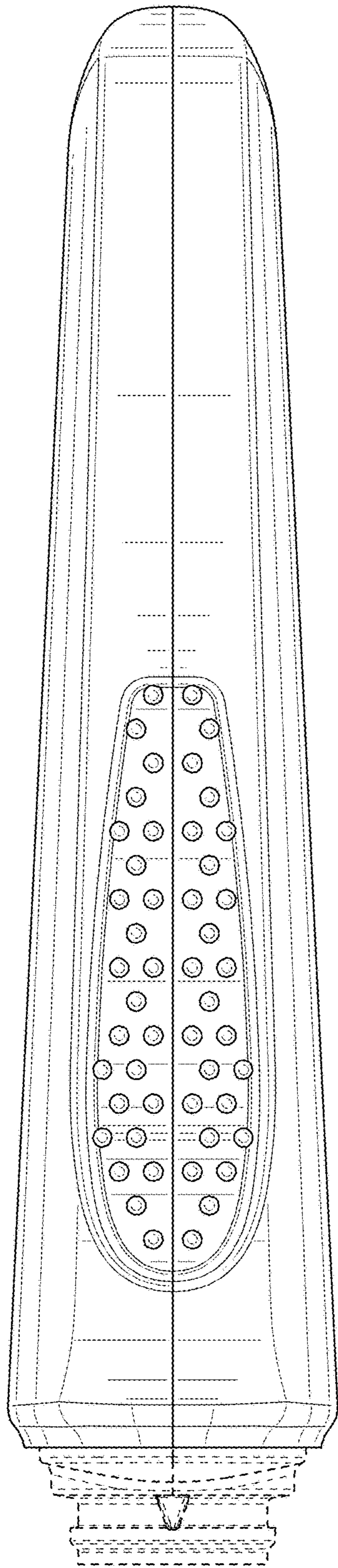


FIG. 8

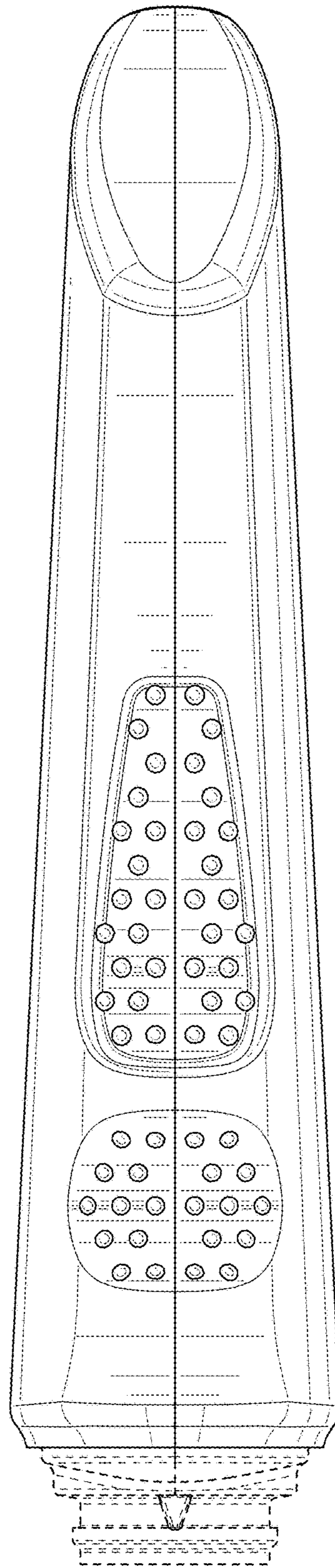


FIG. 9

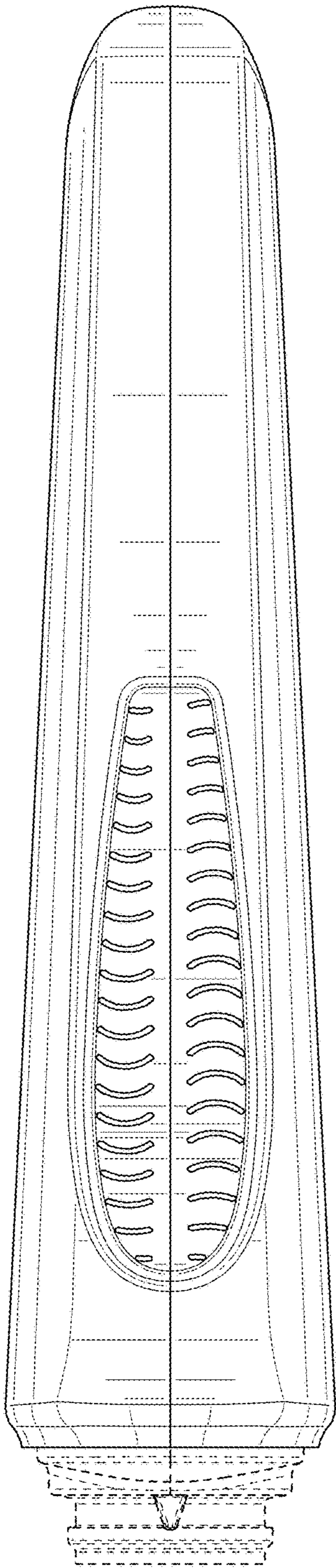


FIG. 10

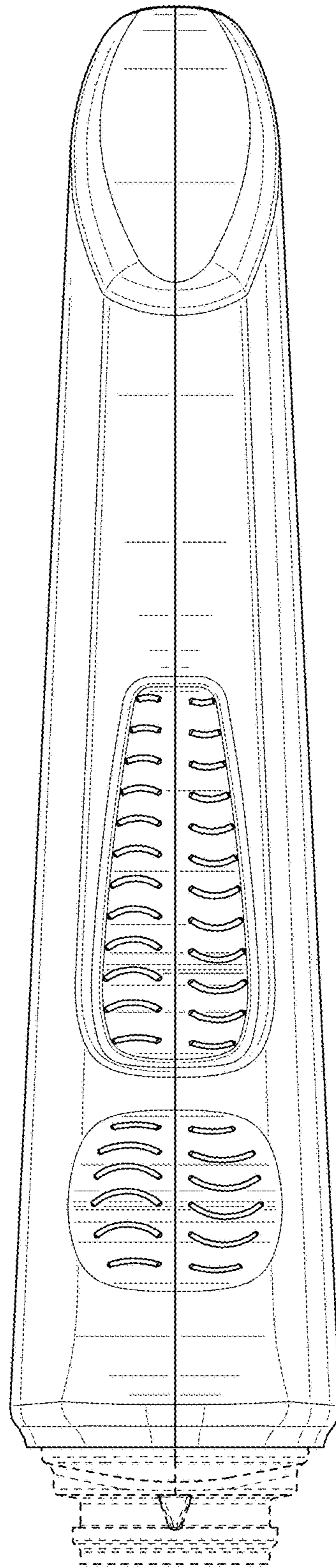


FIG. 11

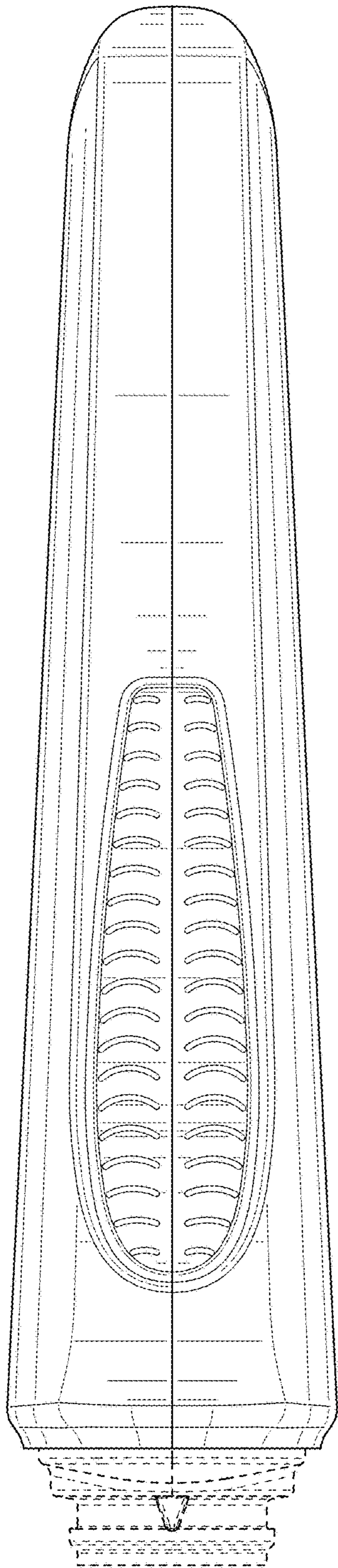


FIG. 12

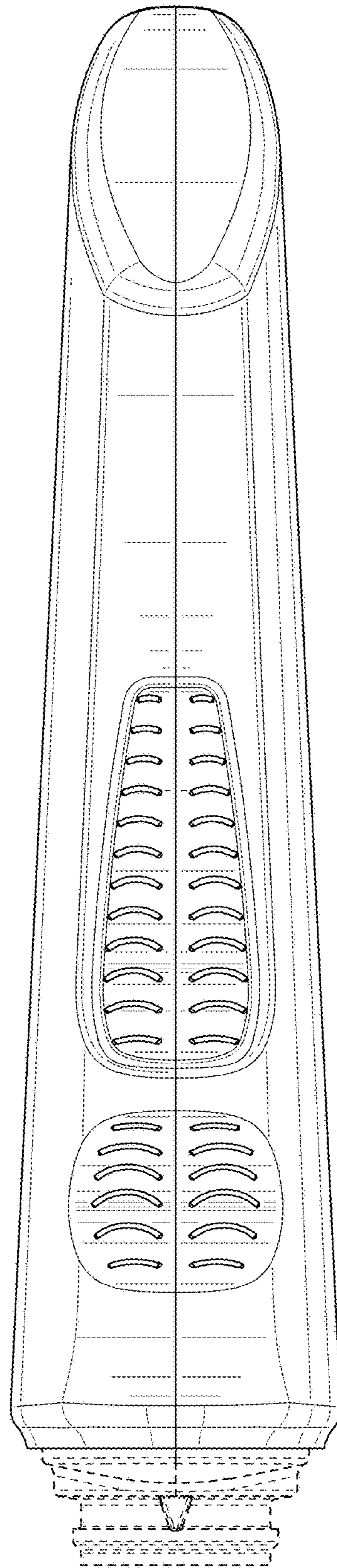


FIG. 13

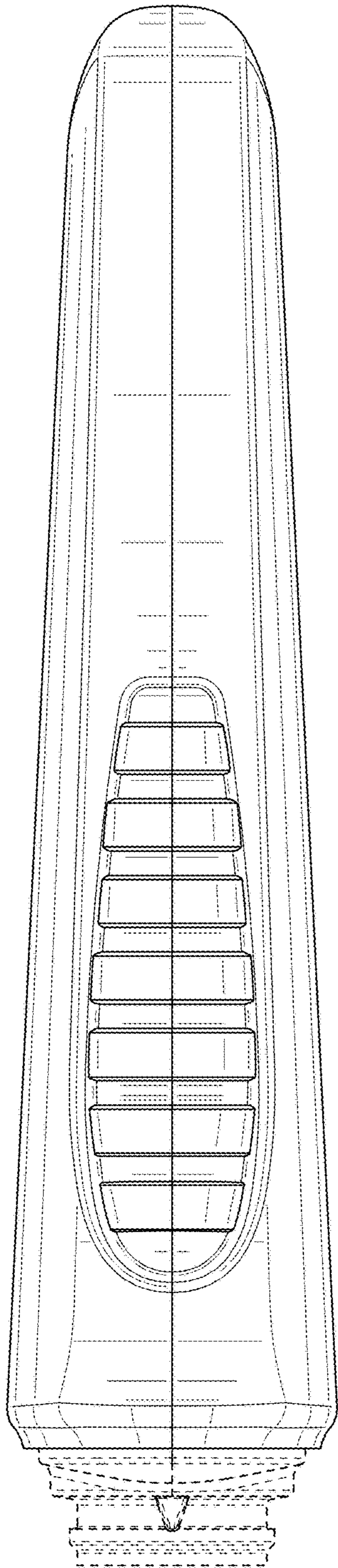


FIG. 14

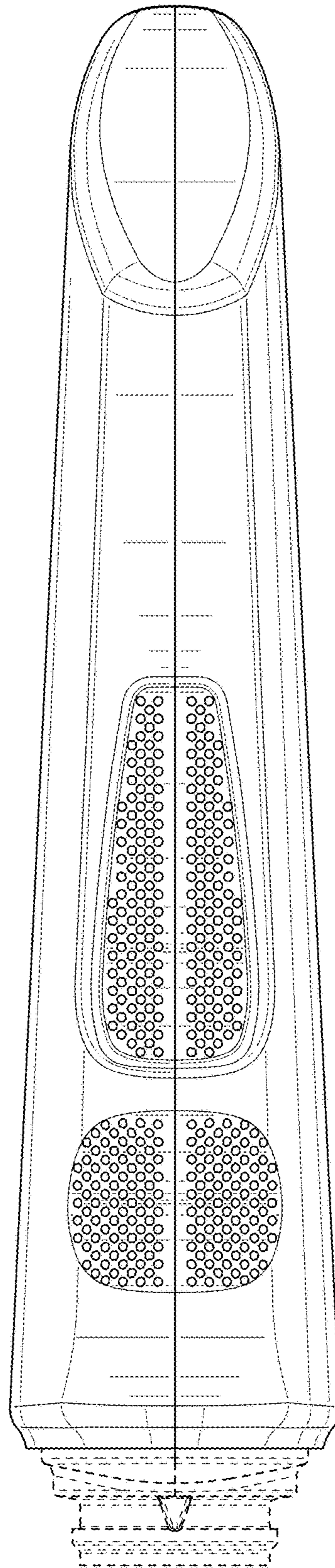


FIG. 15