



US00D792775S

(12) **United States Design Patent**
Le et al.

(10) **Patent No.:** **US D792,775 S**
(45) **Date of Patent:** **** Jul. 25, 2017**

(54) **BOTTLE**

(74) *Attorney, Agent, or Firm* — Lowenstein Sandler LLP

(71) Applicant: **Bayer HealthCare LLC**, Whippany, NJ (US)

(57) **CLAIM**

The ornamental design for a bottle, as shown and described.

(72) Inventors: **Phillip Le**, Collierville, TN (US); **M. Gary Grossman**, Stamford, CT (US); **Thomas Van Dyk**, Ramsey, NJ (US); **Donald E. Staples**, Lawrenceville, GA (US); **Jack Thomas Hawkins, Jr.**, Franklin, KY (US)

DESCRIPTION

(73) Assignee: **Bayer HealthCare LLC**, Whippany, NJ (US)

FIG. 1 is a perspective view of a bottle showing our new design;

(**) Term: **14 Years**

FIG. 2 is a right side elevation view thereof;

(21) Appl. No.: **29/522,587**

FIG. 3 is a left side elevation view thereof;

(22) Filed: **Mar. 31, 2015**

FIG. 4 is a front elevation view thereof;

(51) **LOC (10) Cl.** **09-01**

FIG. 5 is a rear elevation view thereof;

(52) **U.S. Cl.**

FIG. 6 is a top elevation view thereof;

USPC **D9/521**

FIG. 7 is a bottom elevation view thereof;

(58) **Field of Classification Search**

USPC D9/435, 436, 440, 445, 447, 449, 450, D9/453, 452, 442, 500–505, 520–522,
(Continued)

FIG. 8 is a rear elevational view of a second embodiment, showing the bottle design of Embodiment 1 without the cap and including a different grip feature;

(56) **References Cited**

U.S. PATENT DOCUMENTS

D323,780 S * 2/1992 Addante D9/521
D398,239 S * 9/1998 Bertolini D9/520
(Continued)

FIG. 9 is a front elevational view of a second embodiment, showing the bottle design of Embodiment 1 without the cap and including a different grip feature;

OTHER PUBLICATIONS

“Coppertone Sport Sunscreen Lotion, SPF 30, Ultra Sweat-Proof, 8-Ounces” Apr. 23, 2009, amazon.com, site visited Nov. 19, 2016 <https://www.amazon.com/Coppertone-Sunscreen-Lotion-Sweat-Proof-8-Ounces/dp/B001EJOOAS/ref=sr_1_5_a_it?ie=UTF8&qid=1479604729&sr=85&keywords=Coppertone%2BSport%2BHigh%2BPerformance%2BSunscreen%2BLotion&th=1>.*

FIG. 10 is a rear elevational view of a third embodiment, showing the bottle design of Embodiment 1 without the cap and including a different grip feature;

Primary Examiner — Kevin Rudzinski

Assistant Examiner — Paul Bohannon

FIG. 11 is a front elevational view of a third embodiment, showing the bottle design of Embodiment 1 without the cap and including a different grip feature;

FIG. 12 is a rear elevational view of a fourth embodiment, showing the bottle design of Embodiment 1 without the cap and including a different grip feature;

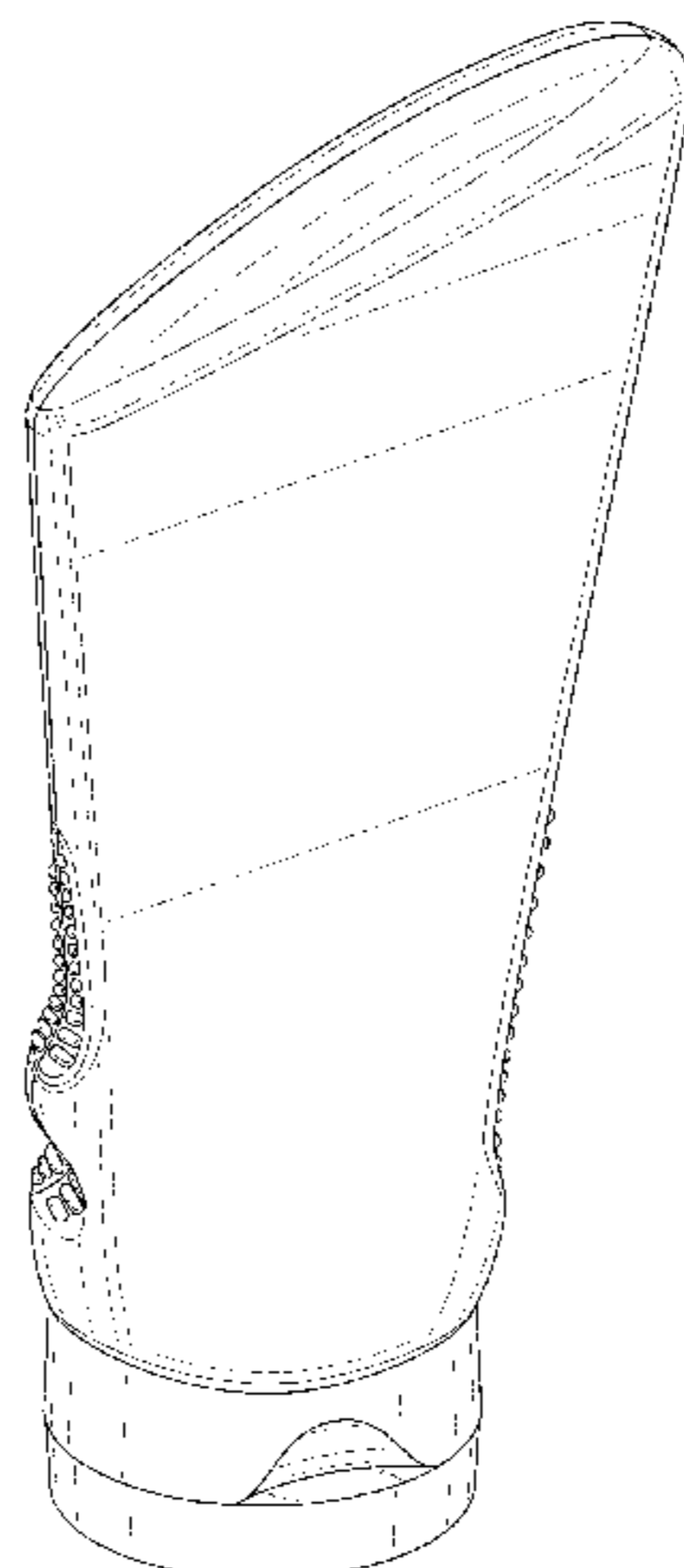
1 Claim, 9 Drawing Sheets

FIG. 13 is a front elevational view of a fourth embodiment, showing the bottle design of Embodiment 1 without the cap and including a different grip feature;

FIG. 14 is a rear elevational view of a fifth embodiment, showing the bottle design of Embodiment 1 without the cap and including a different grip feature; and,

FIG. 15 is a front elevation view of a fifth embodiment, showing the bottle design of Embodiment 1 without the cap and including a different grip feature.

The broken lines are included for the purpose of illustrating environmental structure that forms no part of the claimed design.



(58) Field of Classification Search

USPC D9/529, 550, 556, 546, 562-572, 512,
 D9/530, 532-543, 548, 516, 574, 575,
 D9/526, 558-561, 519, 726-729, 738,
 D9/740, 746, 764, 752, 759, 767,
 D9/772-783, 904; D3/202, 203.1-203.4,
 D3/203.7; D28/82, 4-8; D19/66,
 D19/115-179; D7/396.2, 509-511, 523,
 D7/590; D6/515, 542; D14/114, 485;
 D24/119, 197; D34/1, 2

CPC B65D 88/54; B65D 83/00; B65D 83/04;
 B65D 11/04; B65D 11/00; B65D 90/02;
 B65D 90/12; B65D 23/102; B65D
 21/024; B65D 1/42; B65D 1/46; B65D
 1/02; B65D 1/0207; B65D 1/023; B65D
 1/04; B65D 1/10; B65D 1/12; B65D
 1/14; B65D 1/16; B65D 1/165; B65D
 1/18; B65D 1/0246; B65D 1/0238; B65D
 1/0223; B65D 1/0215; B65D 13/02;
 B65D 23/00; B65D 35/00; B65D 35/02;
 B65D 35/04; B65D 35/56; B65D 35/08;

B65D 39/00; B65D 39/0005; B65D
 39/0029; B65D 41/0428; B65D 41/04;
 B65D 41/0435; B65D 41/0442; B65B
 7/28; A61J 9/00; A45F 5/00; B29C
 33/005

See application file for complete search history.

(56)

References Cited

U.S. PATENT DOCUMENTS

D438,118	S	*	2/2001	Dalmau	D9/520
D444,066	S	*	6/2001	Fenton	D9/521
D444,386	S	*	7/2001	Weber	D9/521
D526,204	S	*	8/2006	Stolle	D9/529
D533,076	S	*	12/2006	Awbrey	D8/367
D543,116	S	*	5/2007	Heisner	D9/540
D546,187	S	*	7/2007	Ratzlaff	D9/446
D553,502	S	*	10/2007	Toh	D9/530
D558,580	S	*	1/2008	Kuzma	D9/541
D594,340	S	*	6/2009	Eilken	D9/449
D598,287	S	*	8/2009	Hering	D9/516

* cited by examiner

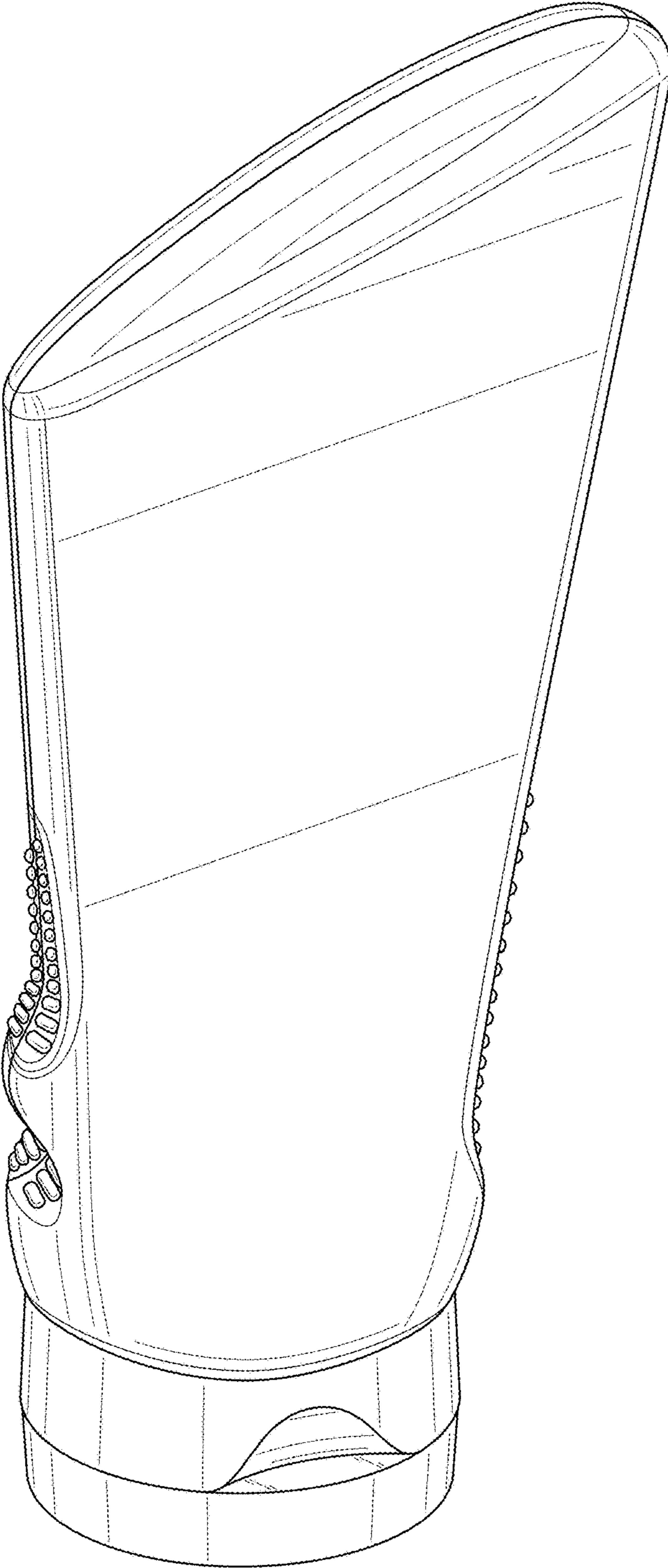


FIG. 1

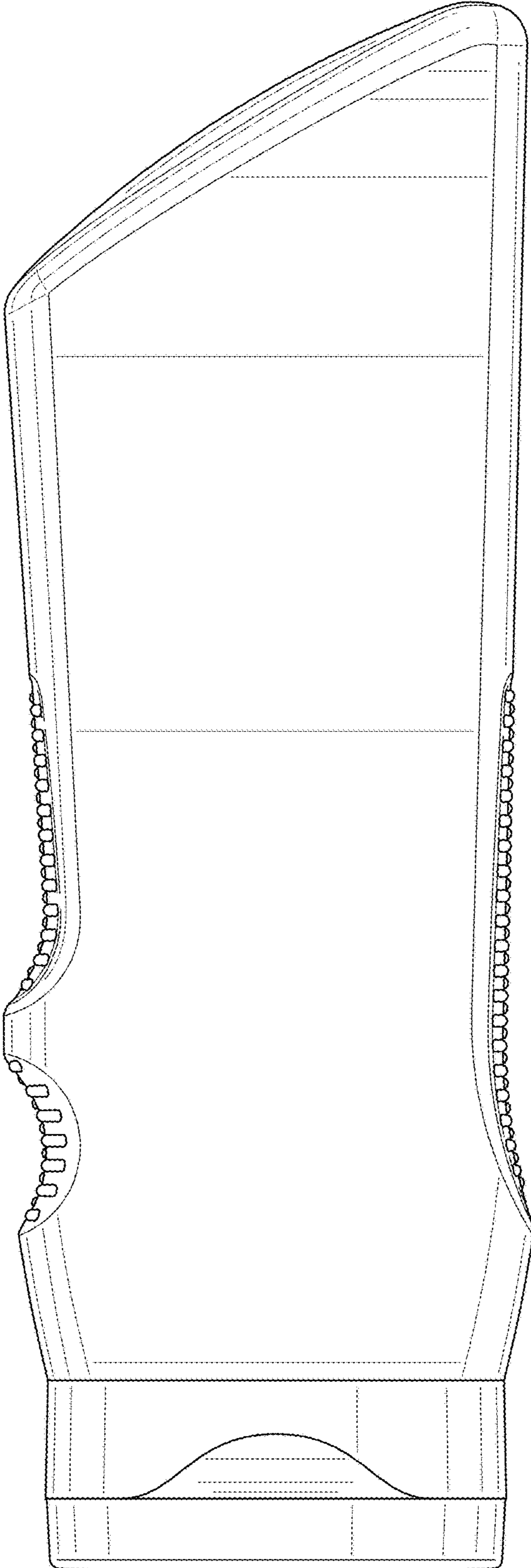


FIG. 2

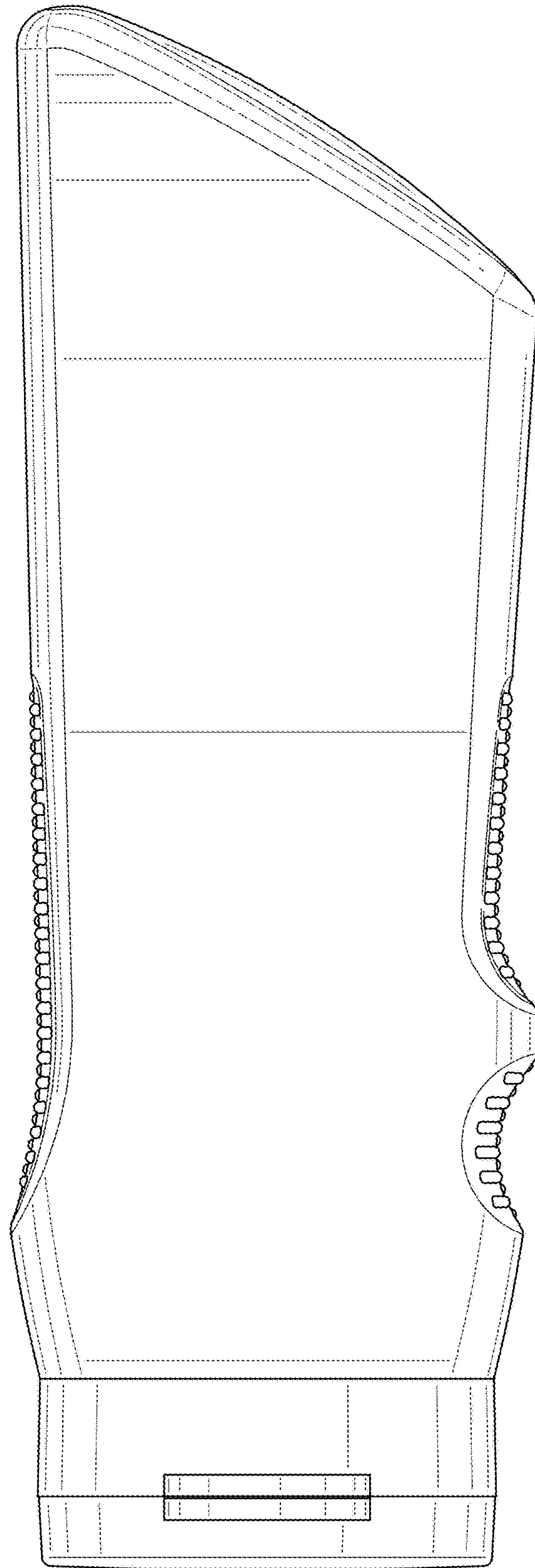


FIG. 3

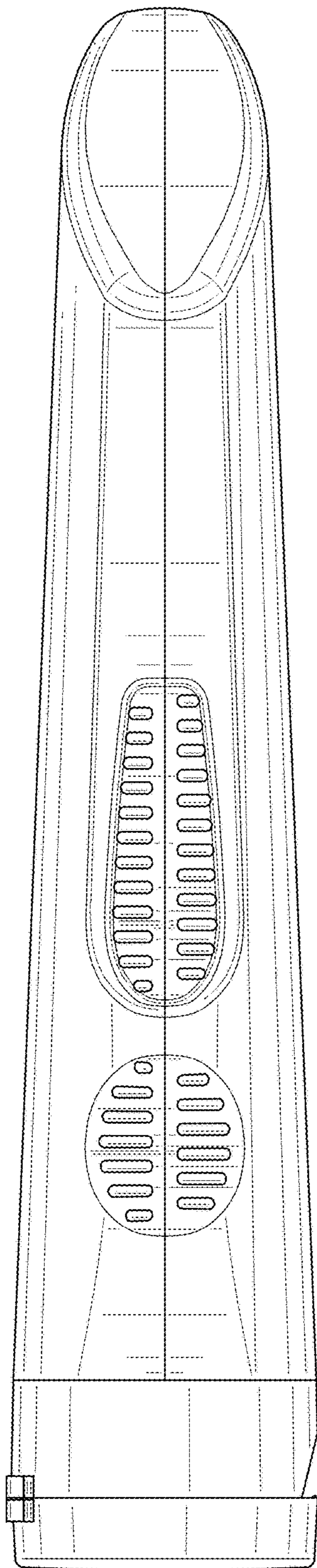


FIG. 4

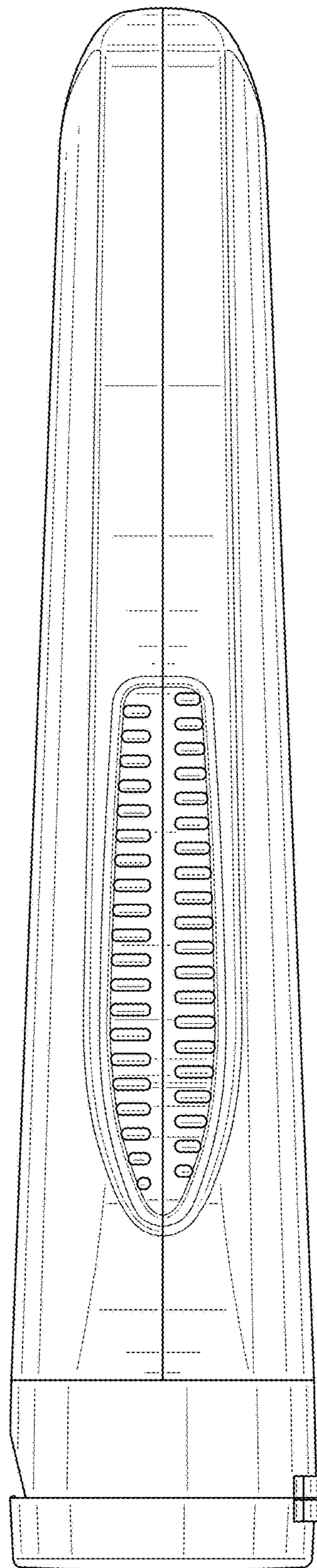


FIG. 5

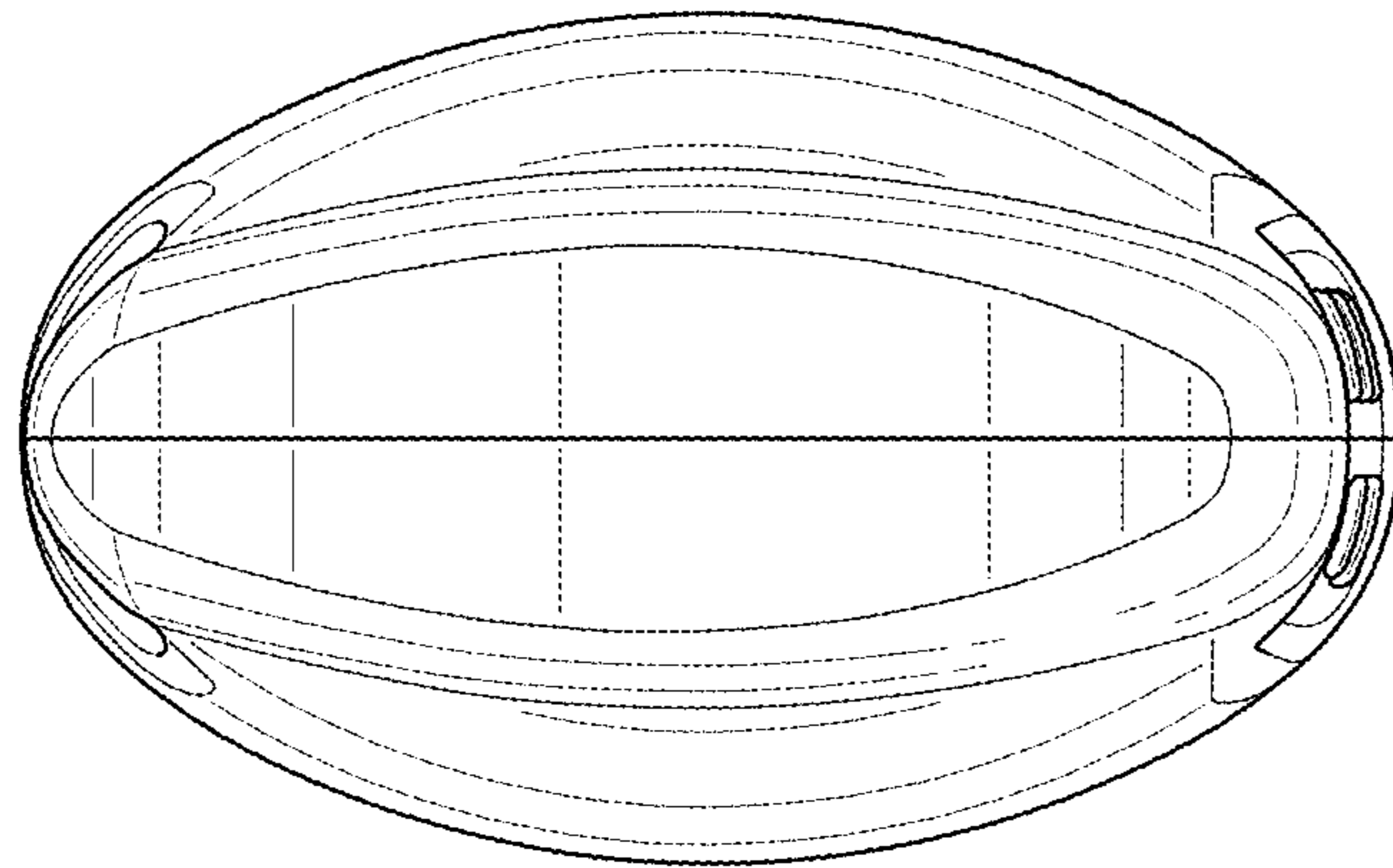


FIG. 6

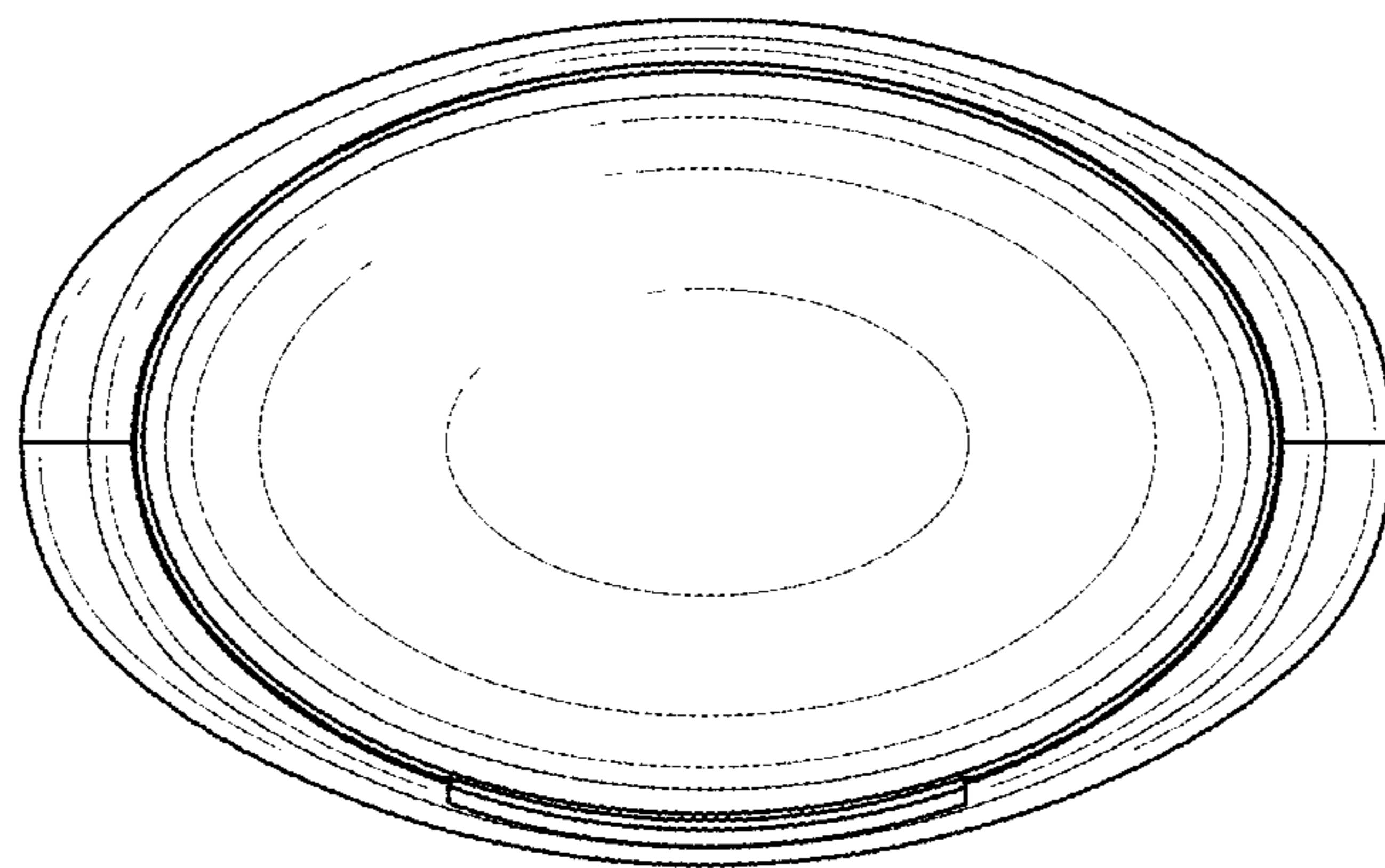


FIG. 7

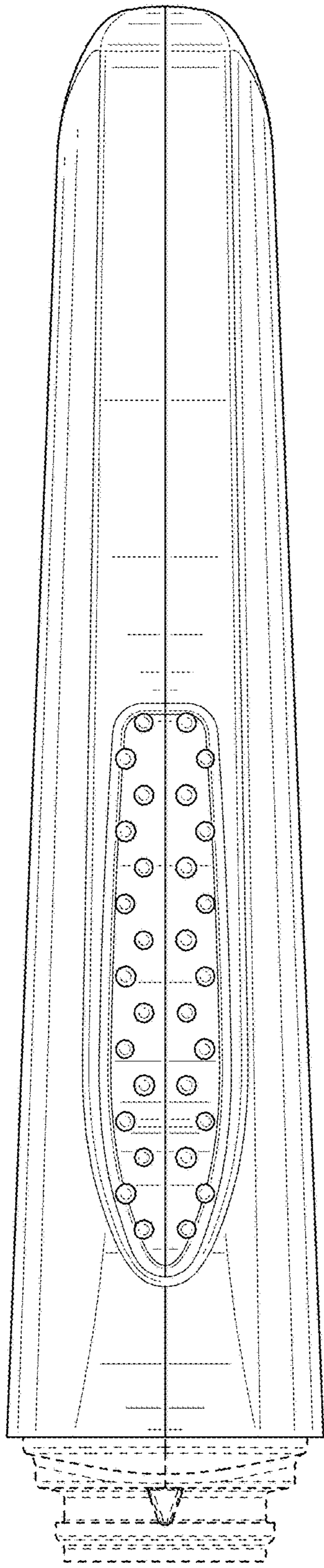


FIG. 8

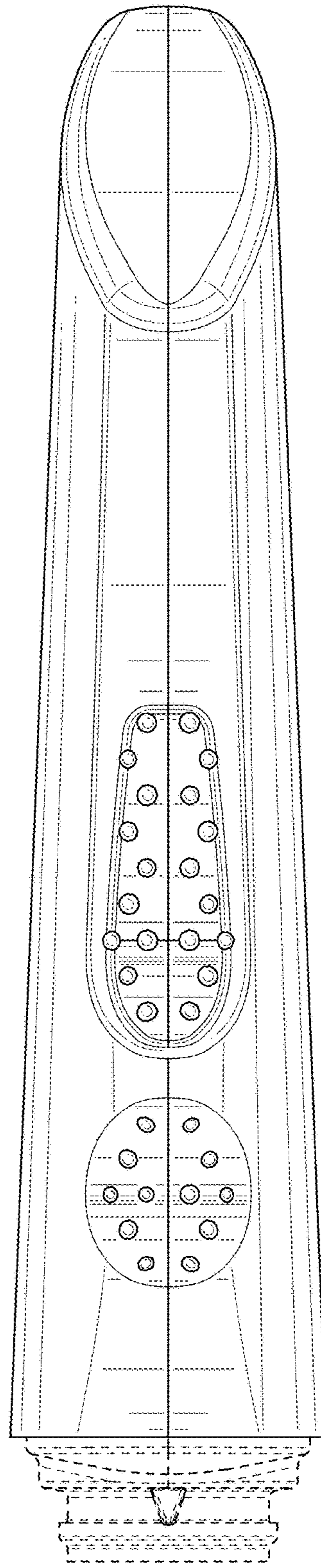


FIG. 9

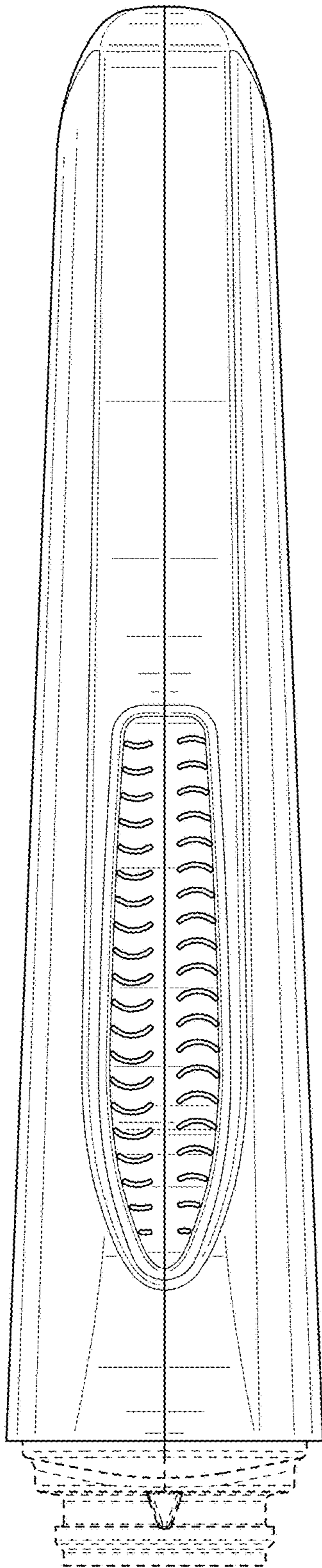


FIG. 10

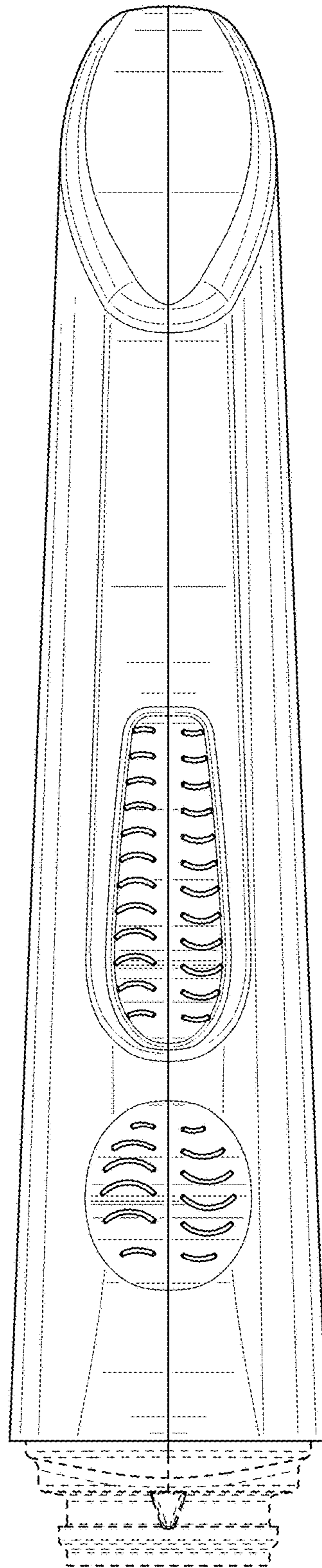


FIG. 11

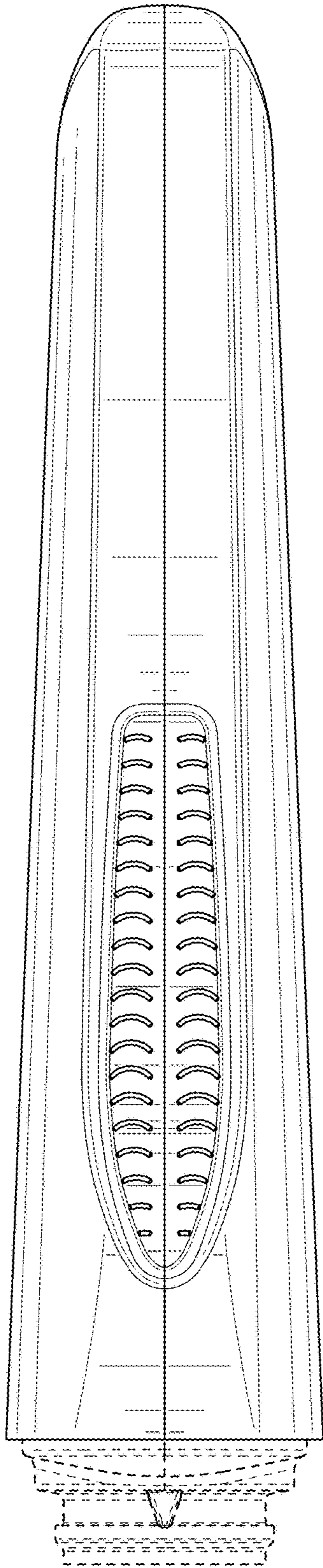


FIG. 12

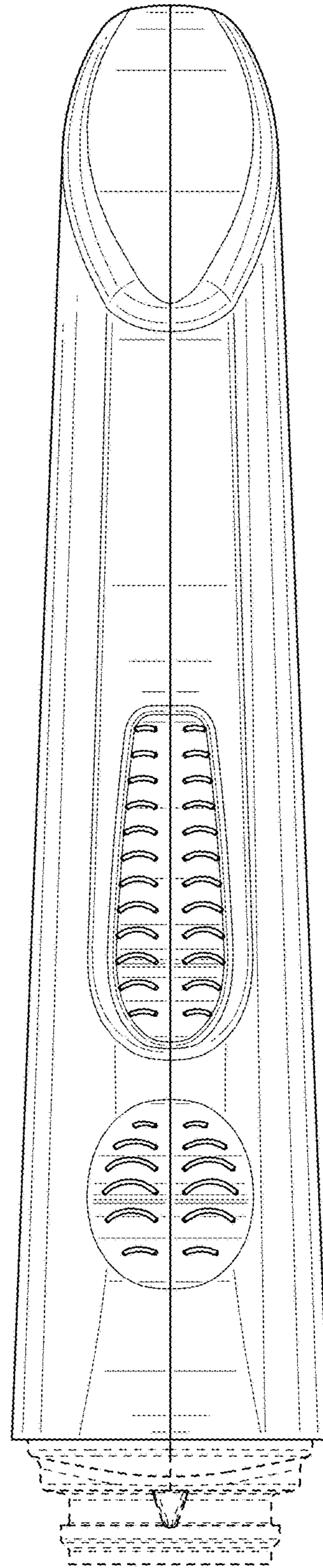


FIG. 13

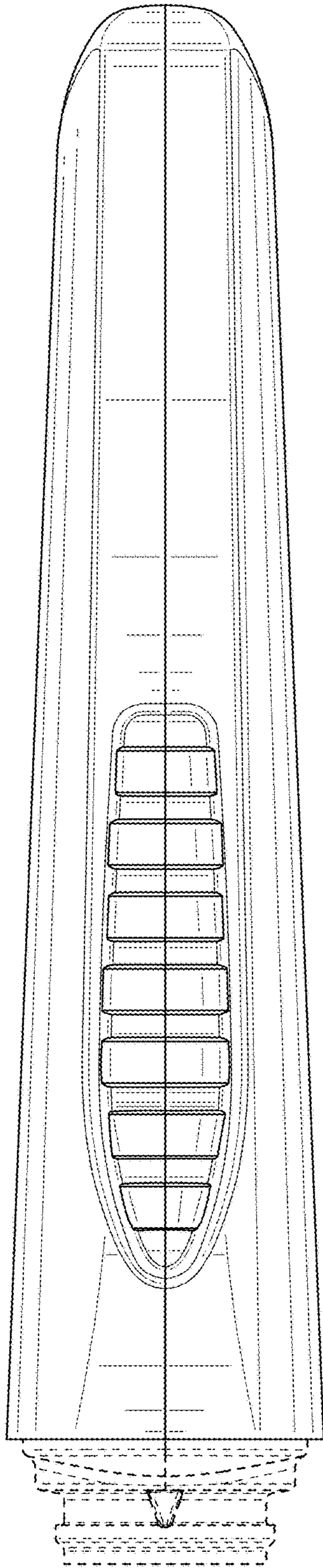


FIG. 14

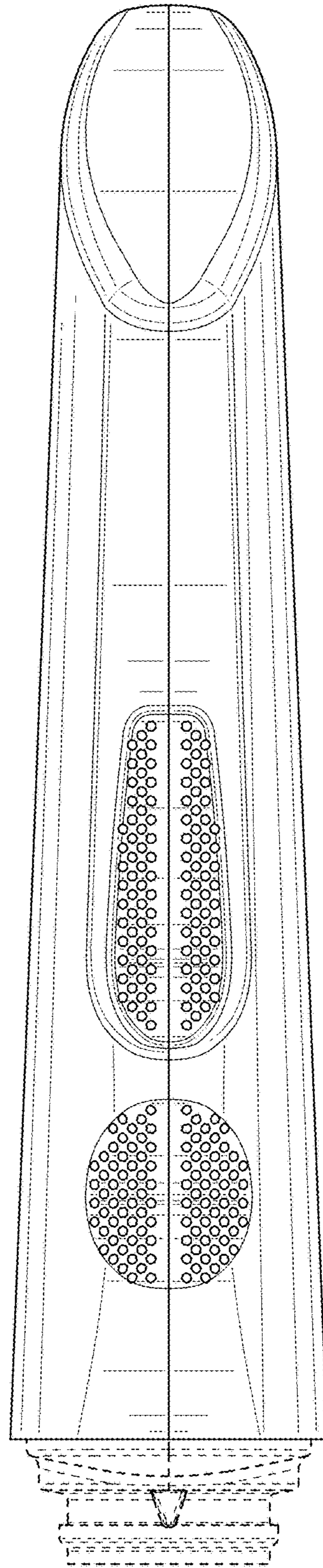


FIG. 15