



US00D792772S

(12) **United States Design Patent**
DiBiasio et al.

(10) **Patent No.:** **US D792,772 S**
(45) **Date of Patent:** **** Jul. 25, 2017**

- (54) **CONTAINER WITH SIDEWALL RECESS**
- (71) Applicant: **Silgan Plastics LLC**, Chesterfield, MO (US)
- (72) Inventors: **Sergio DiBiasio**, Etobicoke (CA); **Pietro Caruso**, Mono (CA)
- (73) Assignee: **Silgan Plastics LLC**, Chesterfield, MO (US)
- (**) Term: **15 Years**
- (21) Appl. No.: **29/553,546**
- (22) Filed: **Feb. 2, 2016**

Related U.S. Application Data

- (60) Division of application No. 29/507,461, filed on Oct. 28, 2014, now Pat. No. Des. 751,914, which is a (Continued)
- (51) **LOC (10) Cl.** **09-01**
- (52) **U.S. Cl.**
USPC **D9/516; D9/528**
- (58) **Field of Classification Search**
USPC D9/516, 523, 524, 526-528, 530, 531, D9/541, 559, 560, 564, 572, 738, D9/741-744; D23/211.1, 211.2; 215/381-385; 220/660, 669, 679, 752
CPC ... B65D 1/00; B65D 1/02; B65D 1/12; B65D 1/14; B65D 1/40; B65D 1/44; B65D 1/023; B65D 1/0223; B65D 1/165; B65D 1/238; B65D 1/246; B65D 1/253; B65D 7/04; B65D 21/0209; B65D 21/0233; B65D 25/00; B65D 25/28; B65D 41/0457; B65D 41/17; B65D 53/06; B65D 75/56; B65D 79/005; B65D 2501/0036; B65D

(Continued)

(56) **References Cited**

U.S. PATENT DOCUMENTS

- 3,168,984 A * 2/1965 Corning A47K 17/00 15/264
- D253,750 S 12/1979 Uyeda
(Continued)

OTHER PUBLICATIONS

2.5 Gal Vented F-Style with Co-Pack Pocket engineering drawing believed to be developed by B-Way, dated Oct. 11, 2009, 1 page.

Primary Examiner — Keli L Hill

(74) *Attorney, Agent, or Firm* — Reinhart Boerner Van Deuren s.c.

(57) **CLAIM**

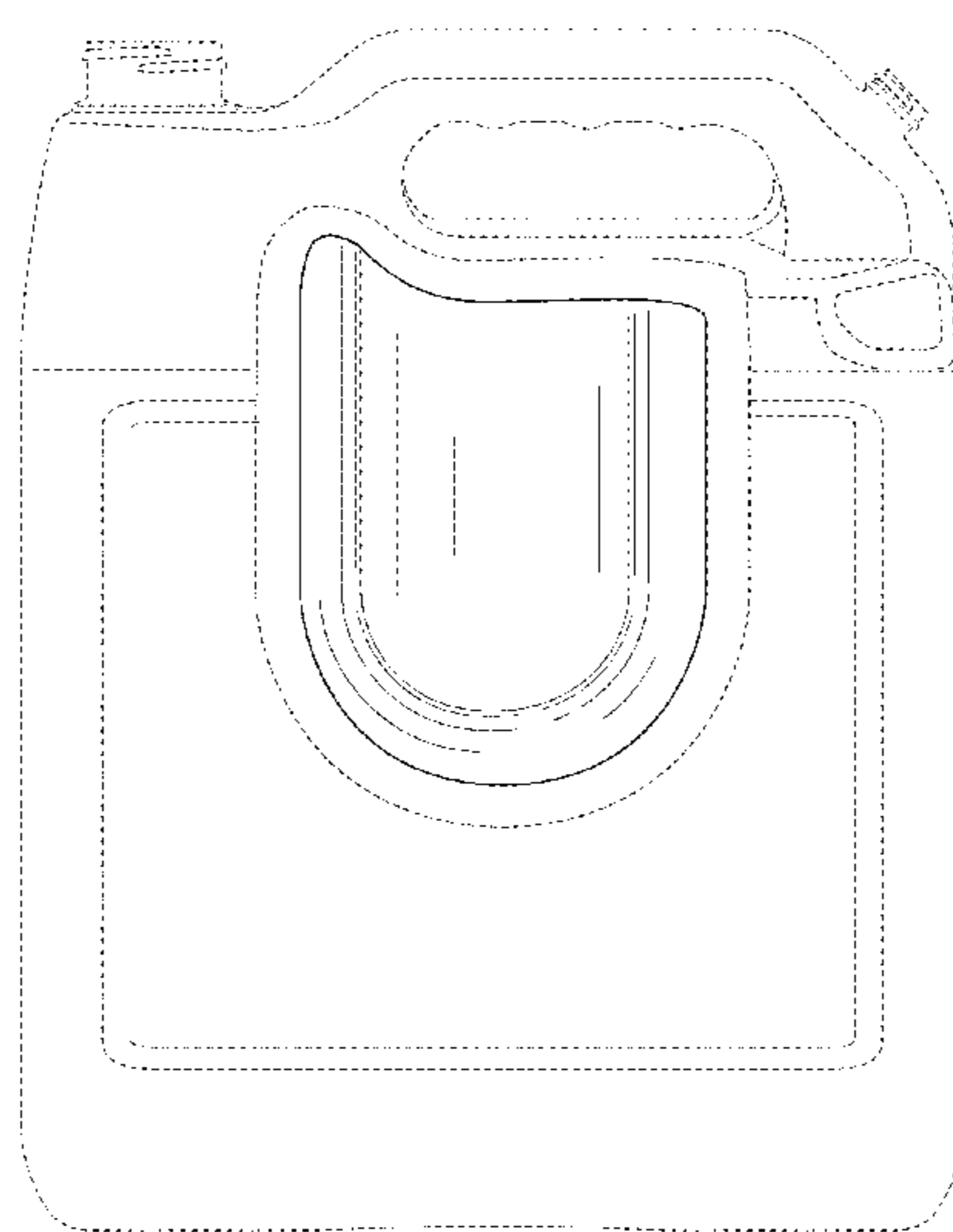
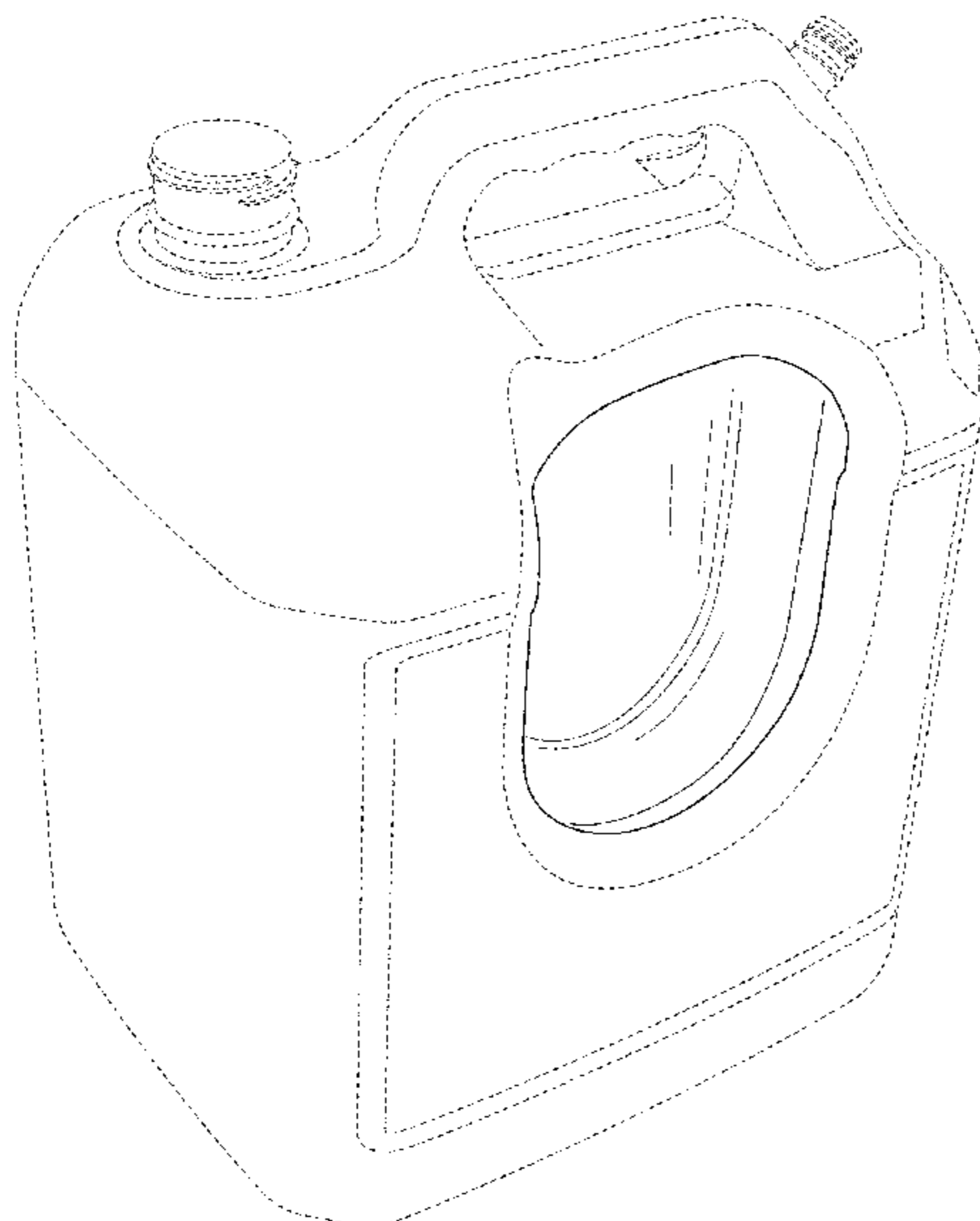
We claim the ornamental design for a container with sidewall recess, as shown and described.

DESCRIPTION

FIG. 1 is a top perspective view of the claimed design; FIG. 2 is a right side view of the claimed design of FIG. 1; FIG. 3 is a left side view of the claimed design of FIG. 1; FIG. 4 is a front view of the claimed design of FIG. 1; FIG. 5 is a rear view of the claimed design of FIG. 1; FIG. 6 is a top plan view of the claimed design of FIG. 1; FIG. 7 is a bottom plan view of the claimed design of FIG. 1; FIG. 8 is a top perspective view of the claimed design of FIG. 1, showing a fluid tube in broken lines coupled to the container; FIG. 9 is a bottom perspective view of the claimed design of FIG. 1; and, FIG. 10 is a second top perspective view of the claimed design of FIG. 1.

The broken lines are included for the purpose of illustrating unclaimed portions and environment of the container with sidewall recess; all broken lines form no part of the claimed design.

1 Claim, 10 Drawing Sheets



Related U.S. Application Data

continuation of application No. 29/472,156, filed on Nov. 8, 2013, now Pat. No. Des. 718,634, which is a division of application No. 29/445,372, filed on Feb. 11, 2013, now Pat. No. Des. 696,129, which is a division of application No. 29/423,766, filed on Jun. 5, 2012, now Pat. No. Des. 678,773, which is a division of application No. 29/390,642, filed on Apr. 27, 2011, now Pat. No. Des. 663,212.

(58) **Field of Classification Search**

CPC 2543/00064; B65D 2543/00074; B65D 2543/00083; B65D 2543/00092; B65D 2543/00101; B65D 2543/00111

See application file for complete search history.

(56) **References Cited**

U.S. PATENT DOCUMENTS

D363,019 S 10/1995 Arnold et al.
 D366,926 S * 2/1996 McGinnity D23/213
 D382,204 S 8/1997 Beaver

D386,240 S 11/1997 Howseman, Jr.
 D427,912 S 7/2000 Johnson et al.
 D451,397 S 12/2001 Gerhart et al.
 D500,680 S 1/2005 Angeletta
 D573,885 S 7/2008 Considine et al.
 D636,056 S 4/2011 Pritchard
 D643,292 S 8/2011 Cordero et al.
 D648,632 S 11/2011 Ferguson et al.
 D657,679 S 4/2012 Boiros
 D660,156 S 5/2012 Kopulos
 D662,825 S 7/2012 Murphy
 D663,211 S 7/2012 Cordero
 D663,212 S 7/2012 DiBiasio et al.
 D664,854 S 8/2012 Farris
 D668,546 S 10/2012 Maas et al.
 D670,355 S 11/2012 Zimmerman
 D678,773 S 3/2013 DiBiasio et al.
 D687,712 S 8/2013 Juna et al.
 D696,129 S 12/2013 DiBiasio et al.
 D696,746 S 12/2013 Mehra et al.
 D718,634 S 12/2014 DiBiasio
 D721,976 S * 2/2015 Cornelius D9/527
 D751,914 S * 3/2016 DiBiasio D9/516

* cited by examiner

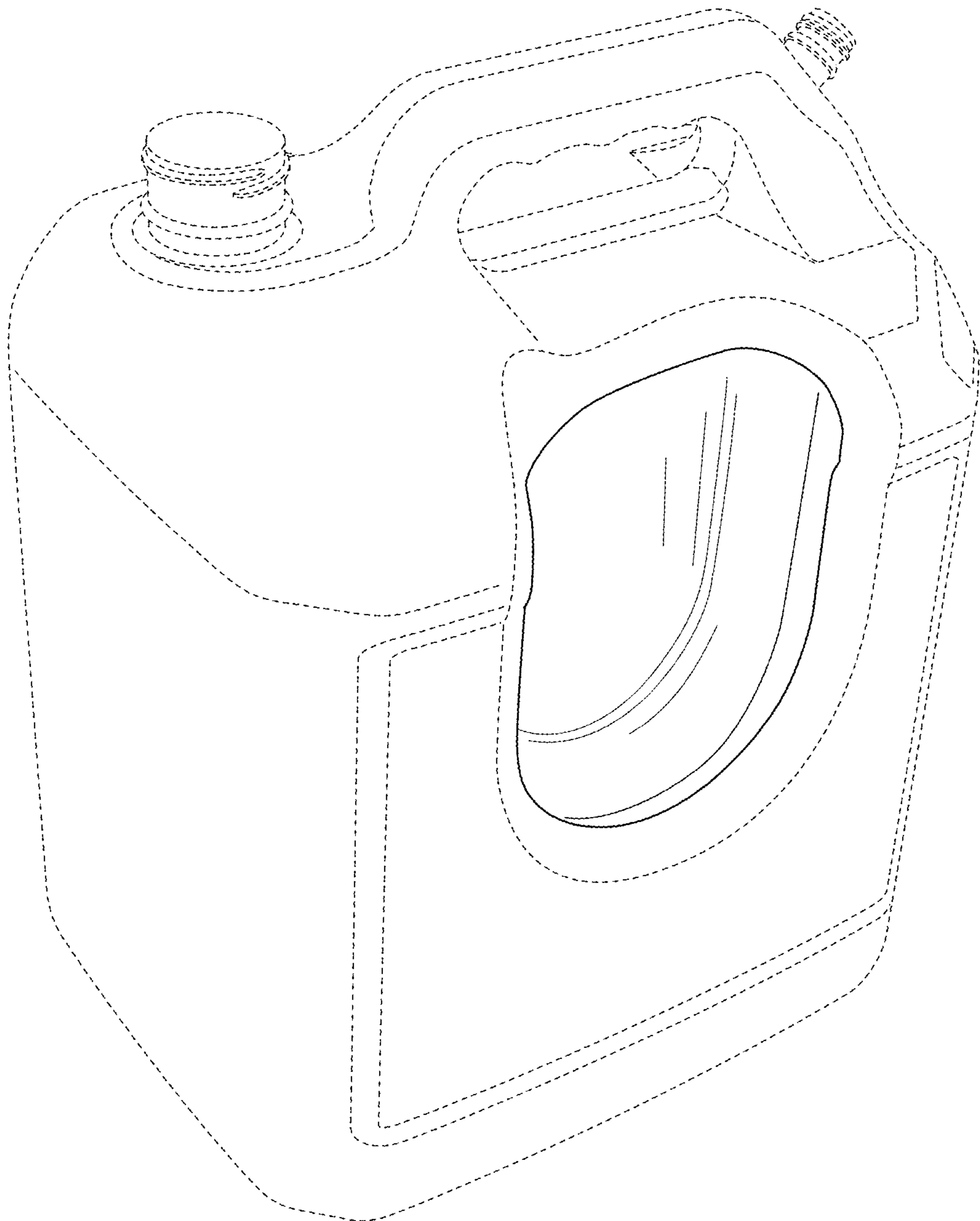


FIG. 1

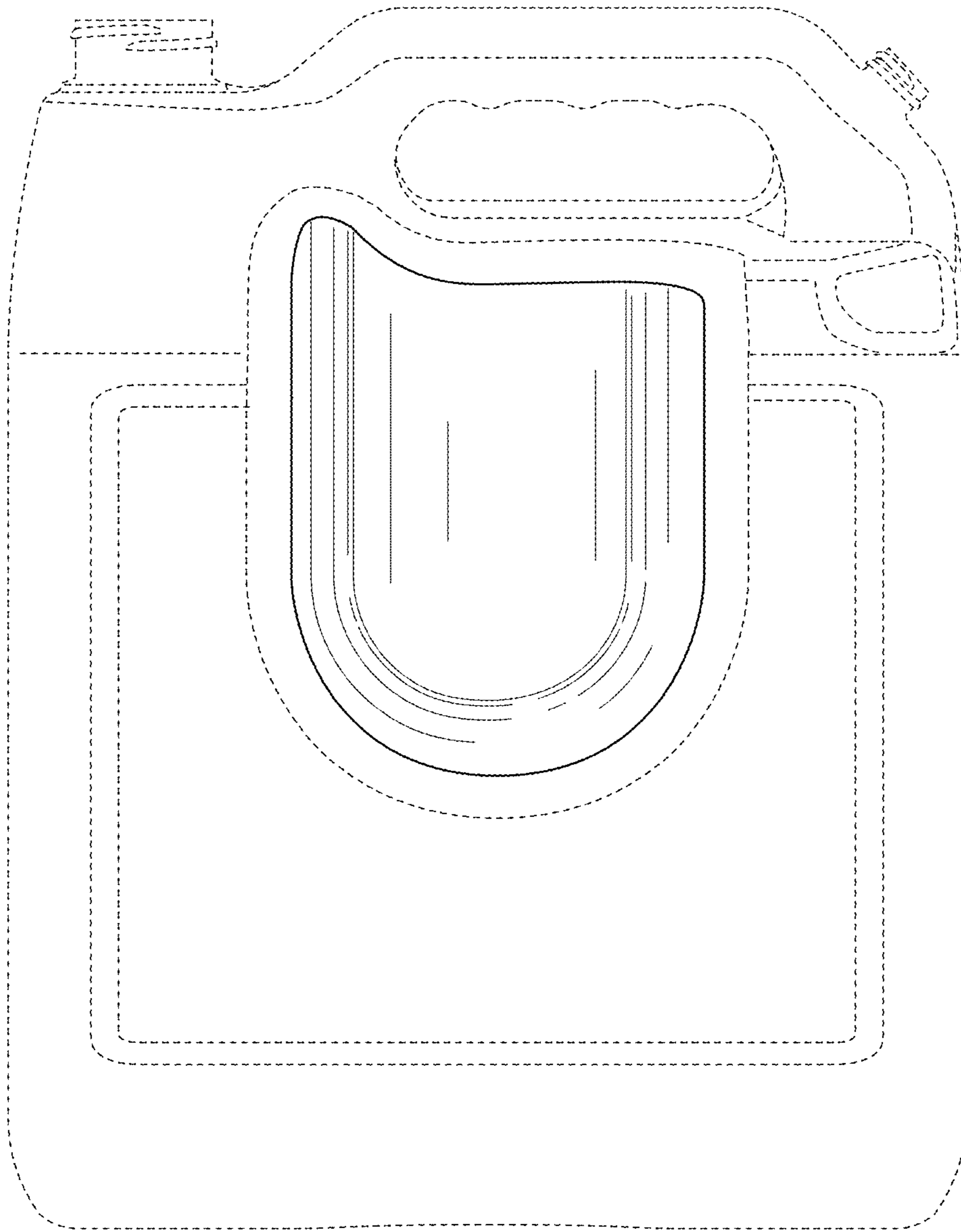


FIG. 2

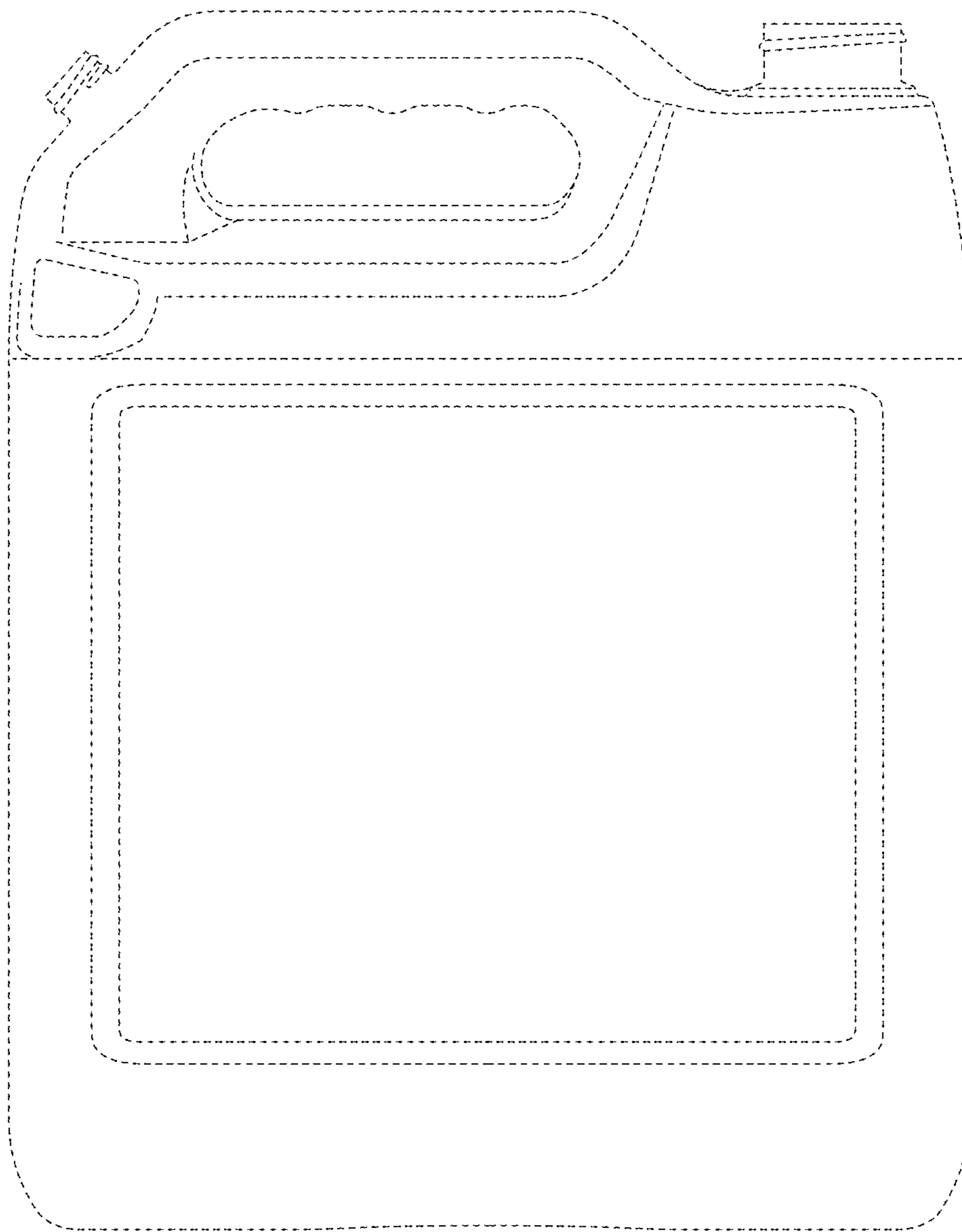


FIG. 3

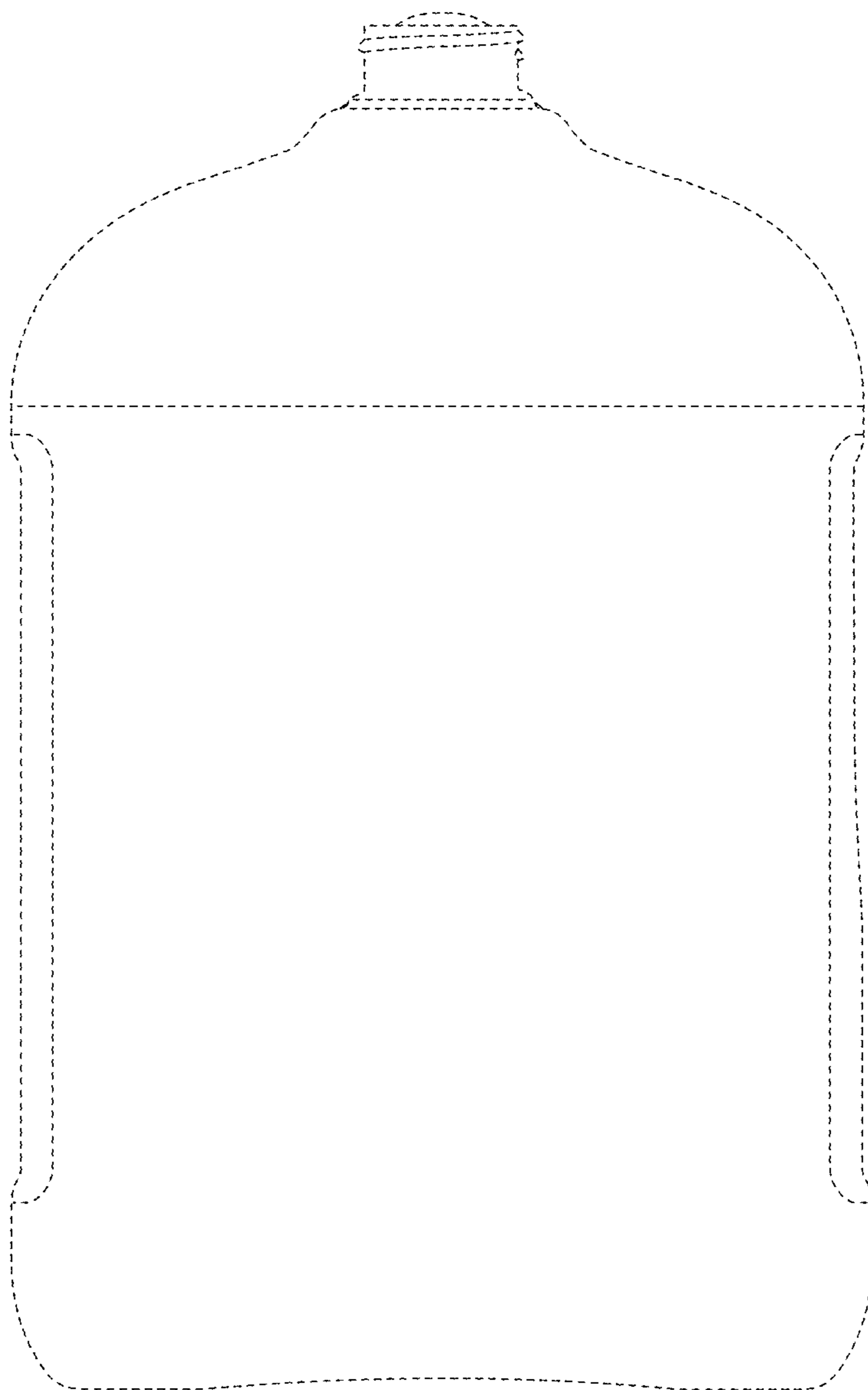


FIG. 4

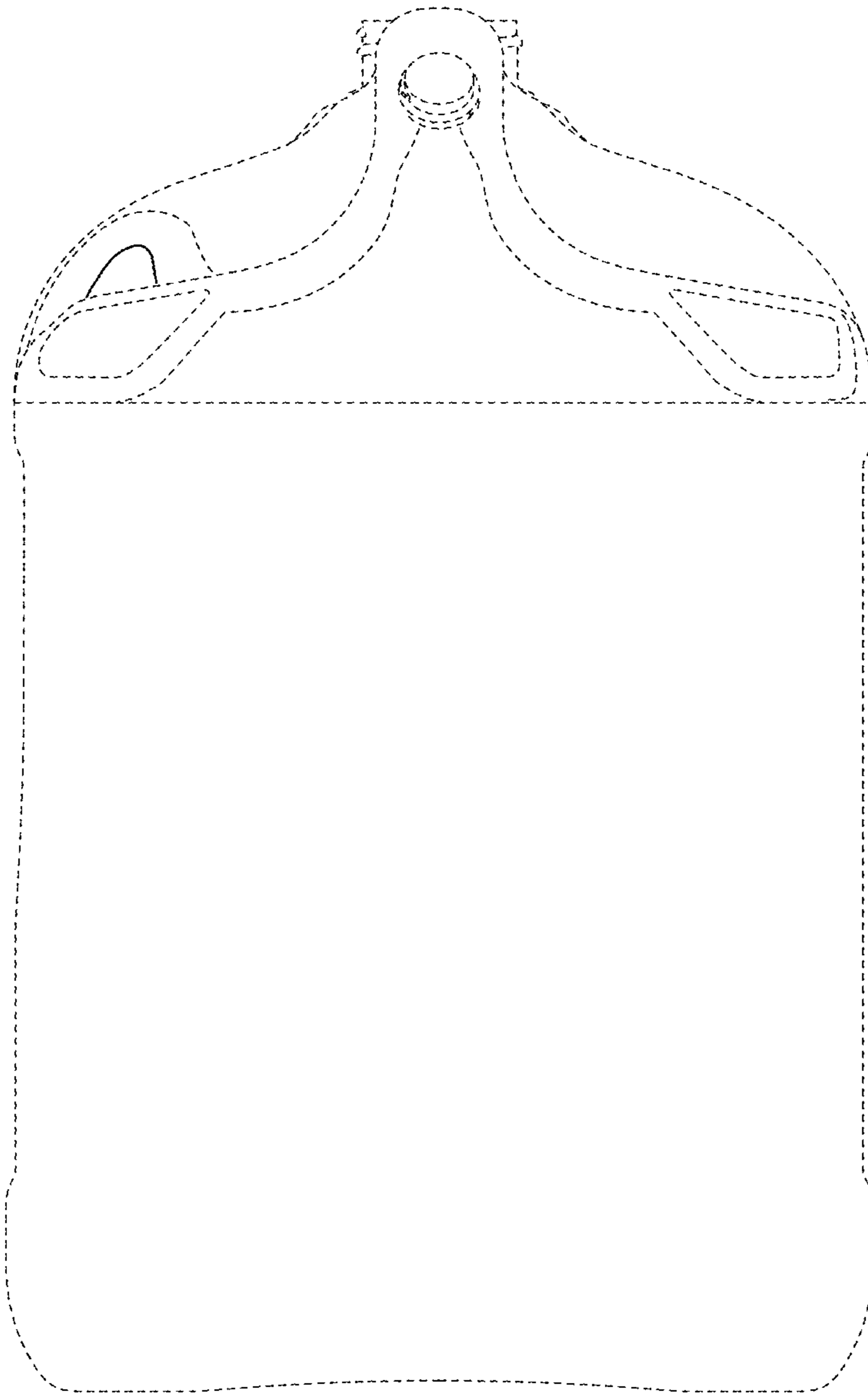


FIG. 5

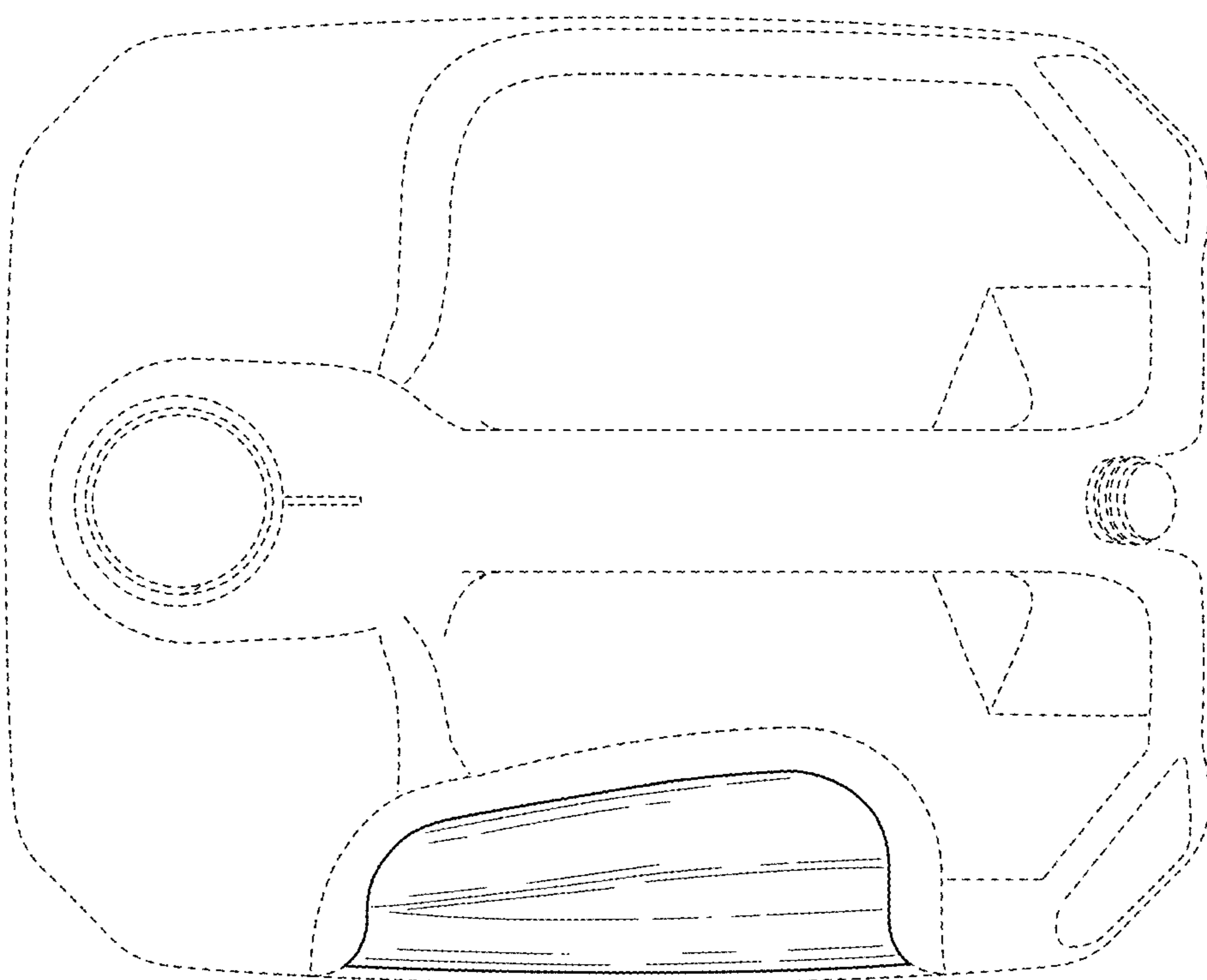


FIG. 6

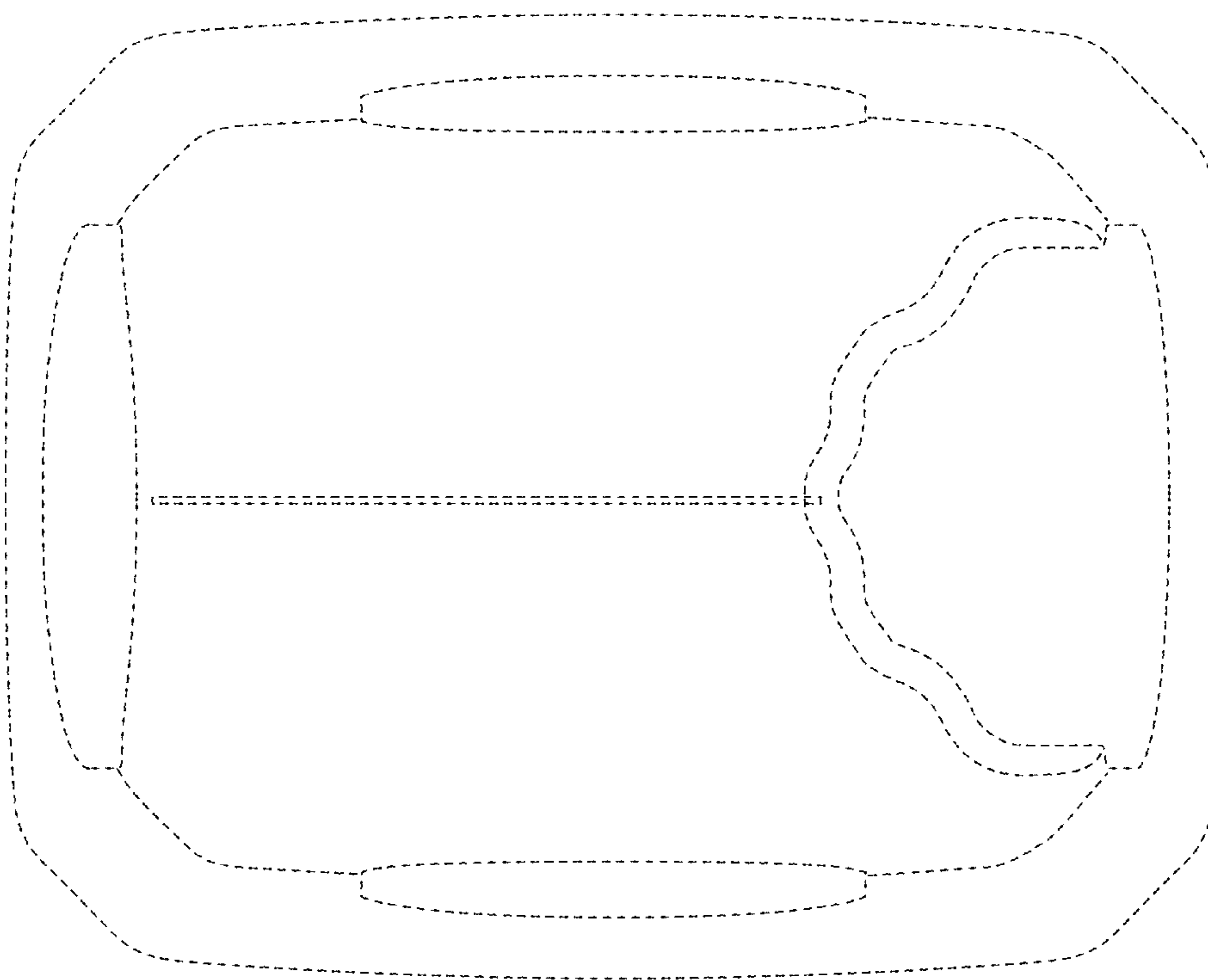


FIG. 7

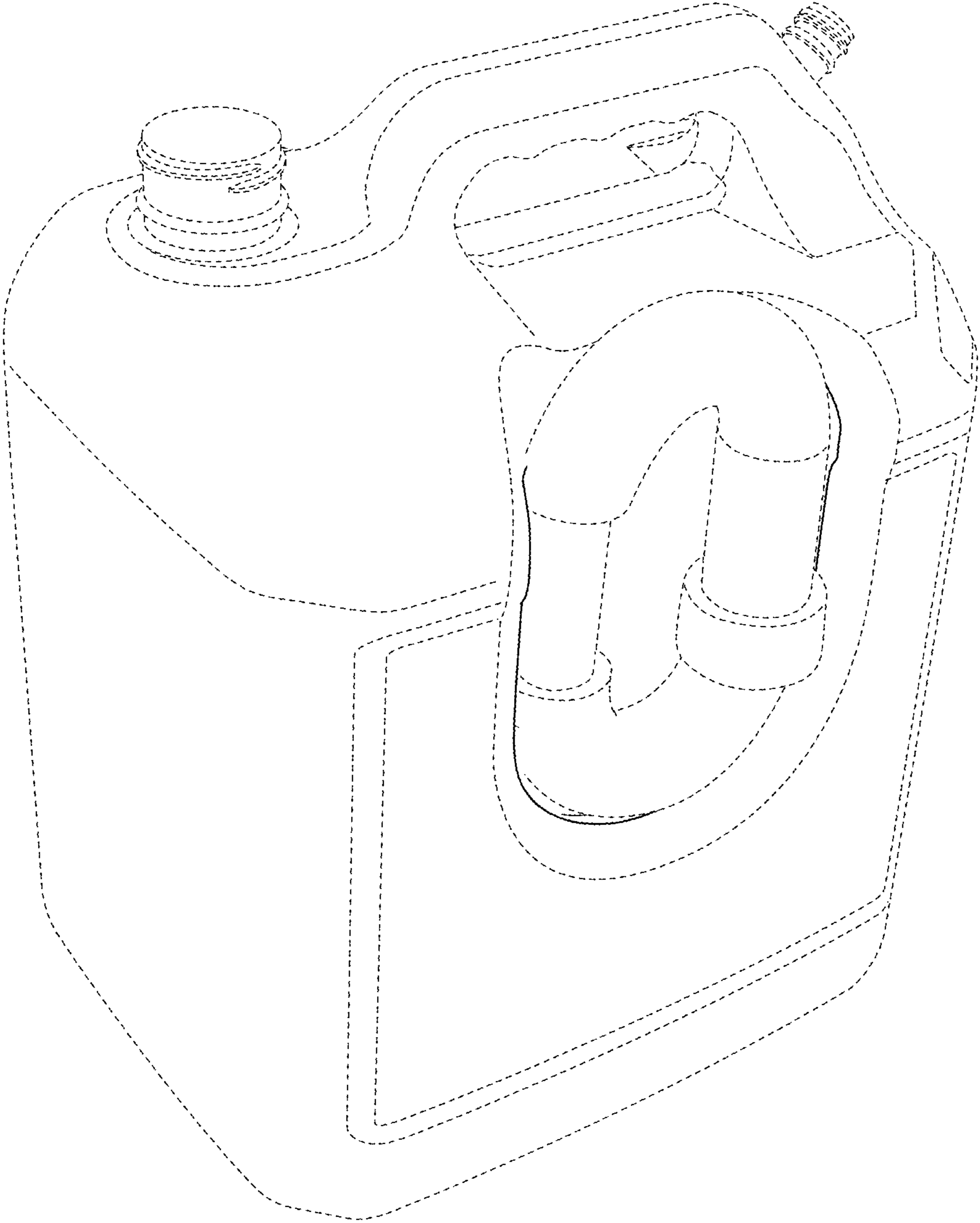


FIG. 8

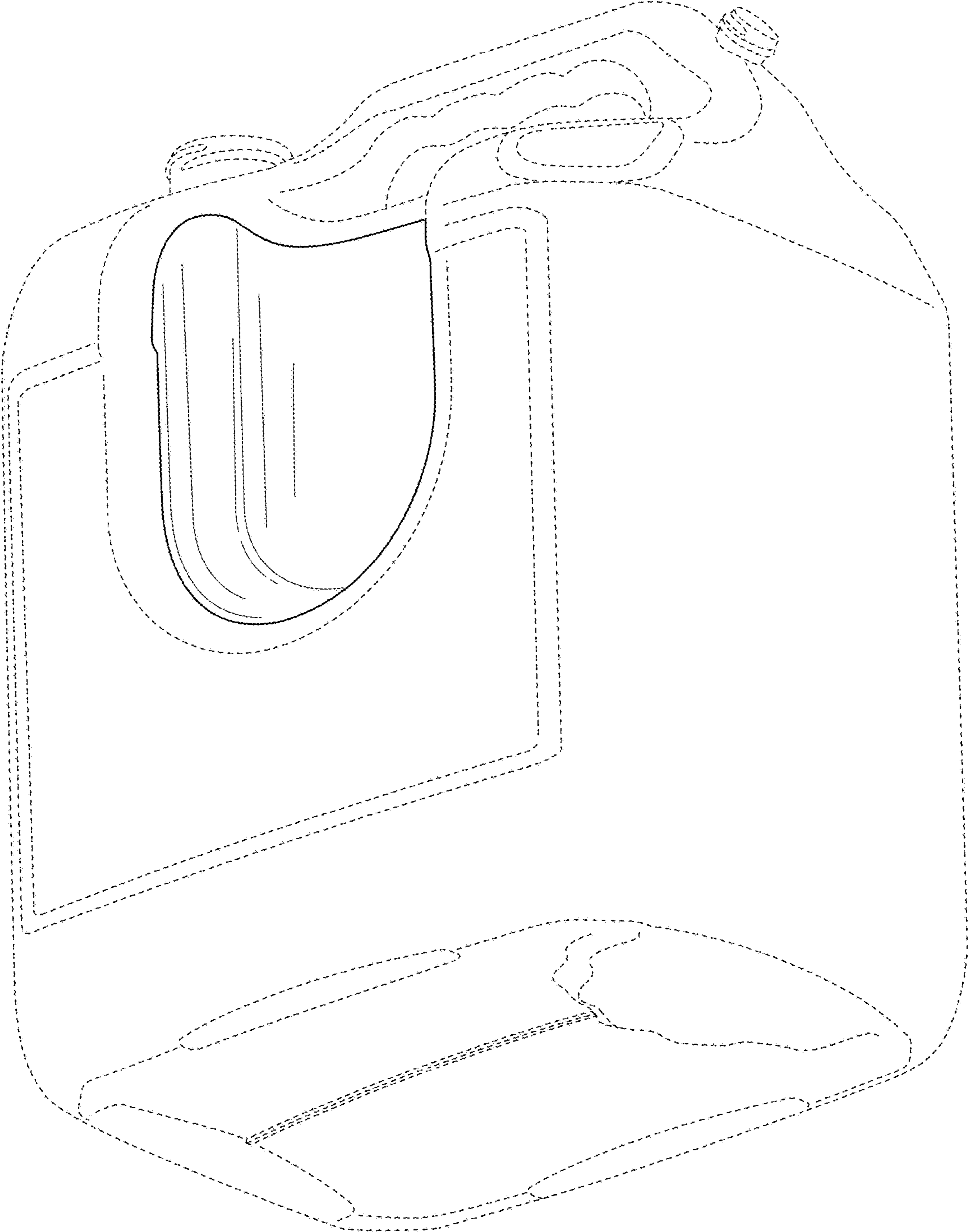


FIG. 9

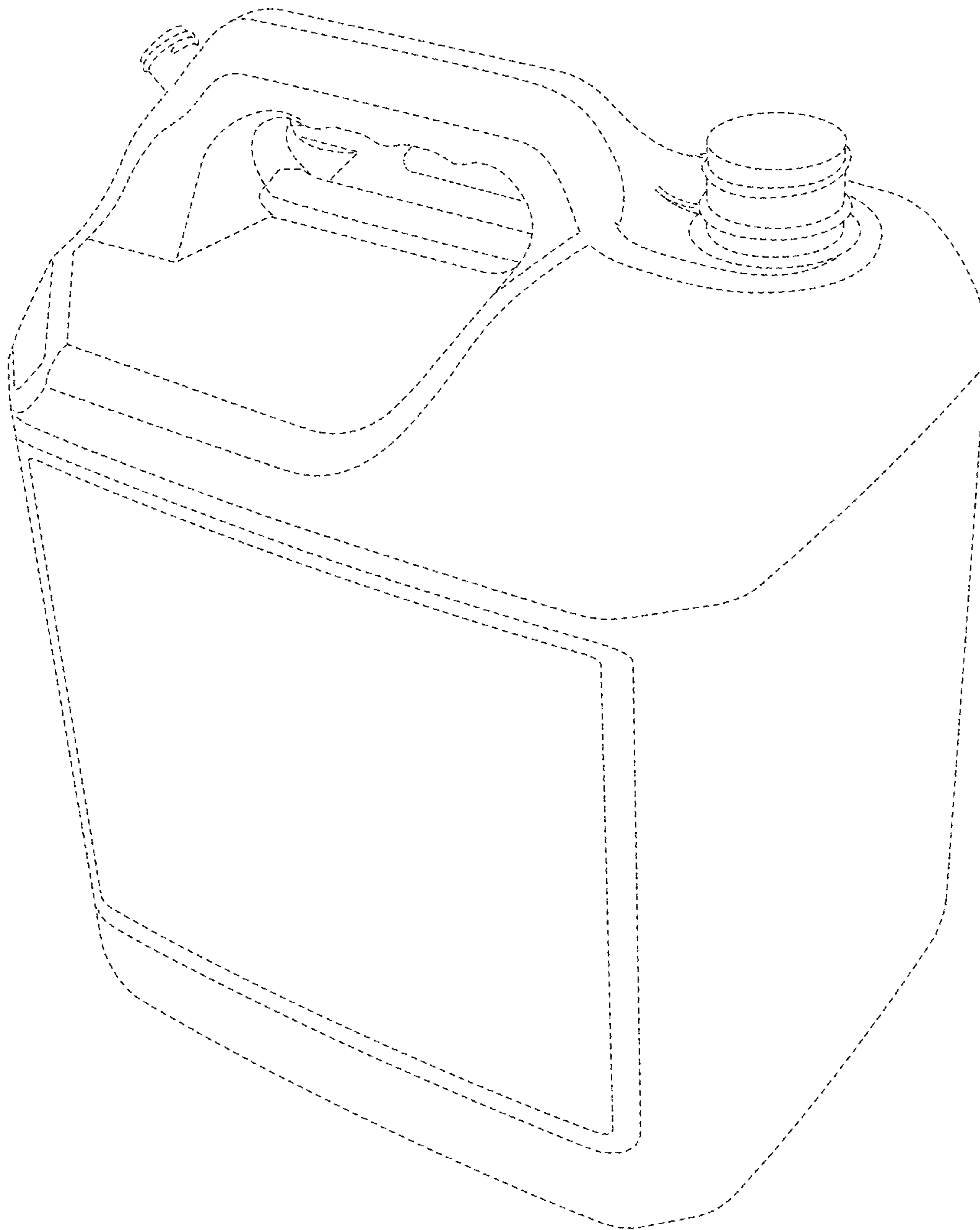


FIG. 10