



US00D792771S

(12) **United States Design Patent**
Yourist

(10) **Patent No.:** **US D792,771 S**

(45) **Date of Patent:** **** Jul. 25, 2017**

(54) **CONTAINER**

(71) Applicant: **GRAHAM PACKAGING COMPANY, L.P.**, York, PA (US)

(72) Inventor: **Sheldon E. Yourist**, York, PA (US)

(73) Assignee: **GRAHAM PACKAGING COMPANY, L.P.**, York, PA (US)

(**) Term: **15 Years**

(21) Appl. No.: **29/534,602**

(22) Filed: **Jul. 30, 2015**

(51) **LOC (10) Cl.** **09-01**

(52) **U.S. Cl.**
USPC **D9/516; D9/530**

(58) **Field of Classification Search**
USPC D9/516, 522, 530, 543, 549, 558, 564,
D9/565, 569, 572, 573; 215/206, 229,
215/381; 220/674, 710, 837; 222/182,
222/209, 252; 426/115

CPC A61J 1/05; B65D 1/02; B65D 1/0223;
B65D 1/08; B65D 1/10; A47G 19/22;
A47G 19/2205; A47G 19/2266

See application file for complete search history.

(56) **References Cited**

U.S. PATENT DOCUMENTS

D316,968 S * 5/1991 York D9/434
5,758,790 A * 6/1998 Ewing, Jr. B65D 23/102
215/384
D420,592 S * 2/2000 Bretz D9/520
D423,935 S * 5/2000 Frazer D9/520
6,575,321 B2 * 6/2003 Bourque B65D 1/0223
215/365

D525,527 S * 7/2006 Ogg D9/516
D576,493 S * 9/2008 Coley, Jr. D9/516
D623,952 S * 9/2010 Yourist D9/516
D637,494 S * 5/2011 Coley, Jr. D9/516
8,083,081 B2 * 12/2011 Coley, Jr. B65D 1/023
215/381
D676,329 S * 2/2013 Yourist D9/541

OTHER PUBLICATIONS

Welch's Farmers Pick Juice, announced May 2014, [online], site visited Nov. 12, 2016. Available from Internet, <URL: <http://www.shescribes.com>>.*

U.S. Appl. No. 29/534,605, filed Jul. 30, 2015 (Sheldon E. Yourist).
U.S. Appl. No. 29/534,605, Nov. 30, 2016 Non-Final Office Action.

* cited by examiner

Primary Examiner — Ian Simmons

Assistant Examiner — Janice Lim

(74) *Attorney, Agent, or Firm* — Baker Botts L.L.P.

(57) **CLAIM**

The ornamental design for a container, as shown and described.

DESCRIPTION

FIG. 1 is a perspective view of a container, showing my new design.

FIG. 2 is a front view of the container of FIG. 1.

FIG. 3 is a rear view of the container of FIG. 1.

FIG. 4 is a left side view of the container of FIG. 1.

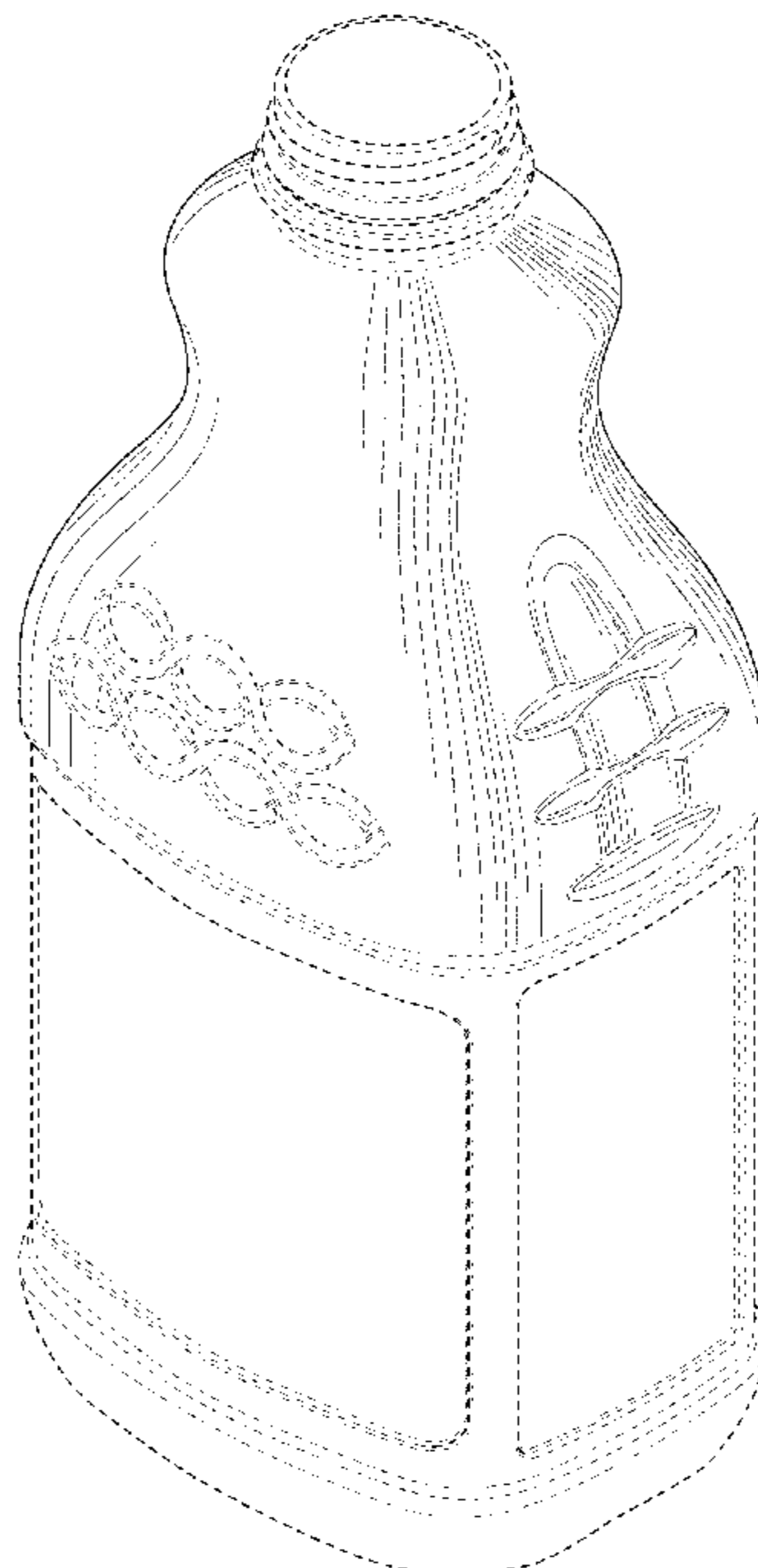
FIG. 5 is a right side view of the container of FIG. 1.

FIG. 6 is a top plan view of the container of FIG. 1; and,

FIG. 7 is a bottom plan view of the container of FIG. 1.

The broken line portions are included to show unclaimed subject matter only and form no part of the claimed design.

1 Claim, 6 Drawing Sheets



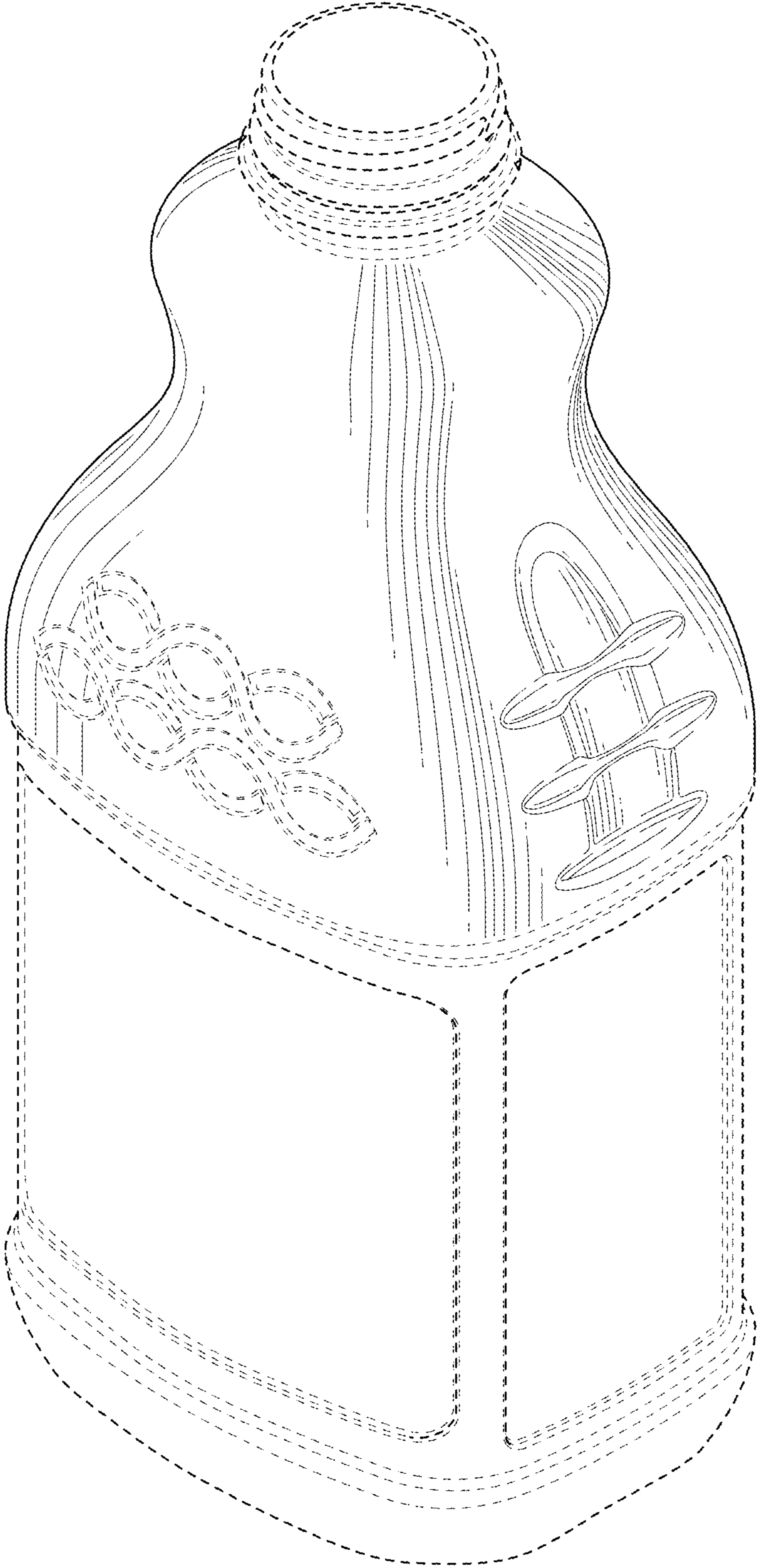


FIG. 1



FIG. 2

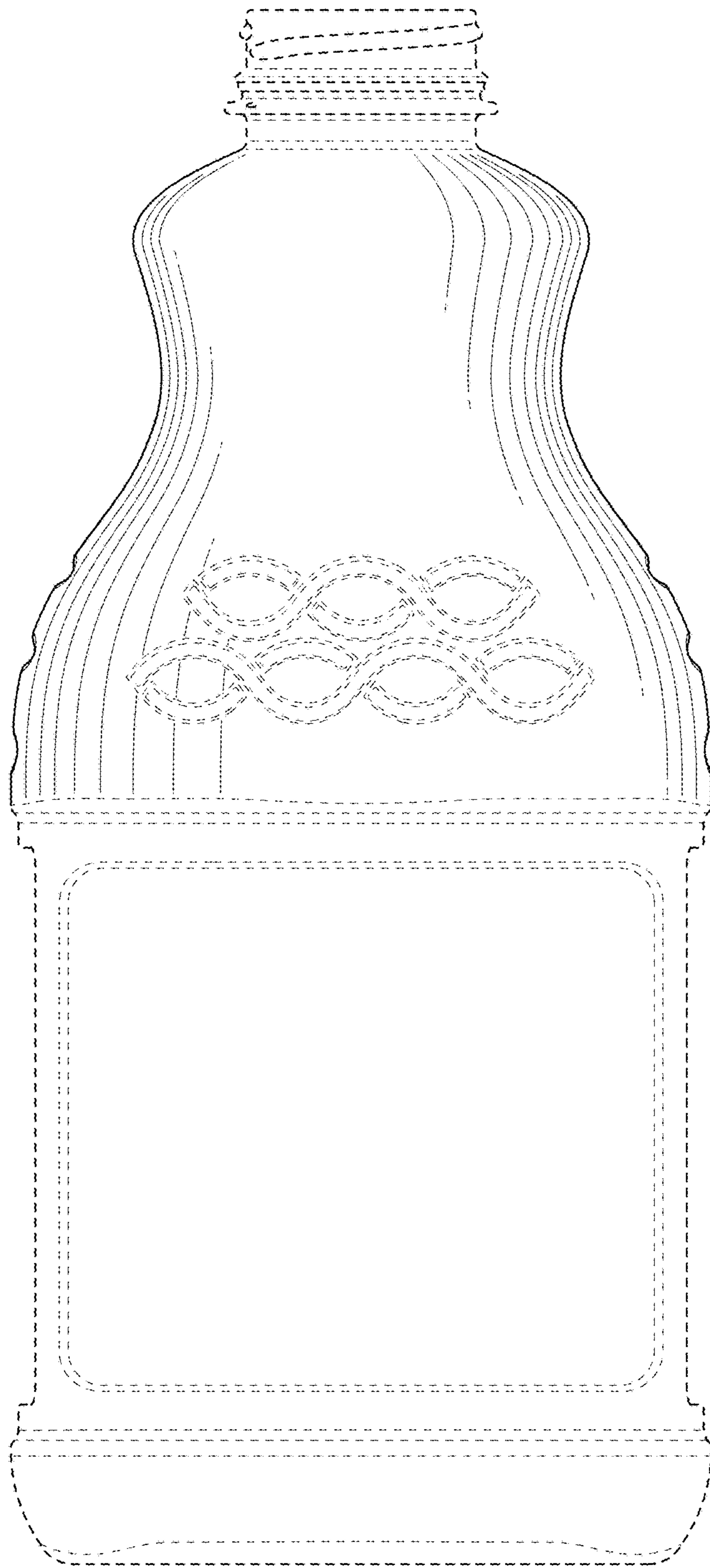


FIG. 3

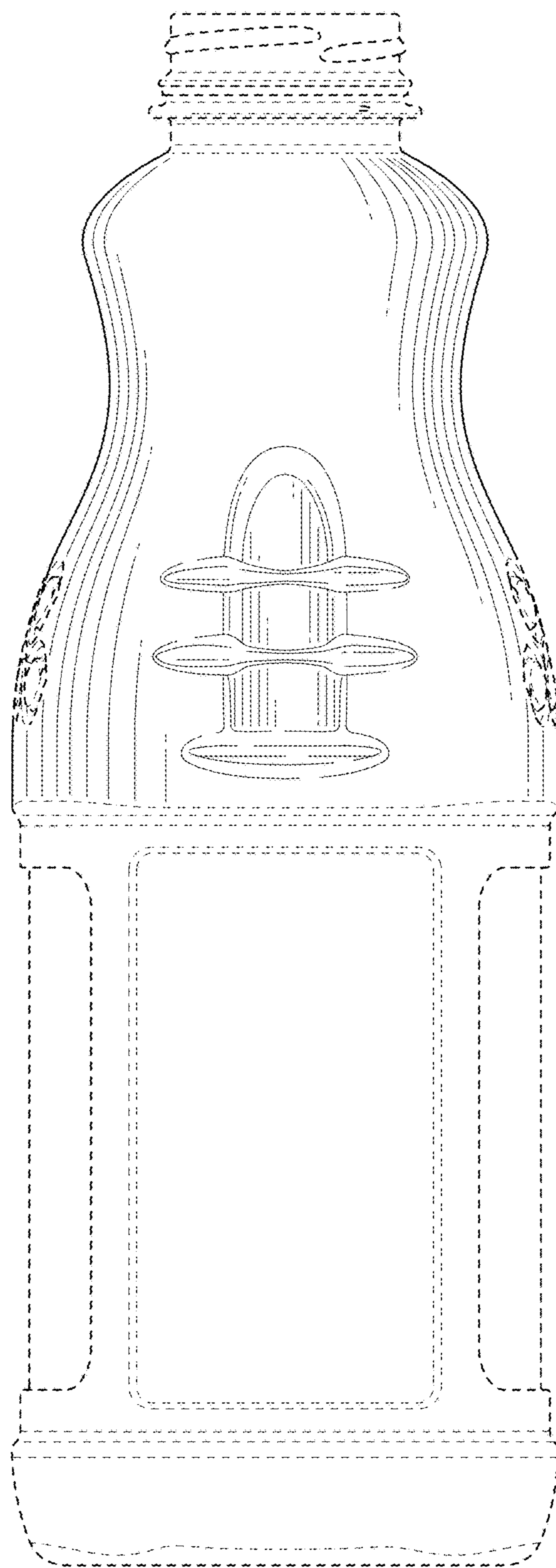


FIG. 4

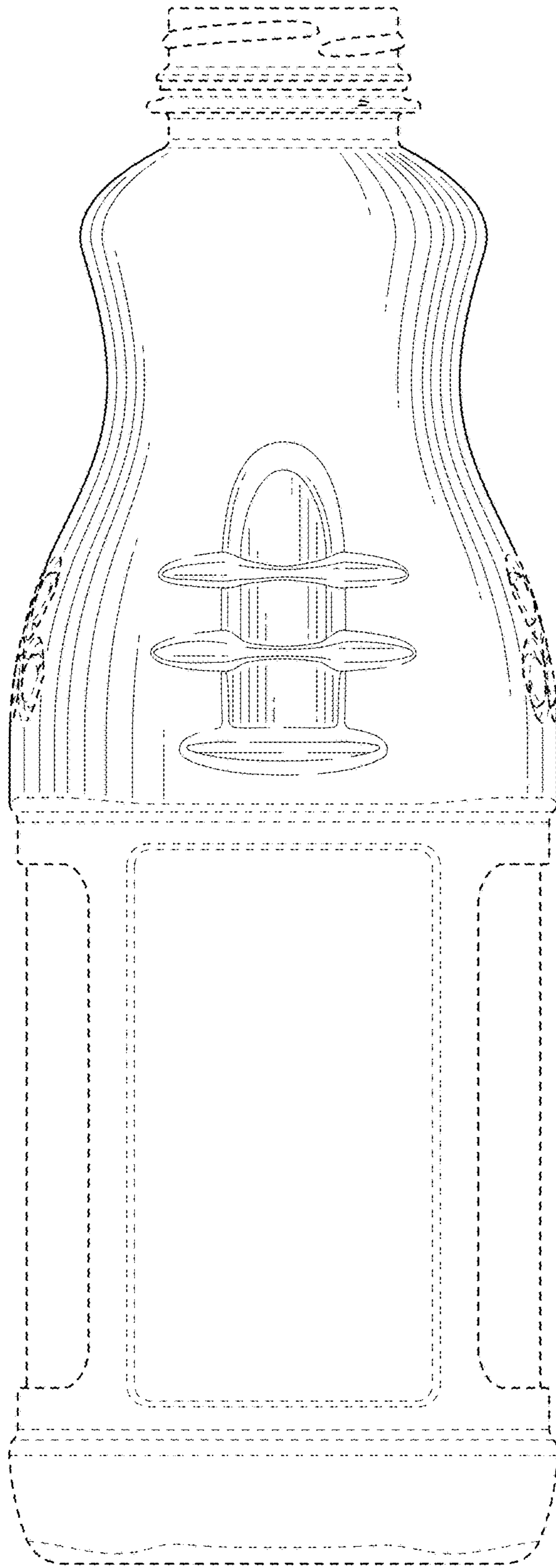


FIG. 5

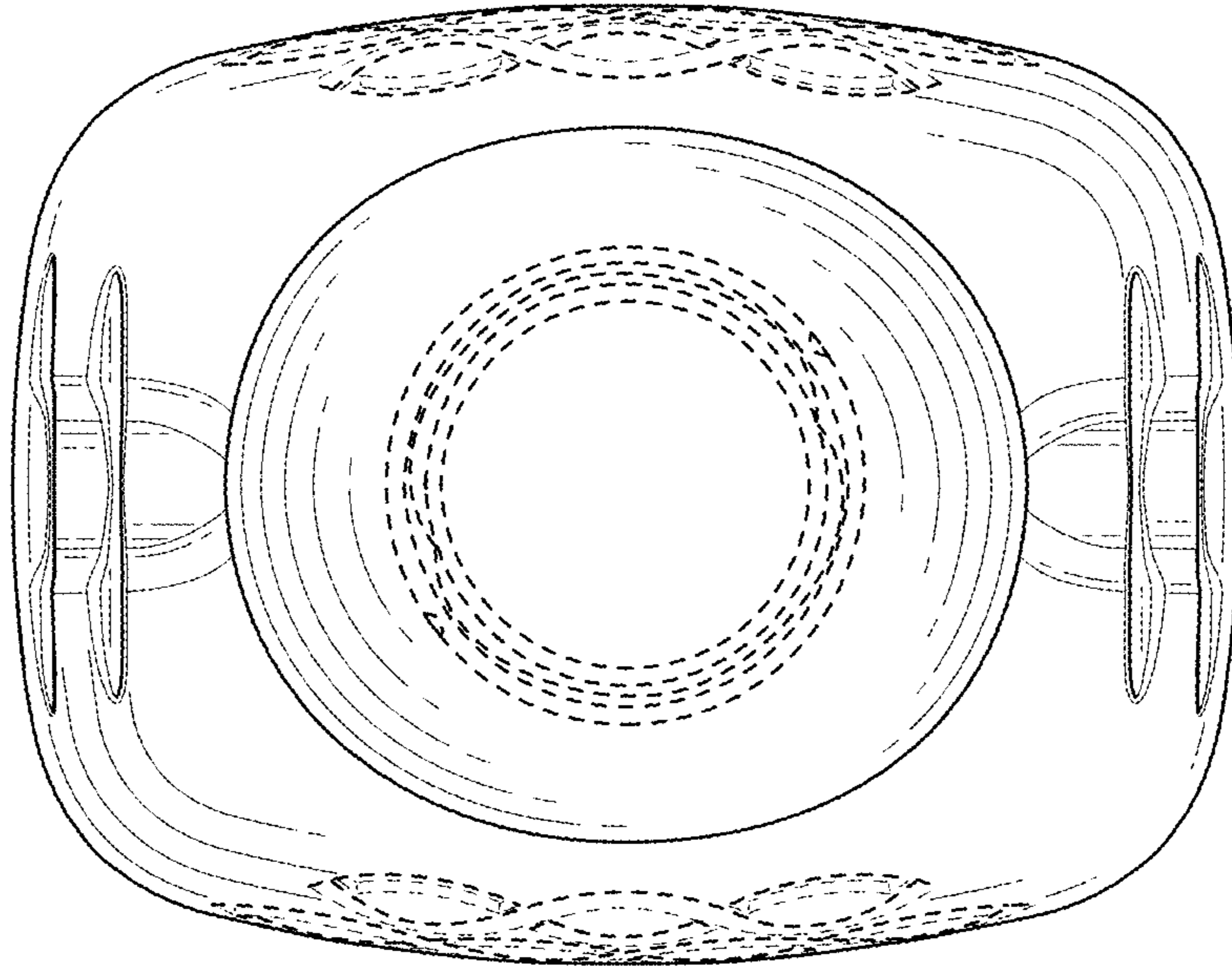


FIG. 6

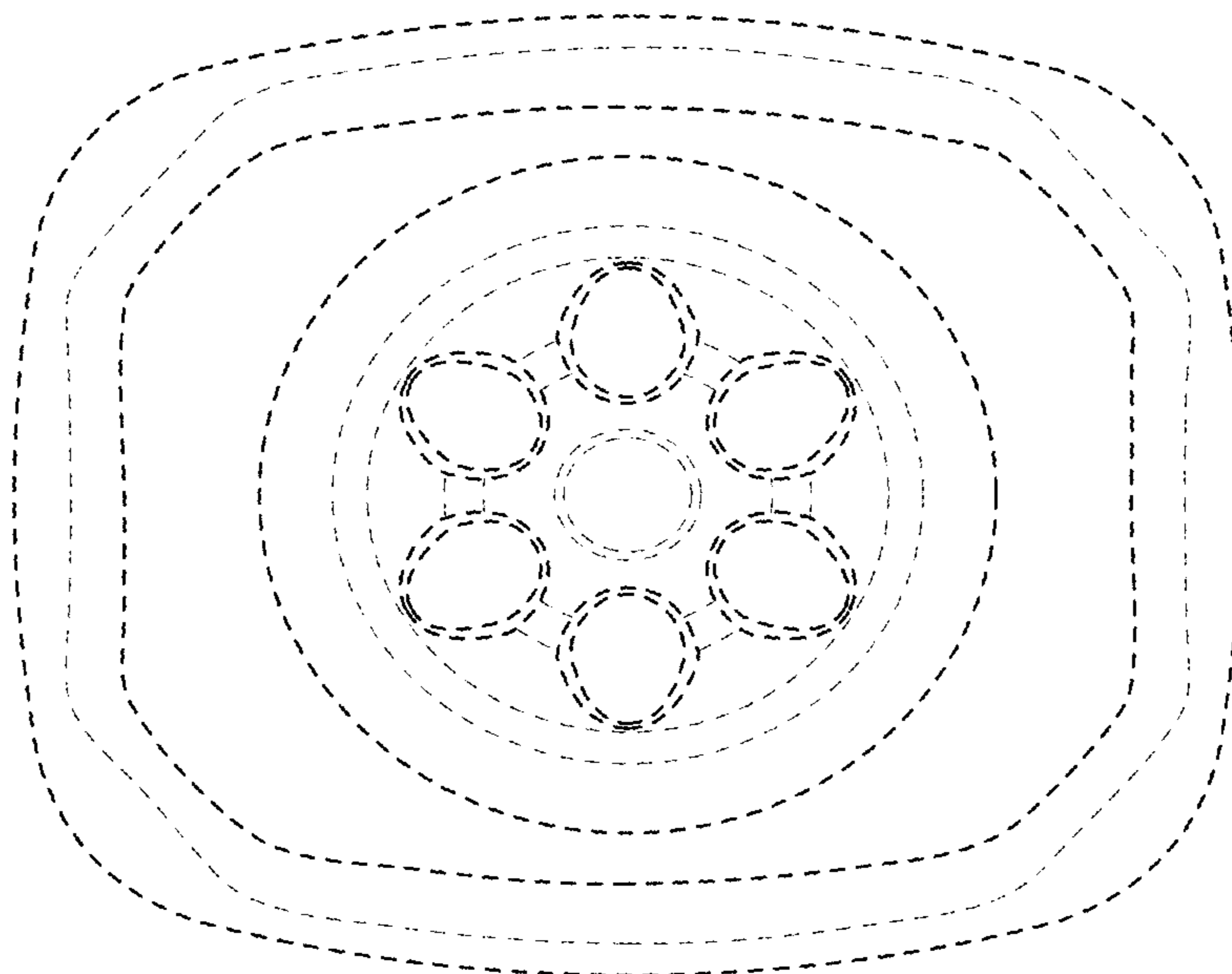


FIG. 7