



US00D792767S

(12) **United States Design Patent** (10) **Patent No.:** **US D792,767 S**
Dalton (45) **Date of Patent:** **** Jul. 25, 2017**

(54) **PERFUME BOTTLE CAP**

(56) **References Cited**

(71) Applicant: **The Procter & Gamble Company,**
Cincinnati, OH (US)

U.S. PATENT DOCUMENTS

(72) Inventor: **Suzanne Dalton,** Paris (FR)

D104,384 S *	5/1937	Sudbeaz	D9/663
D109,009 S *	3/1938	Dolan	D9/661
D128,934 S *	8/1941	Derham	D9/451
D146,497 S *	3/1947	Derham	D9/451
D337,264 S	7/1993	Paglina	
D338,157 S	8/1993	Desgrippes	
D352,906 S	11/1994	Gobe	
D353,773 S	12/1994	Desgrippes	
D379,430 S	5/1997	Siripreedabhakd	
D390,105 S	2/1998	Lalique	
D412,276 S	7/1999	Arslanian	
D463,269 S	9/2002	Gatti	

(73) Assignee: **Dolce & Gabbana,** Milan (IT)

(*) Notice: This patent is subject to a terminal disclaimer.

(**) Term: **15 Years**

(Continued)

(21) Appl. No.: **29/538,001**

Primary Examiner — Sandra Morris

(22) Filed: **Aug. 31, 2015**

(74) *Attorney, Agent, or Firm* — Jacobson Holman, PLLC

Related U.S. Application Data

(57) **CLAIM**

(63) Continuation of application No. 29/487,221, filed on Apr. 7, 2014, now abandoned.

The ornamental design for a perfume bottle cap, as shown and described.

Foreign Application Priority Data

DESCRIPTION

Oct. 7, 2013 (WO) 33237

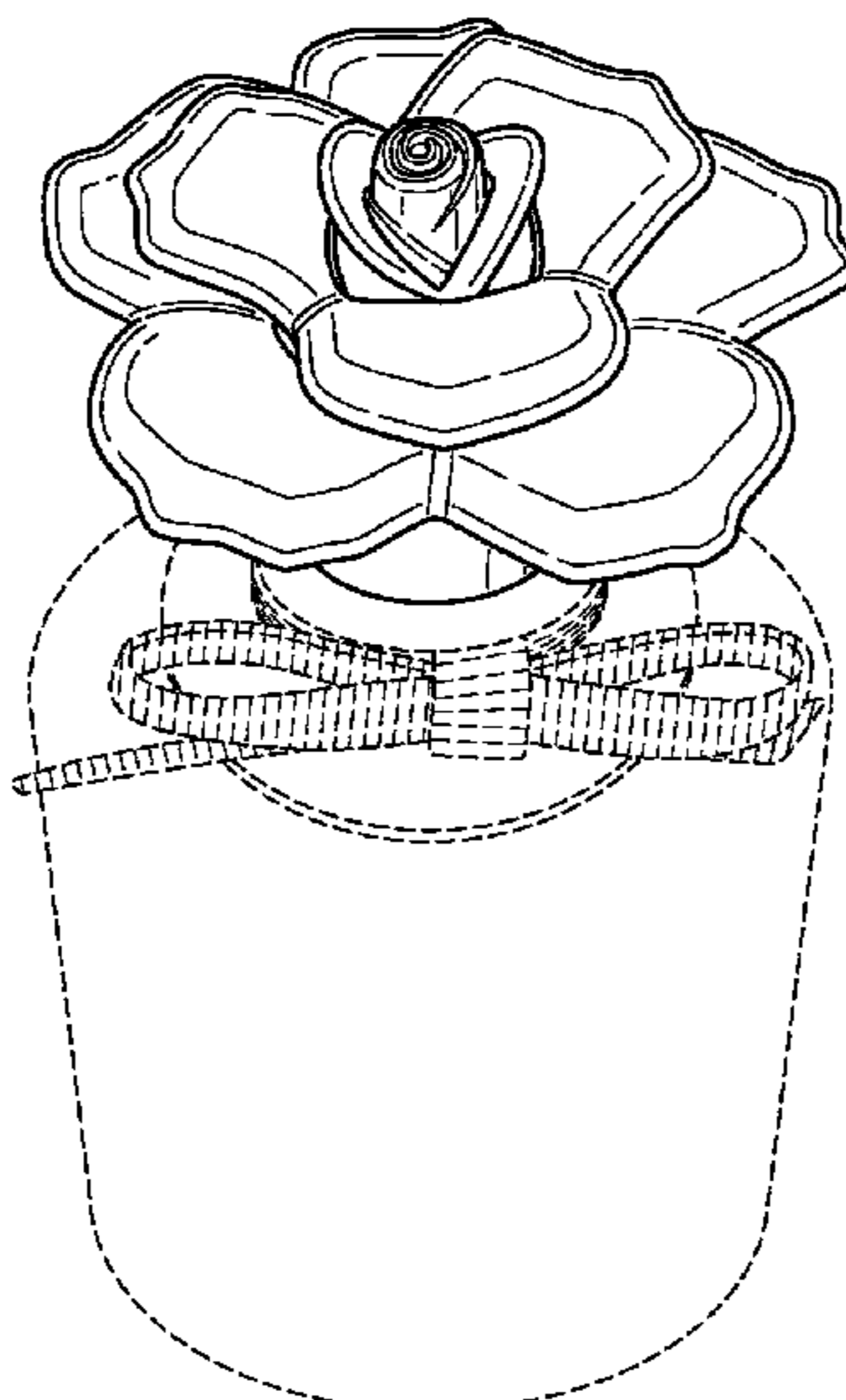
(51) **LOC (10) Cl.** **09-07**

(52) **U.S. Cl.**
USPC **D9/451**

(58) **Field of Classification Search**
USPC D9/600, 655-664, 434-454; 206/457, 206/494, 459.5, 527, 540, 890; 229/116.1; 446/77; 215/381-384, 400; D7/514-516, 539, 544, 571, 579, 604, D7/613, 619.2, 628-630, 391-392.1
CPC B65D 67/00; B65D 81/36; B65D 81/60; B65D 81/368; B65D 2203/00; B65D 2203/02; B65D 51/245; B65D 81/365; B65D 81/366; A63H 33/16
See application file for complete search history.

FIG. 1 is a perspective view of a perfume bottle cap embodying our new design;
FIG. 2 is a front view thereof;
FIG. 3 is a rear view thereof;
FIG. 4 is right side view thereof;
FIG. 5 is a left side view thereof;
FIG. 6 is a top view thereof;
FIG. 7 is a bottom view thereof;
FIG. 8 is a perspective view of a second embodiment of a perfume bottle cap embodying our new design;
FIG. 9 is a front view thereof;
FIG. 10 is a rear view thereof;
FIG. 11 is right side view thereof;
FIG. 12 is a left side view thereof;
FIG. 13 is a top view thereof; and,
FIG. 14 is a bottom view thereof.
Broken lines are included herein for illustrative purposes only and form no part of the claimed design.

1 Claim, 9 Drawing Sheets



(56)

References Cited

U.S. PATENT DOCUMENTS

D494,855 S	8/2004	McElligott
D534,427 S	1/2007	Crawford
D535,879 S	1/2007	Crawford
D546,684 S	7/2007	Crawford
D598,284 S	8/2009	Floyd
D682,694 S	5/2013	Van den Hoonaard
D683,222 S	5/2013	McGregor

* cited by examiner

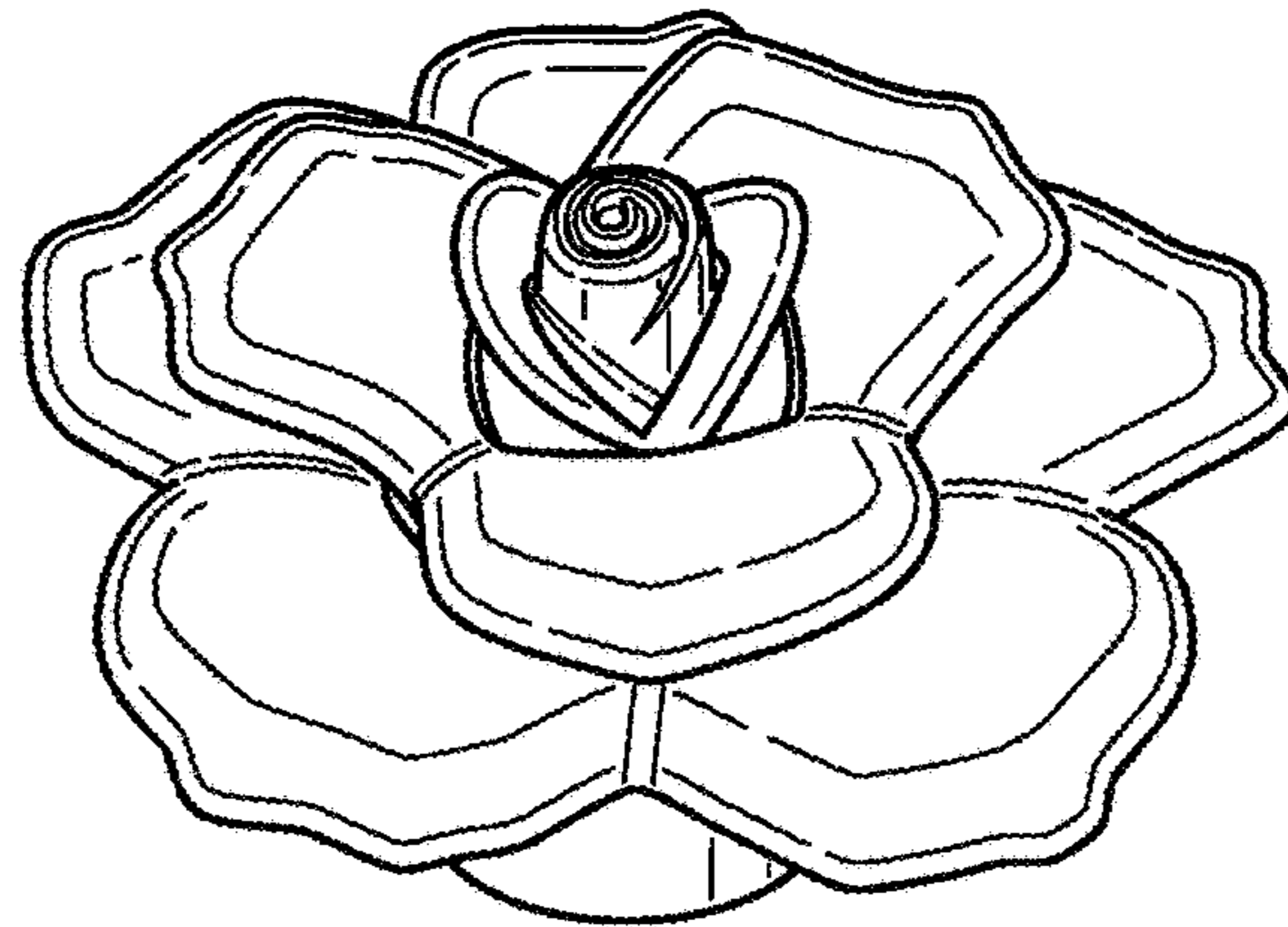


Fig. 1

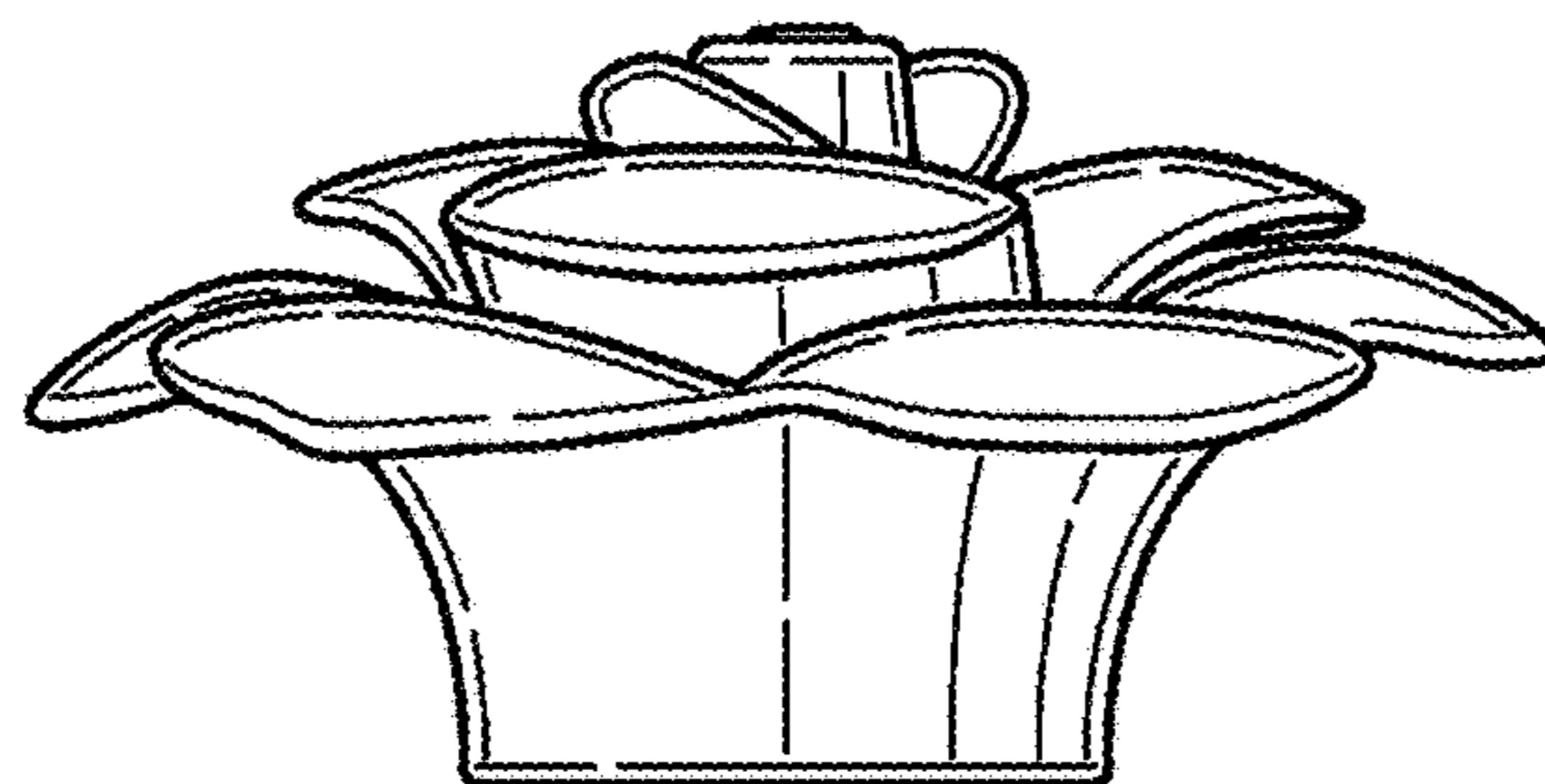


Fig. 2

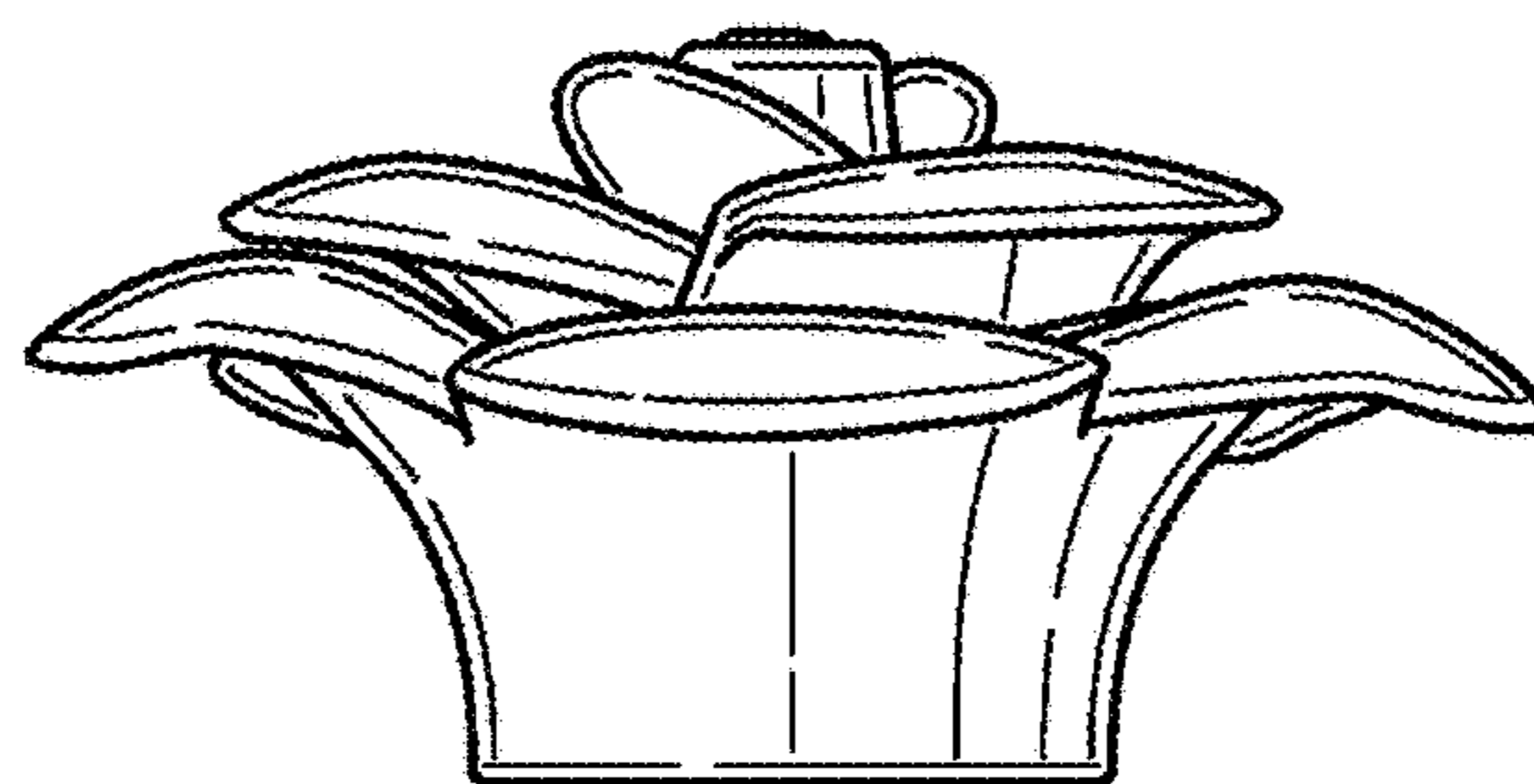


Fig. 3

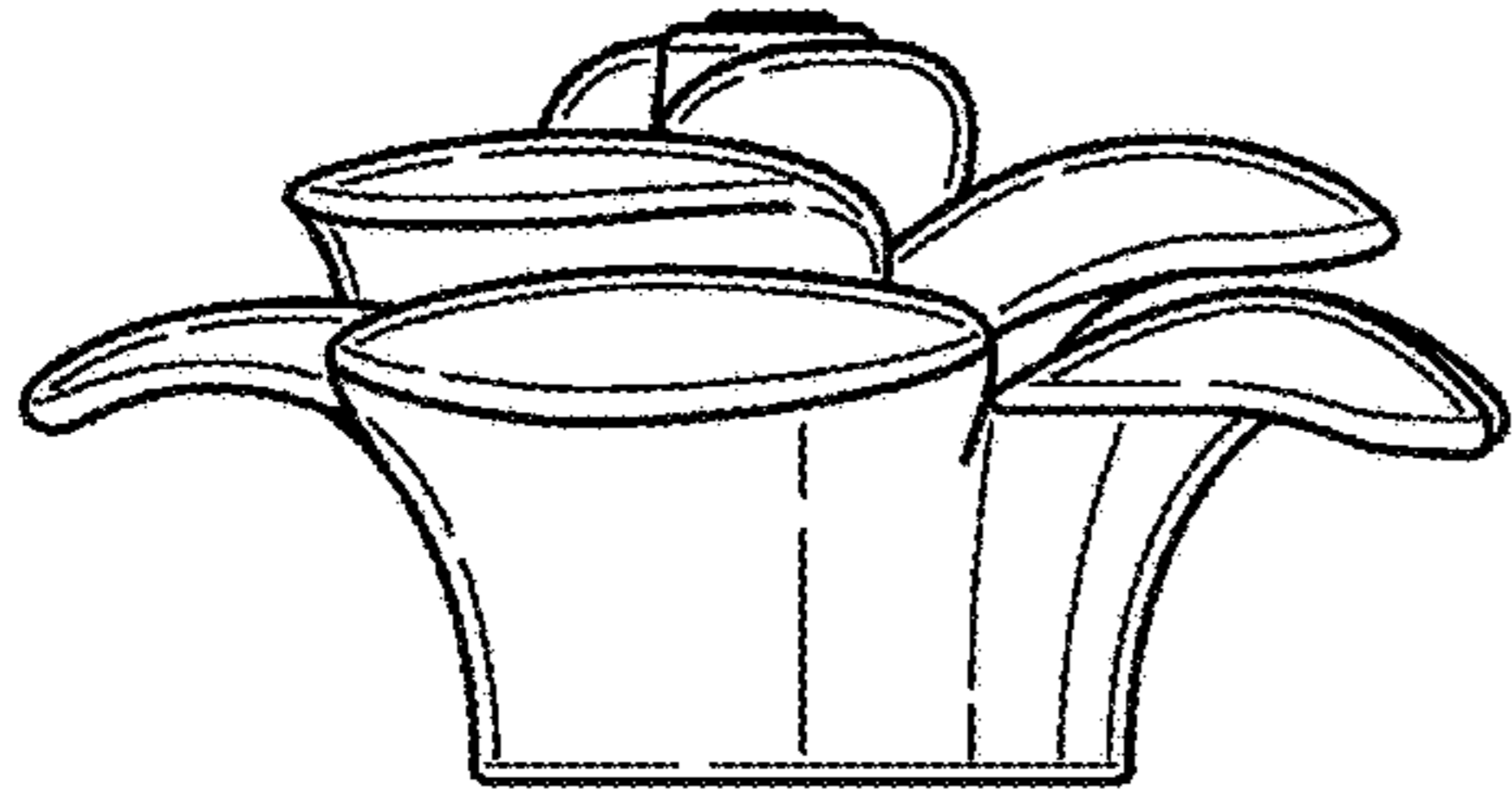


Fig. 4

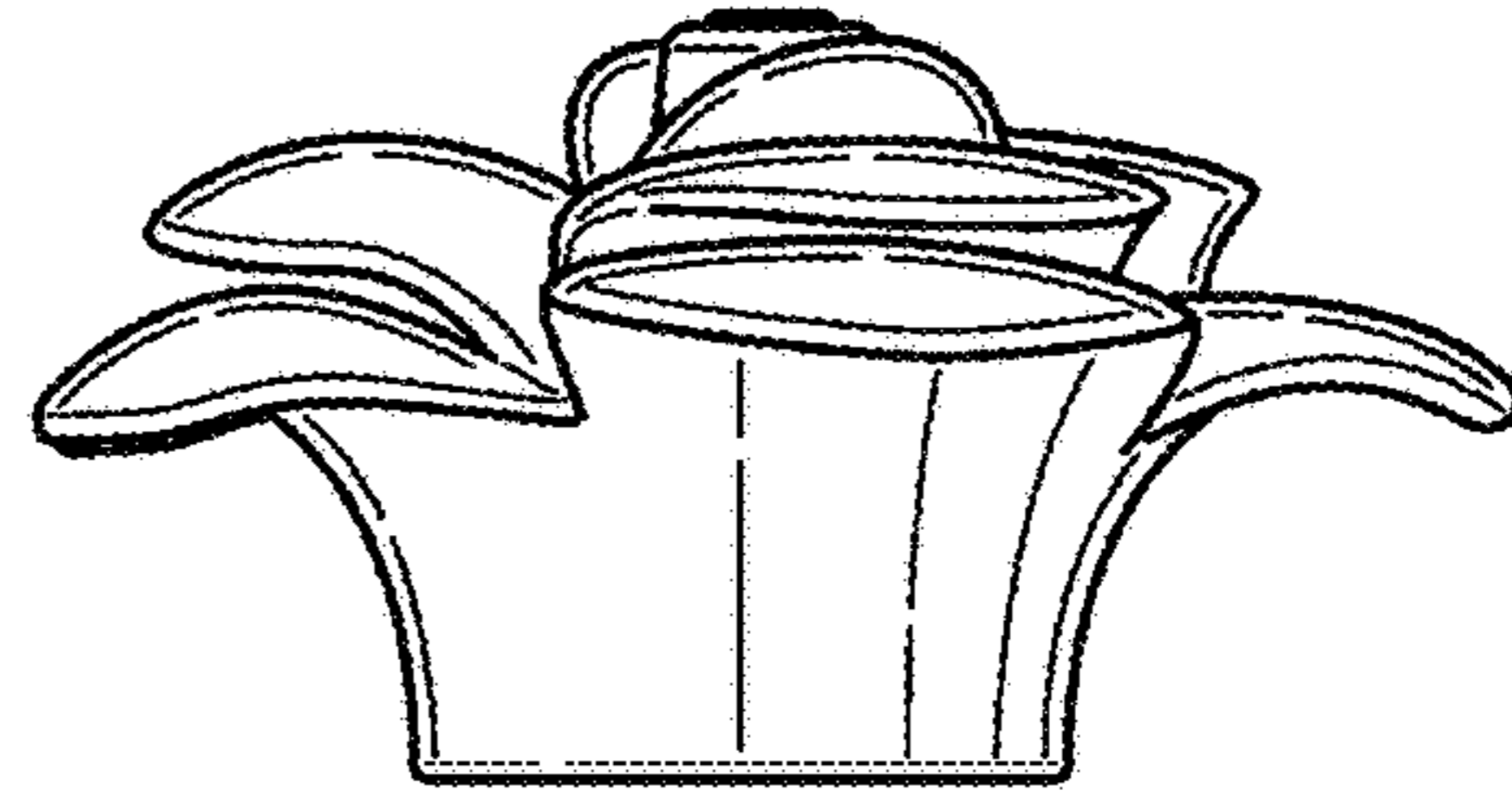


Fig. 5

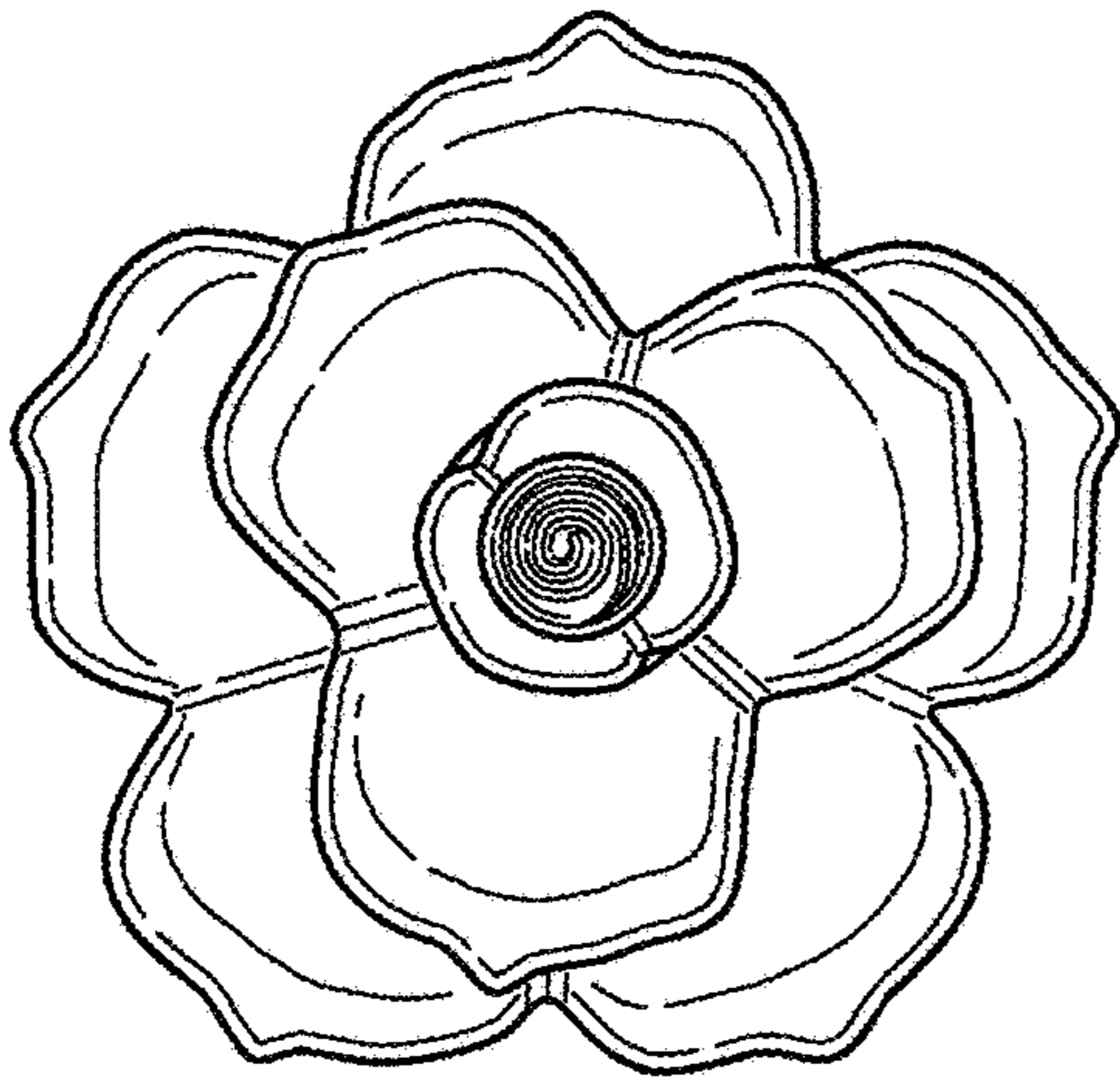


Fig. 6

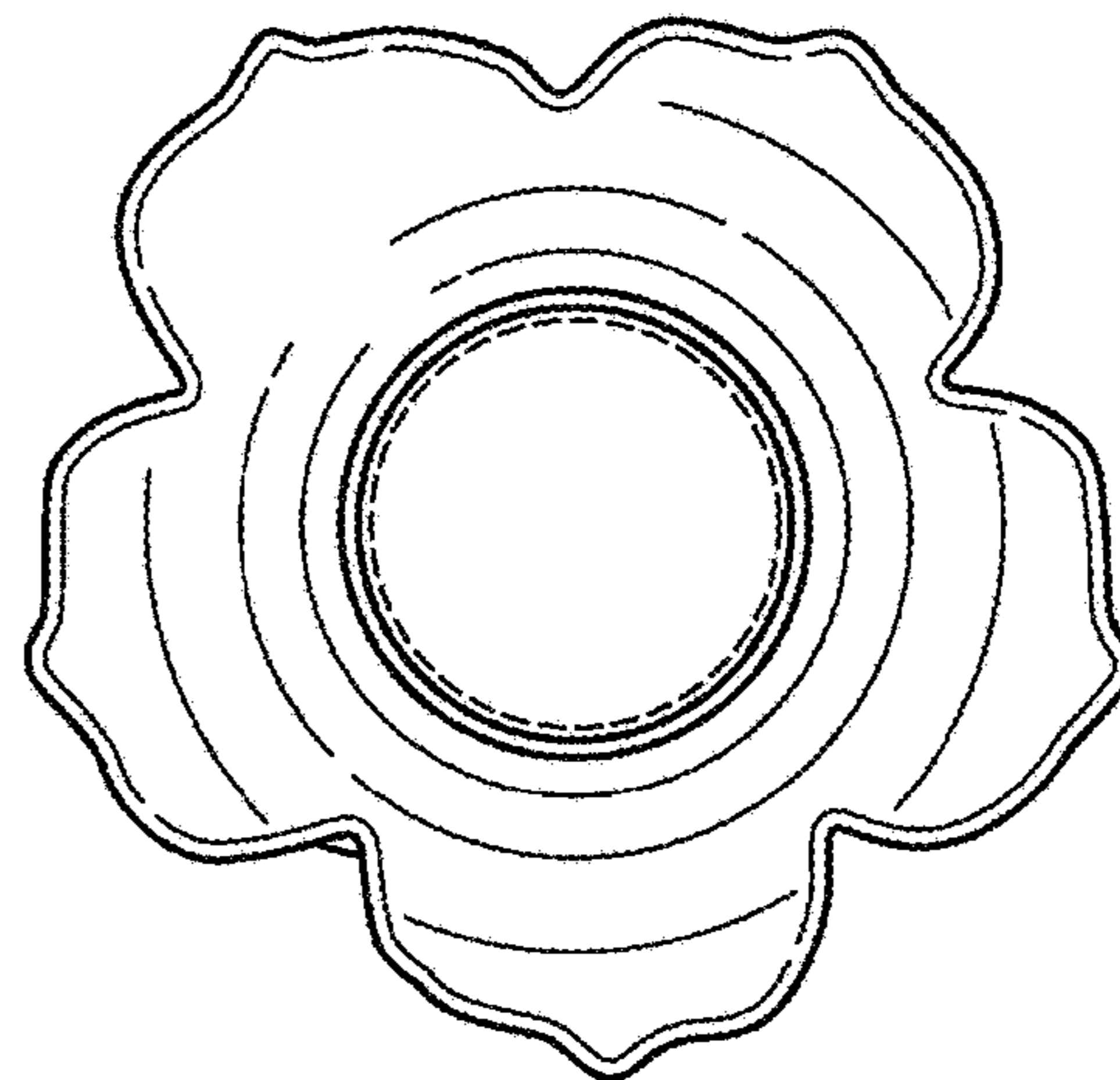


Fig. 7

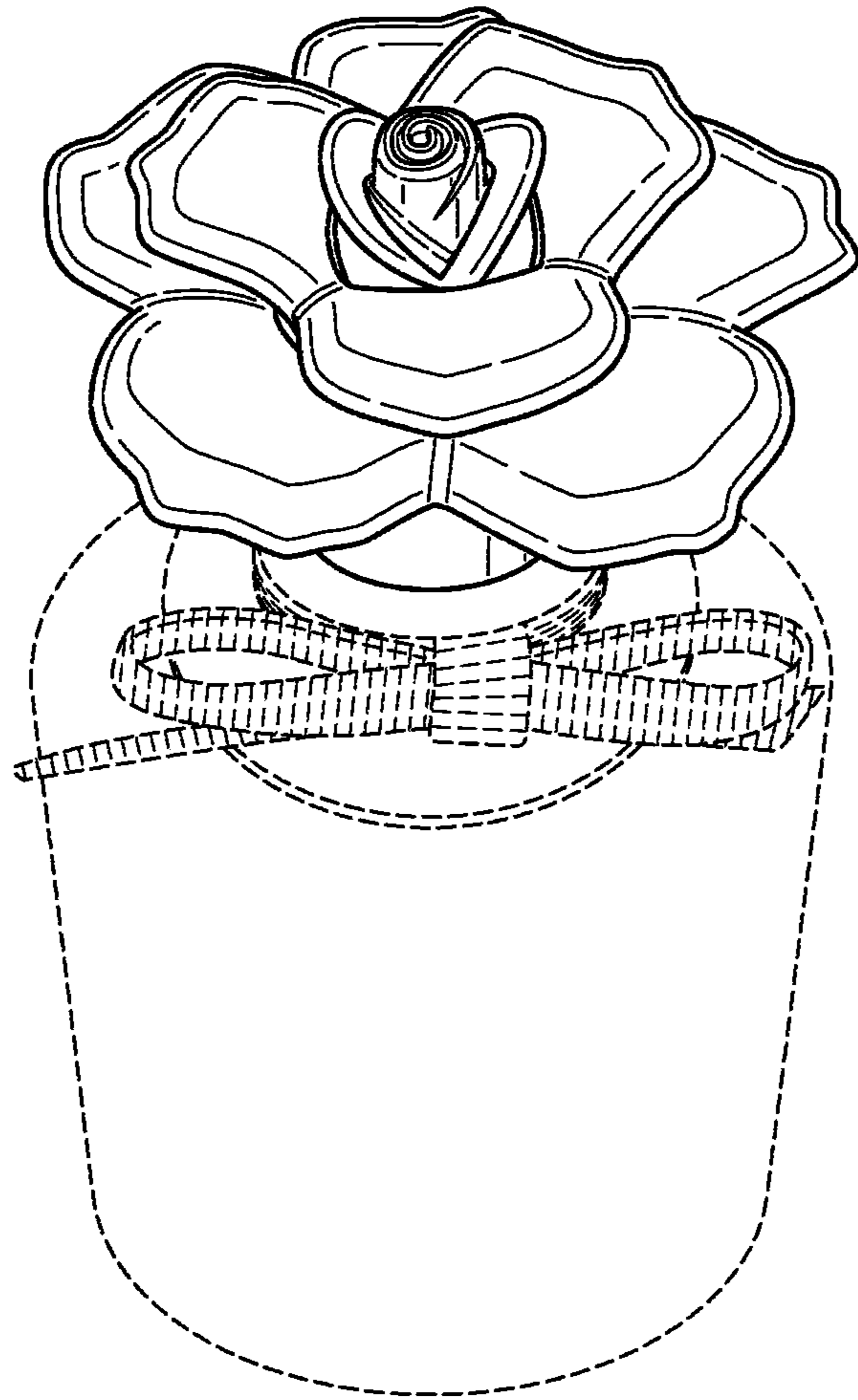


Fig. 8

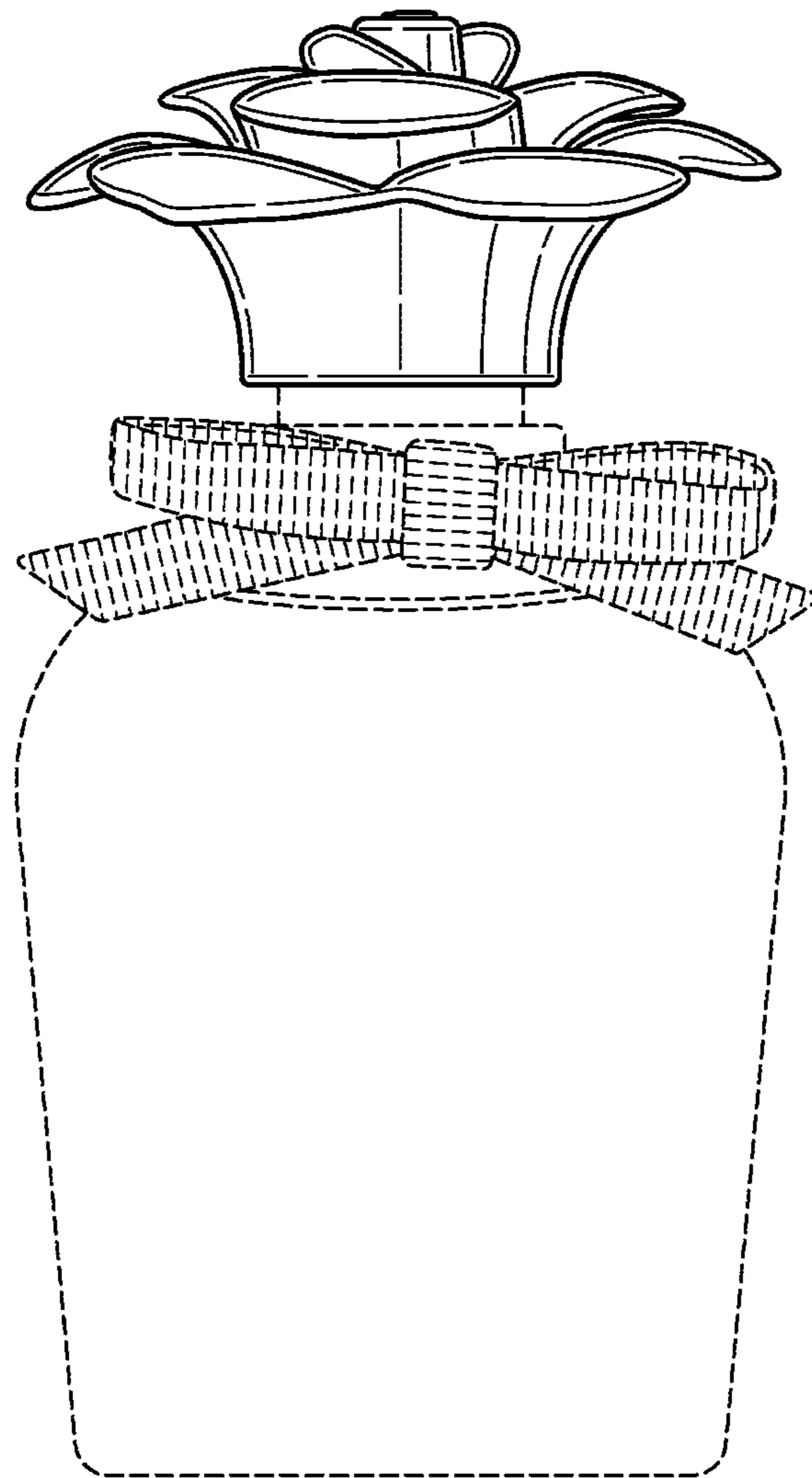


Fig. 9

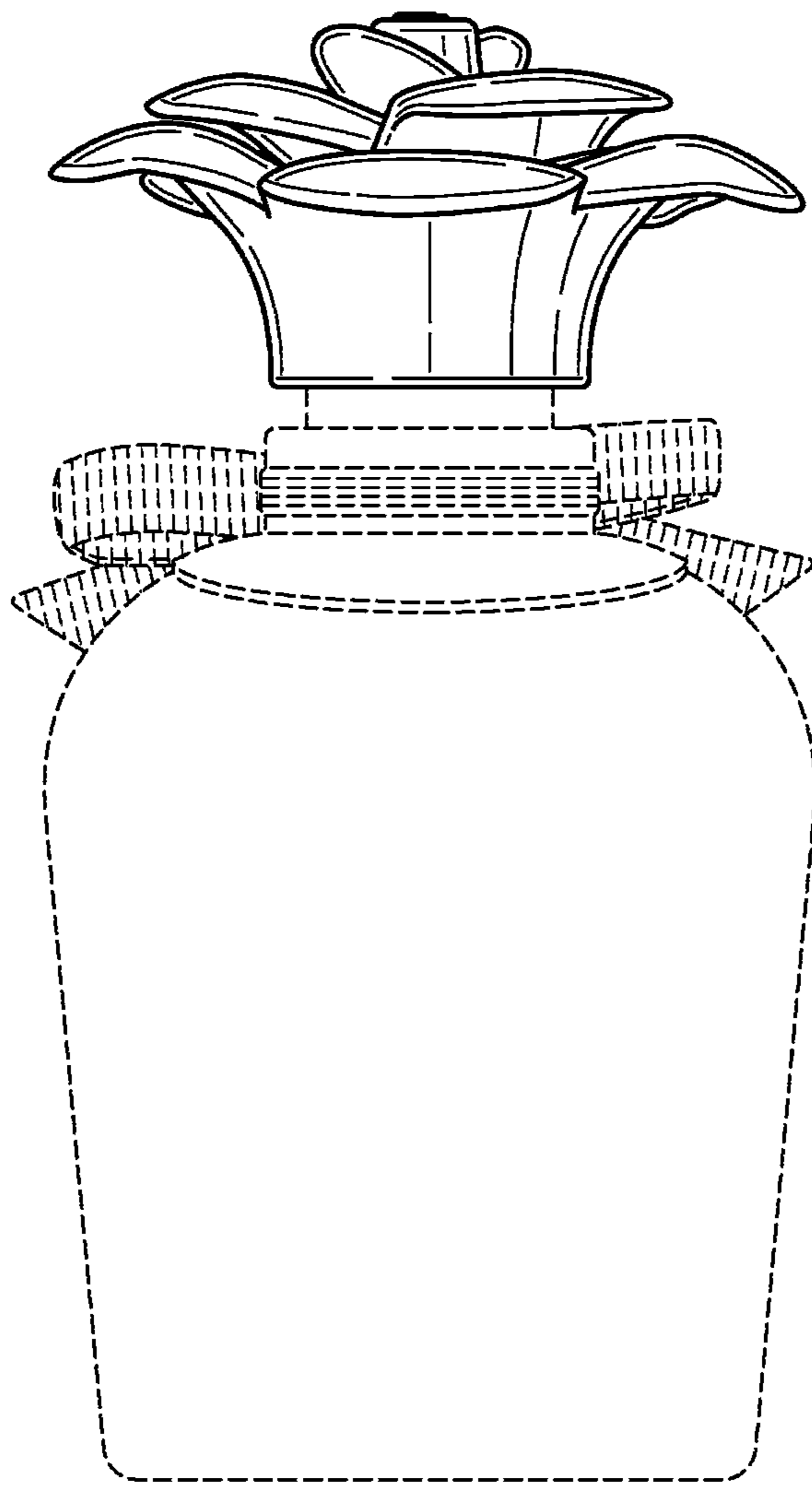


Fig. 10

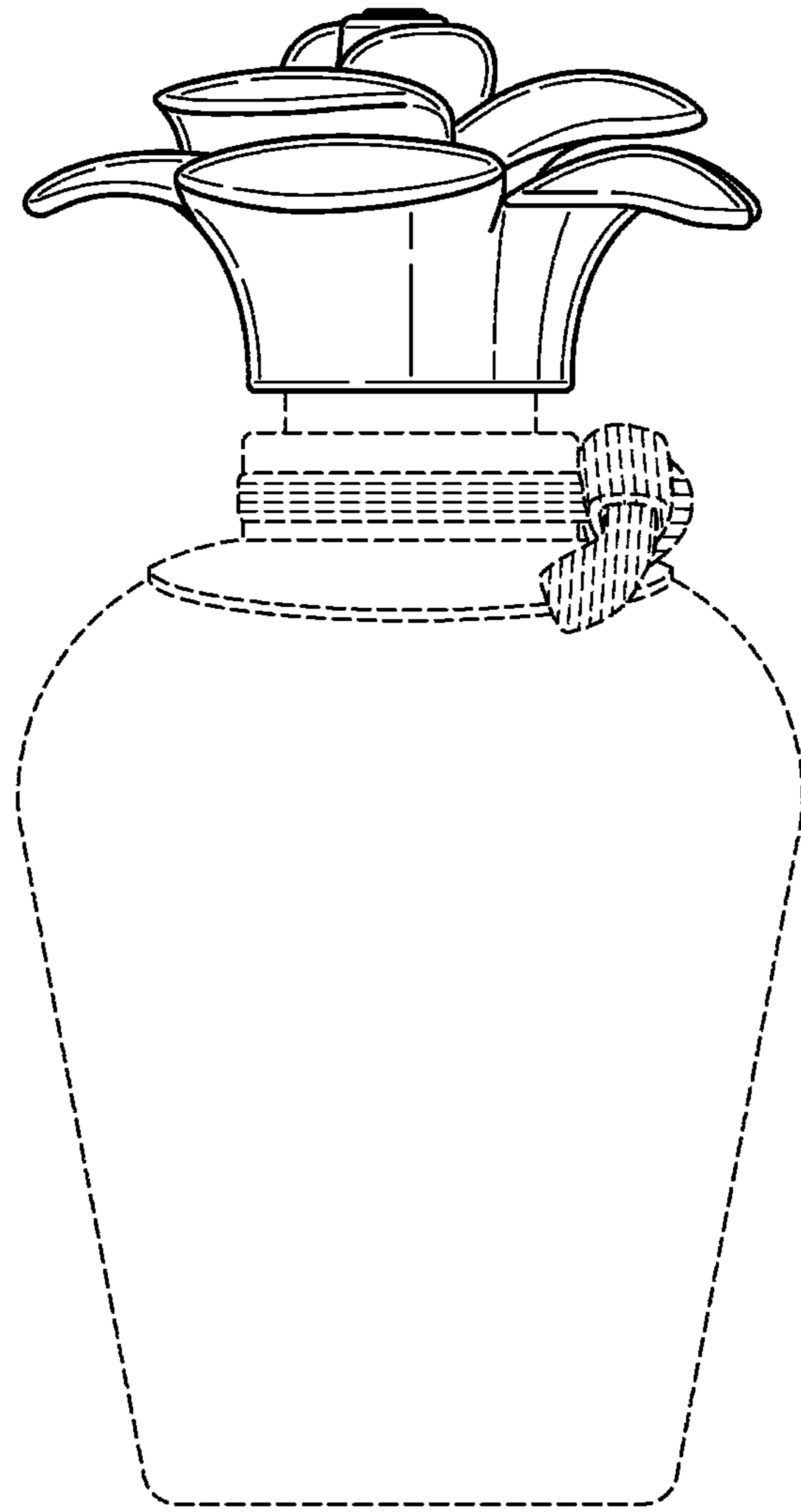


Fig. 11

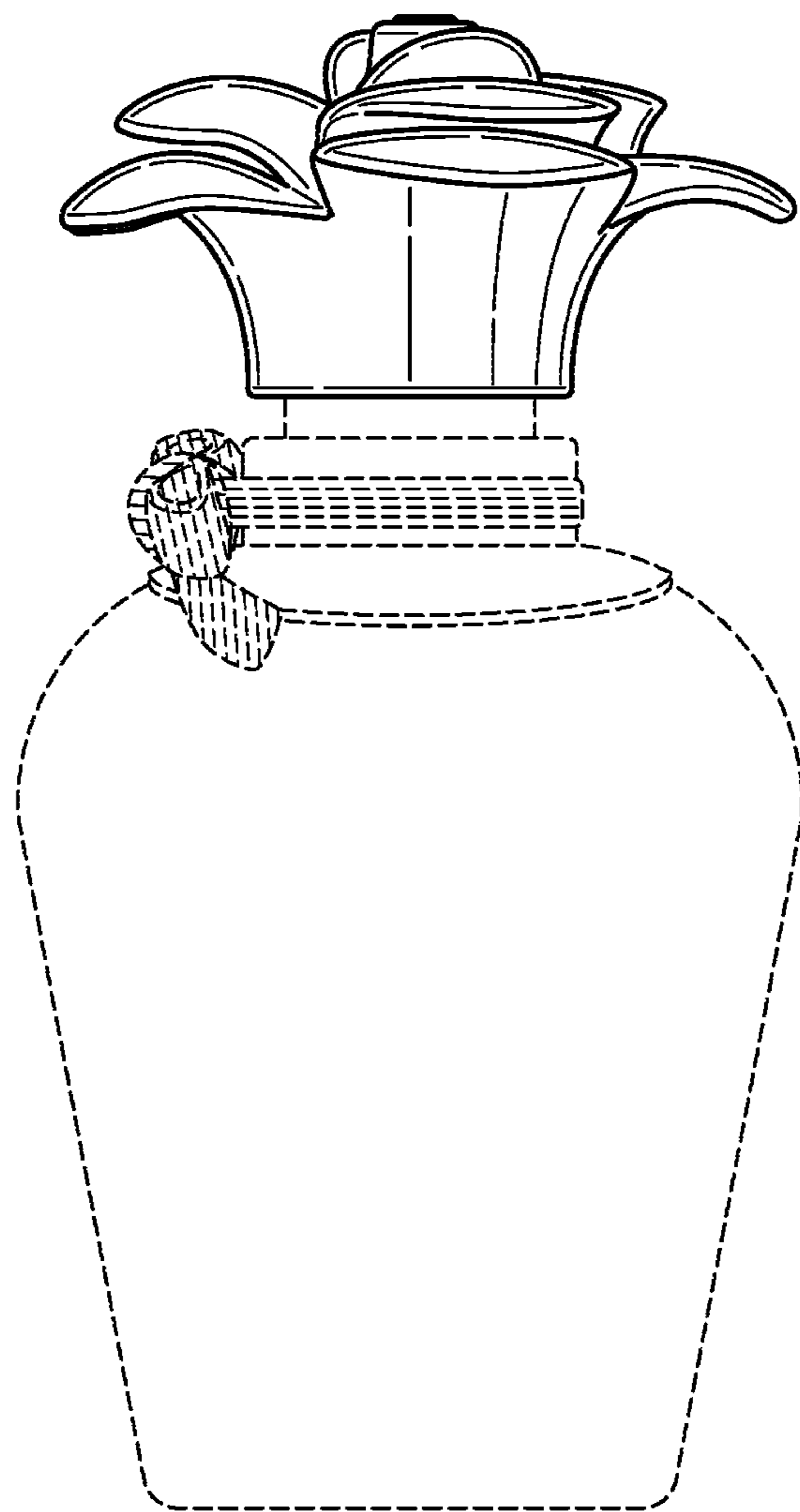


Fig. 12

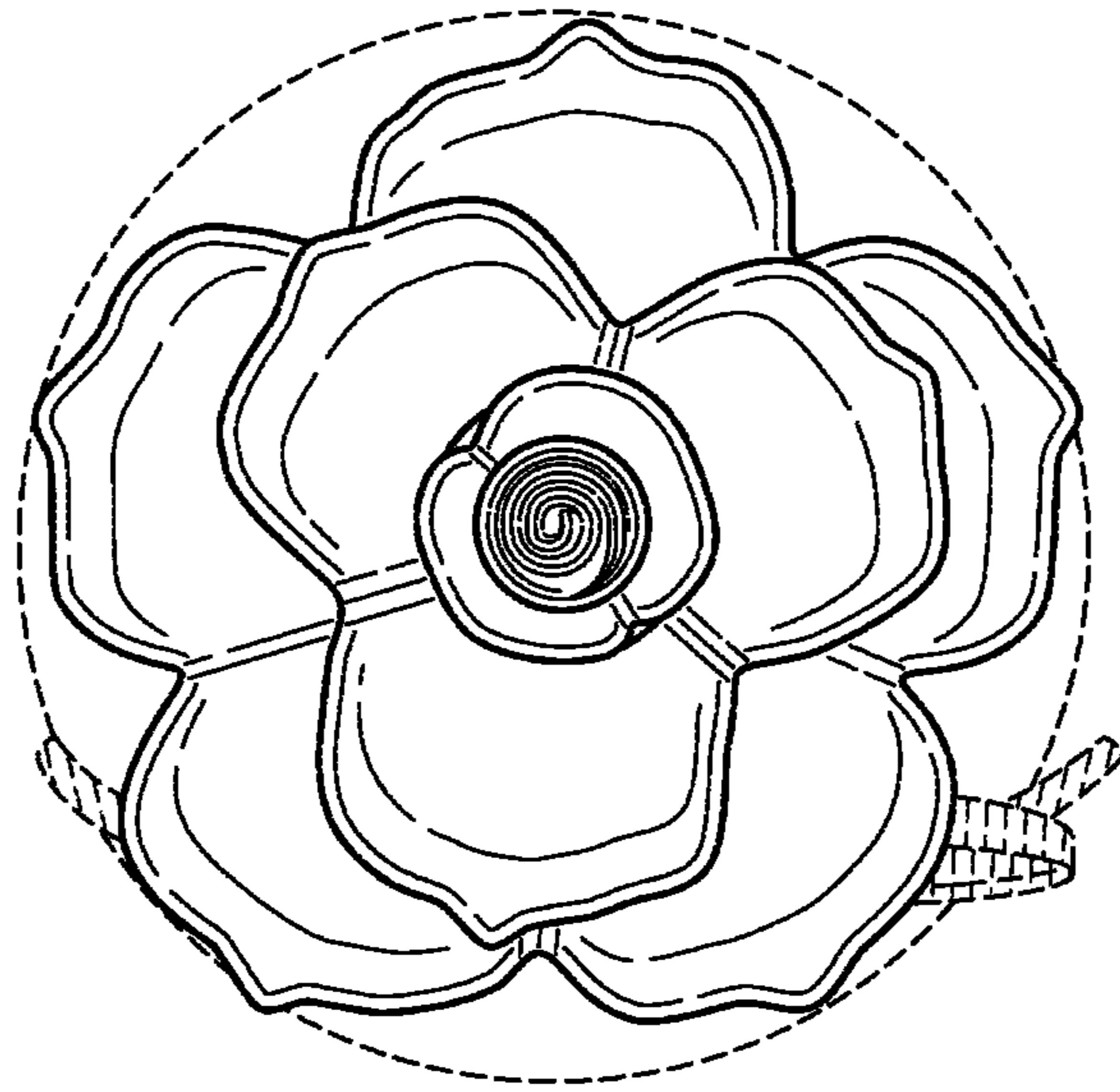


Fig. 13

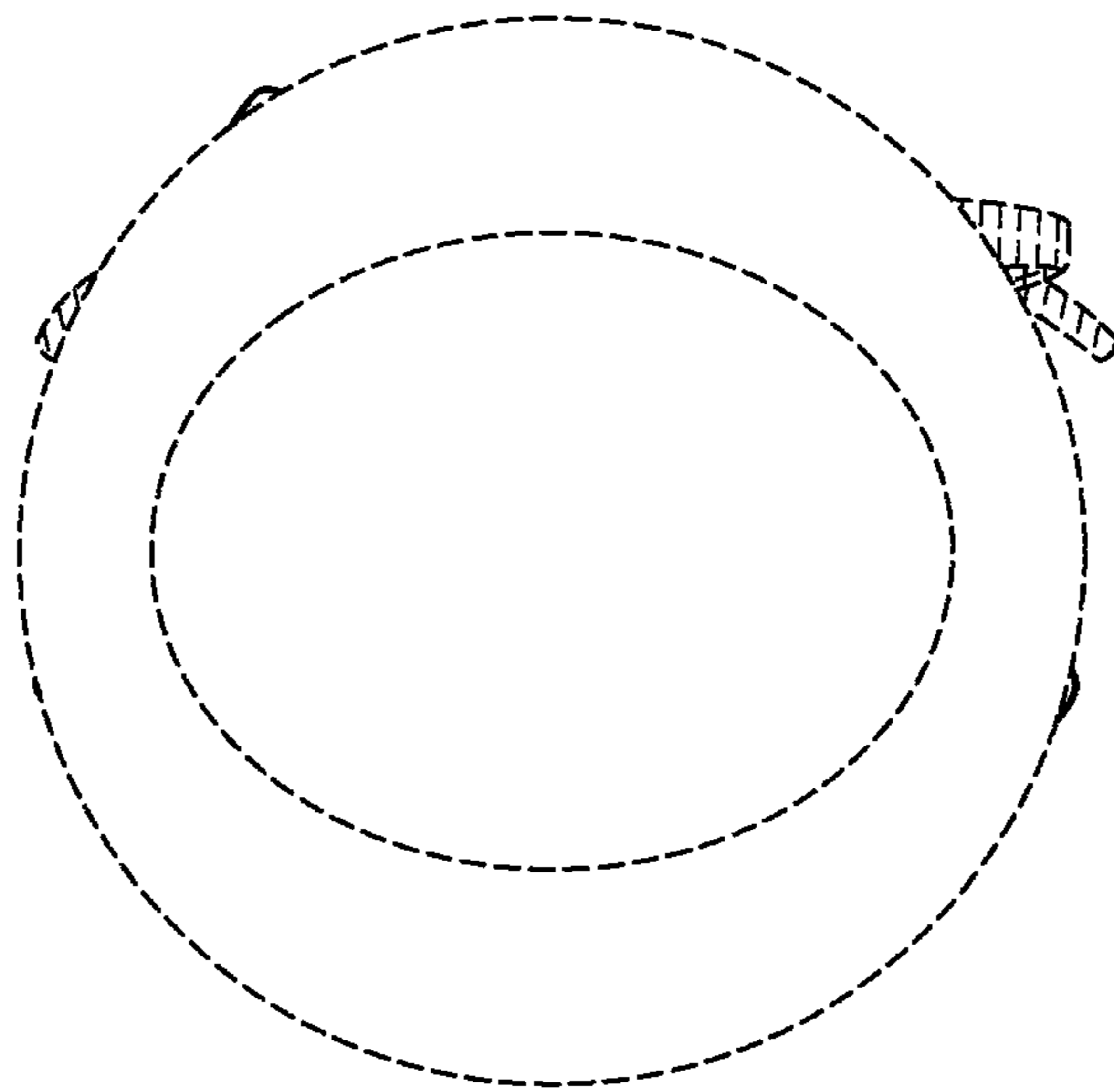


Fig. 14