



US00D792766S

(12) **United States Design Patent** (10) **Patent No.:** **US D792,766 S**
Agassi et al. (45) **Date of Patent:** **** *Jul. 25, 2017**

(54) **POURER**
(71) Applicants: **Or Agassi**, Tel Aviv (IL); **Reuven Marko**, Netanya (IL)
(72) Inventors: **Or Agassi**, Tel Aviv (IL); **Reuven Marko**, Netanya (IL)
(73) Assignee: **AGAM Innovations Ltd.**, Netanya (IL)
(*) Notice: This patent is subject to a terminal disclaimer.
(**) Term: **14 Years**
(21) Appl. No.: **29/490,992**
(22) Filed: **May 15, 2014**
(51) **LOC (10) Cl.** **09-07**
(52) **U.S. Cl.**
USPC **D9/450**
(58) **Field of Classification Search**
USPC D9/435, 440, 447, 449, 450, 453, 454, D9/499; D23/213
CPC B65D 47/06; B65D 47/12; B65D 47/32
See application file for complete search history.

4,384,662 A 5/1983 Boudin et al.
4,427,138 A 1/1984 Heinlein
4,497,422 A 2/1985 Klees
4,523,687 A 6/1985 Hullihen
4,597,513 A 7/1986 Schiemann
D285,055 S 8/1986 Heubel
(Continued)

OTHER PUBLICATIONS

International Search Authority: "Written Opinion of the International Searching Authority" (PCT Rule 43bis.1) including International Search Report for International Patent Application No. PCT/IL 11/00783; Date of Mailing: May 4, 2012.
(Continued)

Primary Examiner — Robert M Spear
(74) *Attorney, Agent, or Firm* — M&B IP Analysts, LLC

(57) **CLAIM**

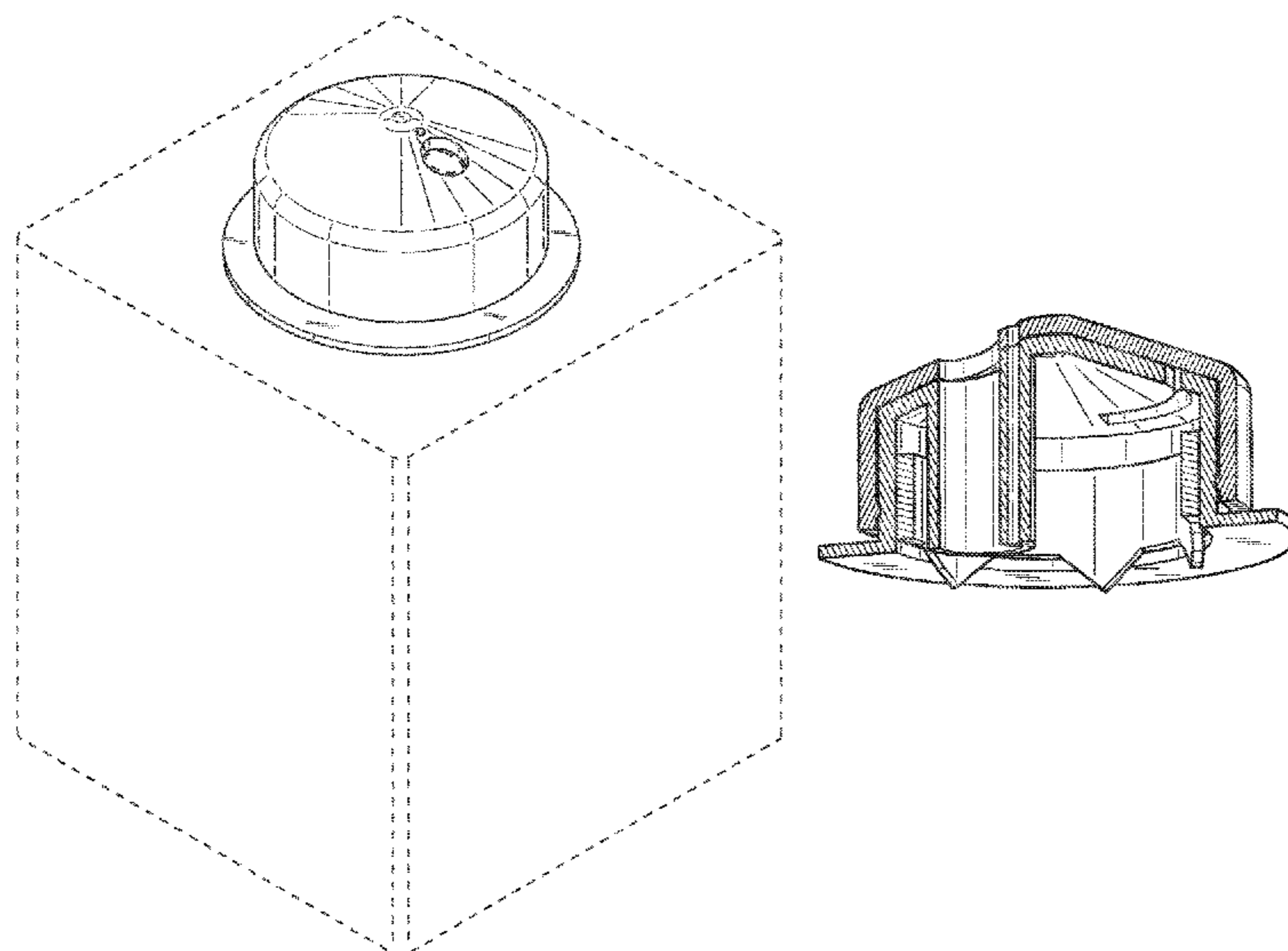
We claim the ornamental design for a pourer, as shown and described.

DESCRIPTION

FIG. 1 is a top isometric view of one embodiment of a cap for a pourer showing our new design in closed position further including an environment (environment not claimed);
FIG. 2 is a top view thereof, shown in a closed position;
FIG. 3 is a front view thereof;
FIG. 4 is a bottom view thereof;
FIG. 5 is a right side view thereof;
FIG. 6 is a rear side view thereof;
FIG. 7 is a left side view thereof;
FIG. 8 is a cross-sectional view thereof divided along the line 8-8 shown in FIG. 2;
FIG. 9 is a top view thereof, shown in an open position; and,
FIG. 10 is a cross-sectional view thereof divided along the line 10-10 shown in FIG. 9.

1 Claim, 3 Drawing Sheets

(56) **References Cited**
U.S. PATENT DOCUMENTS
2,112,125 A 3/1938 Von Bultzingslowen
D217,330 S 4/1970 Conry
3,630,419 A 12/1971 Pierce
3,750,915 A 8/1973 Kearney
D229,826 S 1/1974 Raptis
3,796,348 A 3/1974 Zipper
3,894,661 A 7/1975 Guala
3,966,099 A 6/1976 Sanford, Jr. et al.
4,010,875 A 3/1977 Babiol
4,105,141 A 8/1978 Lane et al.
4,171,749 A 10/1979 Aichinger et al.
4,217,988 A 8/1980 Curtis et al.
4,261,484 A 4/1981 DaCosta et al.
4,311,259 A 1/1982 Babiol



(56)

References Cited

U.S. PATENT DOCUMENTS

D285,892 S 9/1986 Doyel
 4,736,871 A 4/1988 Luciani et al.
 4,756,435 A 7/1988 Schick et al.
 4,869,399 A 9/1989 Dubach
 4,884,705 A 12/1989 Debetencourt
 4,984,711 A 1/1991 Ellis
 5,020,690 A 6/1991 Kishikawa et al.
 5,044,530 A 9/1991 Stull
 D326,818 S 6/1992 Maguire
 5,181,632 A 1/1993 Latter
 5,211,318 A 5/1993 Govatzidakis
 5,303,839 A 4/1994 Blumenschein
 5,303,850 A 4/1994 Connan
 5,346,099 A 9/1994 Salmon et al.
 5,462,201 A 10/1995 Wilkins
 D373,928 S * 9/1996 Green D7/392.1
 D381,906 S * 8/1997 Bartsch D9/438
 5,713,491 A 2/1998 Hughes et al.
 5,785,209 A 7/1998 Guglielmini
 5,799,836 A 9/1998 Lee
 5,823,383 A 10/1998 Hins
 D410,843 S * 6/1999 Mogard D9/438
 5,961,008 A 10/1999 Peckels
 D418,417 S 1/2000 Hollinger
 6,016,935 A 1/2000 Huegerich et al.
 6,085,949 A 7/2000 Zimny et al.
 6,123,225 A 9/2000 Peckels
 6,138,849 A 10/2000 Roemer et al.
 6,149,022 A 11/2000 Akyildiz et al.
 D434,586 S * 12/2000 De Winter D6/542
 D443,021 S * 5/2001 Maddox D23/213
 6,315,160 B1 11/2001 Gaiser et al.
 6,409,054 B1 6/2002 Garibaldi
 6,488,186 B2 12/2002 Gaiser et al.
 D468,205 S 1/2003 Pierce
 6,568,660 B1 5/2003 Flanbaum
 D484,801 S 1/2004 Pierce
 6,742,678 B1 6/2004 Krystopik, Jr.
 D501,359 S 2/2005 Bodum
 6,851,584 B2 2/2005 White
 6,851,586 B2 2/2005 Odet
 6,883,689 B2 4/2005 Odet
 6,892,905 B2 5/2005 Cousseau
 D513,180 S 12/2005 Lindsey et al.
 D529,799 S 10/2006 Jensen
 D533,776 S 12/2006 Allen et al.
 7,237,692 B2 7/2007 Bodum
 7,300,580 B2 11/2007 Lindsey et al.
 7,407,067 B2 8/2008 Kerkhof et al.

D577,997 S 10/2008 Pan
 D587,524 S 3/2009 Allen et al.
 D587,571 S 3/2009 Gonzales, Jr.
 D591,594 S 5/2009 Jalet
 7,527,180 B2 5/2009 Allen et al.
 7,622,039 B2 11/2009 Farrell et al.
 D608,640 S * 1/2010 Carreno D9/449
 D629,685 S * 12/2010 Brannon D9/446
 D633,753 S 3/2011 White
 D634,632 S * 3/2011 Sridhar D9/449
 D639,421 S 6/2011 Sano et al.
 D652,251 S 1/2012 Goralski et al.
 8,245,882 B1 8/2012 Federighi
 D675,060 S * 1/2013 Lane D7/392.1
 D678,768 S 3/2013 Agassi et al.
 8,464,916 B2 * 6/2013 De Rosa B65D 47/2087
 222/513
 D688,127 S 8/2013 Agassi et al.
 D700,511 S 3/2014 Agassi et al.
 D702,272 S * 4/2014 Furujo D15/144
 D704,067 S * 5/2014 Scott D9/449
 D709,373 S 7/2014 Agassi et al.
 D718,626 S * 12/2014 Lane D9/449
 9,145,239 B2 * 9/2015 Wohlgenannt B65D 5/748
 D749,692 S * 2/2016 Shawver D23/213
 9,272,825 B2 * 3/2016 De Rosa B65D 47/2087
 2005/0194410 A1 9/2005 Pham
 2006/0000855 A1 1/2006 Allen et al.
 2008/0017675 A1 1/2008 Pressey
 2008/0073383 A1 3/2008 McDonald
 2008/0099514 A1 5/2008 Carter et al.
 2008/0237178 A1 10/2008 Laburu
 2008/0272147 A1 11/2008 Buker et al.
 2010/0006590 A1 1/2010 Withoos et al.
 2010/0038378 A1 2/2010 Gabler et al.
 2010/0091605 A1 4/2010 Rasmussen et al.
 2010/0230376 A1 * 9/2010 De Rosa B65D 47/2068
 215/228
 2011/0024383 A1 2/2011 McKenna et al.
 2012/0085790 A1 4/2012 Agassi et al.
 2012/0097714 A1 * 4/2012 Hoeft G01F 13/006
 222/477
 2014/0202981 A1 * 7/2014 De Rosa B65D 41/0471
 215/329
 2015/0225142 A1 * 8/2015 Agassi B65D 47/12
 222/153.14

OTHER PUBLICATIONS

Design U.S. Appl. No. 29/482,415, filed Feb. 28, 2014.

* cited by examiner

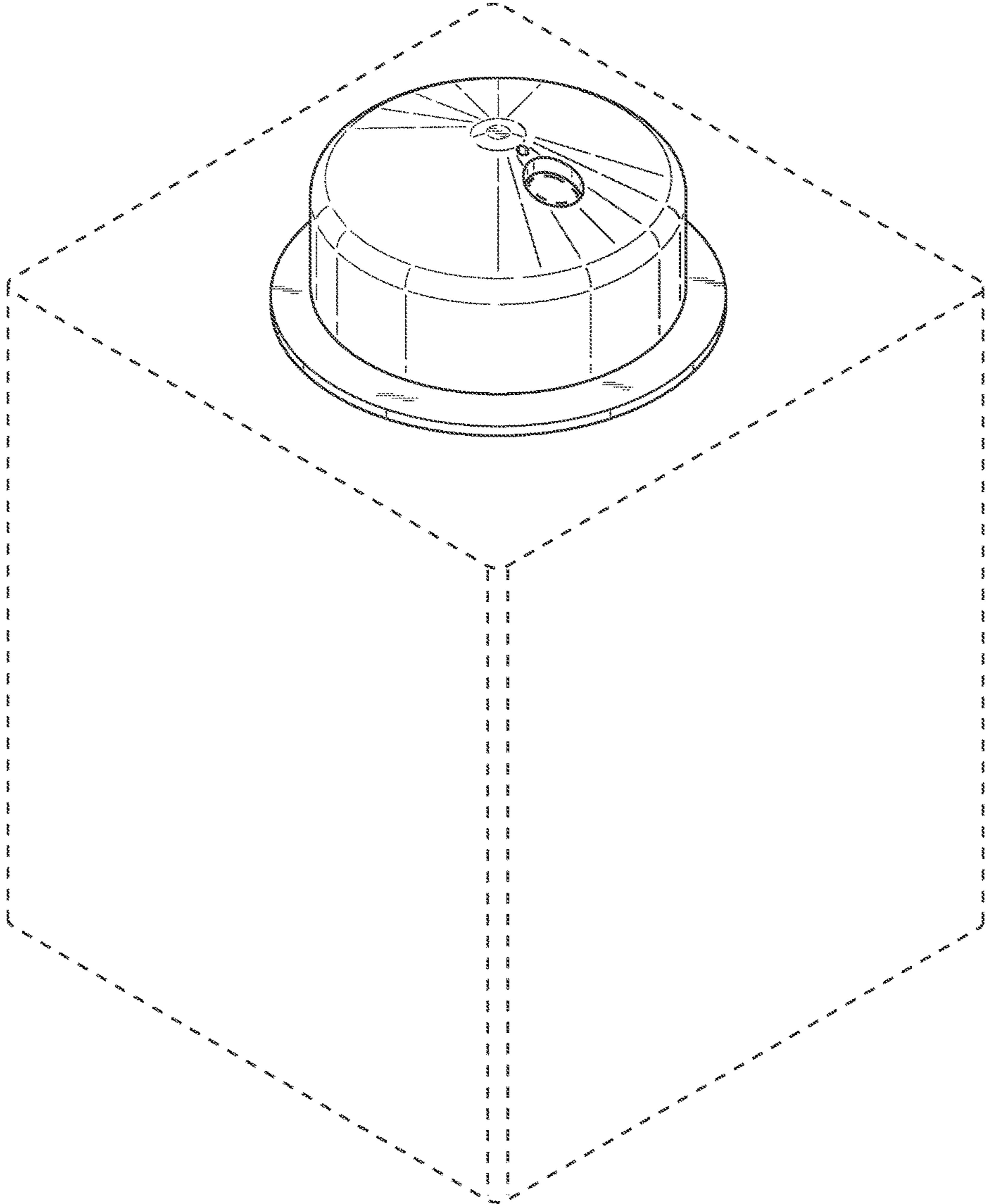


FIG. 1

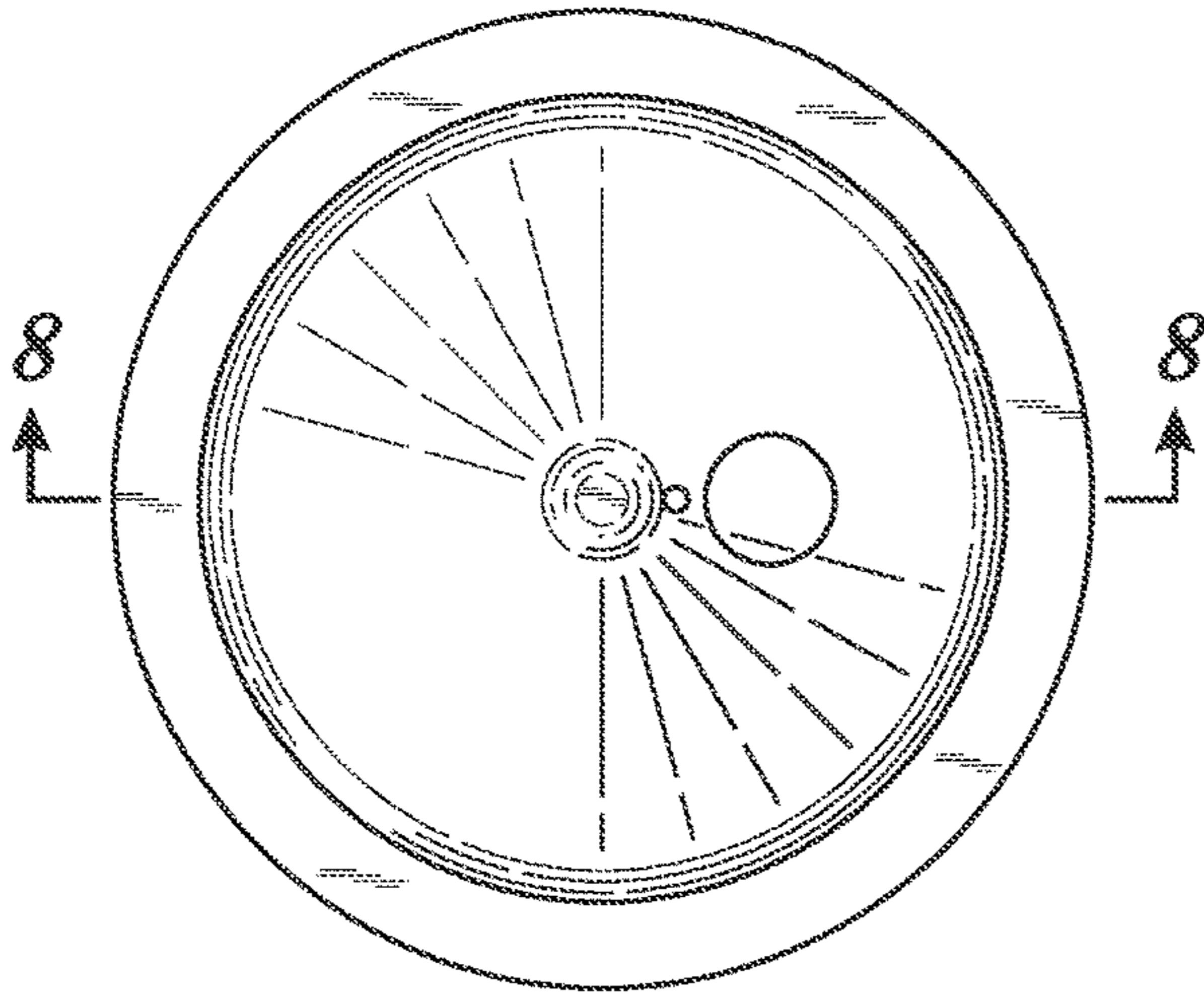


FIG. 2

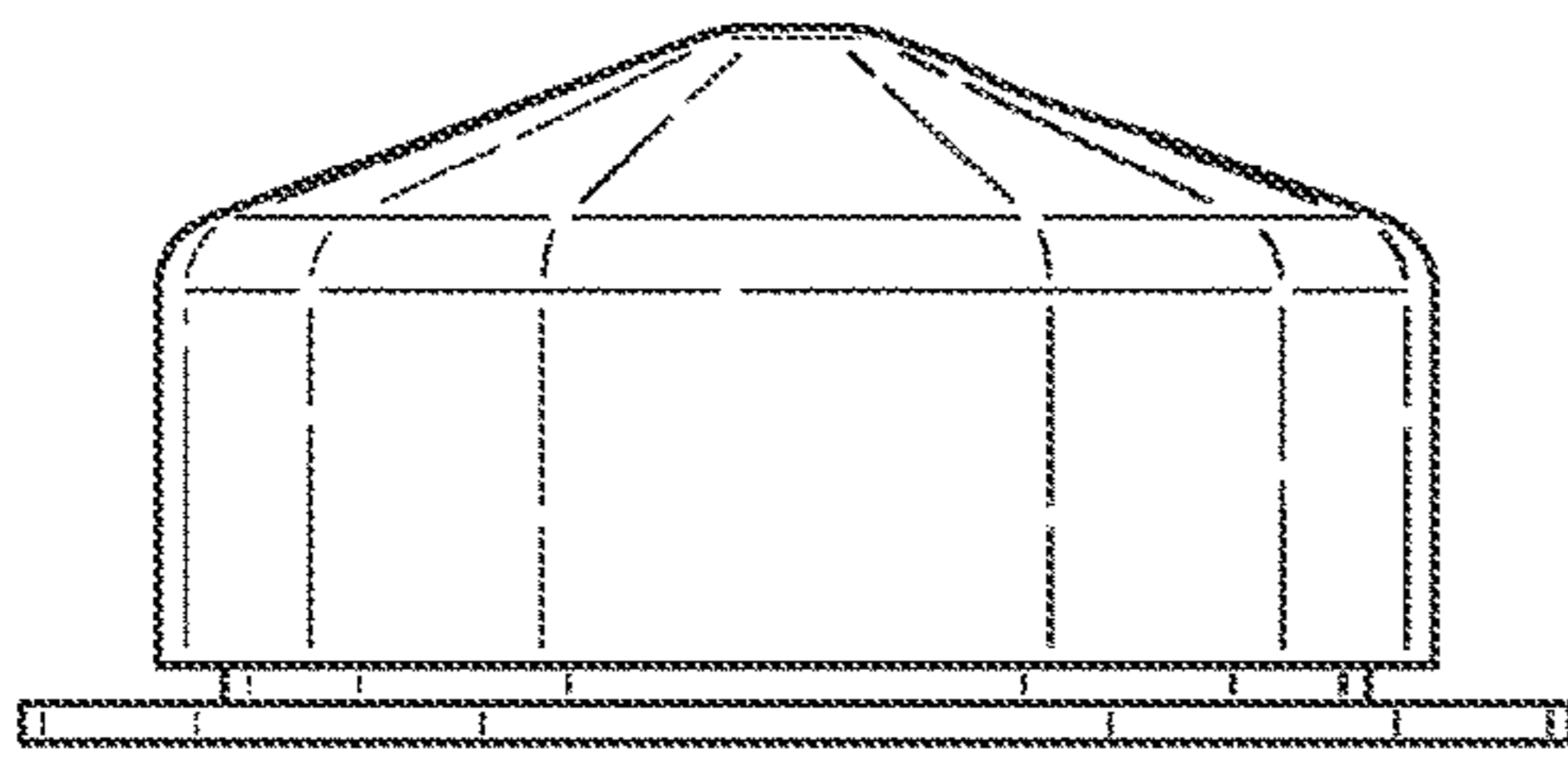


FIG. 3

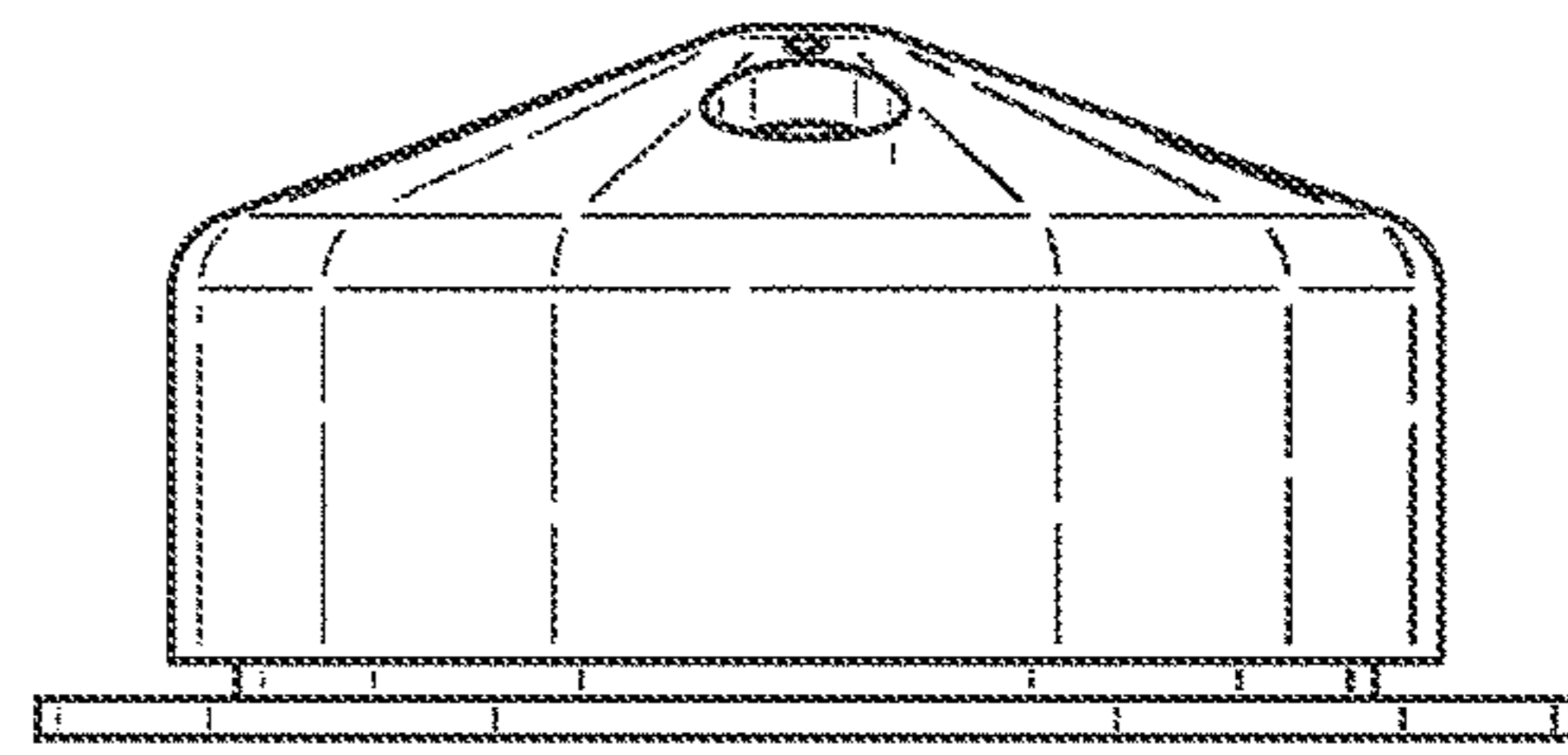


FIG. 5

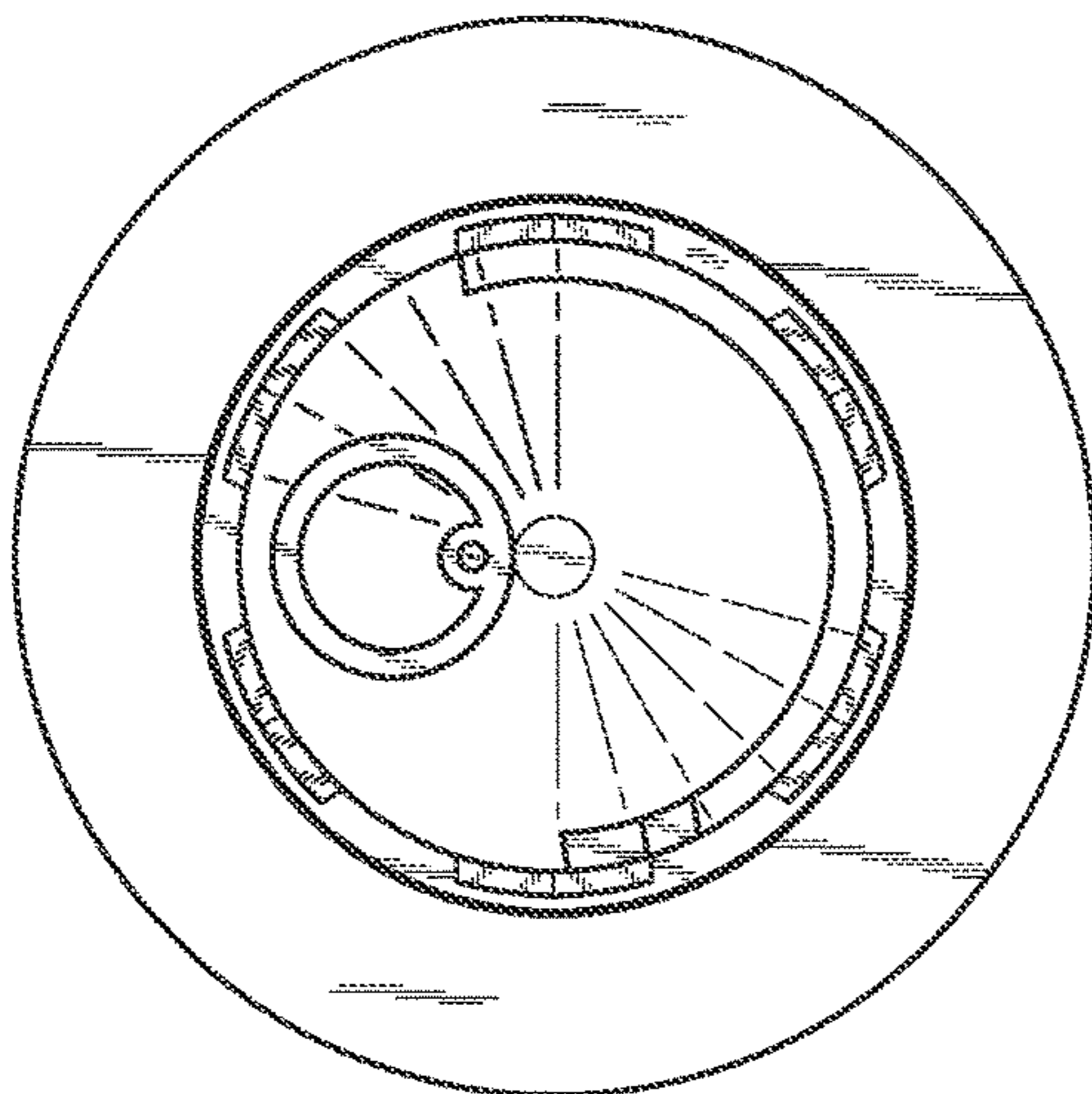


FIG. 4

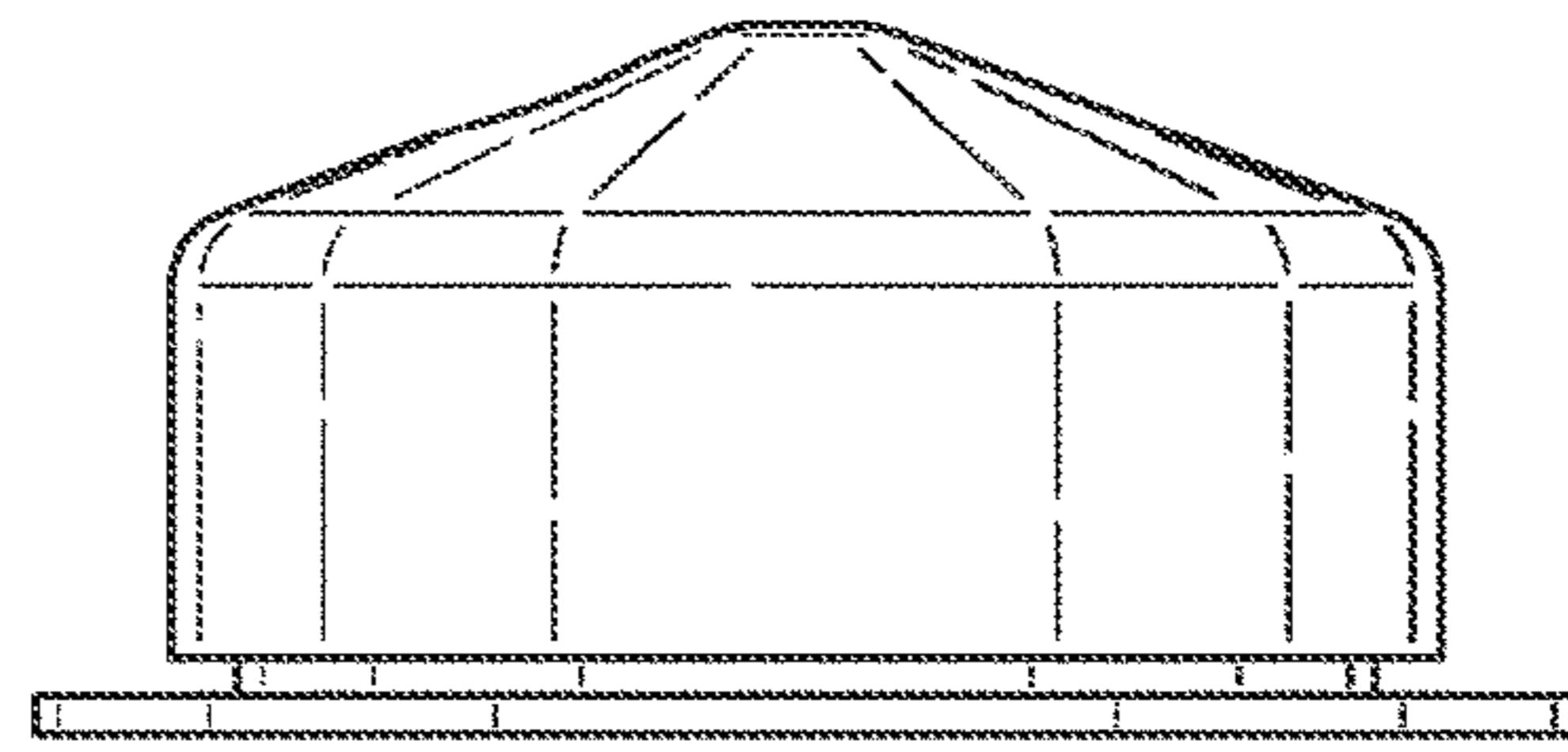


FIG. 6

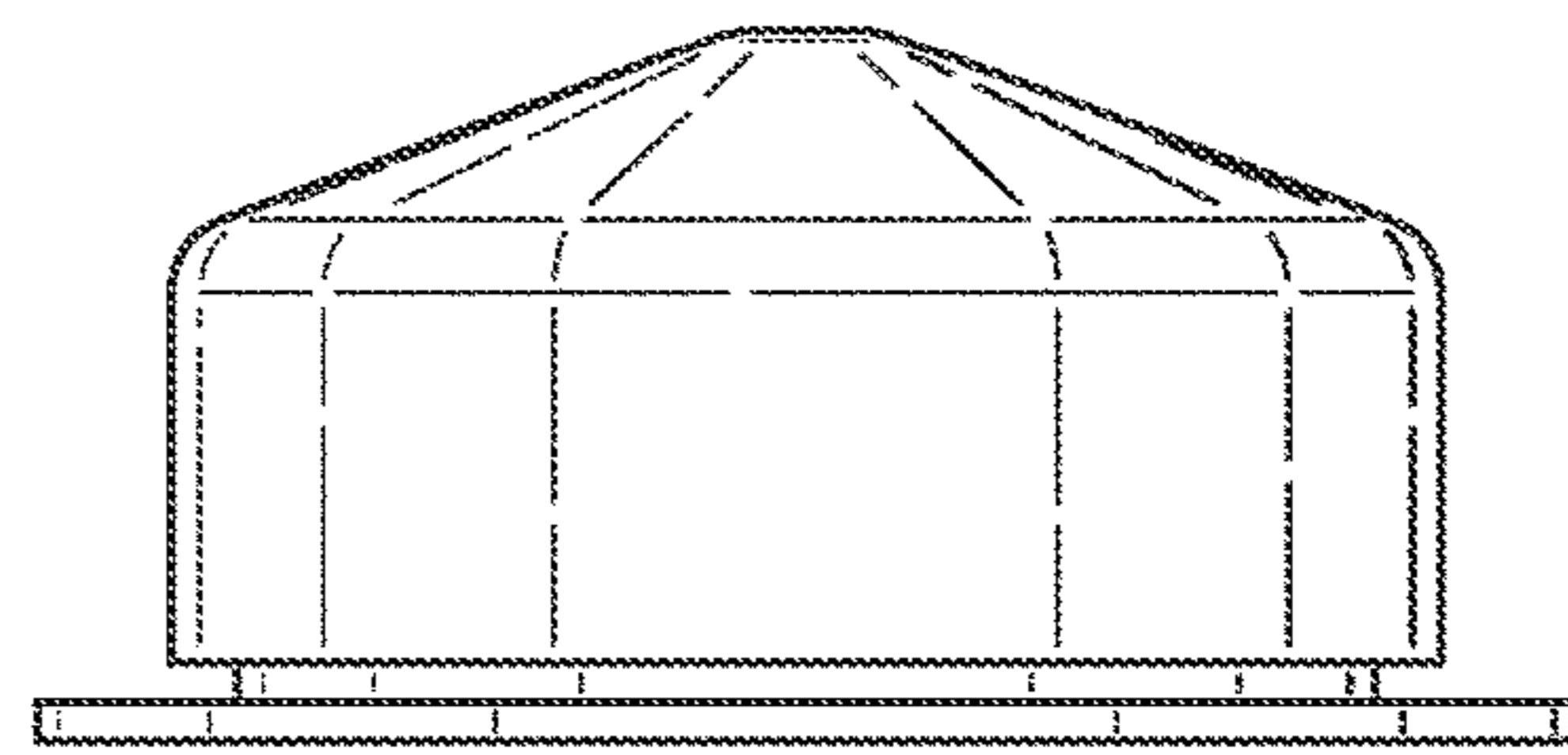


FIG. 7

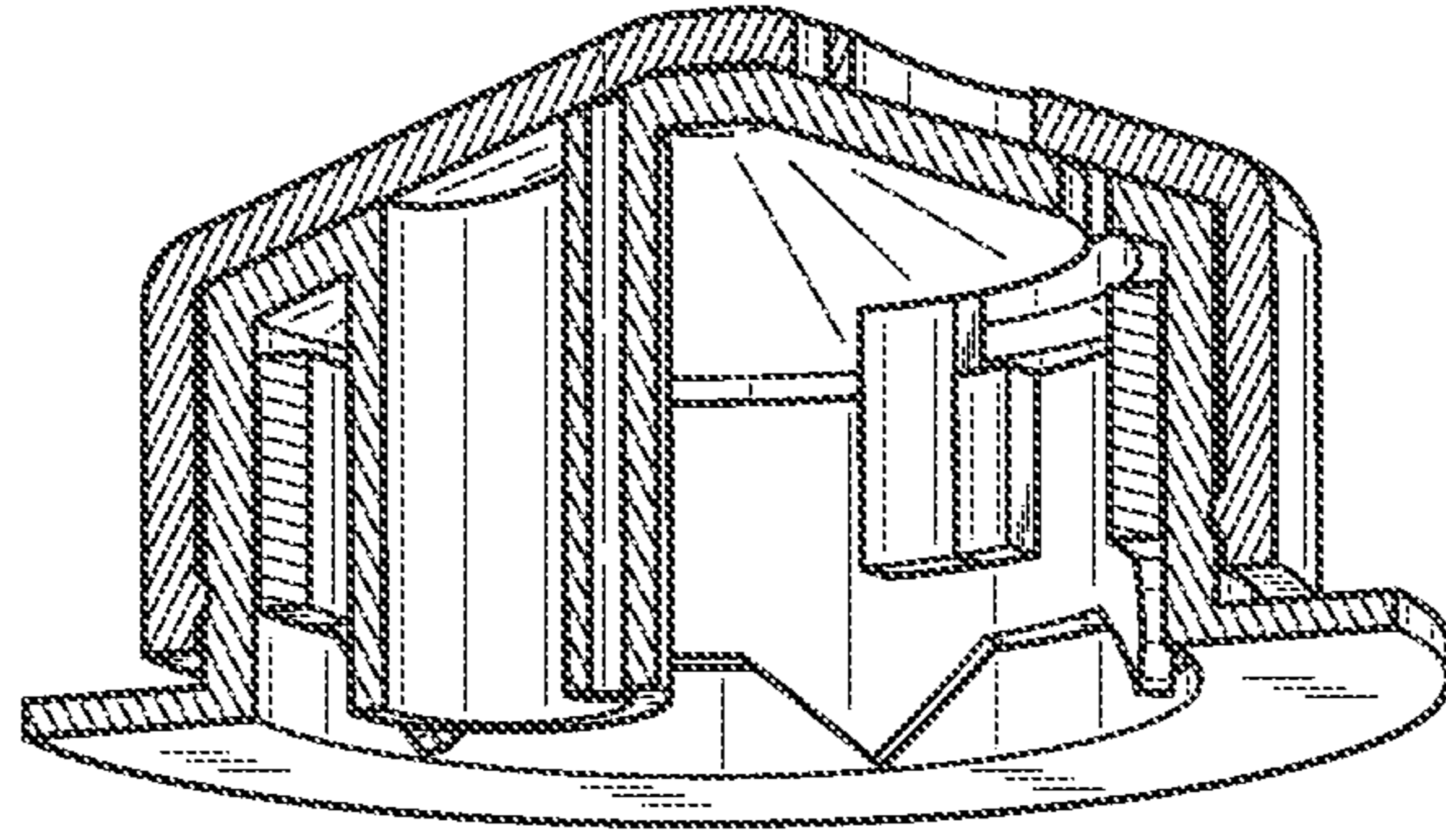


FIG. 8

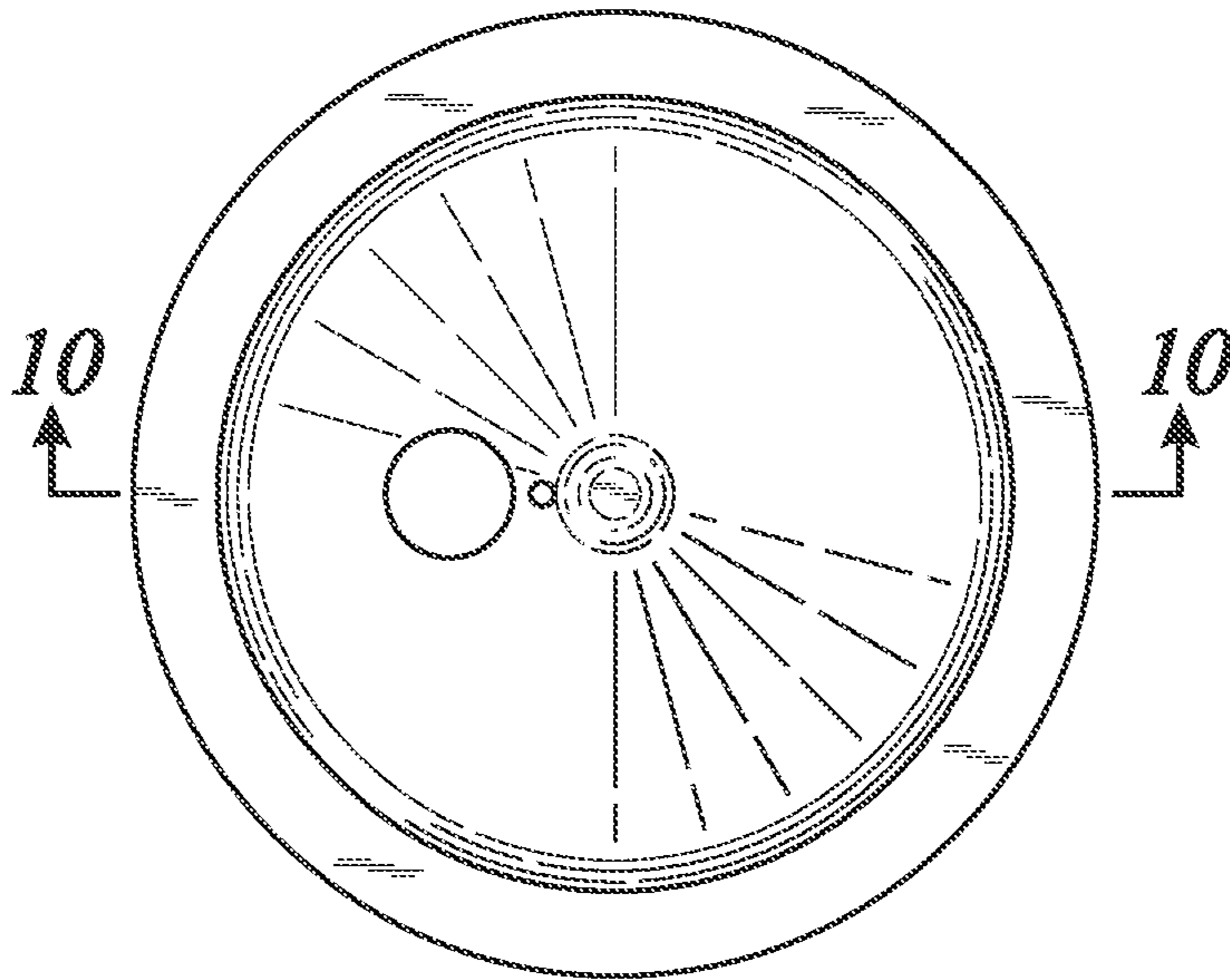


FIG. 9

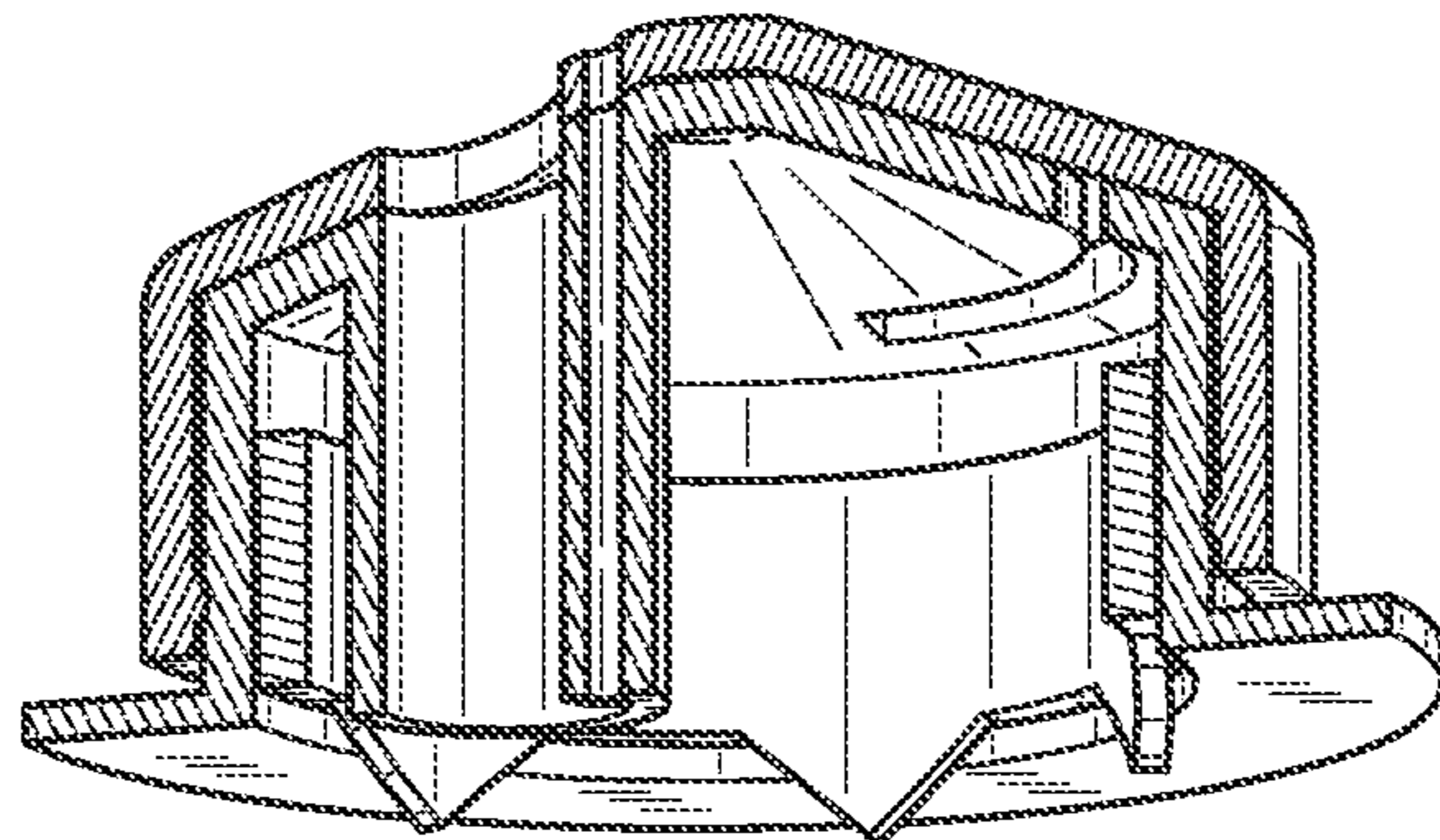


FIG. 10