



US00D792765S

(12) **United States Design Patent** (10) **Patent No.:** **US D792,765 S**
Buck (45) **Date of Patent:** **** Jul. 25, 2017**

(54) **BEVERAGE LID WITH FOOD CONTAINER**

(71) Applicant: **Ronald Mark Buck**, Encinitas, CA (US)

(72) Inventor: **Ronald Mark Buck**, Encinitas, CA (US)

(73) Assignee: **Snacktops, Inc.**, Carlsbad, CA (US)

(**) Term: **15 Years**

(21) Appl. No.: **29/577,534**

(22) Filed: **Sep. 13, 2016**

(51) **LOC (10) Cl.** **09-07**

(52) **U.S. Cl.**

USPC **D9/449**

(58) **Field of Classification Search**

USPC D9/414, 417, 428, 432, 434, 435, D9/443-450, 452-456, 499, 682-685; D7/387, 392, 392.1, 393, 396.1-396.4, D7/398, 401.1, 507, 509-511, 538, 900; D3/202, 294, 318; D28/91.1; D6/580, D6/699, 699.4, 702; D8/349, 354, 382, D8/107, 300, 321, 322
CPC .. A61J 1/00; A61J 1/1412; B65D 1/00; B65D 1/02; B65D 1/10; B65D 1/46; B65D 2585/56; B65D 2585/545; B65D 41/00; B65D 41/38; B65D 41/56; B65D 41/62; B65D 47/00; B65D 47/06; B65D 47/08; B65D 2543/00046; B65D 2543/00092; B65D 2543/00296; B65D 5/46; B65D 2251/00

See application file for complete search history.

(56) **References Cited**

U.S. PATENT DOCUMENTS

D221,625 S * 8/1971 Kinney D9/428
D275,179 S * 8/1984 Spencer D9/428
D285,656 S * 9/1986 Champion D7/511

(Continued)

Primary Examiner — Karen S Acker

Assistant Examiner — Wendy Arminio

(74) *Attorney, Agent, or Firm* — Manuel de la Cerra

(57) **CLAIM**

The ornamental design for a beverage lid with food container, as shown and described.

DESCRIPTION

FIG. 1 is a top perspective view of a beverage lid with food container.

FIG. 2 is an exploded top perspective view of the design of FIG. 1 showing the manner of assembly of the two parts.

FIG. 3 is an exploded bottom perspective view thereof.

FIG. 4 is a top perspective view thereof, wherein the design of FIG. 1 is shown in a position of use with an unclaimed beverage container, straw, and food container lid.

FIG. 5 is a bottom perspective view thereof.

FIG. 6 is an exploded top perspective view thereof showing the manner of assembly of the design of FIG. 1 with an unclaimed beverage container, straw, and food container lid.

FIG. 7 is an exploded bottom perspective view thereof.

FIG. 8 is a top view of both parts of the design of FIG. 1.

FIG. 9 is a bottom view thereof.

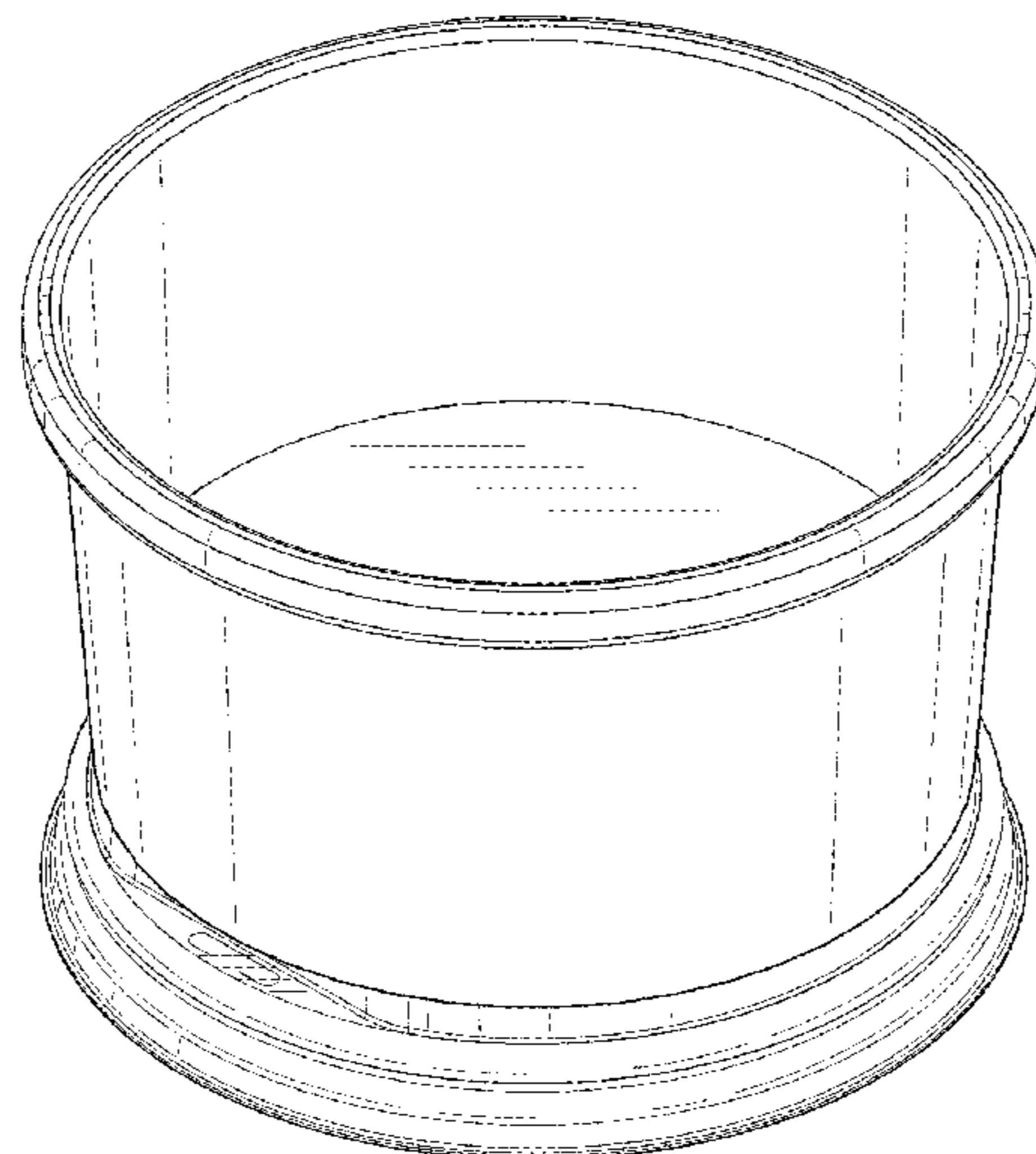
FIG. 10 is a front view thereof.

FIG. 11 is a rear view thereof; and,

FIG. 12 is a left-side view thereof; (the right-side view is a mirror image).

The small circular vent feature drawn in broken line on the central top and bottom surfaces of the beverage lid visible in FIGS. 2, 3, and 6-9 depicts portions of the article that form no part of the claimed design. The broken lines showing a beverage container, straw, and food container lid in FIGS. 4-7 depict environmental subject matter that forms no part of the claimed design.

1 Claim, 9 Drawing Sheets



(56)

References Cited

U.S. PATENT DOCUMENTS

| | | | | | | | | | | | |
|--------------|------|---------|---------------|-------|--------------|-----------|--|--|--|--|--|
| 4,794,008 | A * | 12/1988 | Schmidt | | A23G 9/48 | 219/728 | | | | | |
| 4,872,586 | A * | 10/1989 | Landis | | B65D 43/0212 | 220/380 | | | | | |
| D313,462 | S * | 1/1991 | Hart | | D23/225 | | | | | | |
| D366,615 | S * | 1/1996 | Gearin | | D9/434 | | | | | | |
| D536,579 | S * | 2/2007 | Roth | | B65D 81/3205 | D7/523 | | | | | |
| 7,217,434 | B1 * | 5/2007 | Loh | | B65D 81/3205 | 206/217 | | | | | |
| D610,875 | S * | 3/2010 | Wingfield | | D7/505 | | | | | | |
| 7,823,743 | B2 * | 11/2010 | McKahan | | B65D 71/20 | 220/212 | | | | | |
| 8,381,935 | B1 * | 2/2013 | Buck | | A47G 19/2205 | 220/212 | | | | | |
| D684,044 | S * | 6/2013 | Stowe | | D9/424 | | | | | | |
| D746,641 | S * | 1/2016 | Panone | | D7/602 | | | | | | |
| D761,104 | S * | 7/2016 | Buck | | D9/447 | | | | | | |
| D761,649 | S * | 7/2016 | Buck | | D9/447 | | | | | | |
| D783,401 | S * | 4/2017 | Way | | D7/392.1 | | | | | | |
| D784,072 | S * | 4/2017 | Baron | | D7/392.1 | | | | | | |
| D785,887 | S * | 5/2017 | Bechtold, Jr. | | D32/53 | | | | | | |
| 2005/0224503 | A1 * | 10/2005 | Dantani | | B65D 43/0212 | 220/711 | | | | | |
| 2008/0105681 | A1 * | 5/2008 | Vovan | | B65D 21/0222 | 220/288 | | | | | |
| 2009/0283526 | A1 * | 11/2009 | Pierce | | A47G 19/22 | 220/254.7 | | | | | |
| 2011/0284537 | A1 * | 11/2011 | Cerasani | | B65D 1/34 | 220/212 | | | | | |
| 2011/0309093 | A1 * | 12/2011 | Buck | | A47G 19/2205 | 220/711 | | | | | |
| 2012/0152968 | A1 * | 6/2012 | Bailey | | B65D 43/0212 | 220/713 | | | | | |
| 2013/0047559 | A1 * | 2/2013 | Minnette | | B65D 43/0212 | 53/471 | | | | | |
| 2013/0056463 | A1 * | 3/2013 | Buck | | A47G 19/065 | 220/23.83 | | | | | |
| 2015/0251818 | A1 * | 9/2015 | Strachan | | B65D 43/0208 | 220/254.8 | | | | | |
| 2016/0009465 | A1 * | 1/2016 | Pan | | B65D 51/28 | 220/212 | | | | | |
| 2016/0051071 | A1 * | 2/2016 | Buck | | A47G 21/187 | 239/33 | | | | | |
| 2016/0058223 | A1 * | 3/2016 | Savenok | | B65D 43/0212 | 220/713 | | | | | |
| 2016/0114947 | A1 * | 4/2016 | Buck | | A47G 19/2205 | 220/713 | | | | | |

* cited by examiner

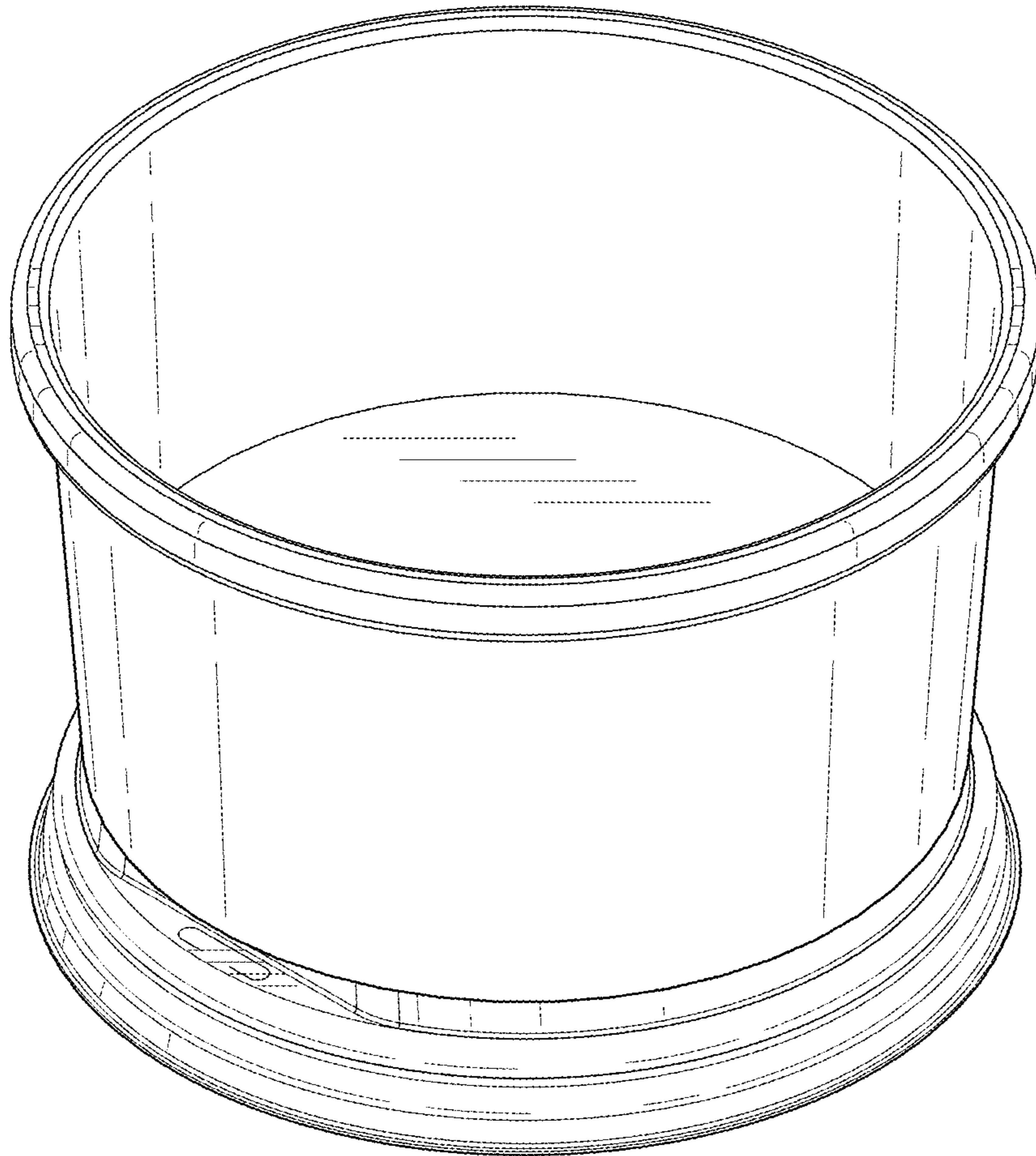


FIG. 1

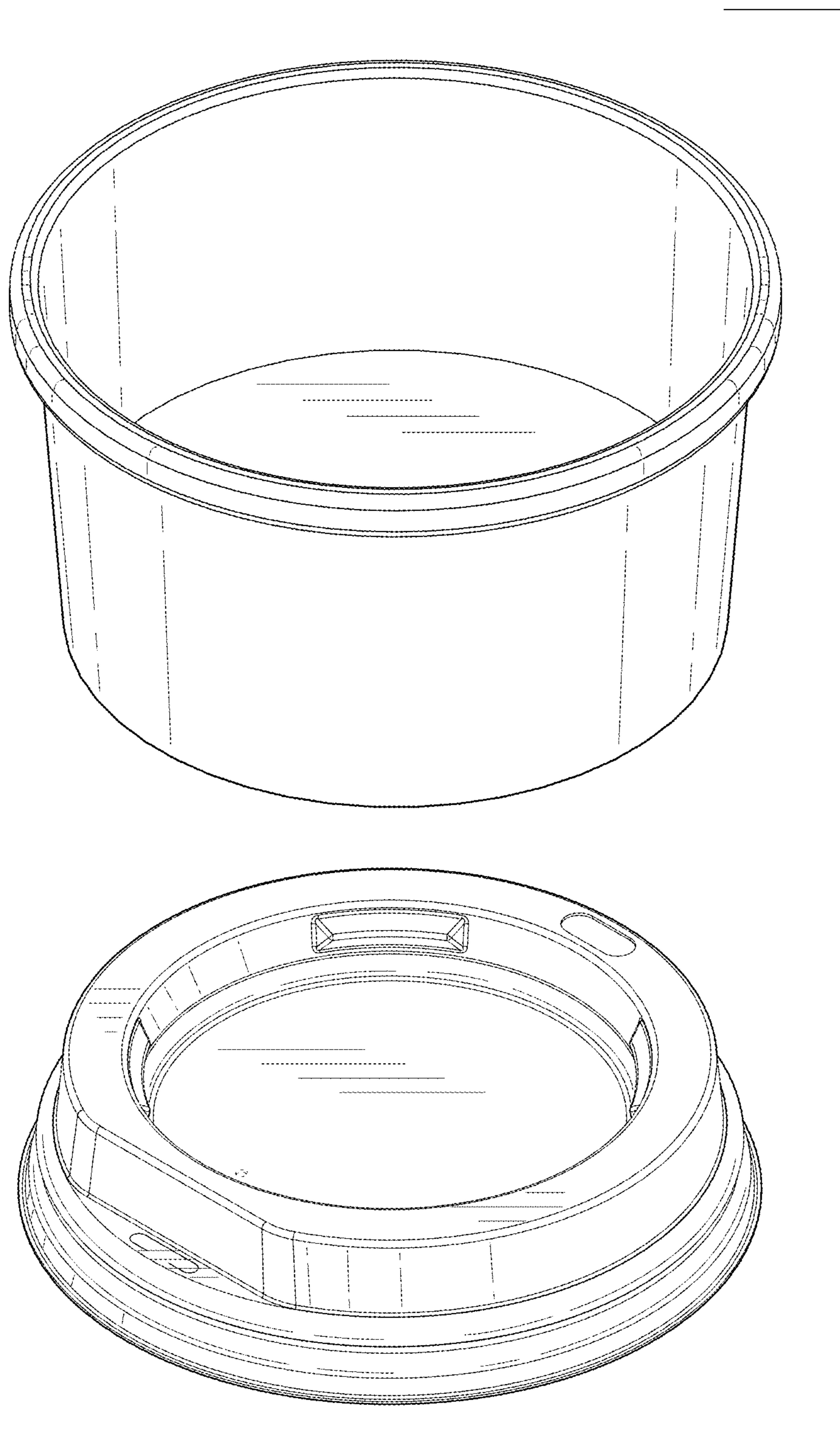


FIG. 2

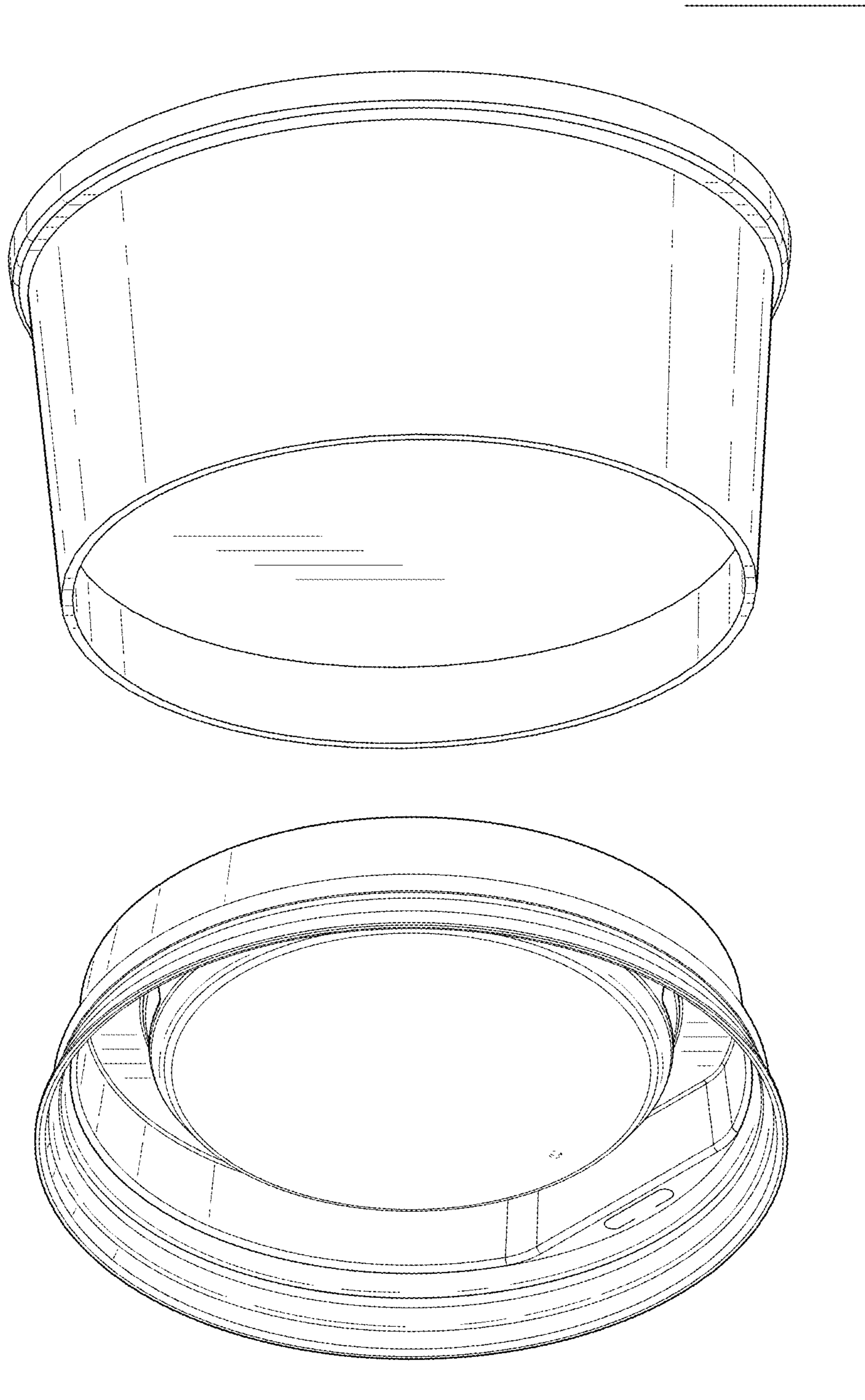


FIG. 3

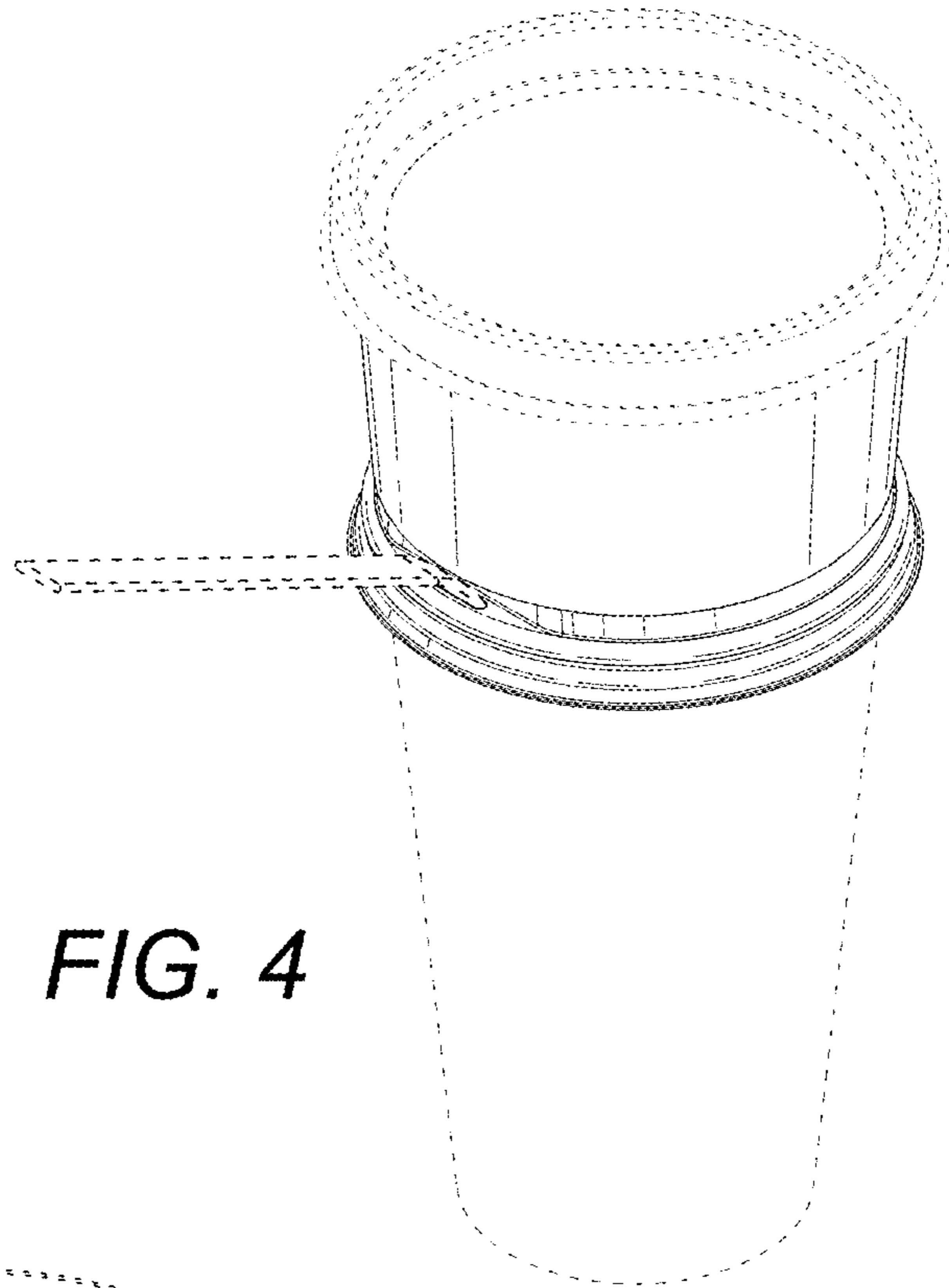


FIG. 4

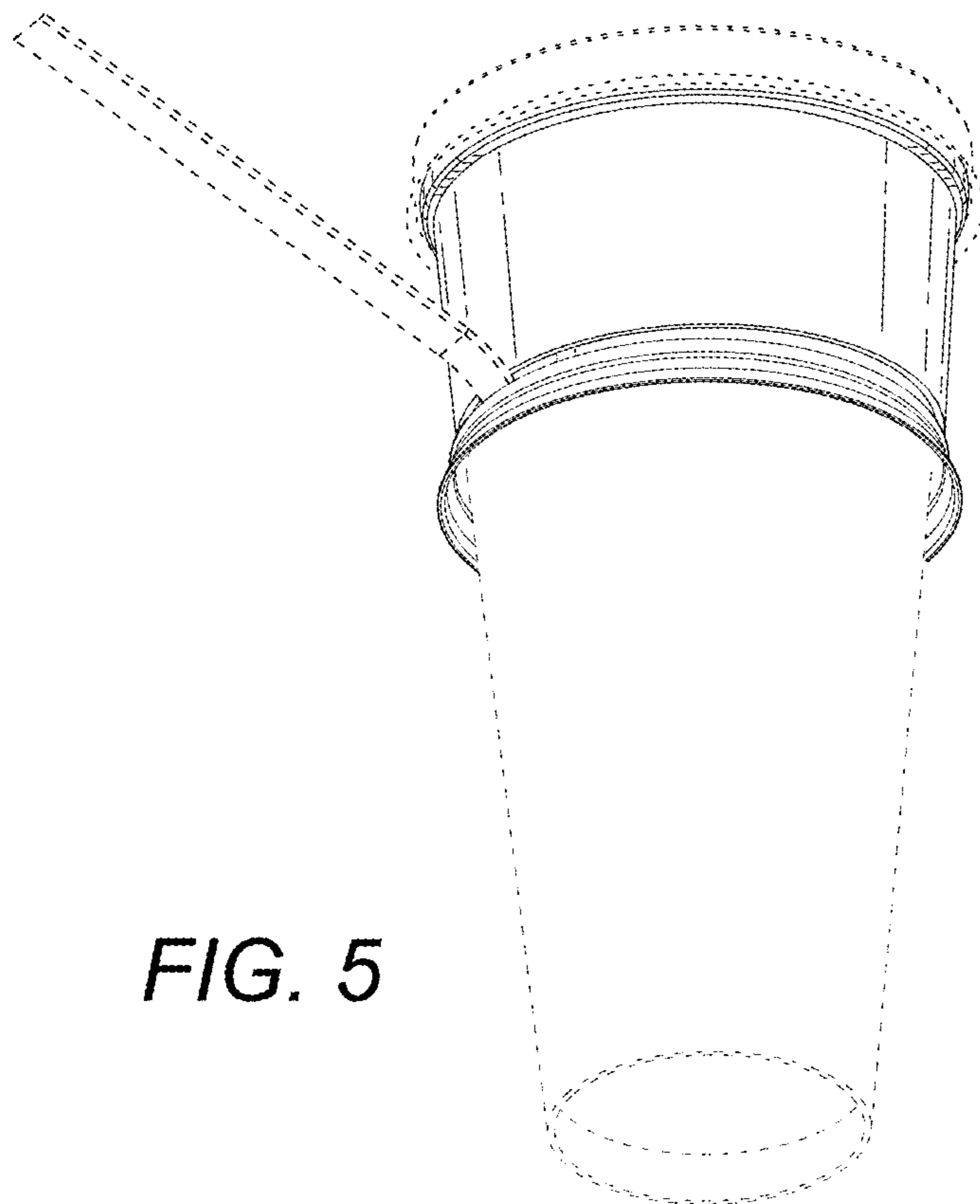
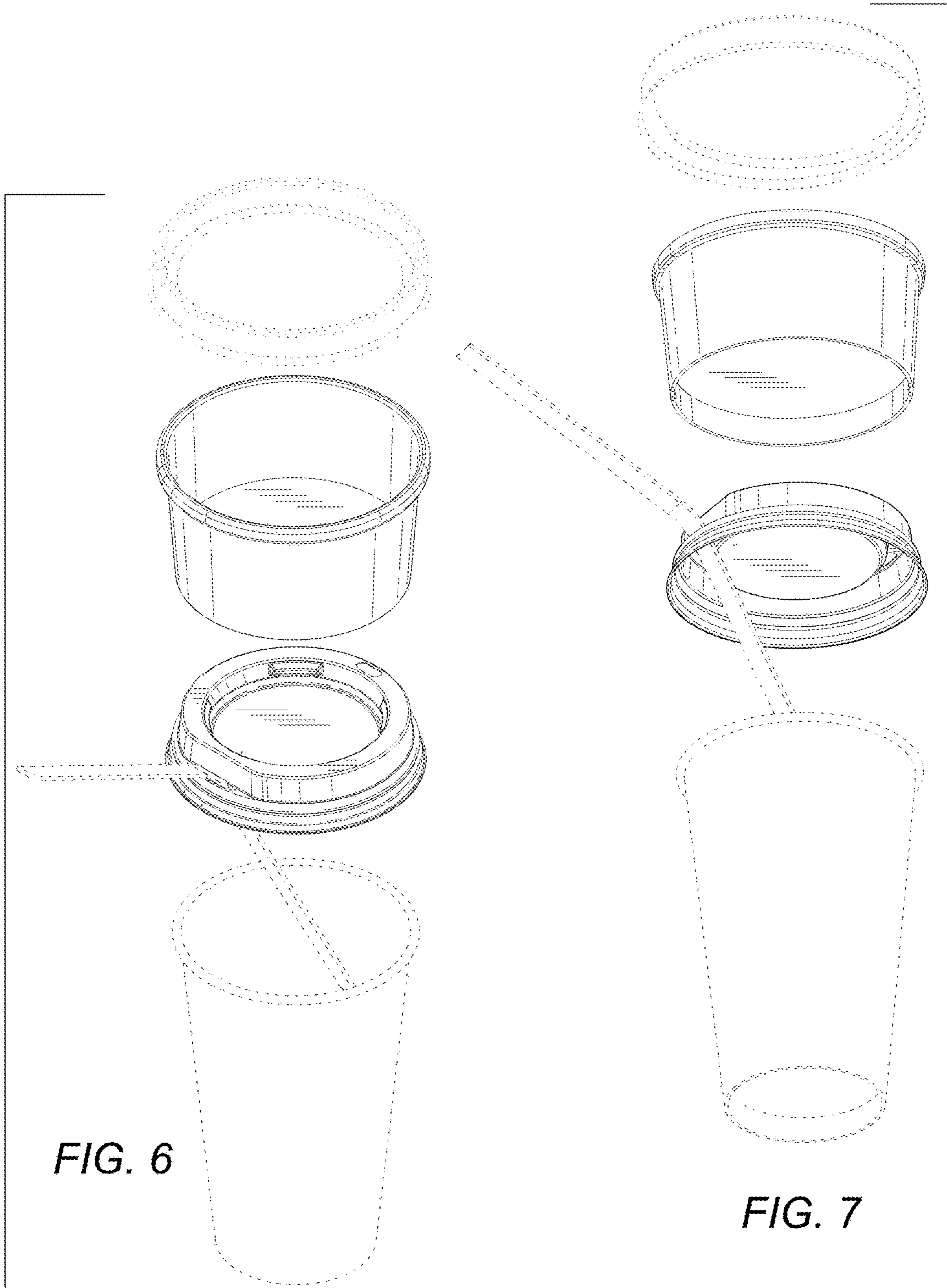


FIG. 5



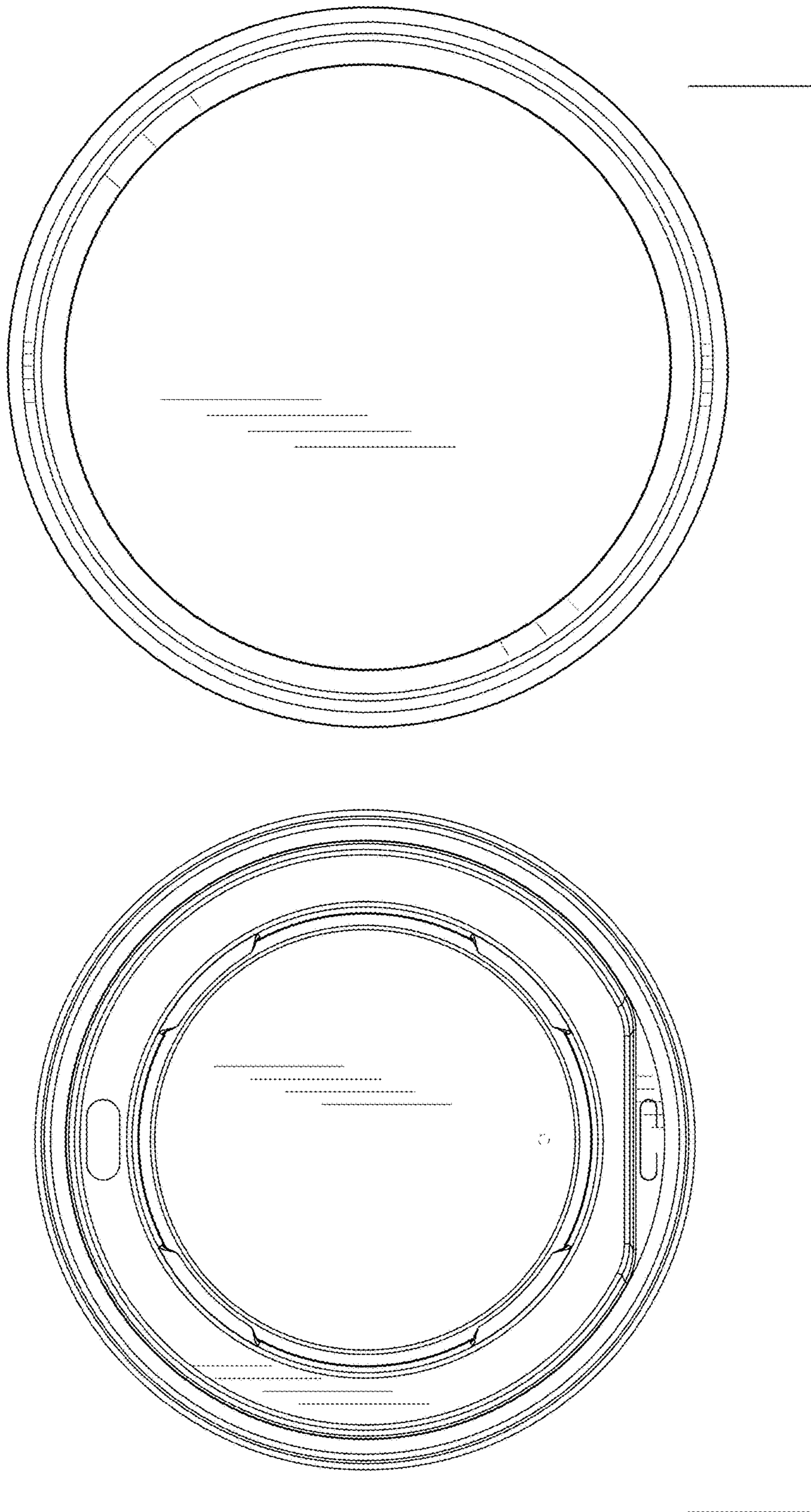


FIG. 8

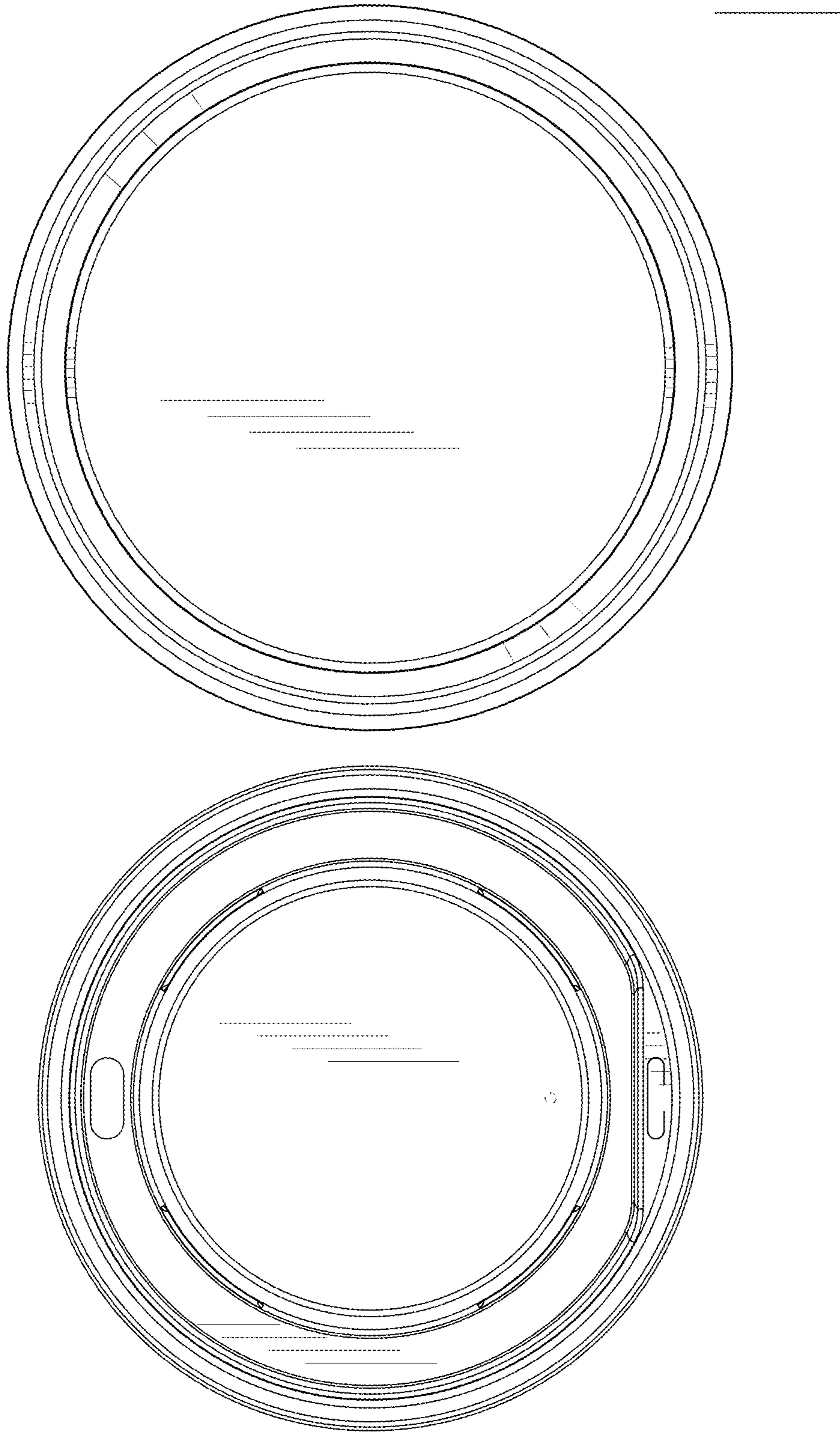


FIG. 9

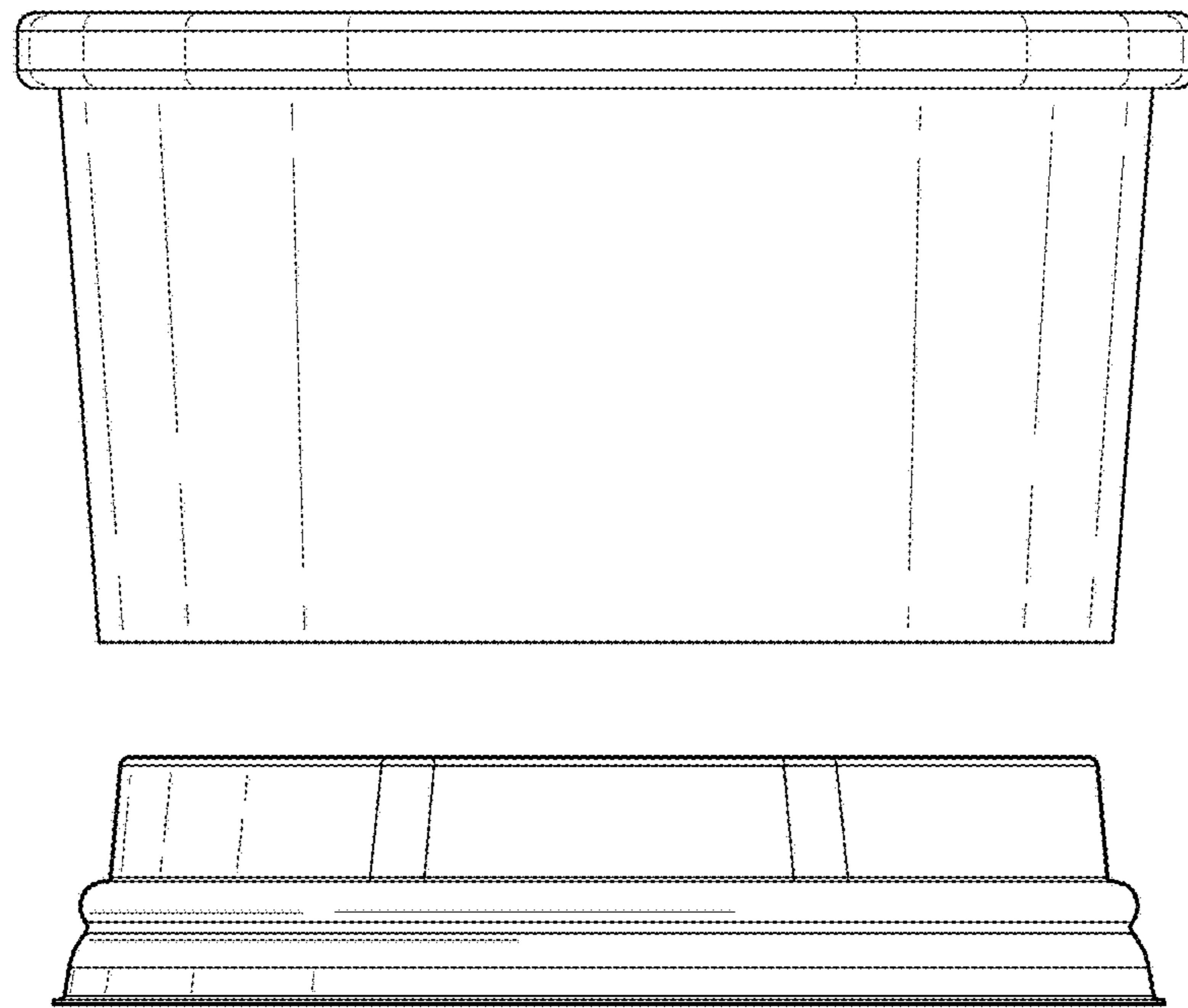


FIG. 10

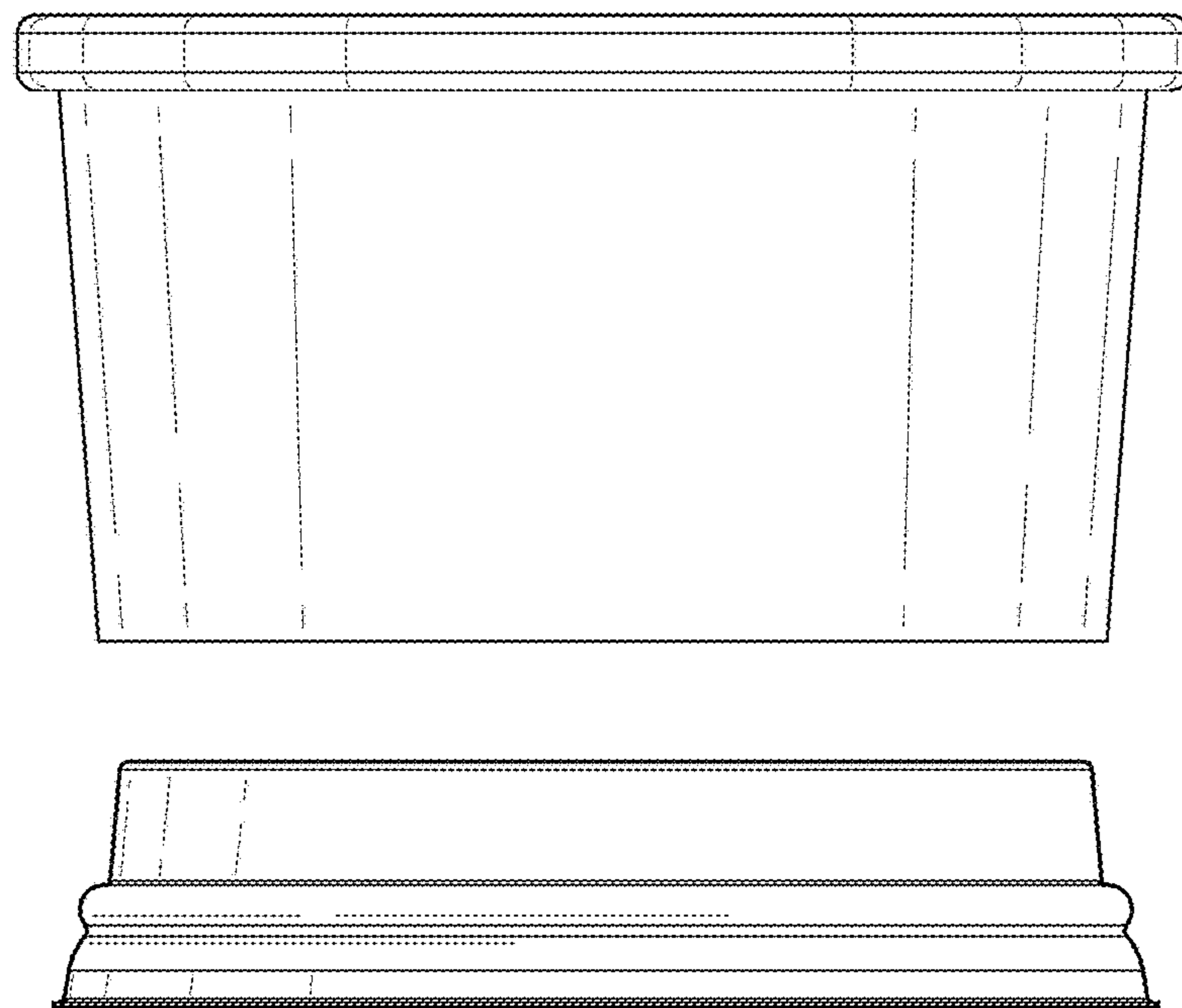


FIG. 11

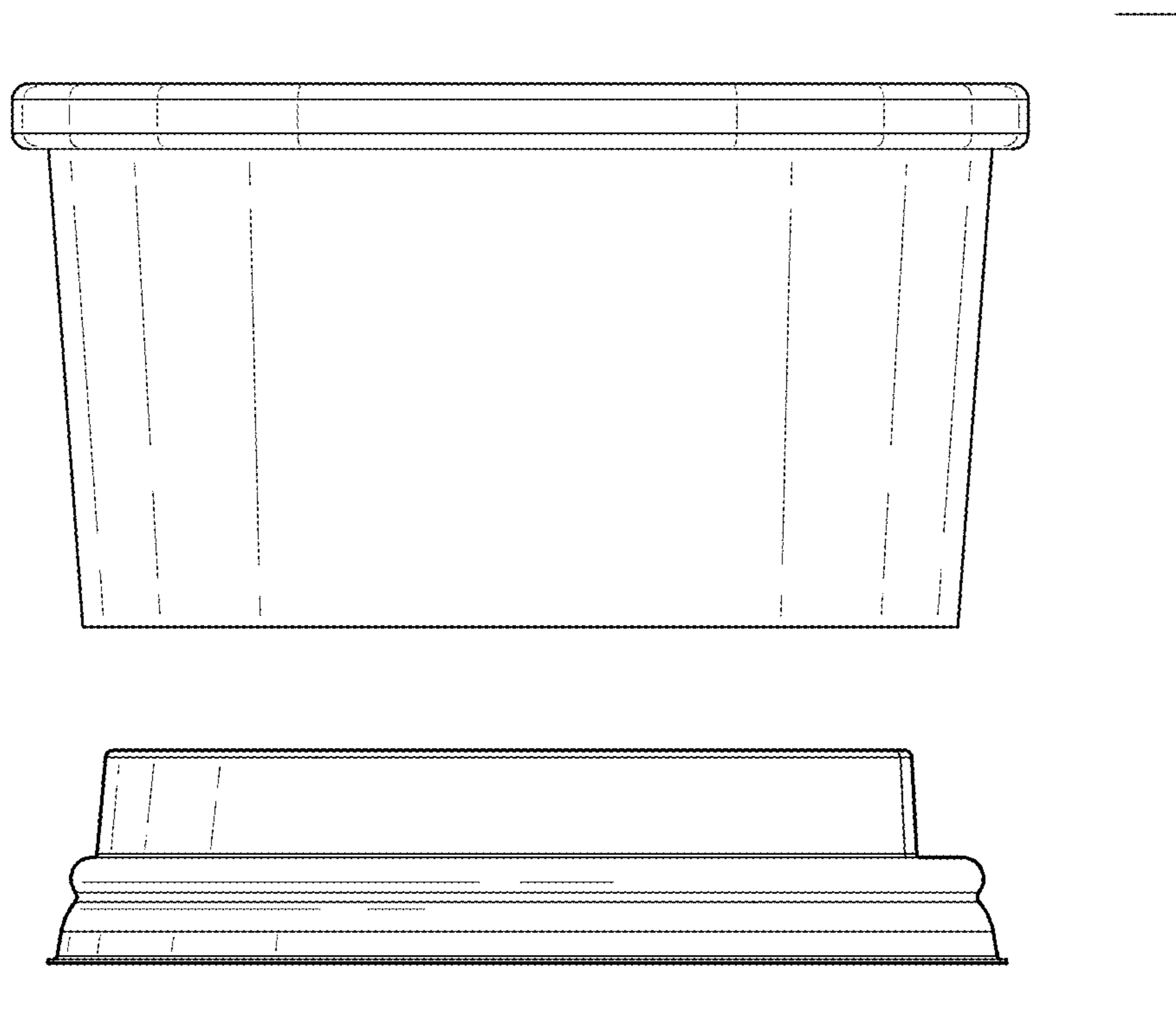


FIG. 12