



US00D792764S

(12) **United States Design Patent** (10) **Patent No.:** **US D792,764 S**
Jacobs (45) **Date of Patent:** **** Jul. 25, 2017**

(54) **SPRAY CAP**
(71) Applicant: **Michael Jacobs**, Johnsbury, IL (US)
(72) Inventor: **Michael Jacobs**, Johnsbury, IL (US)
(73) Assignee: **Pro Form Products Ltd.**, Milton, Ontario (CA)
(**) Term: **14 Years**
(21) Appl. No.: **29/525,090**
(22) Filed: **Apr. 27, 2015**
(51) **LOC (10) Cl.** **09-07**
(52) **U.S. Cl.**
USPC **D9/448**
(58) **Field of Classification Search**
USPC D7/213, 387, 392.1, 397, 398; D9/417, D9/423, 434, 435, 436, 440, 447, 448, D9/449, 454, 682, 685, 686, 724, 725, D9/730, 745, 906; D23/206, 211.1, 213, D23/223, 225, 226, 229, 231; D24/113, D24/224; D3/201, 202, 203.1; D6/542, D6/543, 544, 545; D15/7, 9, 9.1; 40/307; 222/207, 321.1, 321.7, 321.9, 222/383.1, 383.2, 383.3; 239/331, 333
CPC ... B05B 12/00; B05B 11/059; B05B 11/3005; B05B 11/3028; B05B 11/3029; B05B 11/3056; B05B 1/22; B05B 3/00; B05B 7/00; B67D 7/005; B67D 7/60; A45D 34/00; A45D 34/042; A45D 40/22
See application file for complete search history.

(56) **References Cited**
U.S. PATENT DOCUMENTS
D208,224 S * 8/1967 Crowell D9/448
D277,648 S * 2/1985 Jones D9/445
D308,944 S * 7/1990 Lasorso, Jr. D9/448
D381,909 S * 8/1997 Sayers D9/447

6,401,990 B1 * 6/2002 Walters B65D 83/20
222/321.1
D488,379 S * 4/2004 Healy D9/448
D494,065 S * 8/2004 Hook D9/435
D526,900 S * 8/2006 Shieh D9/445
D527,256 S * 8/2006 Gieske D9/445
D529,381 S * 10/2006 Castillo Higareda D9/448
D566,550 S 4/2008 Jacobs
D567,651 S * 4/2008 Bloc D9/448
D580,755 S * 11/2008 Campbell D9/435
D592,055 S * 5/2009 Goulet D9/445
D596,939 S * 7/2009 Moretti D9/435
D627,638 S * 11/2010 Bodet D9/448
7,886,941 B2 * 2/2011 Pietrowski B05B 1/323
222/321.7
D634,194 S * 3/2011 Driskell D9/445
D635,021 S * 3/2011 Geier D9/448
D665,668 S * 8/2012 Cho D9/448
D717,168 S * 11/2014 Ferman D9/435
2003/0034362 A1 * 2/2003 Blake B05B 9/0883
222/321.9

(Continued)

Primary Examiner — Thomas Johannes
Assistant Examiner — Catherine Posthauer
(74) *Attorney, Agent, or Firm* — Fay Sharpe LLP; James E. Scarbrough

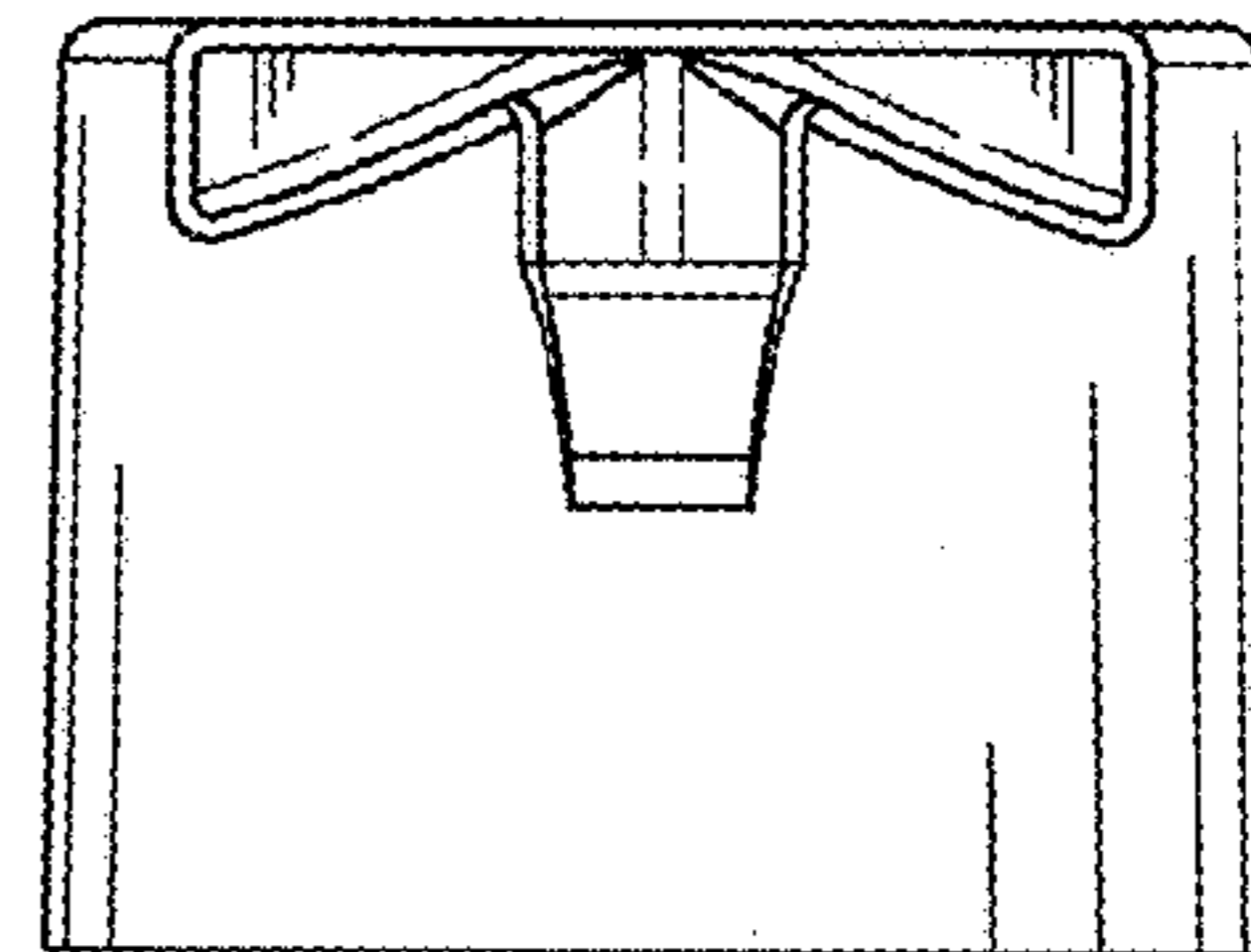
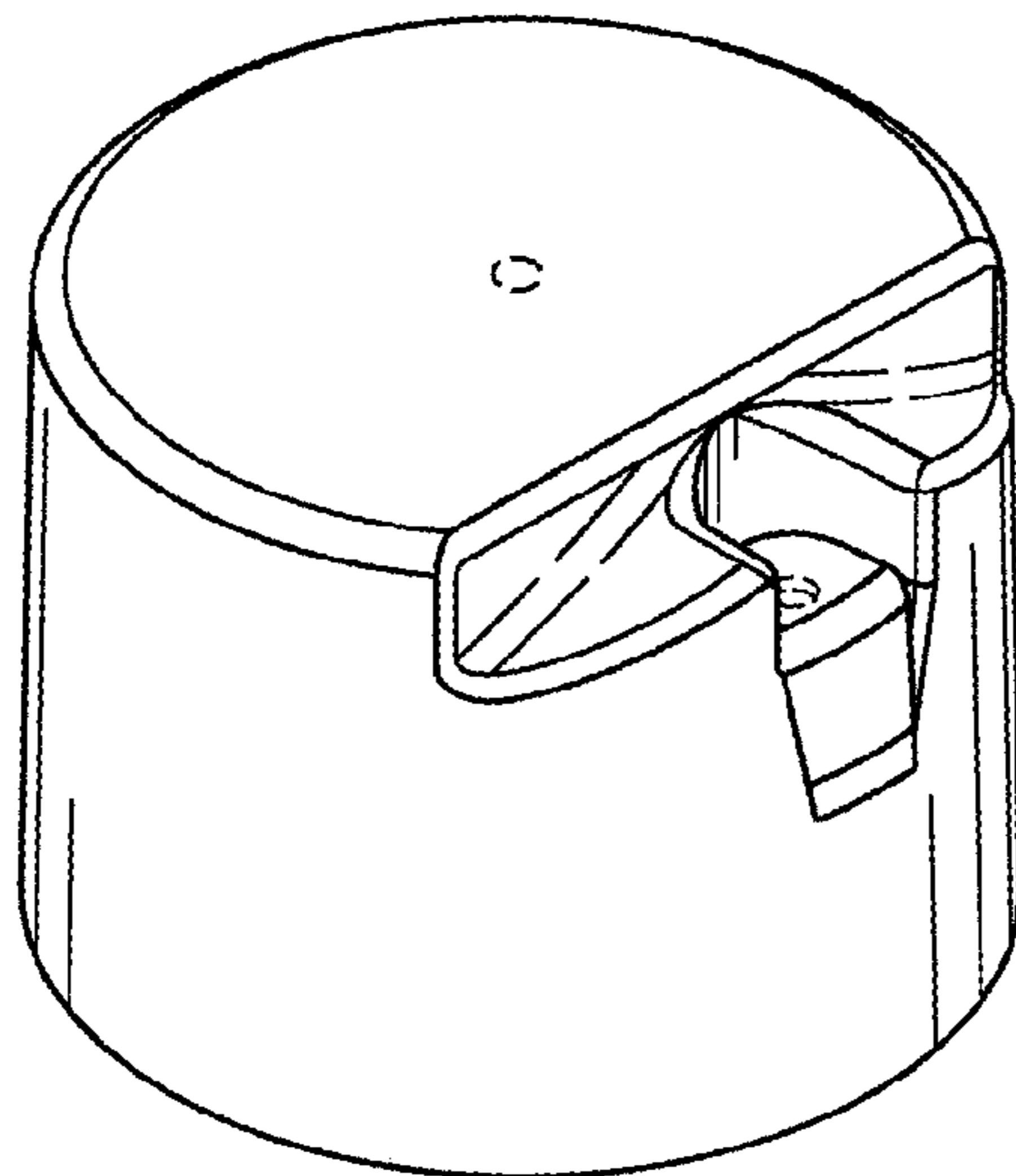
(57) **CLAIM**

The ornamental design for a spray cap, as shown and described.

DESCRIPTION

FIG. 1 is a top perspective view of a spray cap in accordance with my new design;
FIG. 2 is a bottom perspective view thereof;
FIG. 3 is a front elevational view thereof;
FIG. 4 is a right side elevational view thereof;
FIG. 5 is a top plan view thereof; and,
FIG. 6 is a bottom plan view thereof.
The broken lines are shown for the purpose of illustrating parts of the spray cap that form no part of the claim.

1 Claim, 2 Drawing Sheets



(56)

References Cited

U.S. PATENT DOCUMENTS

2008/0164285 A1* 7/2008 Hygema B65D 83/205
222/153.11
2009/0255958 A1* 10/2009 Santoni B05B 11/0008
222/321.1

* cited by examiner

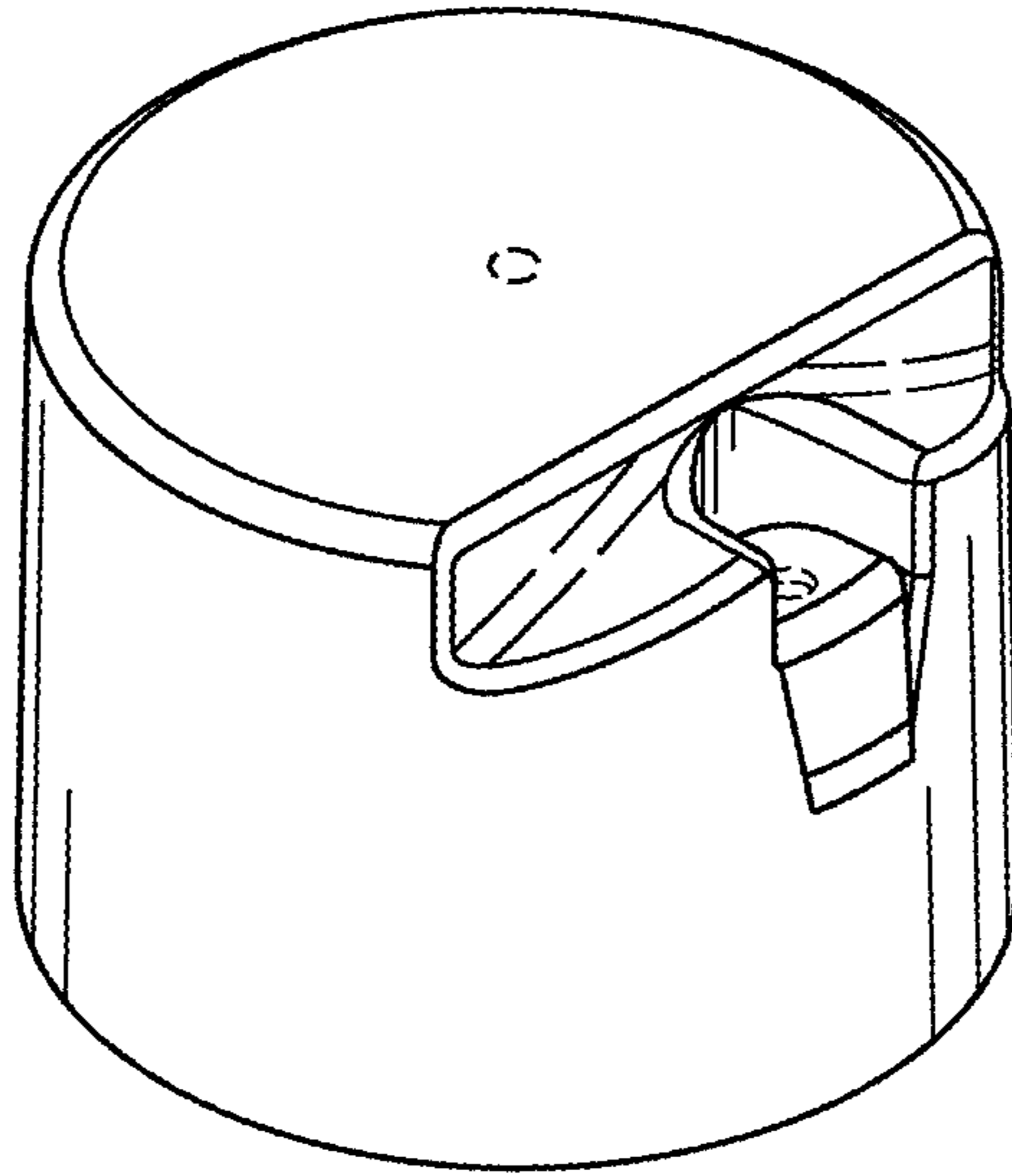


FIG. 1

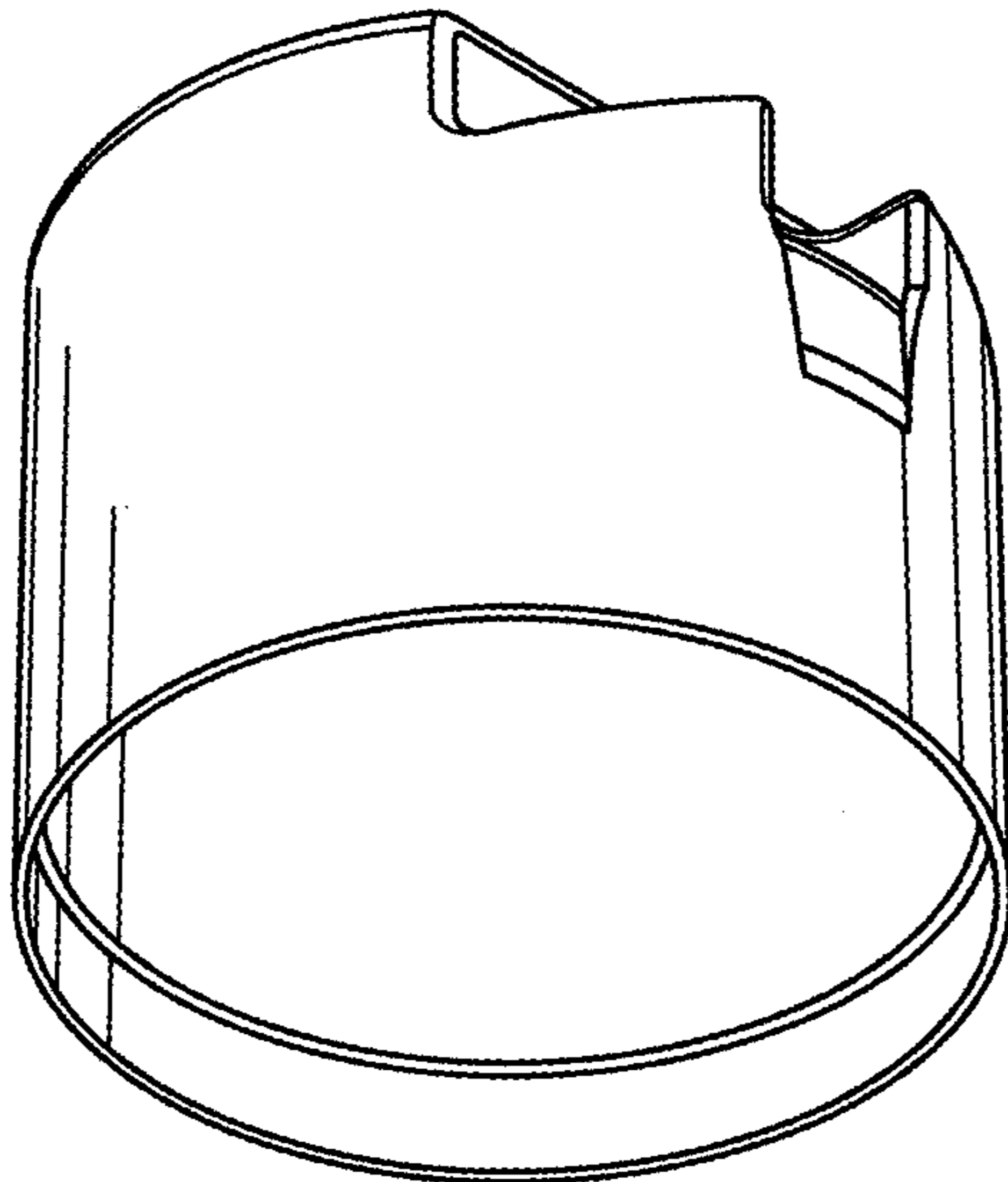


FIG. 2

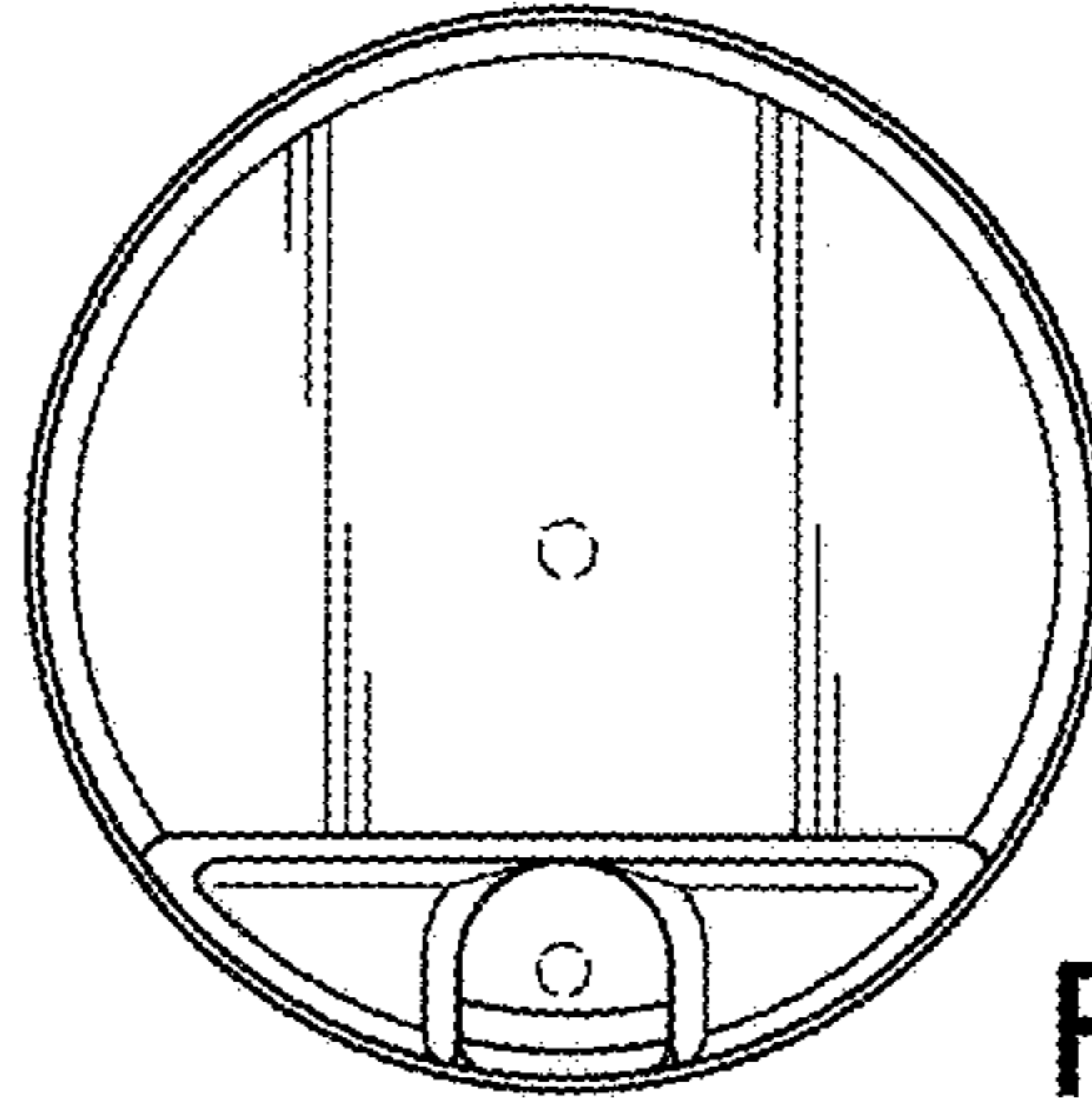


FIG. 5

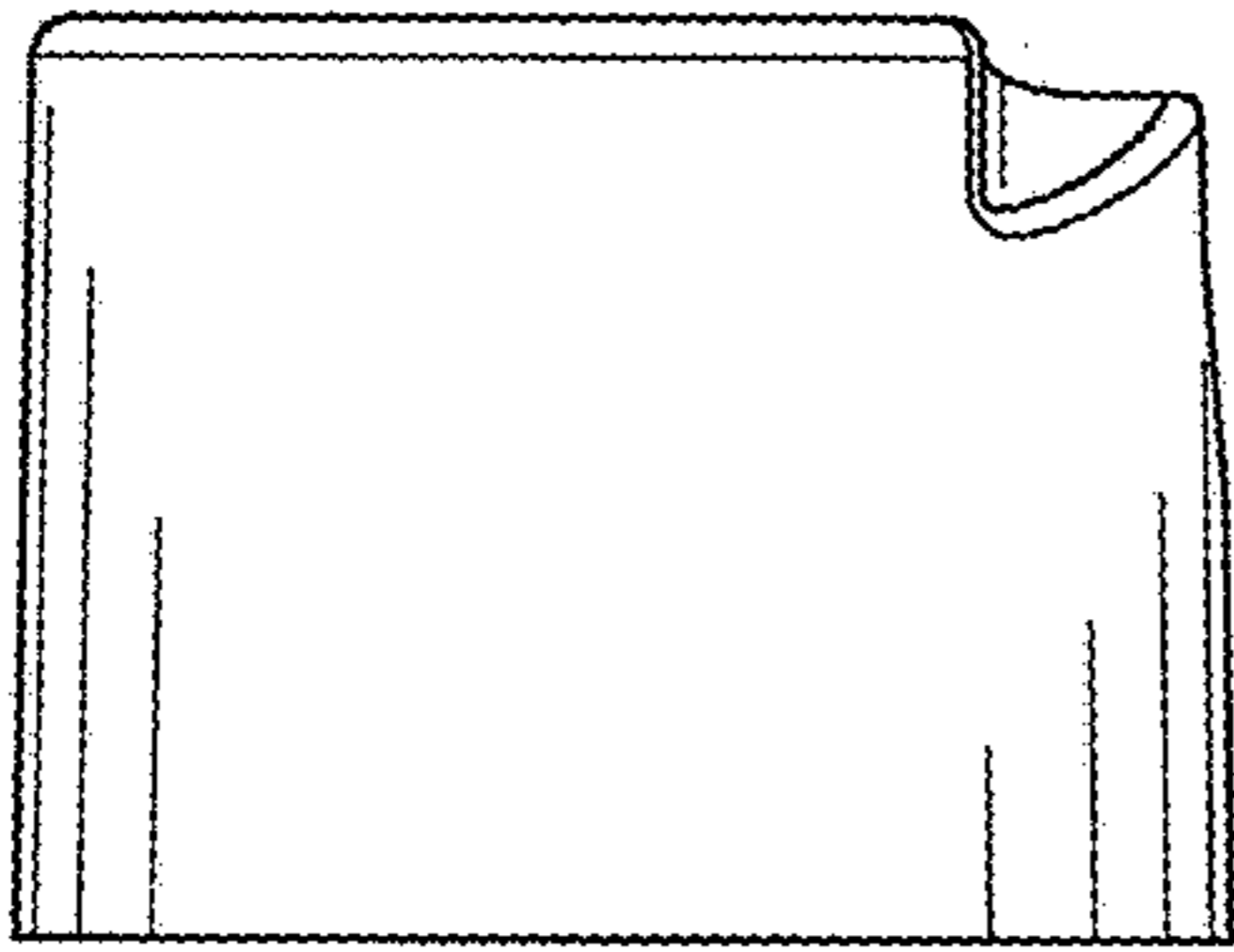


FIG. 4

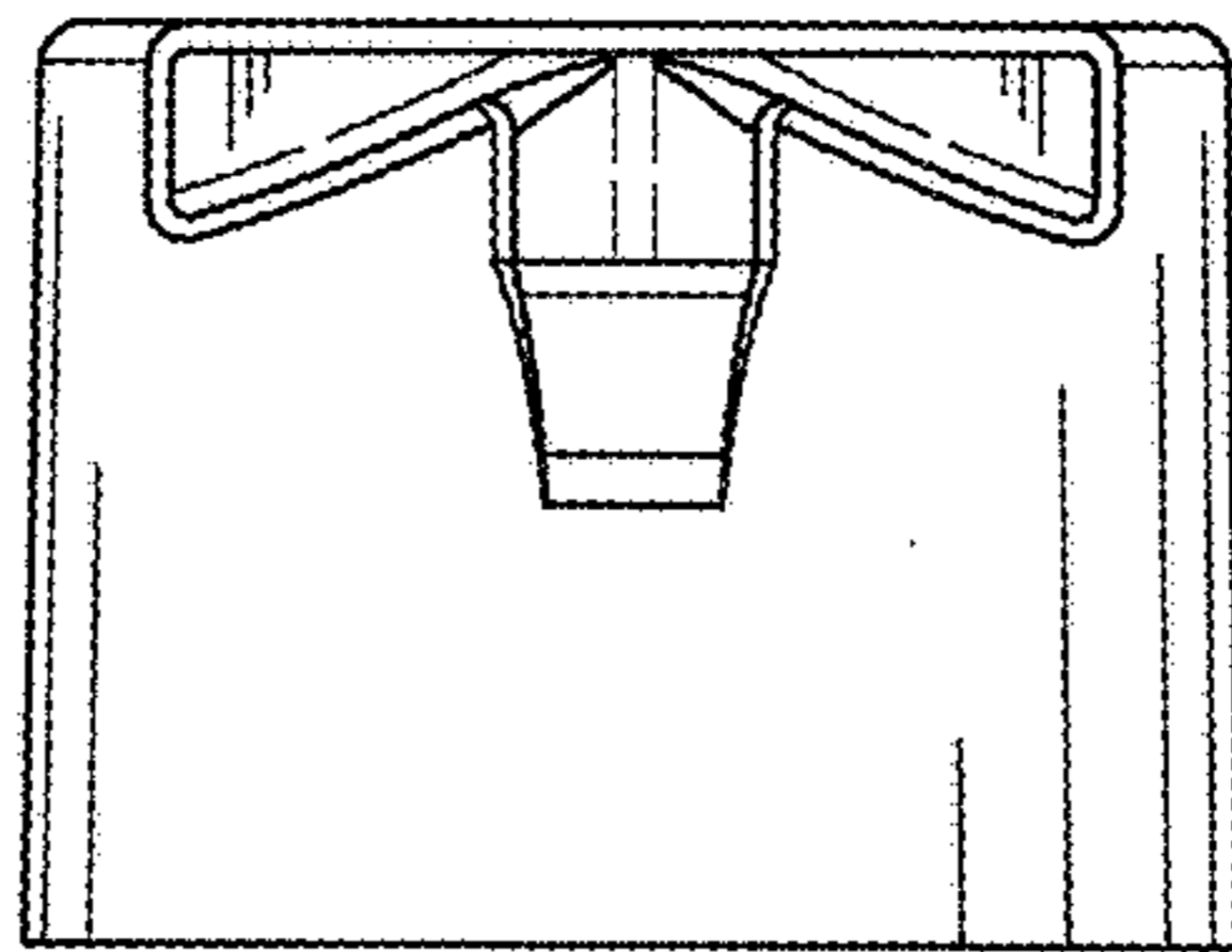


FIG. 3

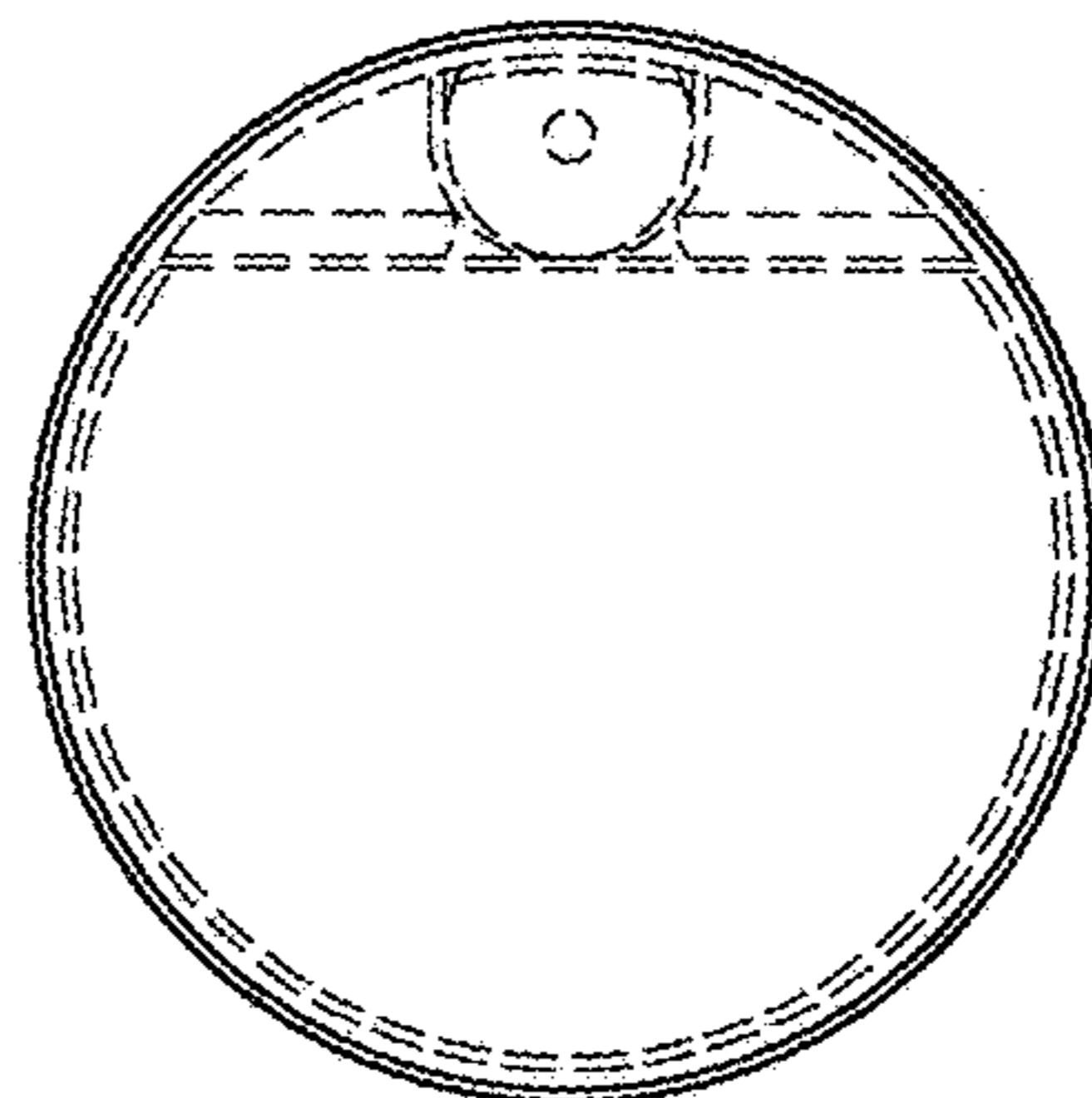


FIG. 6