



US00D792761S

(12) **United States Design Patent** (10) **Patent No.:** **US D792,761 S**
Duval et al. (45) **Date of Patent:** **** Jul. 25, 2017**

(54) **PACKAGING CARTON**
(71) Applicant: **TAKEAWAY**, Sainte Foy les Lyons (FR)
(72) Inventors: **Nicolas Duval**, Ste Foy les Lyon (FR);
Victor Marostegan, Andilly (FR);
Ludivine Vajou, Lyons (FR)

D684,858 S * 6/2013 Sill D9/421
D695,104 S * 12/2013 Sill D9/418
D713,721 S * 9/2014 Graves D9/432
D752,429 S * 3/2016 Mayer D9/420
D755,624 S * 5/2016 Ng D9/431
D764,281 S * 8/2016 Mayer D9/420
D769,114 S * 10/2016 Montemayor D9/431

(Continued)

(73) Assignee: **TAKEAWAY**, Sainte Foy les Lyons (FR)

(**) Term: **15 Years**

(21) Appl. No.: **29/554,094**

(22) Filed: **Feb. 8, 2016**

(30) **Foreign Application Priority Data**

Jun. 11, 2015 (EM) 002717470-0001

(51) **LOC (10) Cl.** **09-03**

(52) **U.S. Cl.**
USPC **D9/431**

(58) **Field of Classification Search**
USPC D9/414-434, 442-445, 456, 457, 542,
D9/563, 600, 614-624, 655, 657, 658,
D9/661, 695, 697-699, 707, 708, 711,
D9/759, 772-776; D3/273, 276, 304,
D3/310-313; D7/601, 602
CPC B65D 5/00; B65D 5/001; B65D 5/0015;
B65D 5/1209; B65D 5/0227-5/0254;
B65D 5/18

See application file for complete search history.

(56) **References Cited**

U.S. PATENT DOCUMENTS

D259,615 S * 6/1981 Morris, Jr. D3/288
5,411,204 A * 5/1995 DeMay B65D 5/2047
229/114
D457,028 S * 5/2002 Beutler D6/407
D519,366 S * 4/2006 Epstein D9/431

OTHER PUBLICATIONS

1 Result. [online] Published date unknown. Retrieved on Nov. 16, 2016 from <URL: <https://tineye.com/search/58a8047ee313f94c64996b6adef2af3503311cf8/?pluginver=chrome-1.1.5>>.*

(Continued)

Primary Examiner — Vy Koenig
Assistant Examiner — Omeed Agilee
(74) *Attorney, Agent, or Firm* — Young & Thompson

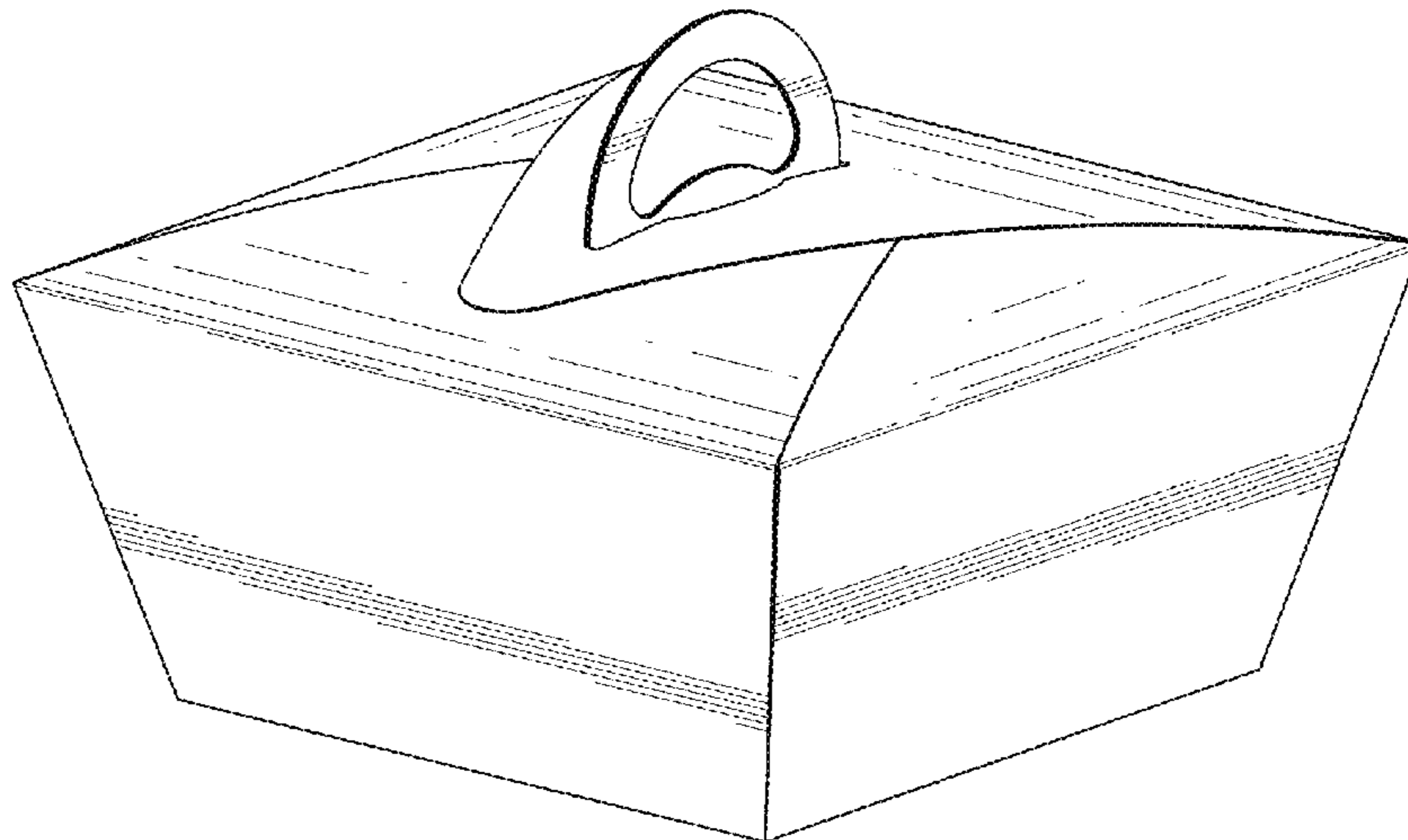
(57) **CLAIM**

The ornamental design for a packaging carton, as shown and described.

DESCRIPTION

FIG. 1 is a front, left side and top perspective view of a packaging carton showing the new design;
FIG. 2 is a top plan view thereof;
FIG. 3 is a bottom plan view thereof;
FIG. 4 is a left side elevation view thereof, wherein the right side elevation view is a mirror image of this view;
FIG. 5 is a rear elevation view thereof;
FIG. 6 is a front elevation view thereof;
FIG. 7 is a top plan view thereof in an alternate configuration wherein the top is partially opened;
FIG. 8 is a top perspective view thereof in a second alternate configuration thereof wherein the top is partially opened; and,
FIG. 9 is a top perspective view thereof in a third alternate configuration wherein the top is fully opened.

1 Claim, 6 Drawing Sheets



(56)

References Cited

U.S. PATENT DOCUMENTS

D770,911 S * 11/2016 Perez D9/433
2014/0263600 A1 * 9/2014 Valencia B65D 5/244
229/155

OTHER PUBLICATIONS

Specialty Style Tulip Cardboard Pouch-Box. [online] Published date unknown. Retrieved on Nov. 16, 2016 from <URL: <http://www.usbox.com/Boxes/Purse-and-Specialty-Style-Cardboard-Pouches/1LV-P/>>.*

* cited by examiner

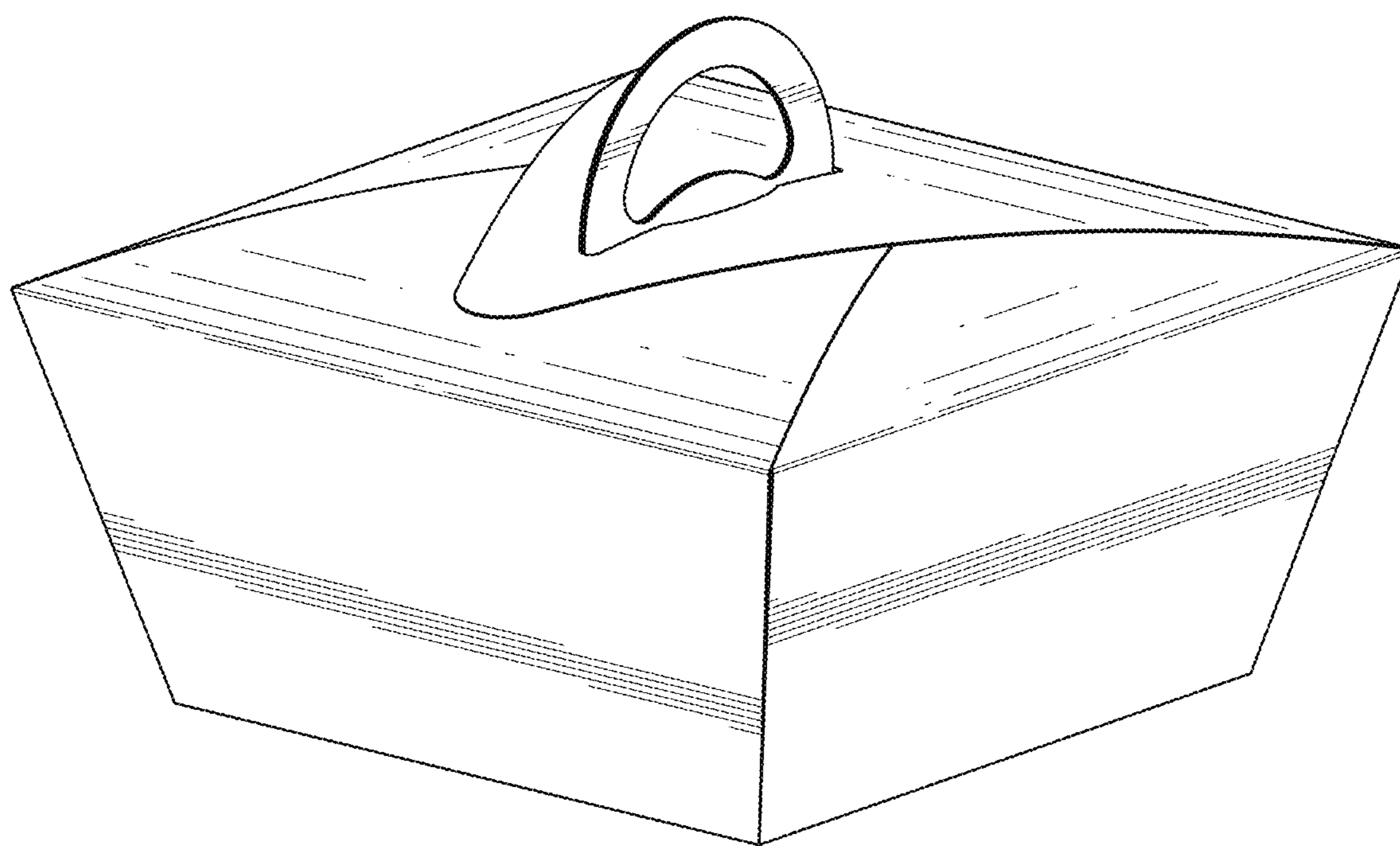


FIG. 1

FIG. 2

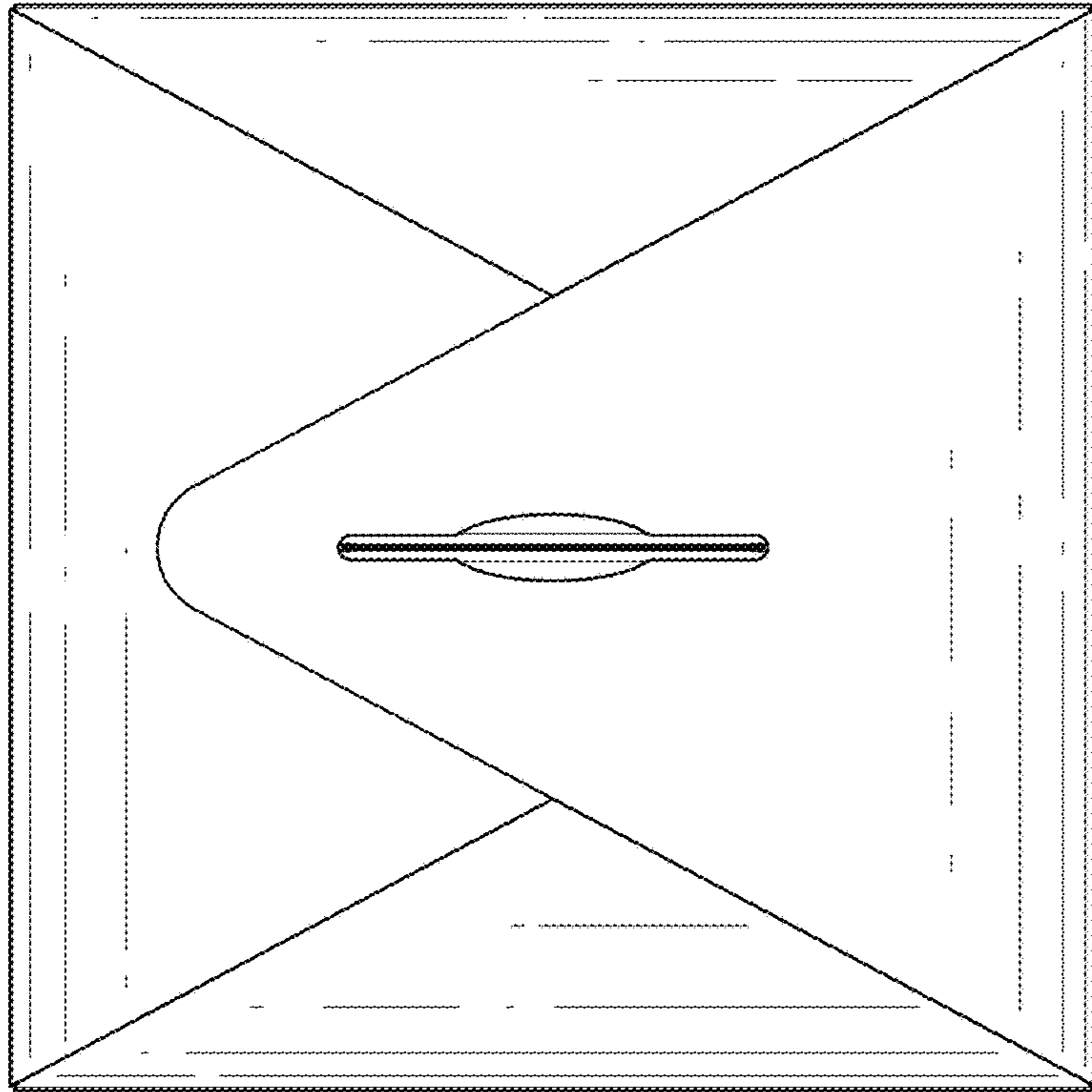
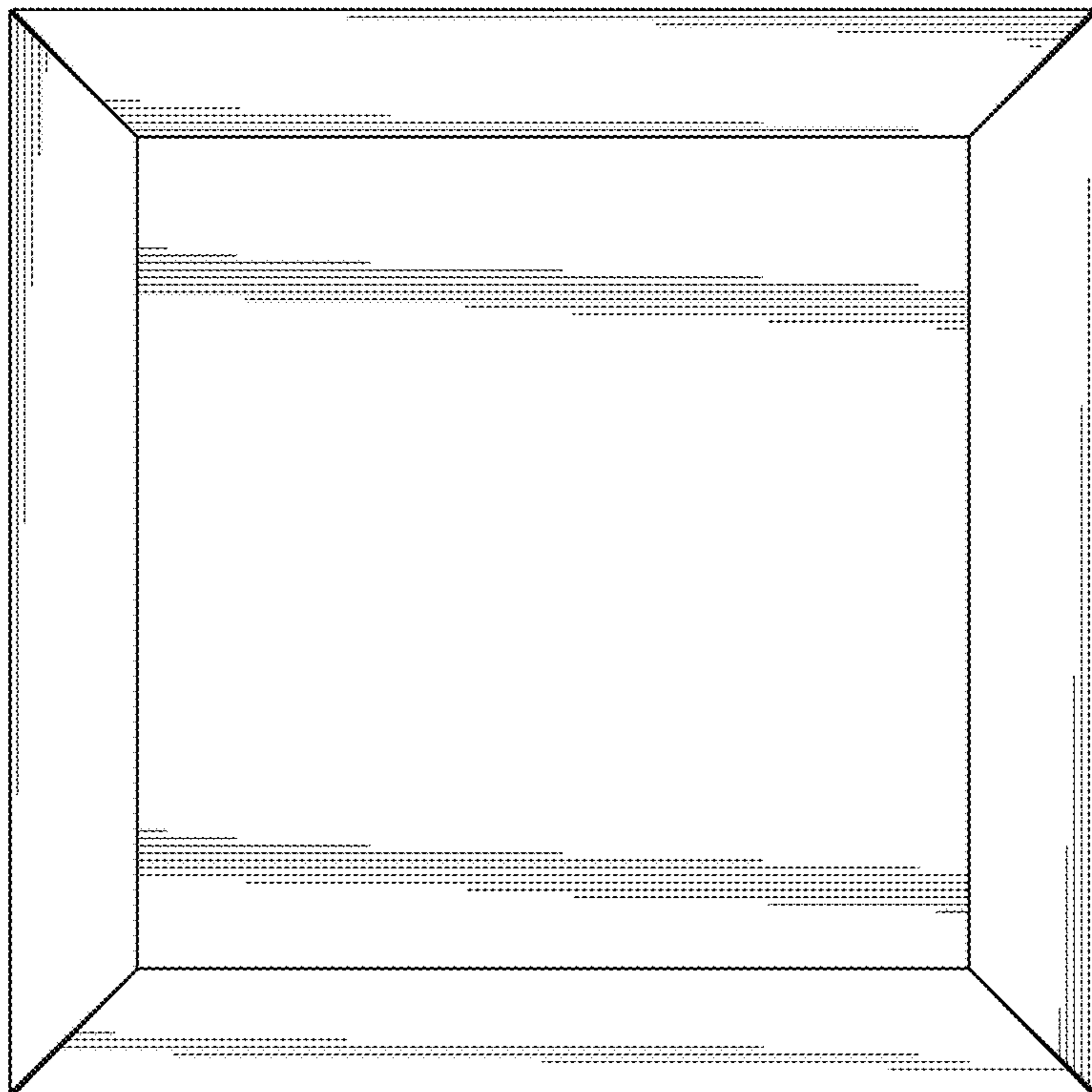


FIG. 3



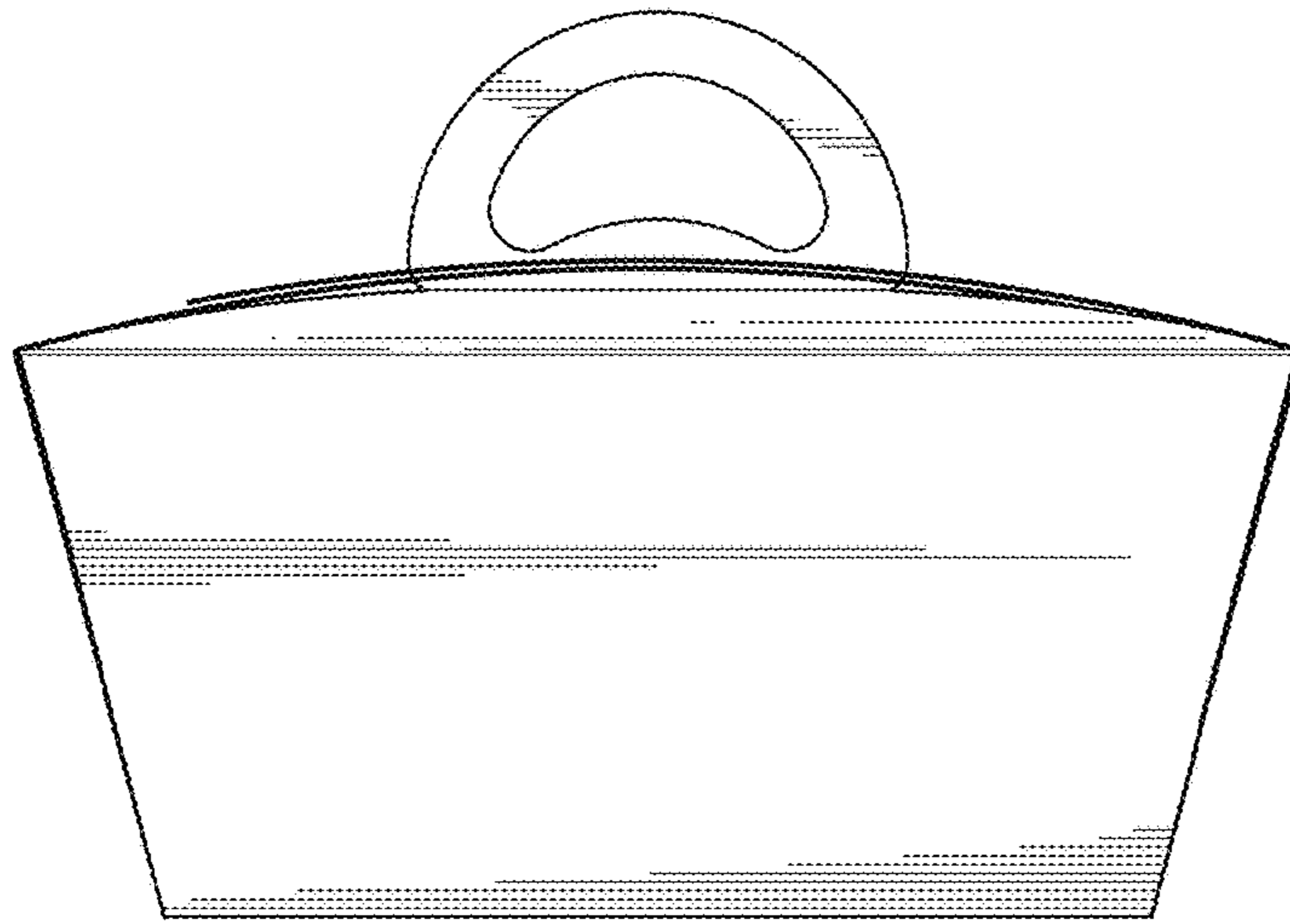


FIG. 4

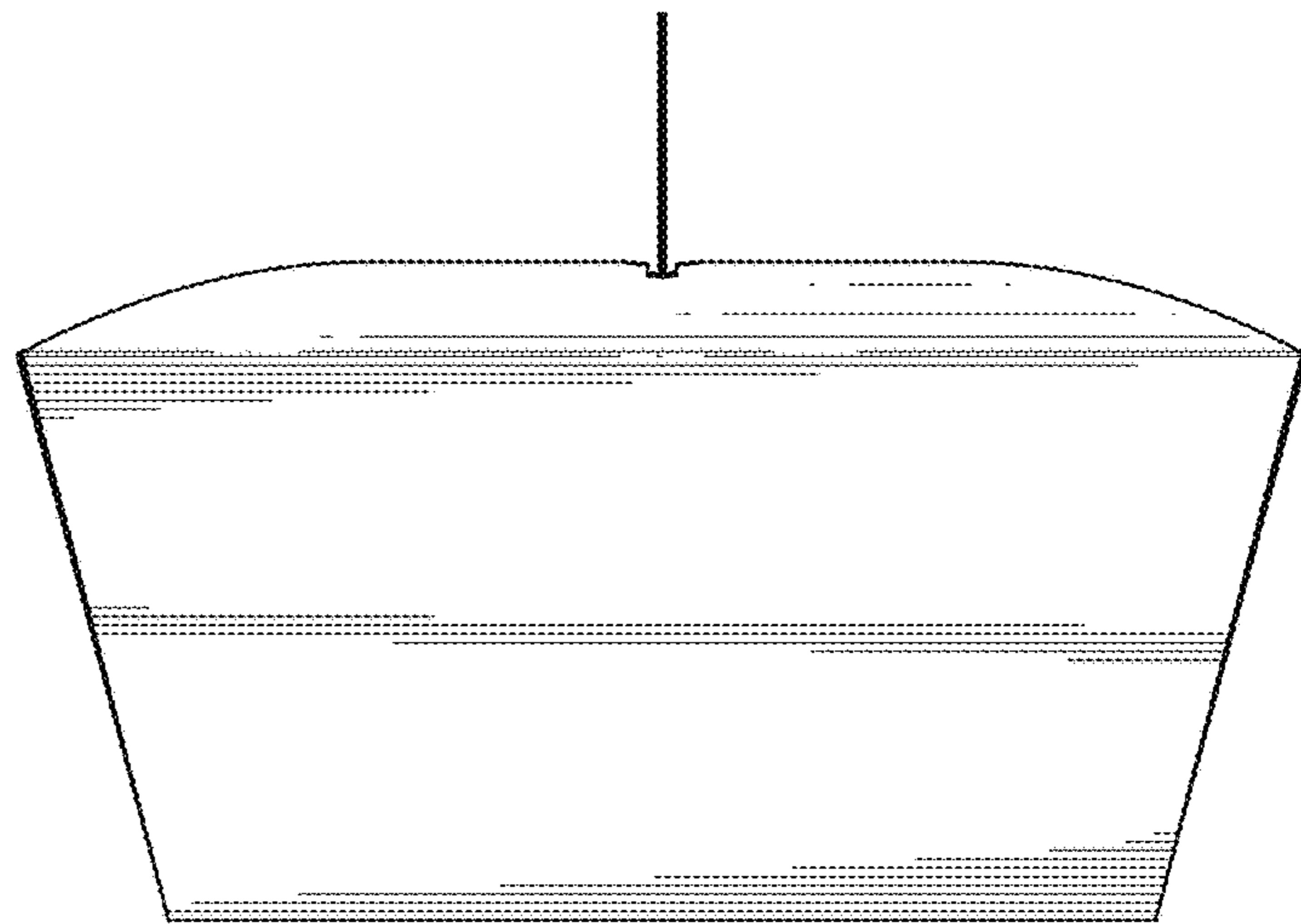


FIG. 5

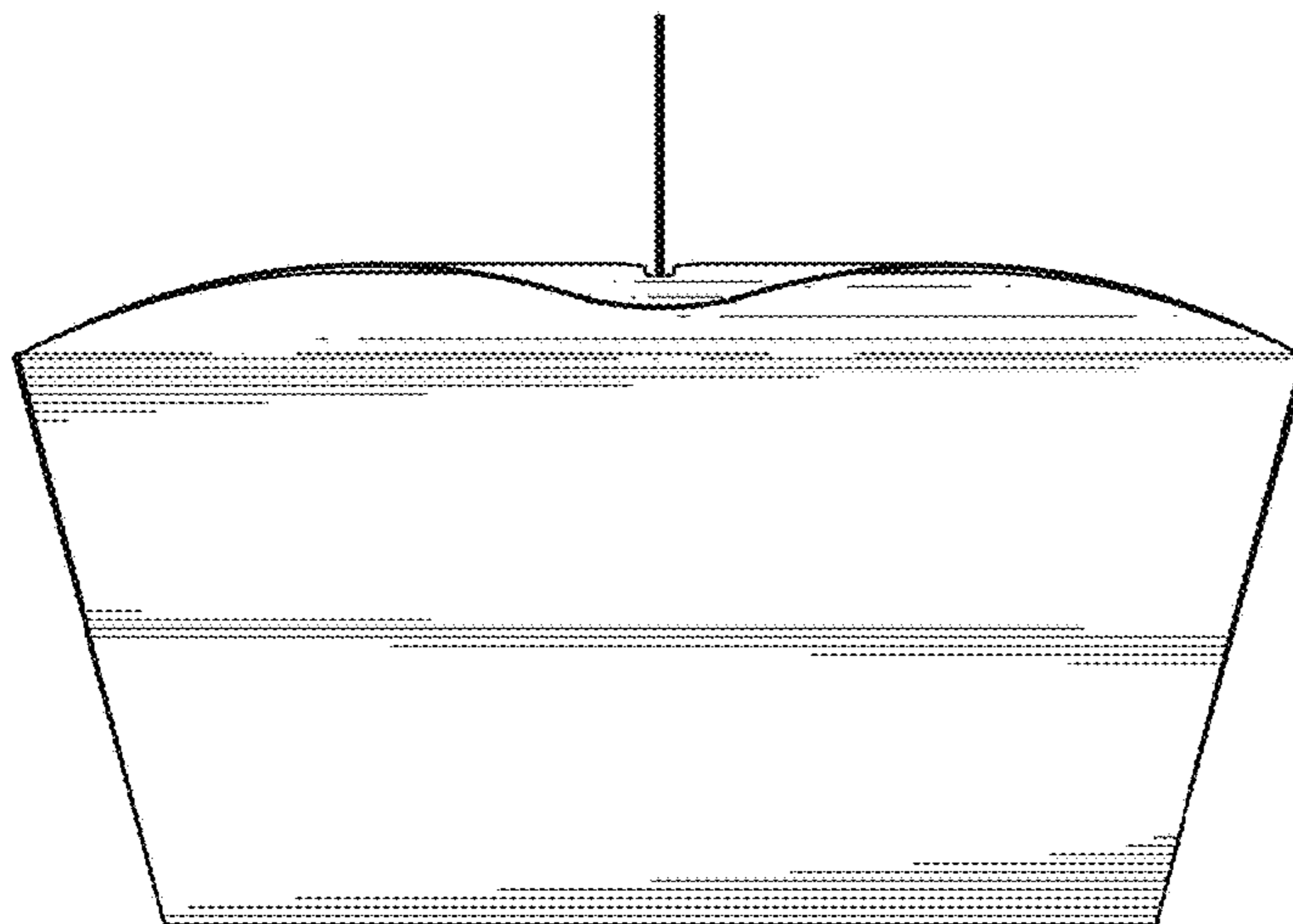


FIG. 6

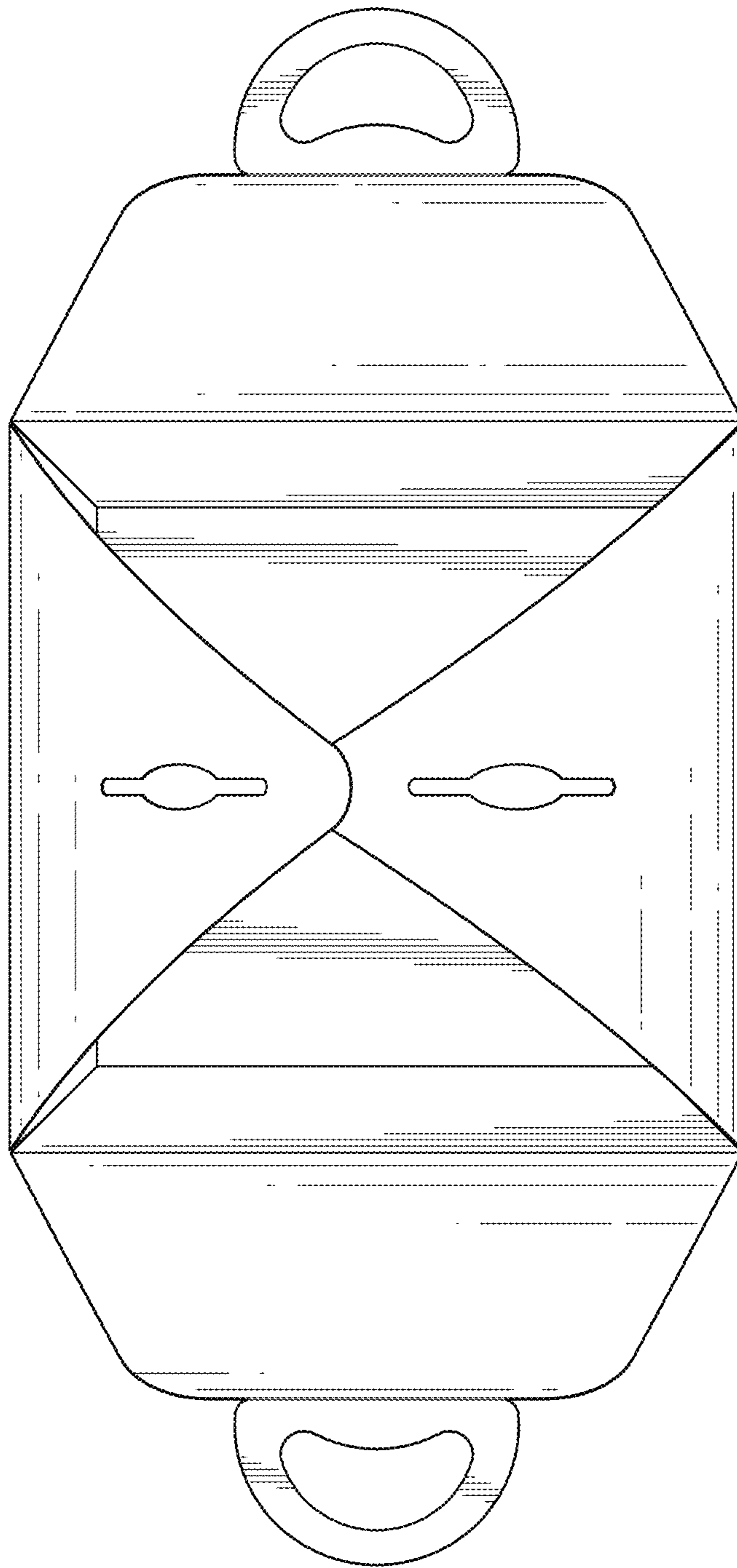


FIG. 7

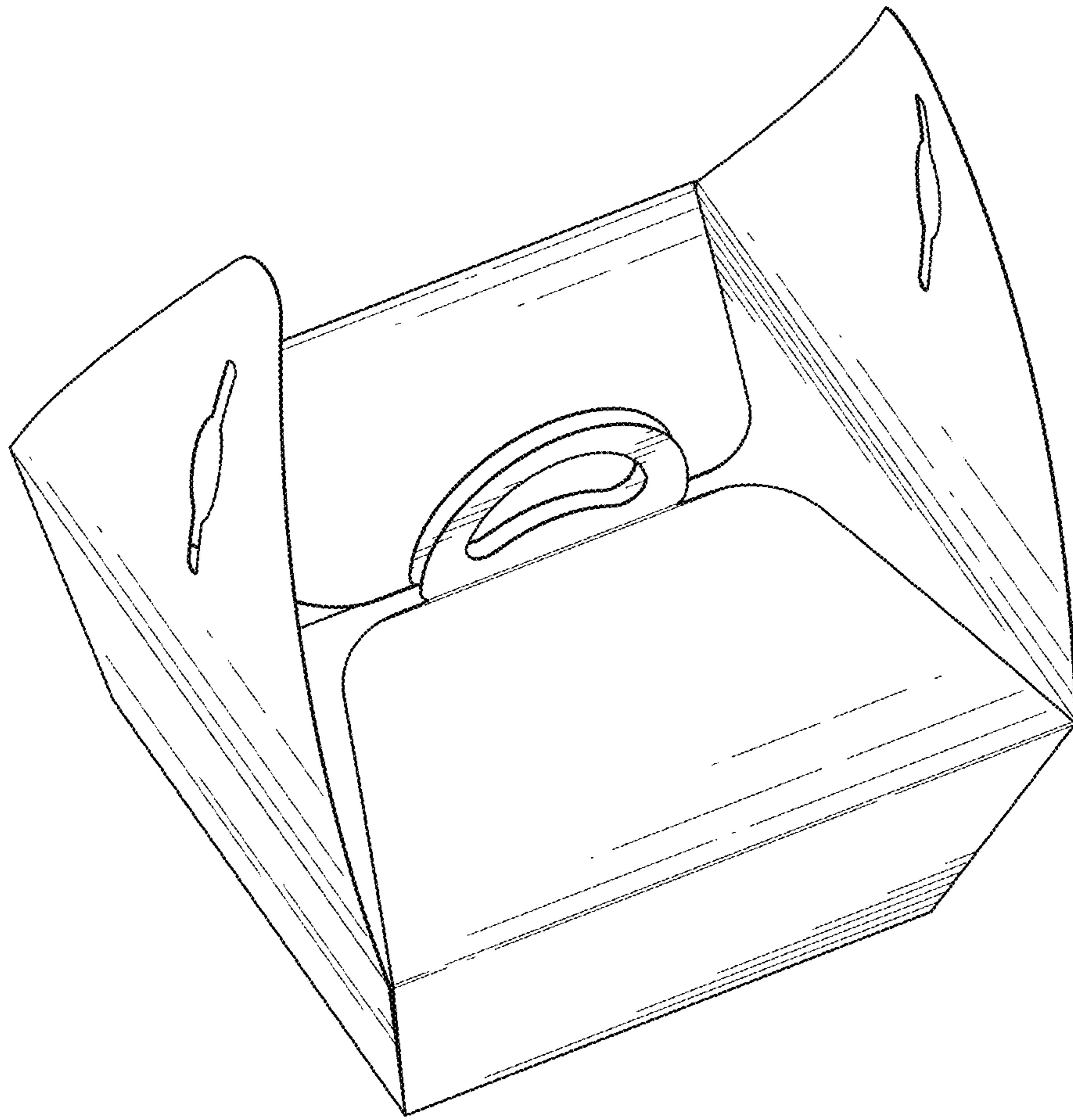


FIG. 8

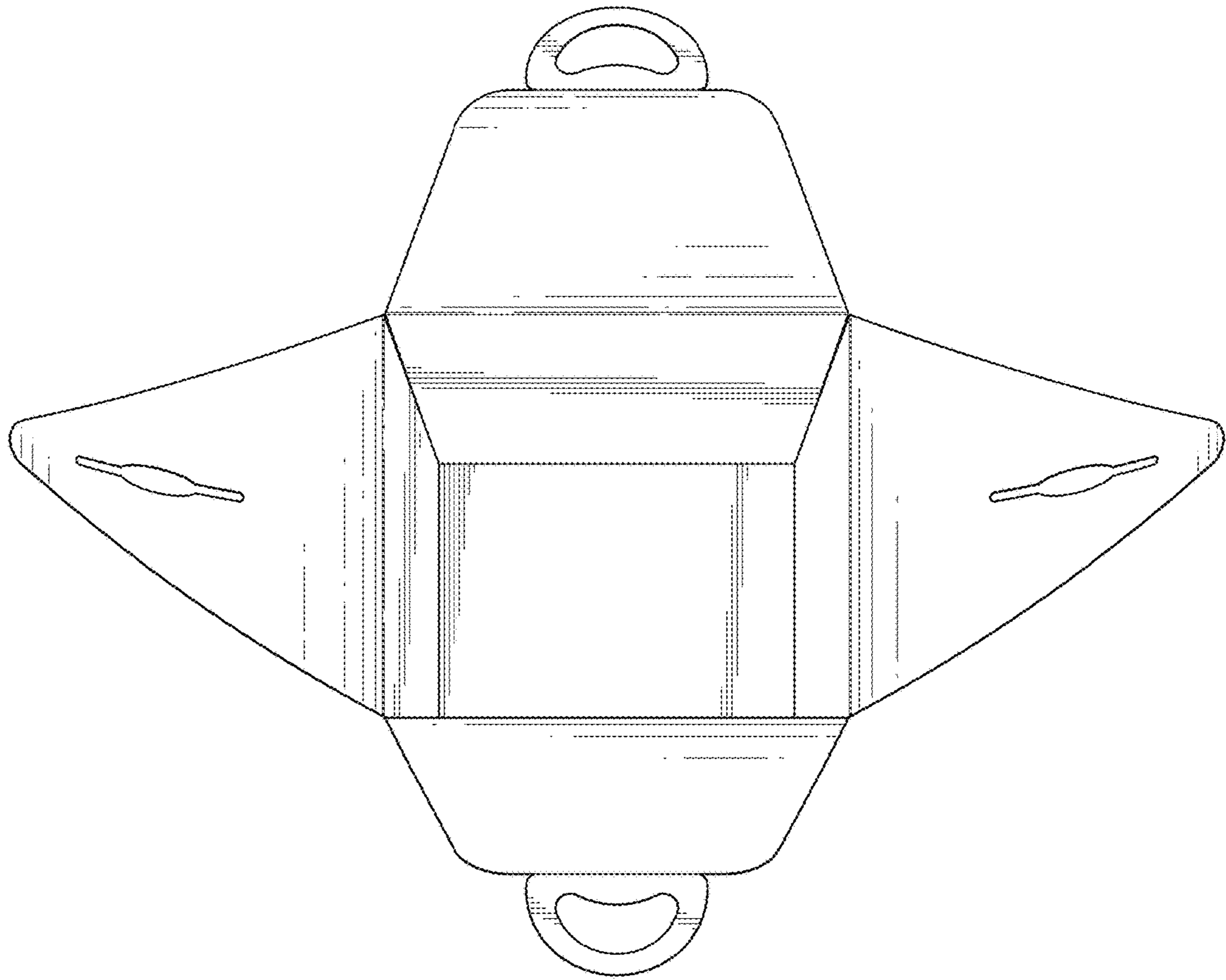


FIG. 9