



US00D792760S

(12) **United States Design Patent** (10) **Patent No.:** **US D792,760 S**
Foster et al. (45) **Date of Patent:** **** *Jul. 25, 2017**

(54) **TRAY**
(71) Applicant: **Printpack Illinois, Inc.**, Elgin, IL (US)
(72) Inventors: **David T. Foster**, Williamsburg, VA (US); **Patrick L. O'Brien**, Toano, VA (US)
(73) Assignee: **Printpack Illinois, Inc.**, Elgin, IL (US)

D551,908 S * 10/2007 Friedland D7/500
D553,444 S * 10/2007 de Groote D7/602
D630,091 S * 1/2011 Schick D9/430
D630,898 S * 1/2011 de Groote D7/602
D643,710 S * 8/2011 Samartgis D9/424
D646,160 S * 10/2011 Shiffer D9/425
D653,496 S * 2/2012 Henry D7/354
D665,662 S * 8/2012 Schick D9/425
D682,116 S * 5/2013 Sina D9/425

(Continued)

(*) Notice: This patent is subject to a terminal disclaimer.
(**) Term: **15 Years**

FOREIGN PATENT DOCUMENTS

GB 4010399 * 2/2009

(21) Appl. No.: **29/560,283**
(22) Filed: **Apr. 5, 2016**
(51) **LOC (10) Cl.** **09-03**
(52) **U.S. Cl.**
USPC **D9/424; D7/602**

OTHER PUBLICATIONS

CuBE Plastics CR-928BB 28 oz. [online] Published date unknown. Retrieved on Dec. 21, 2016 from <URL: <https://www.acemart.com/disposables/food-and-drink/portion-control/cube-plastics-cr-928bb-reusable-food-container/CUBCR-928BB?gclid=CO6vq8PahtECFdeFswod5aQMyA>>.*

(Continued)

(58) **Field of Classification Search**
USPC D9/414-434, 442-445, 456, 457, 542, D9/563, 707, 708, 711, 754, 759, D9/772-776; D3/273, 276, 304, 305, D3/307, 309-313; D7/600-602, 709; D19/75, 90
CPC B65D 5/00; B65D 5/001; B65D 5/0015; B65D 5/0227-5/0254; B65D 5/18; B65D 5/6605; B65D 1/34; B65B 5/06
See application file for complete search history.

Primary Examiner — Vy Koenig
Assistant Examiner — Omeed Agilee
(74) *Attorney, Agent, or Firm* — Eversheds Sutherland (US) LLP

(57) **CLAIM**

The ornamental design for a tray, as shown and described.

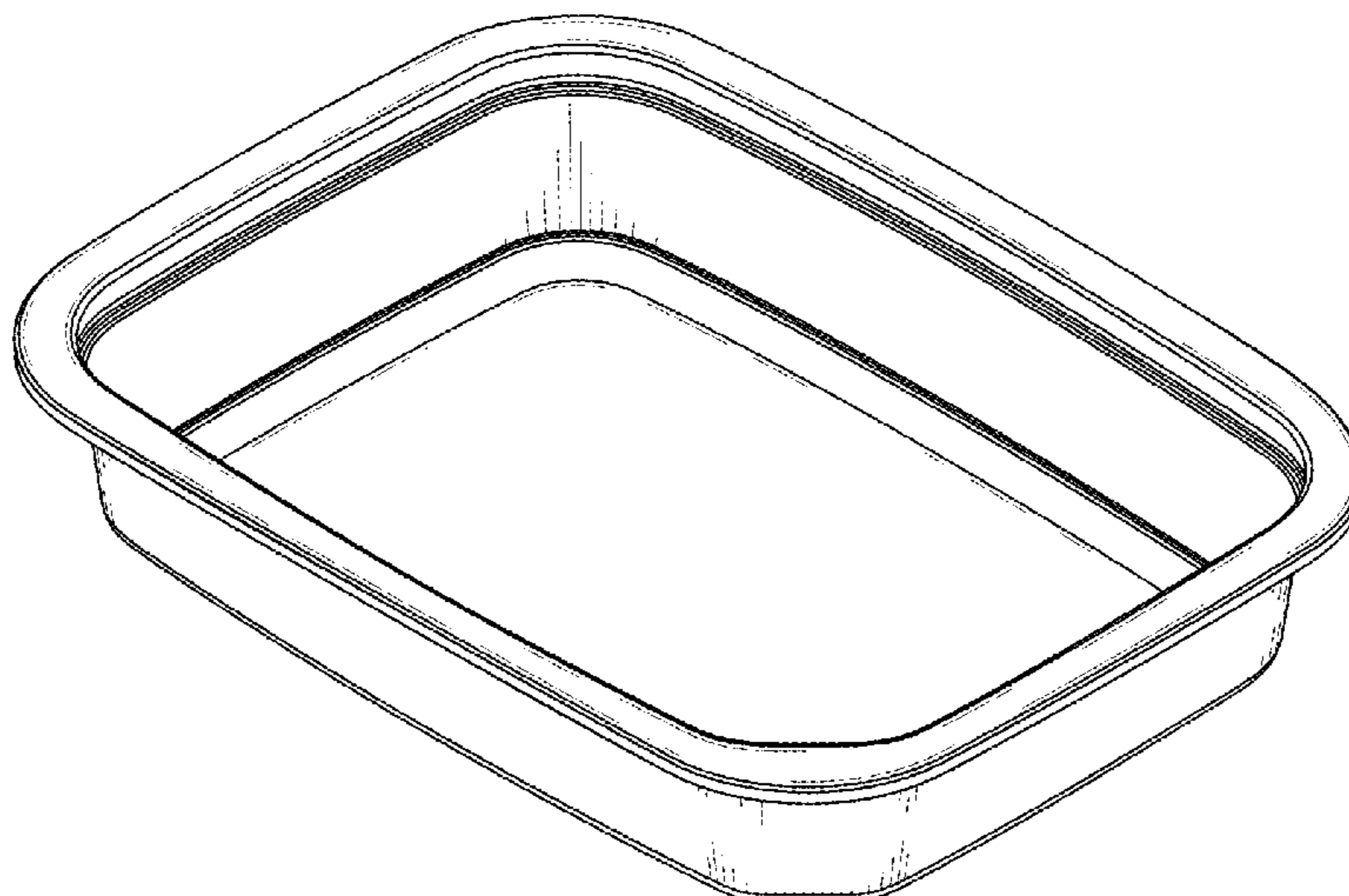
DESCRIPTION

FIG. 1 is an upper perspective view of a tray showing our new design;
FIG. 2 is a lower perspective view thereof;
FIG. 3 is a top view thereof;
FIG. 4 is a bottom view thereof;
FIG. 5 is a first side view thereof;
FIG. 6 is a second side view thereof;
FIG. 7 is a first end view thereof; and,
FIG. 8 is a second end view thereof.

(56) **References Cited**
U.S. PATENT DOCUMENTS

4,623,088 A * 11/1986 Holden B65D 1/34 229/407
D288,063 S * 2/1987 Tyler D9/425
D315,099 S * 3/1991 Alizard D9/424
5,050,791 A * 9/1991 Bowden B65D 1/34 229/407
D375,652 S * 11/1996 Hayes D7/354
D495,597 S * 9/2004 Rubalcava D9/424
D533,080 S * 12/2006 Darin D7/602

1 Claim, 3 Drawing Sheets



(56)

References Cited

U.S. PATENT DOCUMENTS

D697,372 S * 1/2014 Everingham D7/587
D702,483 S * 4/2014 Green D7/354
D738,719 S * 9/2015 Breton D9/425
D751,349 S * 3/2016 Carlson D7/629
D759,478 S * 6/2016 Fife D9/425
D762,083 S * 7/2016 Librus D7/354
D772,058 S * 11/2016 Urushidani D7/602
2010/0038274 A1* 2/2010 Segal B65D 43/168
206/505
2010/0276419 A1* 11/2010 Gartz B65D 1/34
220/4.23

OTHER PUBLICATIONS

“Kraft Homestyle Macaroni & Cheese Microwaveable Bowls,”
dated Oct. 1, 2012, www.shescribes.com/2012/10/kraft-homestyle-macaroni-cheese-microwaveable-bowls.html, 4 pages, accessed
May 3, 2016.

U.S. Trademark Registration No. 2,052,071, Registered Apr. 14,
1997.

U.S. Trademark Registration No. 2,052,069, Registered Apr. 15,
1997.

* cited by examiner

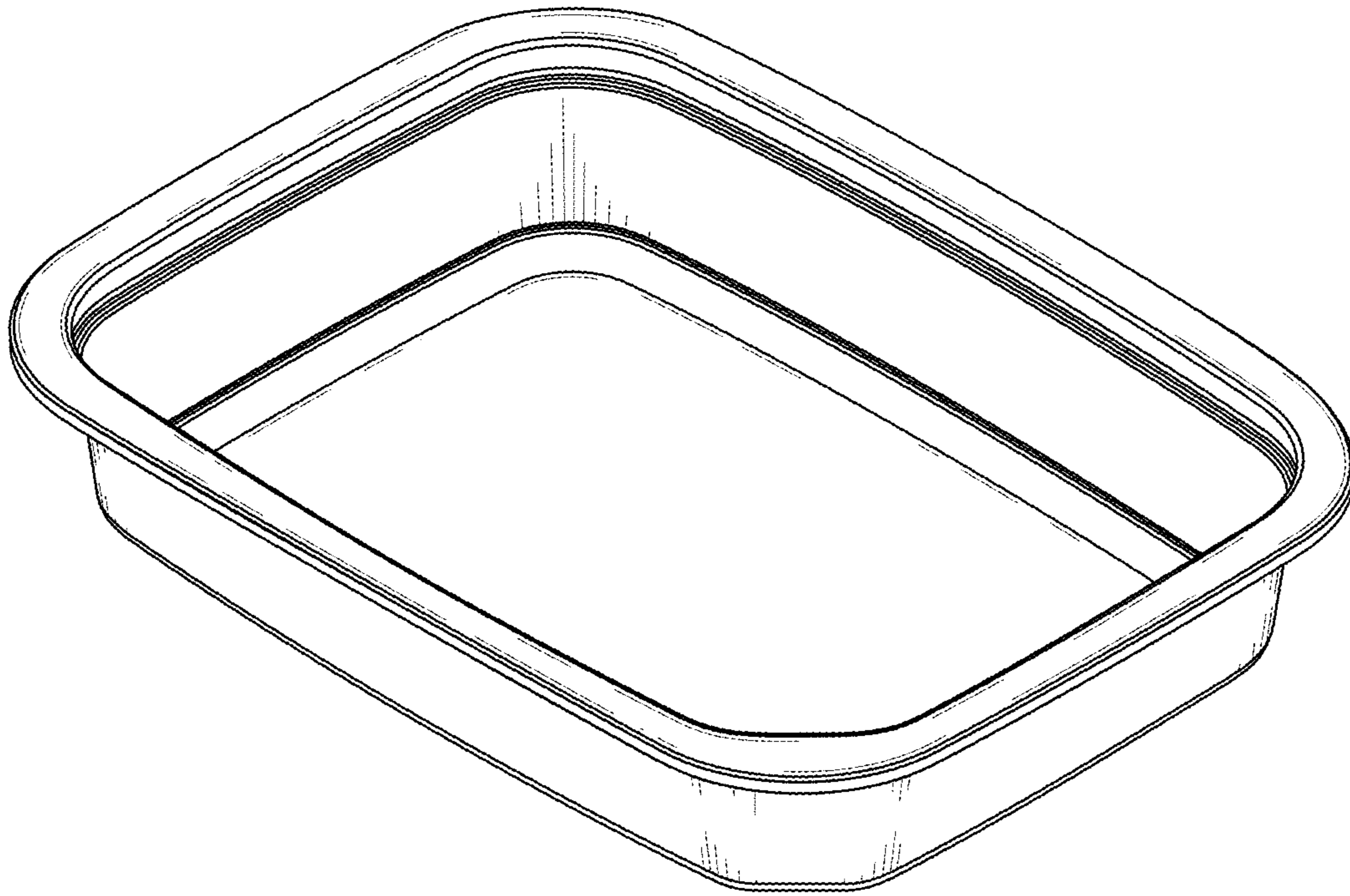


FIG. 1

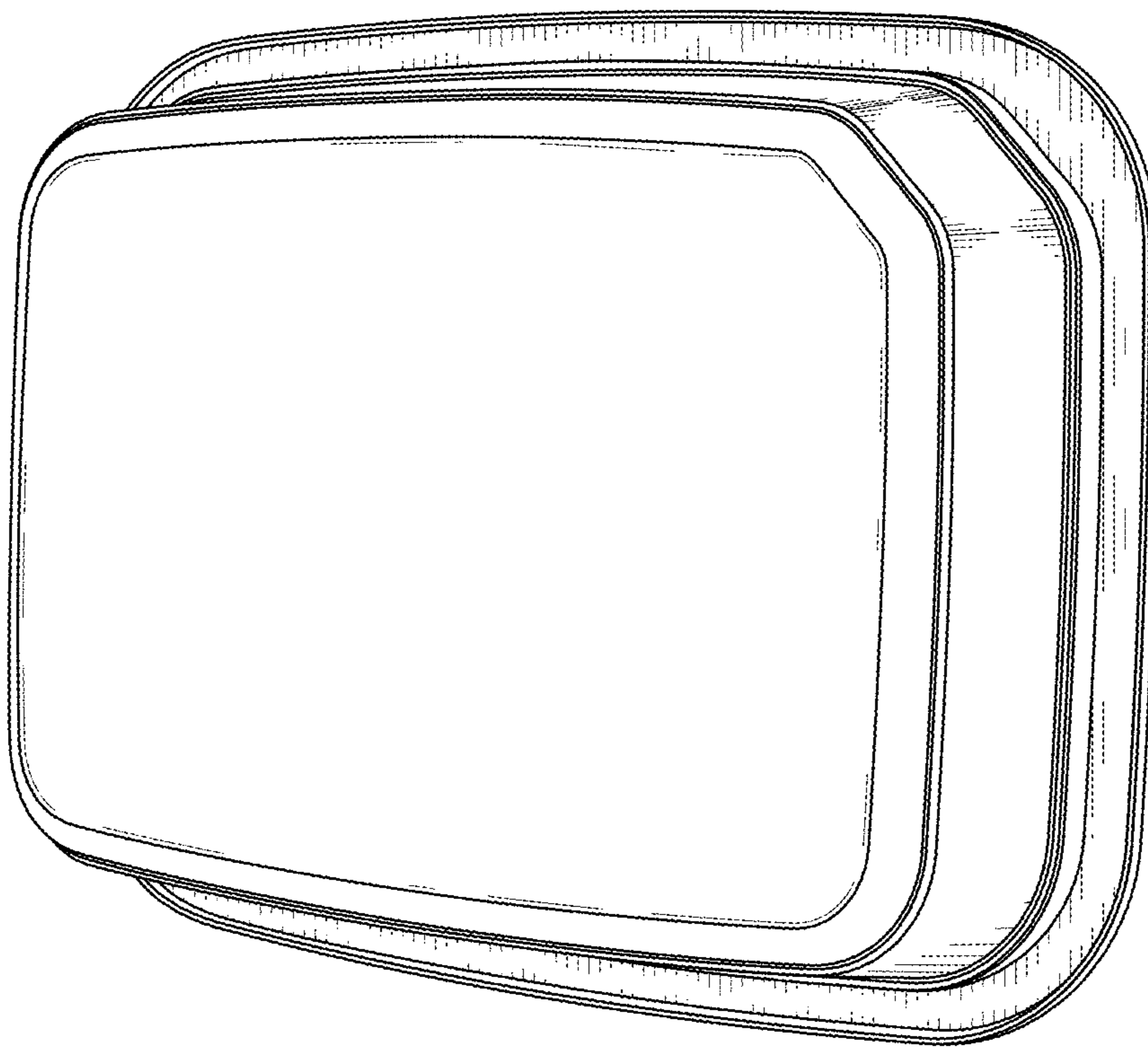


FIG. 2

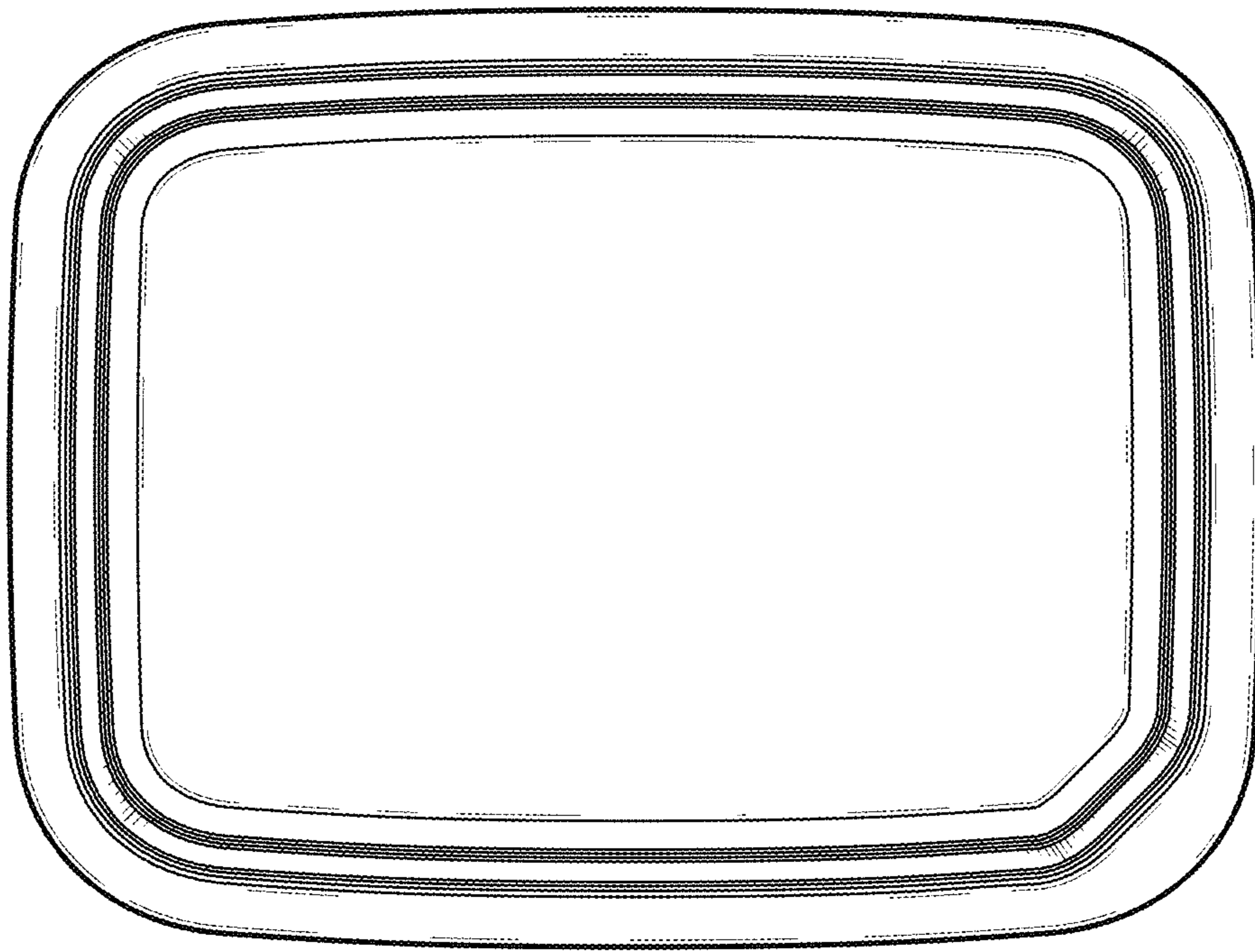


FIG. 3

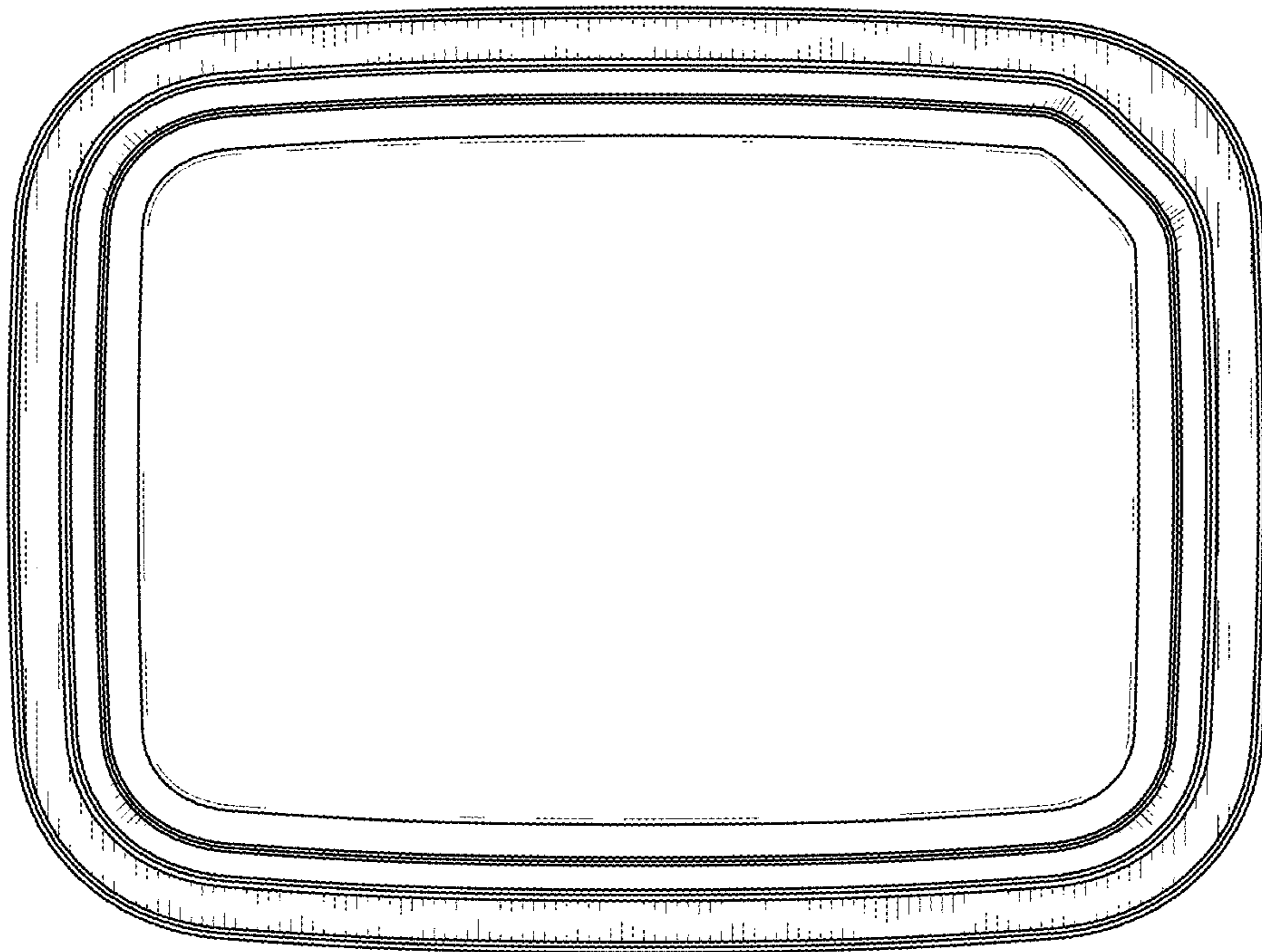


FIG. 4

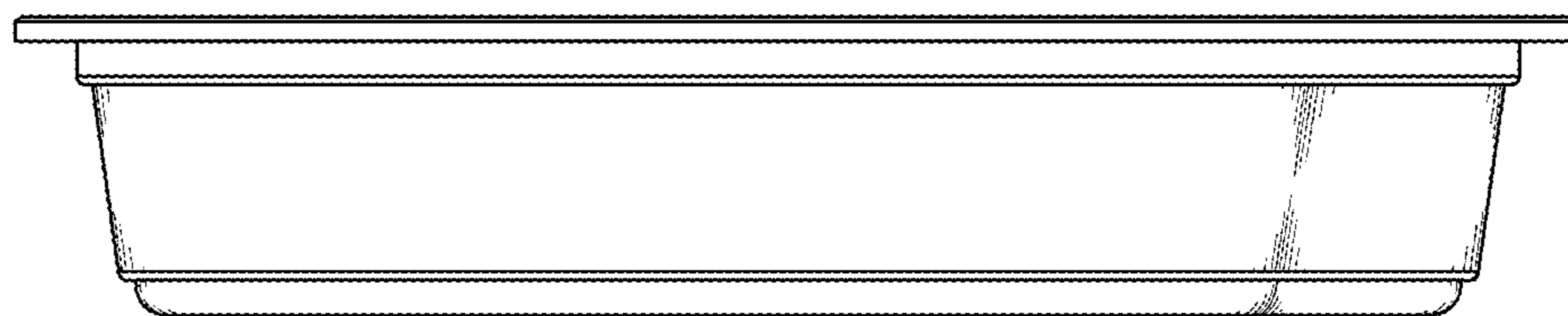


FIG. 5

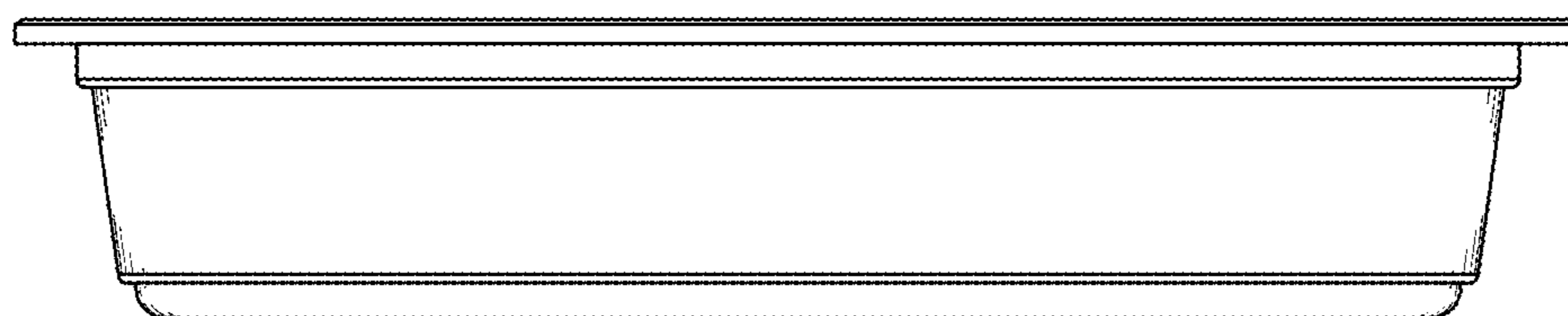


FIG. 6

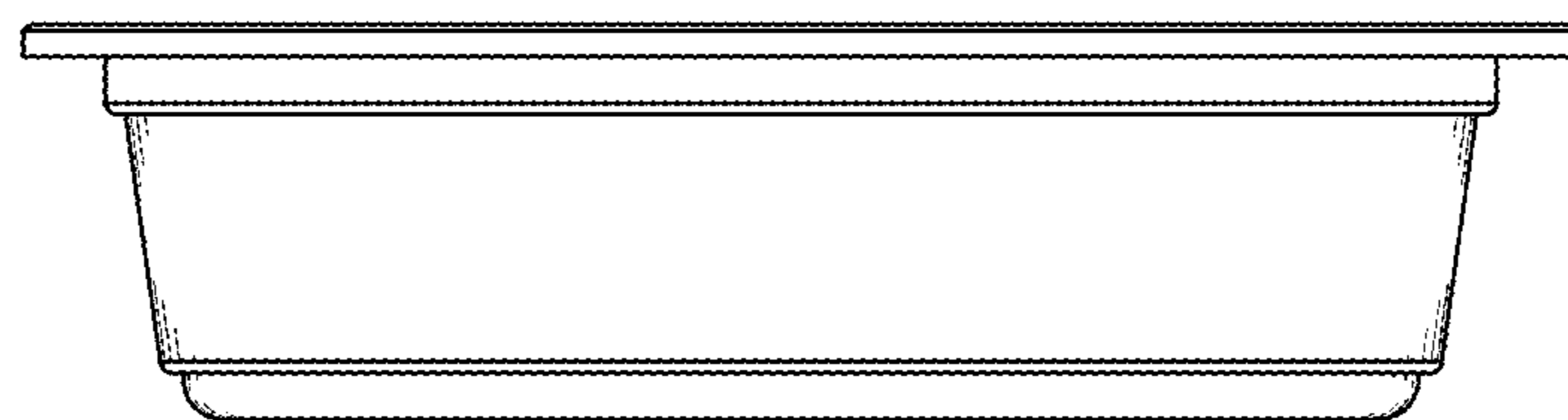


FIG. 7

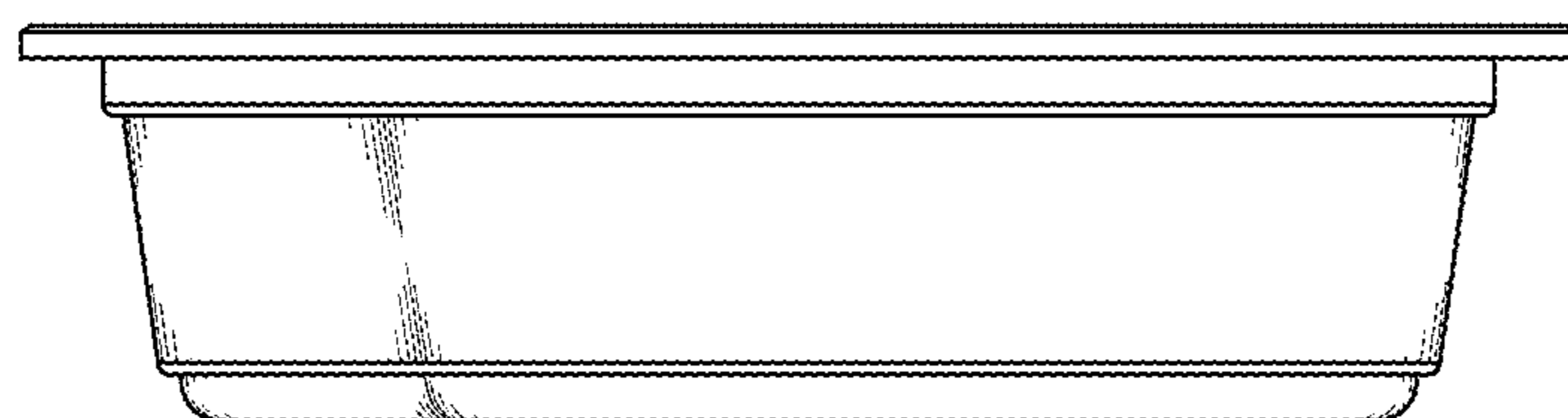


FIG. 8