



US00D792758S

(12) **United States Design Patent**
Olayiwola et al.

(10) **Patent No.:** **US D792,758 S**
(45) **Date of Patent:** **** Jul. 25, 2017**

(54) **CARTON**

(71) Applicant: **Conopco, Inc.**, Englewood Cliffs, NJ (US)

(72) Inventors: **Abimbola Adijat Olayiwola**, Rushden (GB); **Parul Rameshchandra Patel**, Wellingboroug (GB); **Guy Wallace Linnegar**, London (GB)

(73) Assignee: **CONOPCO INC.**, Englewood Cliffs, NJ (US)

(**) Term: **15 Years**

(21) Appl. No.: **29/545,270**

(22) Filed: **Nov. 11, 2015**

(30) **Foreign Application Priority Data**

May 15, 2015 (EM) 002701326-0001
May 15, 2015 (EM) 002701326-0002
May 15, 2015 (EM) 002701326-0003

(51) **LOC (10) Cl.** **09-03**

(52) **U.S. Cl.**
USPC **D9/418**

(58) **Field of Classification Search**
USPC D7/601, 602, 612, 703; D9/414, 415, D9/417, 418, 430, 432-436, 455-457, D9/499

(Continued)

(56) **References Cited**

U.S. PATENT DOCUMENTS

D72,642 S * 5/1927 Titus D9/430
D229,170 S * 11/1973 Schipper D9/418

(Continued)

Primary Examiner — Robert M Spear
Assistant Examiner — Darcey E Heflin

(74) *Attorney, Agent, or Firm* — Foley & Lardner LLP

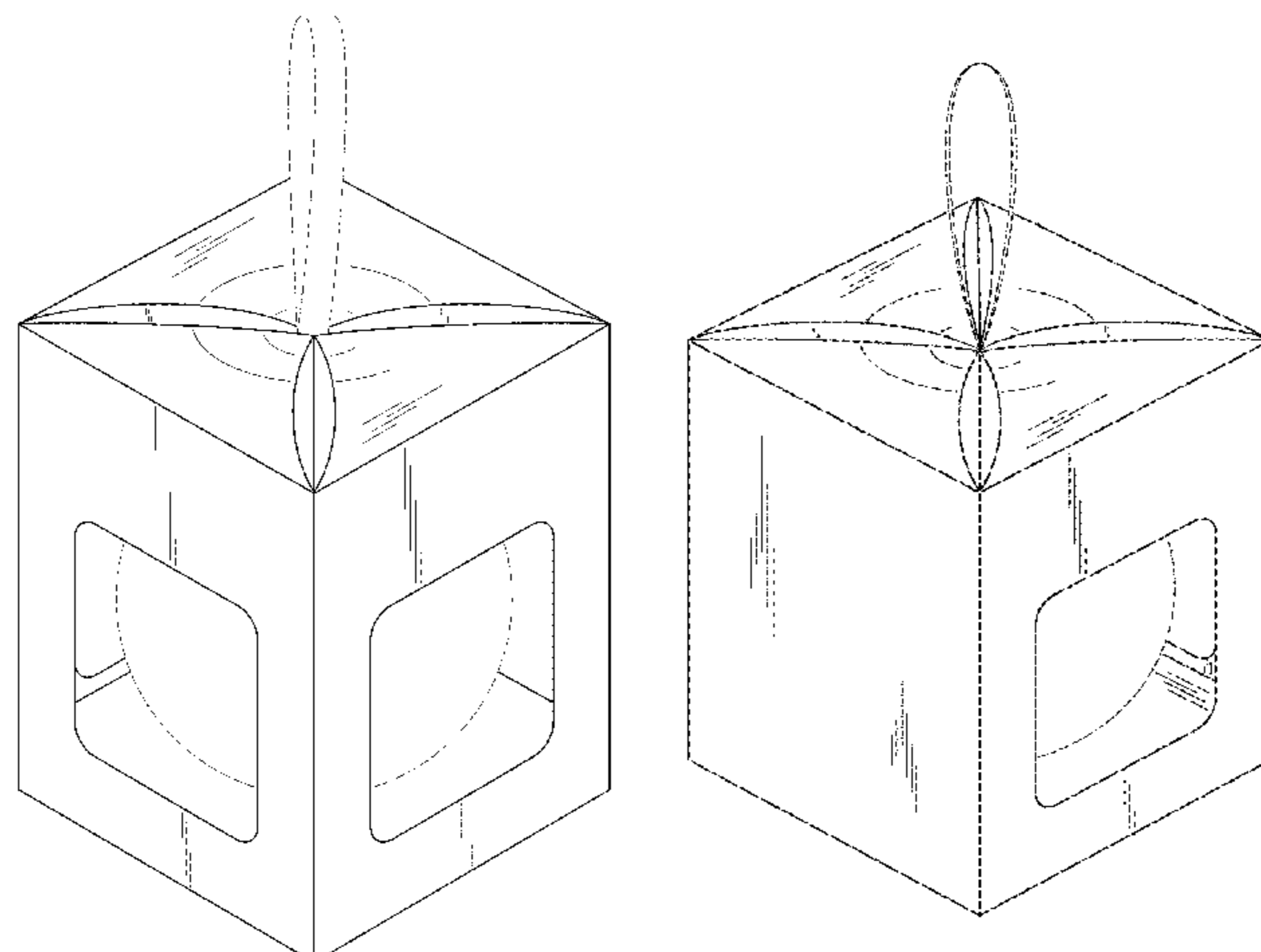
(57) **CLAIM**

The ornamental design for a carton, as shown and described.

DESCRIPTION

FIG. 1 is a front perspective view from the top, showing the front side and the right side of a carton in accordance with one embodiment our new design;
FIG. 2 is a front elevational view of said carton;
FIG. 3 is a rear elevational view of said carton;
FIG. 4 is a left side elevational view of said carton;
FIG. 5 is a right side elevational view of said carton;
FIG. 6 is a top plan view of said carton;
FIG. 7 is a bottom plan view of said carton; and
FIG. 8 is a front perspective view from top, showing the left side and the front side of the carton in accordance with said one embodiment our new design;
FIG. 9 is a front perspective view from the top, showing the front side and the right side of a carton in accordance with a second embodiment our new design;
FIG. 10 is a front elevational view of said carton;
FIG. 11 is a rear elevational view of said carton;
FIG. 12 is a left side elevational view of said carton;
FIG. 13 is a right side elevational view of said carton;
FIG. 14 is a top plan view of said carton;
FIG. 15 is a bottom plan view of said carton; and
FIG. 16 is a front perspective view from top, showing the left side and the front side of the carton in accordance with said second embodiment our new design;
FIG. 17 is a front perspective view from the top, showing the front side and the right side of a carton in accordance with a third embodiment our new design;
FIG. 18 is a front elevational view of said carton;
FIG. 19 is a rear elevational view of said carton;
FIG. 20 is a left side elevational view of said carton;
FIG. 21 is a right side elevational view of said carton;
FIG. 22 is a top plan view of said carton;
FIG. 23 is a bottom plan view of said carton; and
FIG. 24 is a front perspective view from top, showing the left side and the front side of the carton in accordance with said third embodiment our new design.

(Continued)



In the drawings, the broken line showing portions of a carton depicts environment and forms no part of the claim.

1 Claim, 24 Drawing Sheets

(58) Field of Classification Search

CPC B65D 5/00; B65D 5/01; B65D 5/02
See application file for complete search history.

(56) References Cited

U.S. PATENT DOCUMENTS

D334,815	S	*	4/1993	Bunger	D21/501
D360,758	S	*	8/1995	Umiker	D3/304
D529,795	S	*	10/2006	Kragtwijk	D9/418
D530,196	S	*	10/2006	Wijerama	D9/418
D532,686	S	*	11/2006	Wijerama	D9/418
D588,453	S	*	3/2009	Glade	D9/430
D616,301	S	*	5/2010	Stephens	D9/430
D617,183	S	*	6/2010	Stephens	D9/430
D620,792	S	*	8/2010	Shaikh	D9/430
D620,793	S	*	8/2010	Stephens	D9/430
D646,562	S	*	10/2011	Liebowitz	D9/418
D678,761	S	*	3/2013	Cooper	D9/418
D705,052	S	*	5/2014	Huang	D9/432
D731,302	S	*	6/2015	Lutgen	D9/418

* cited by examiner

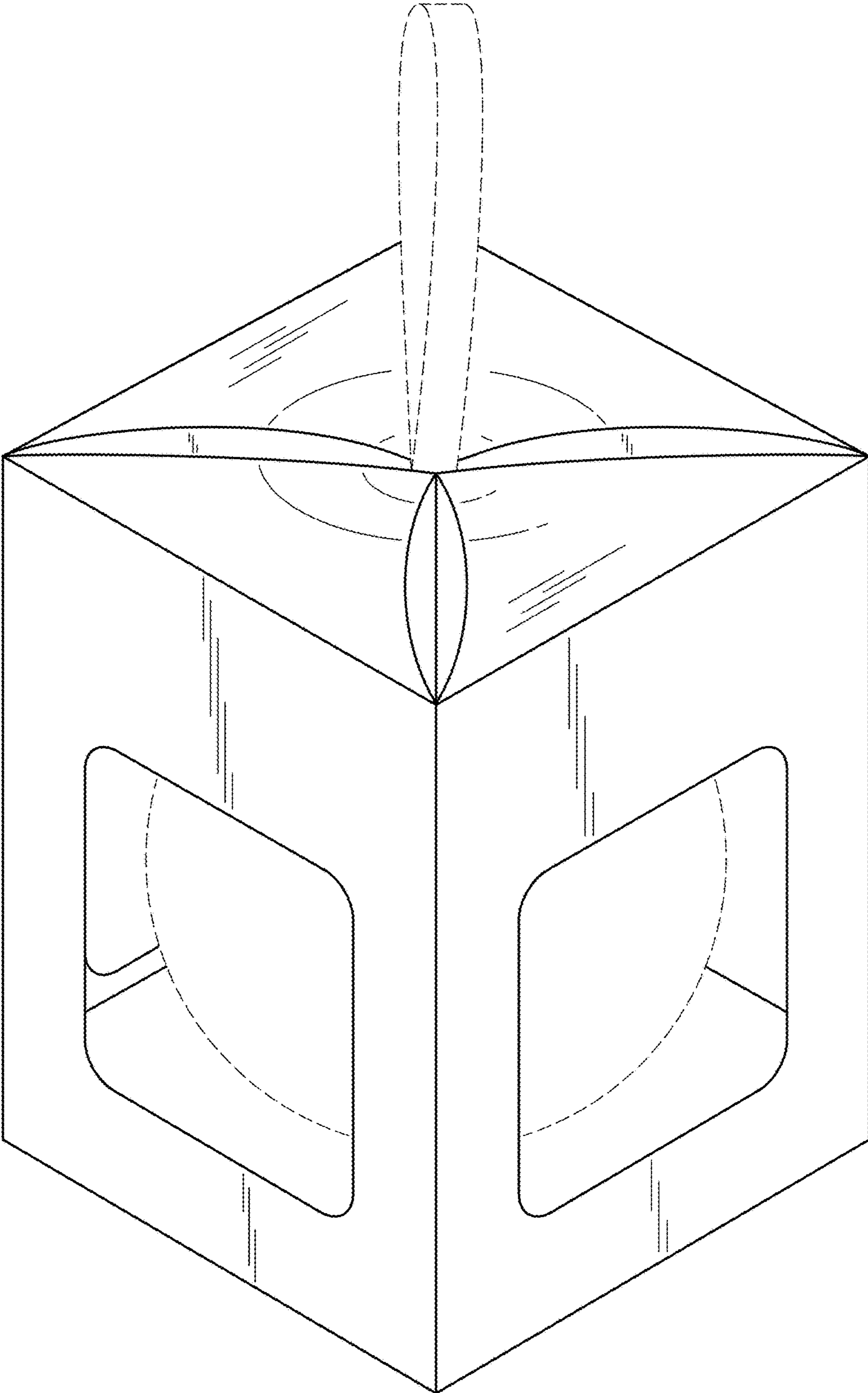


Fig. 1

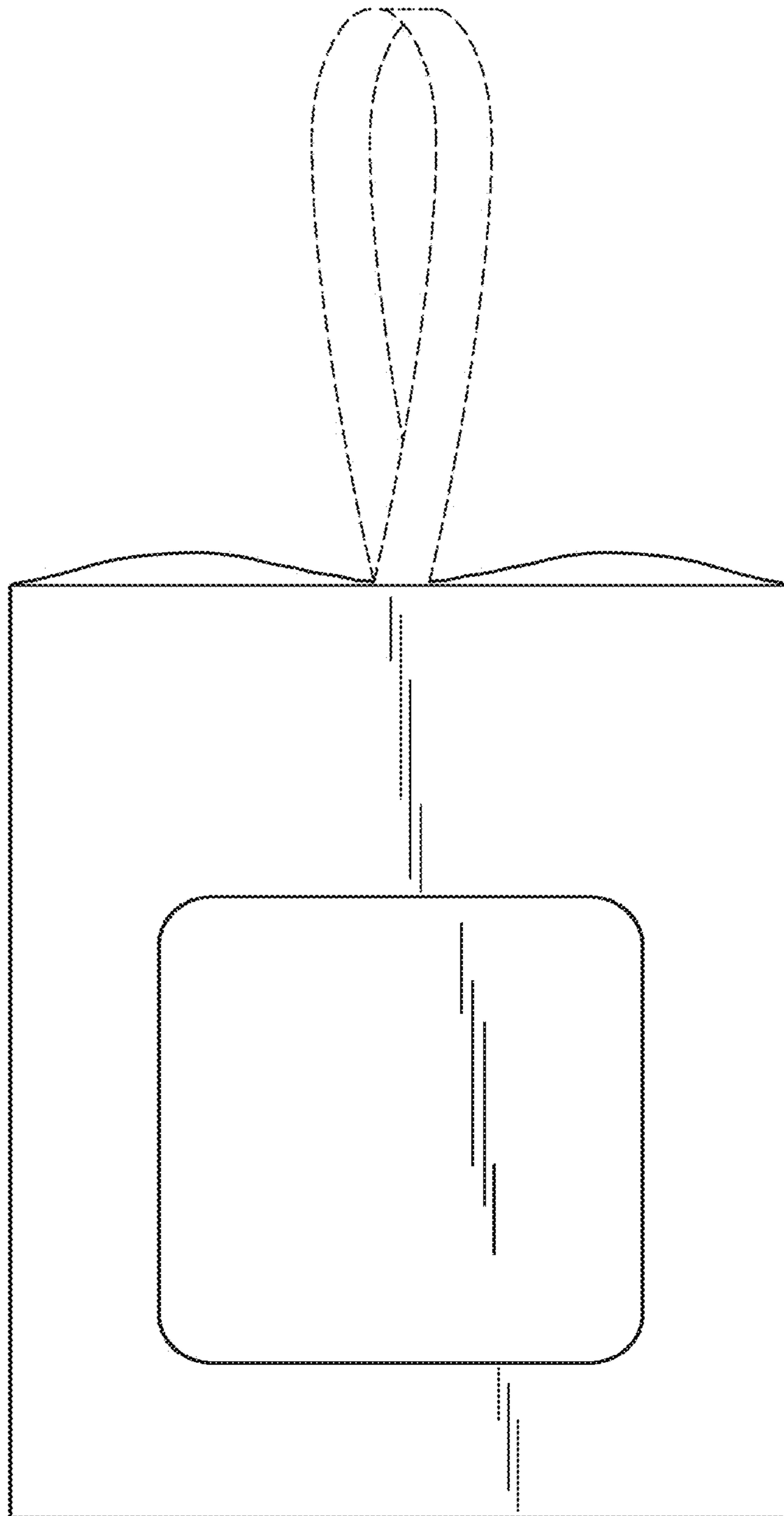


Fig. 2

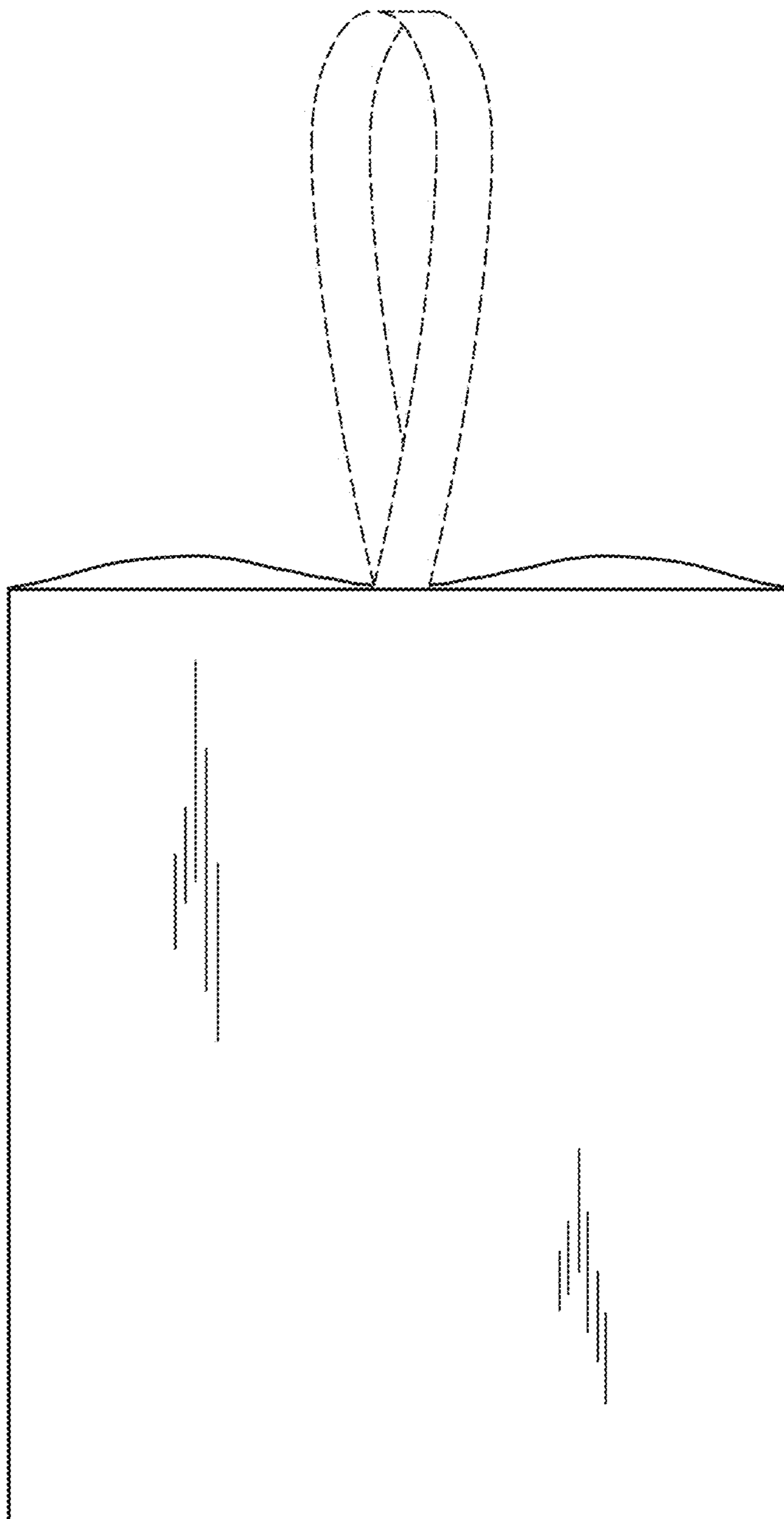


Fig. 3

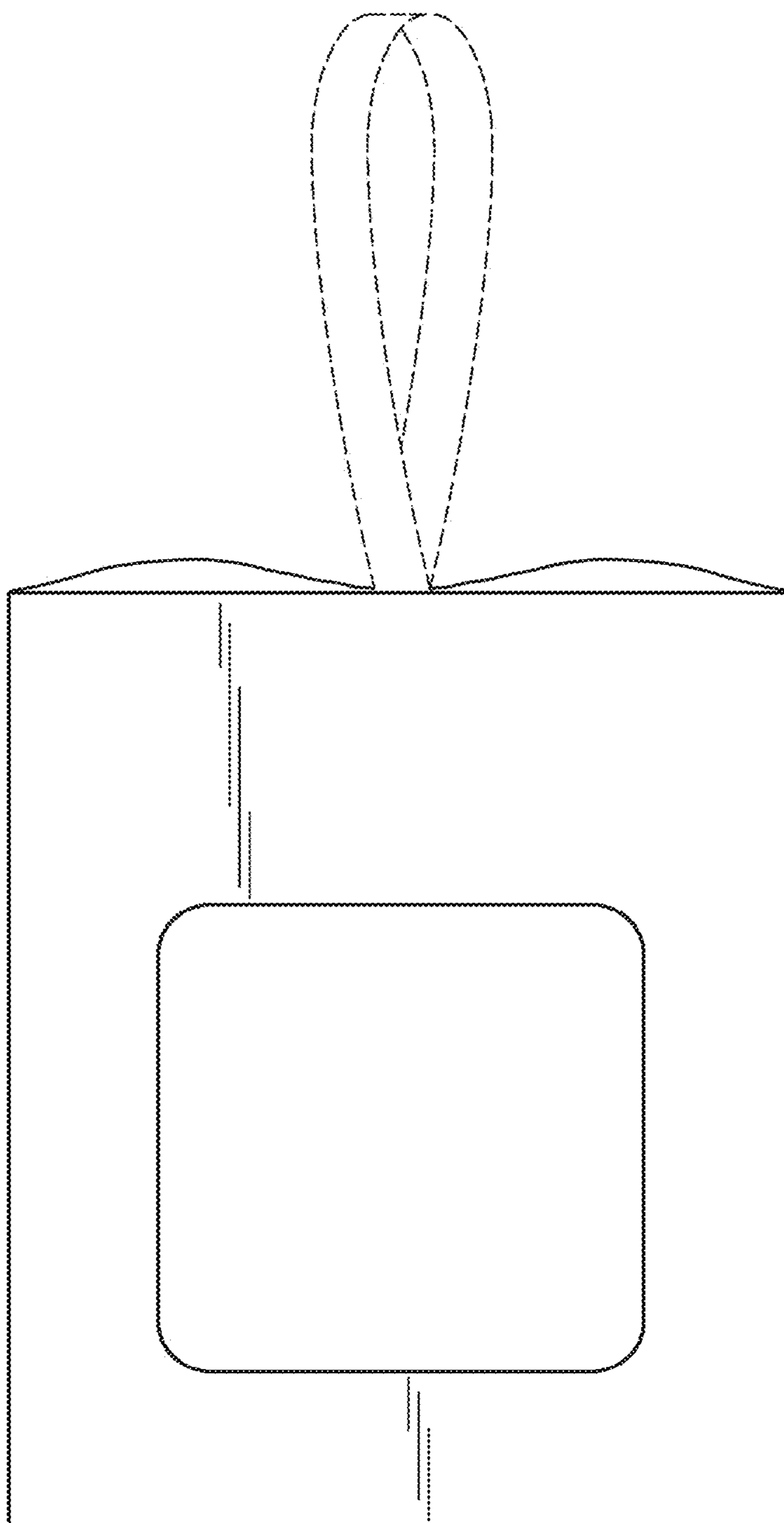


Fig. 4

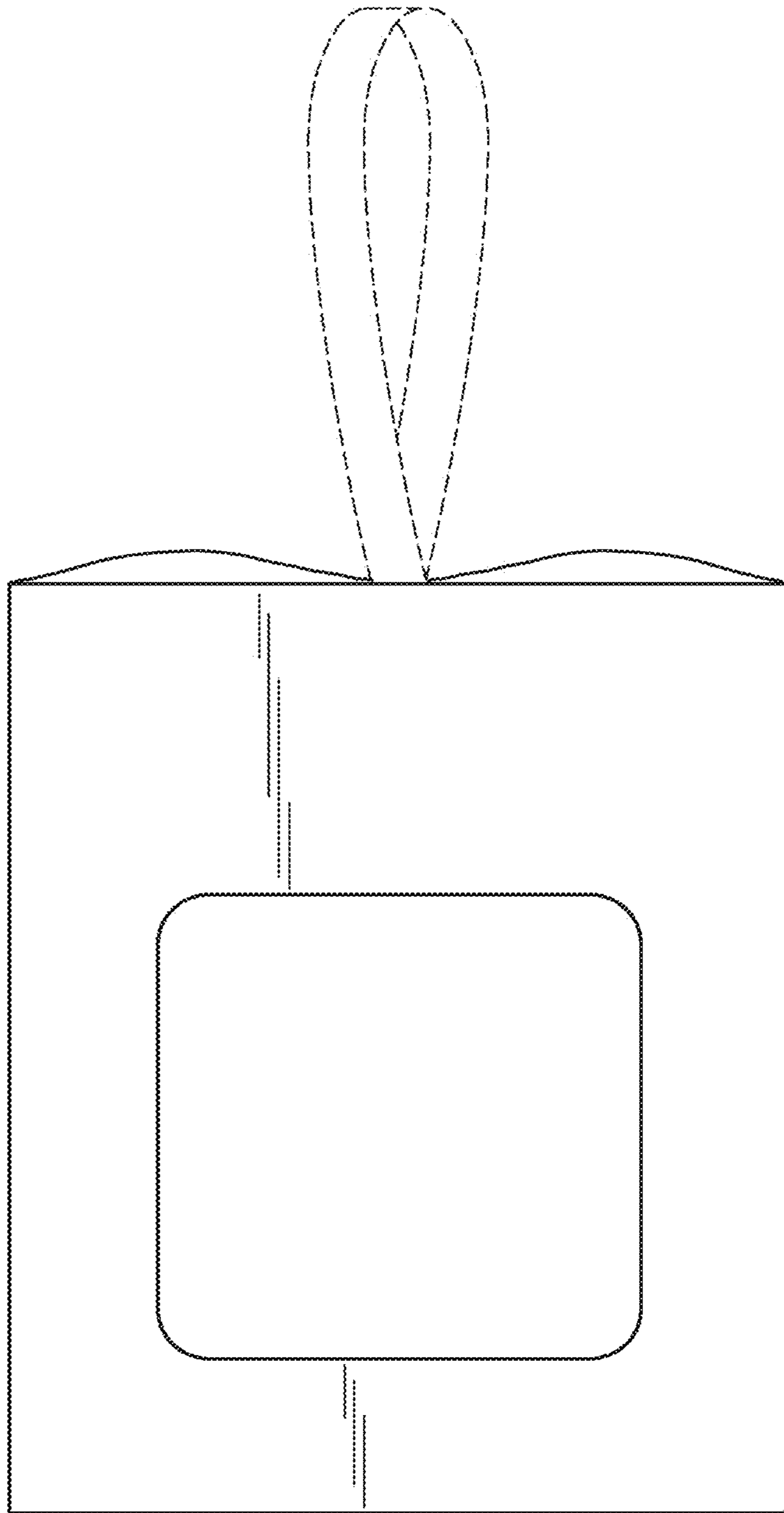


Fig. 5

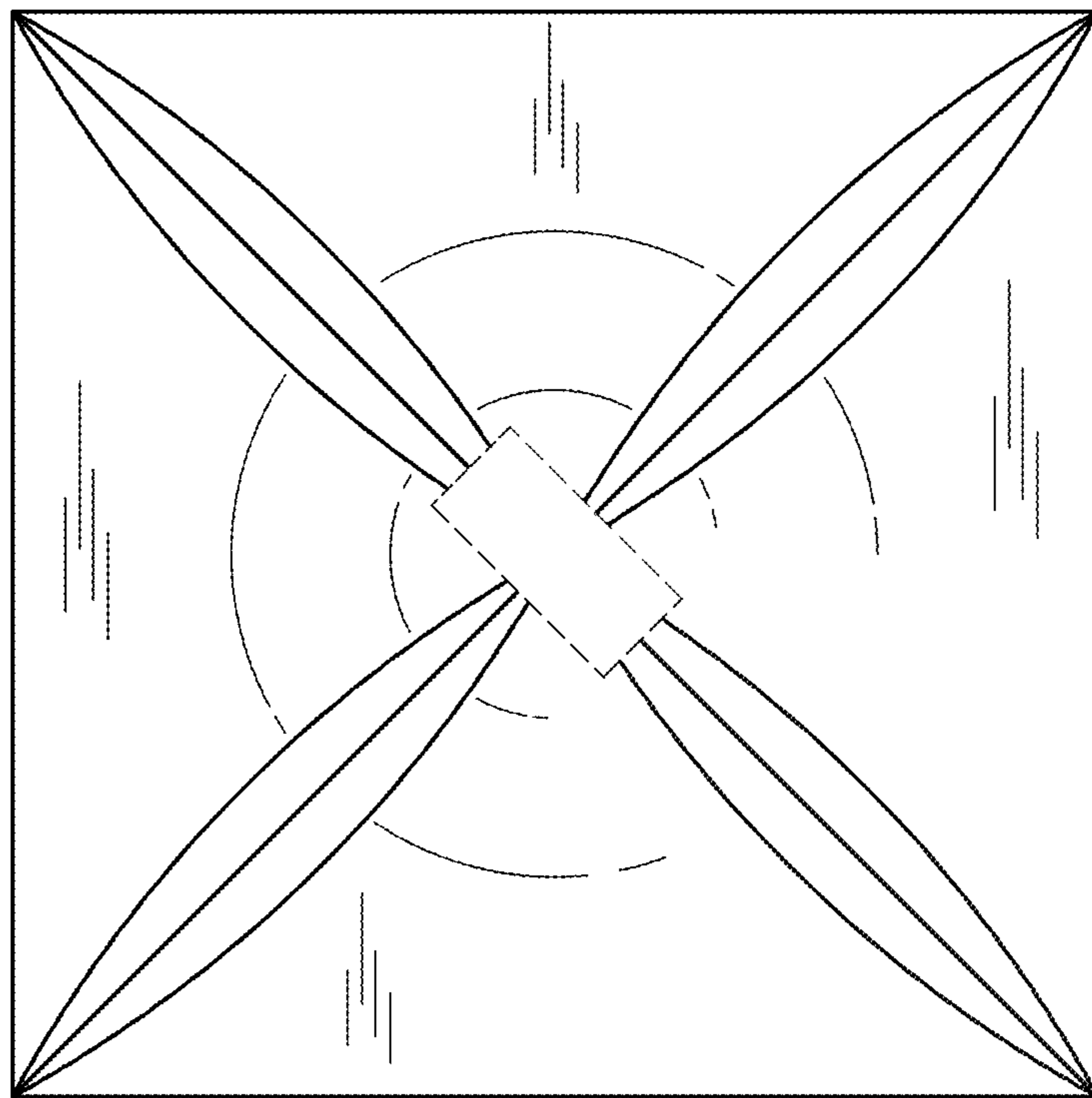


Fig. 6

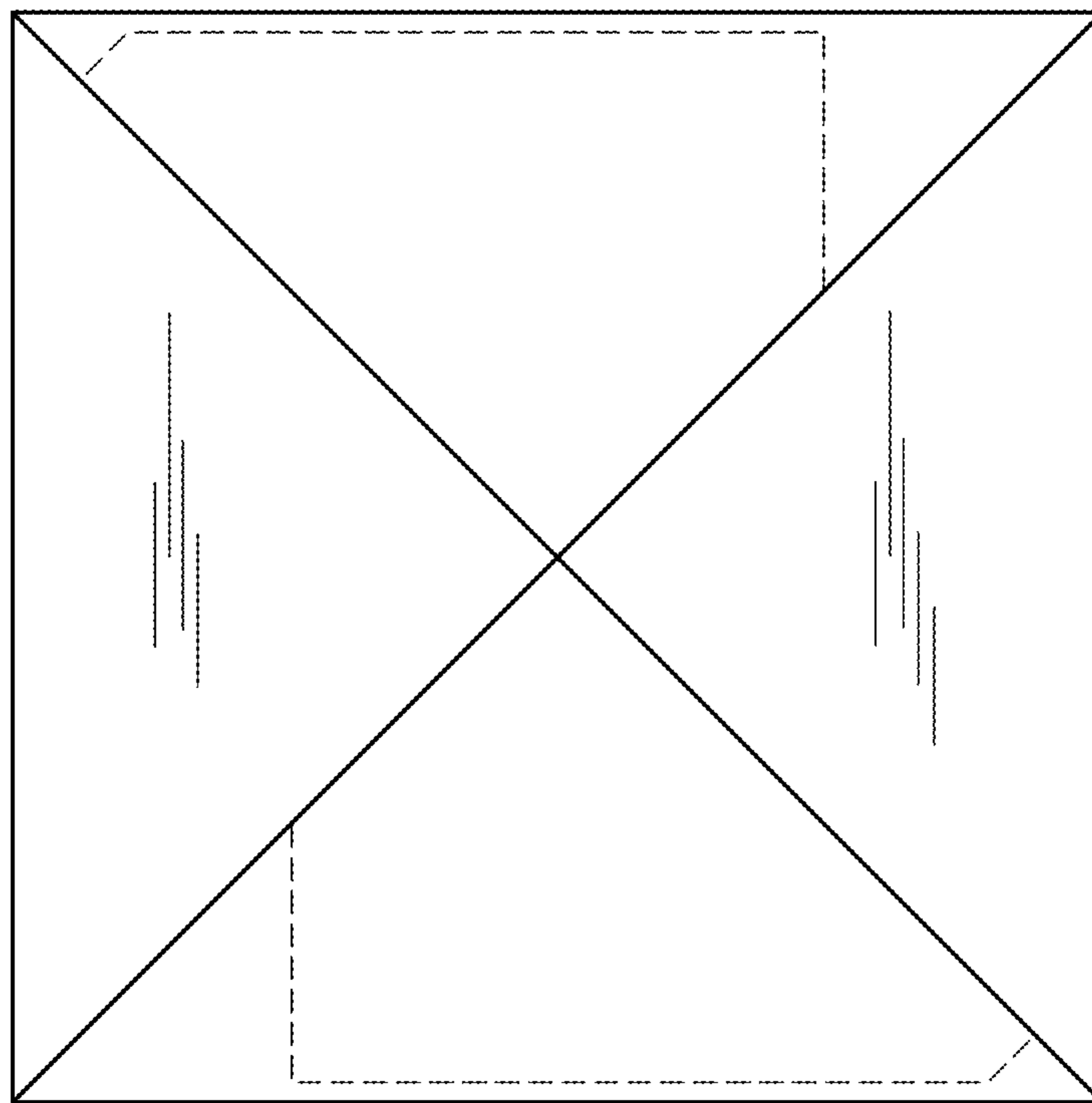


Fig. 7

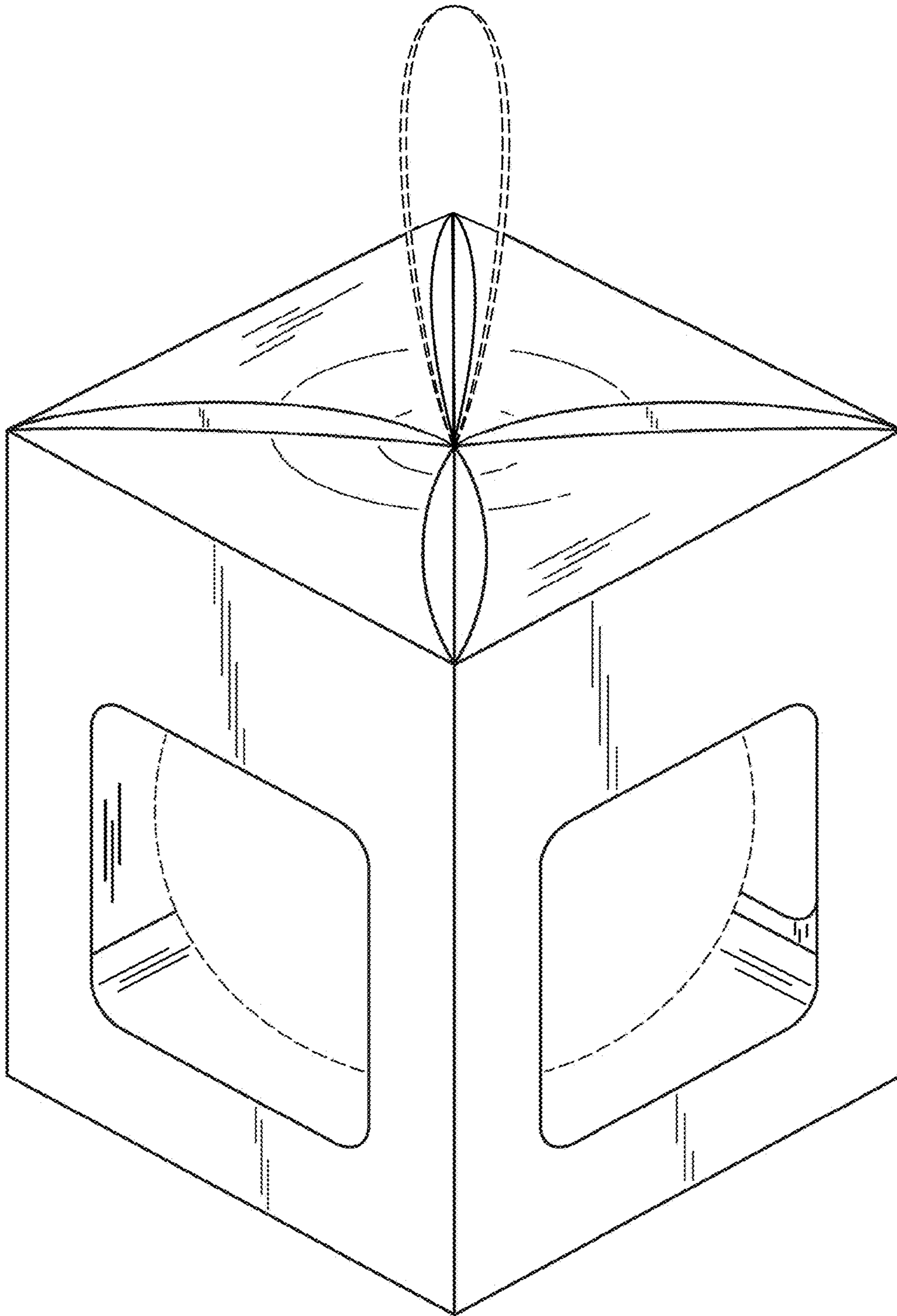


Fig. 8

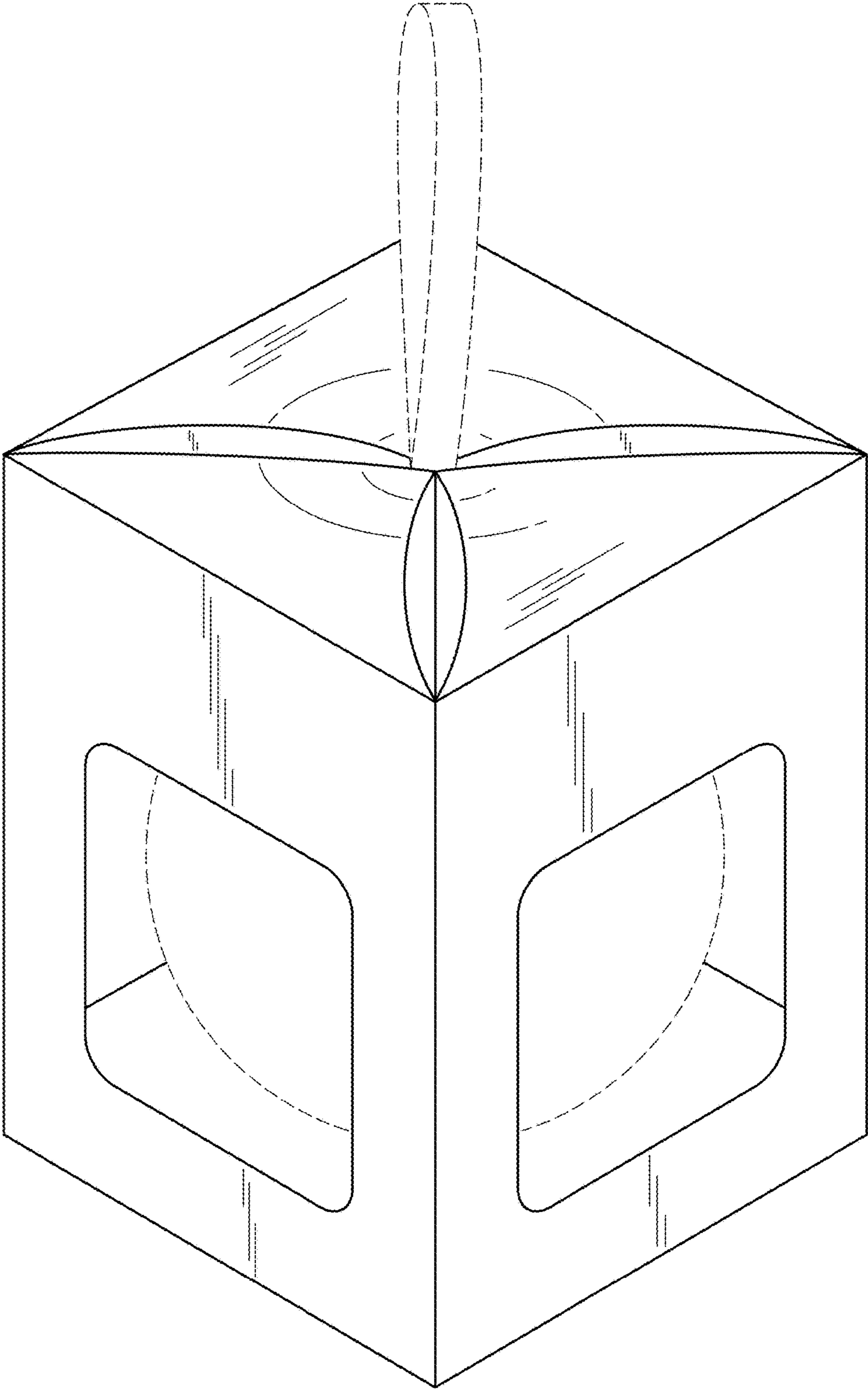


Fig. 9

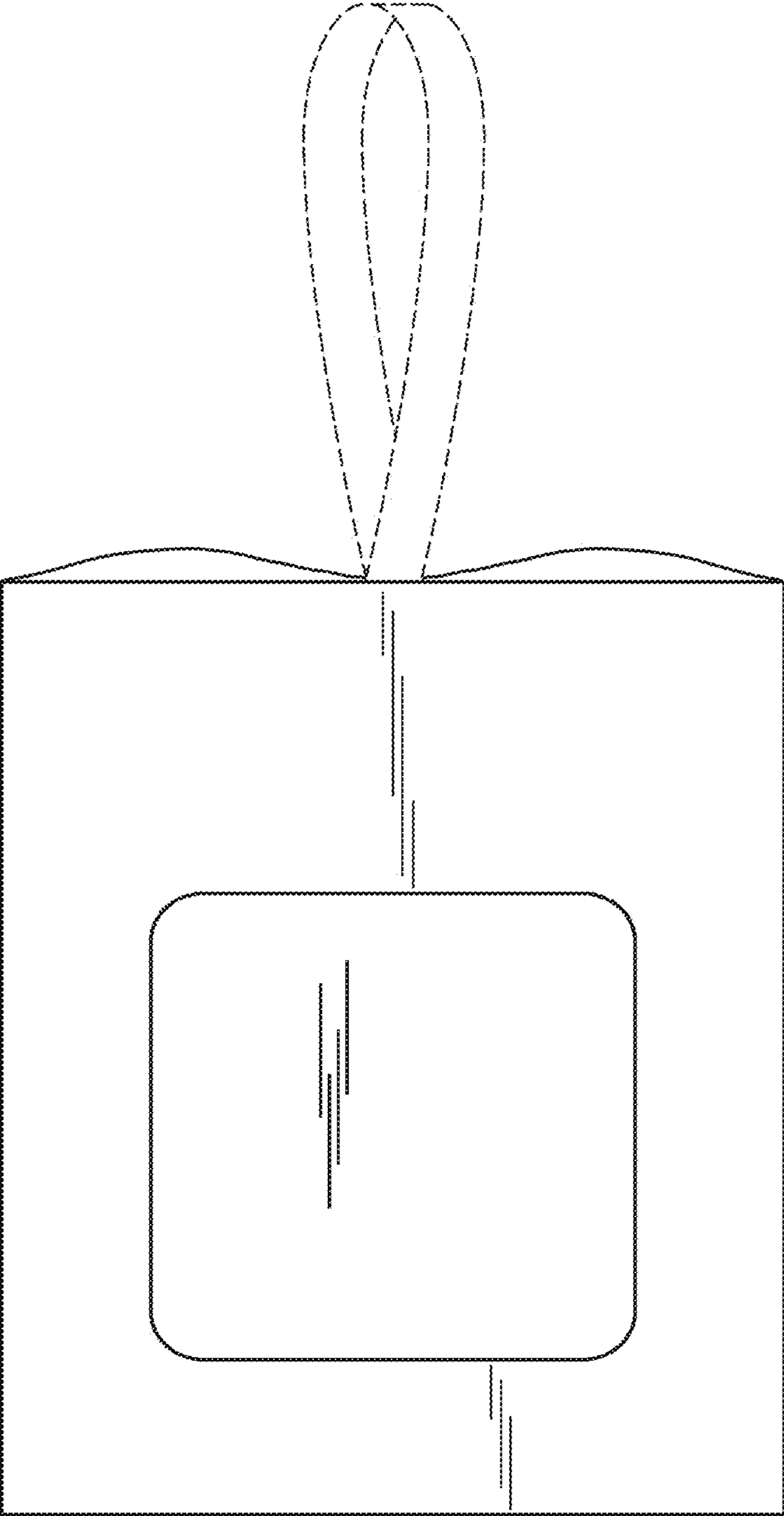


Fig. 10

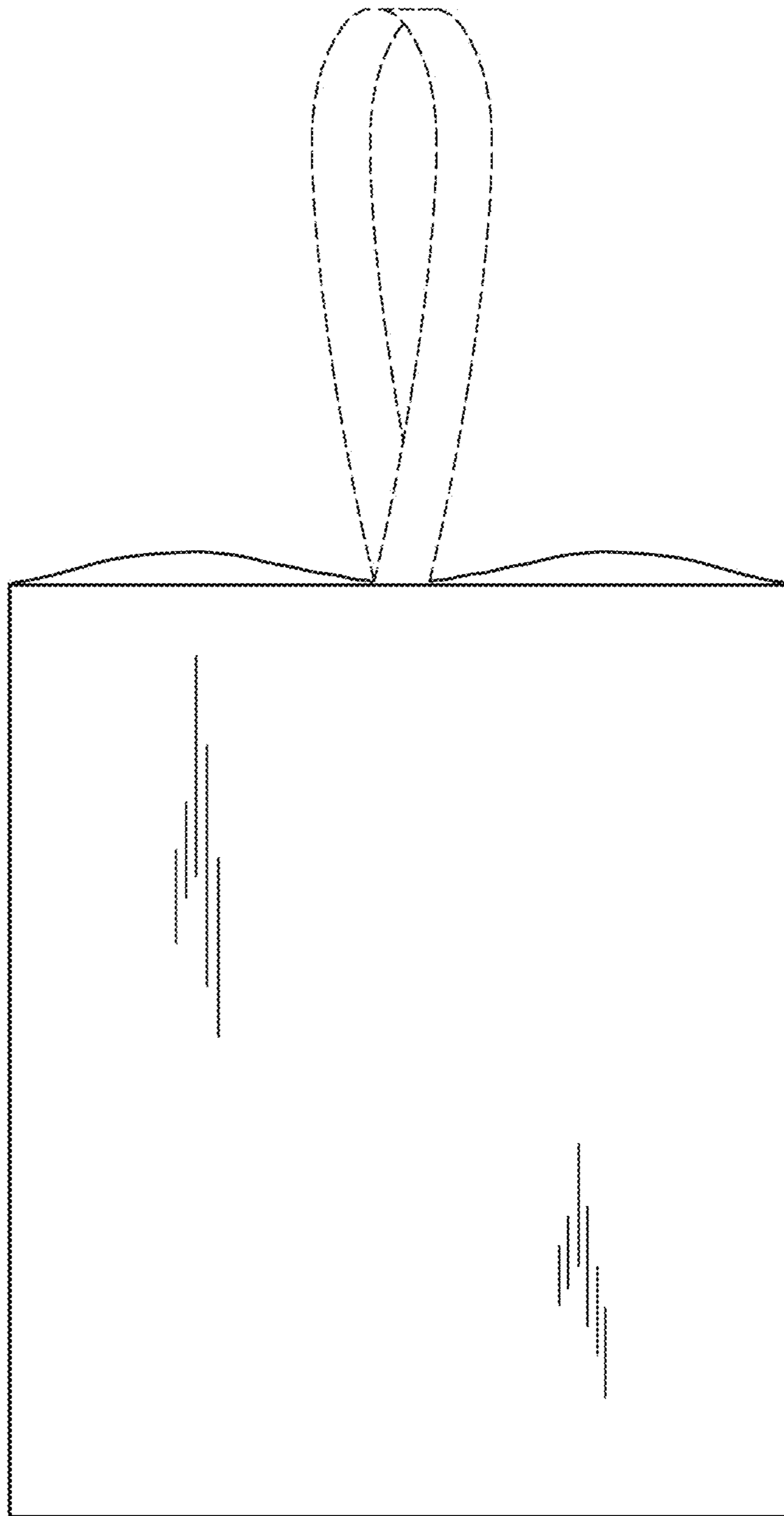


Fig. 11

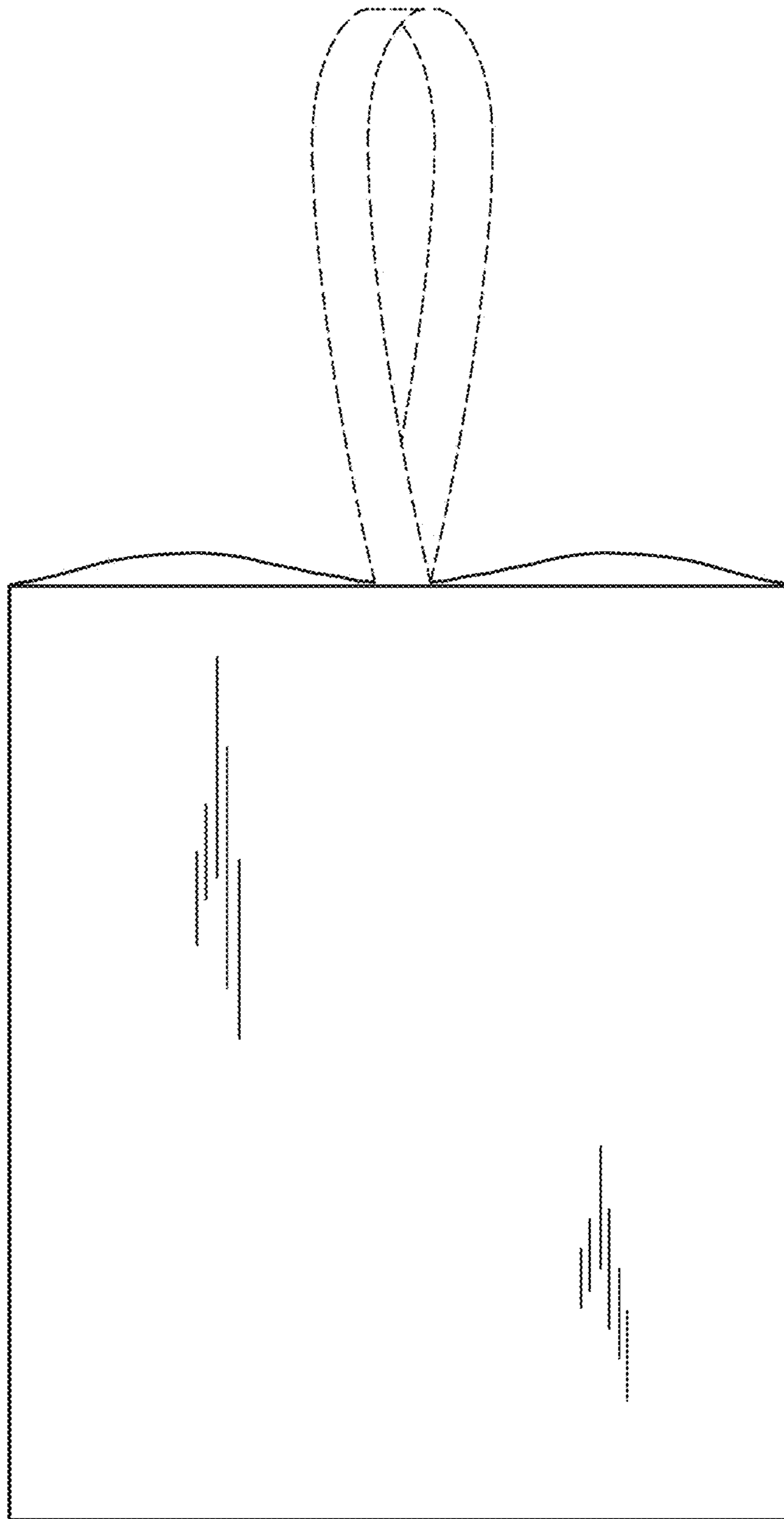


Fig. 12

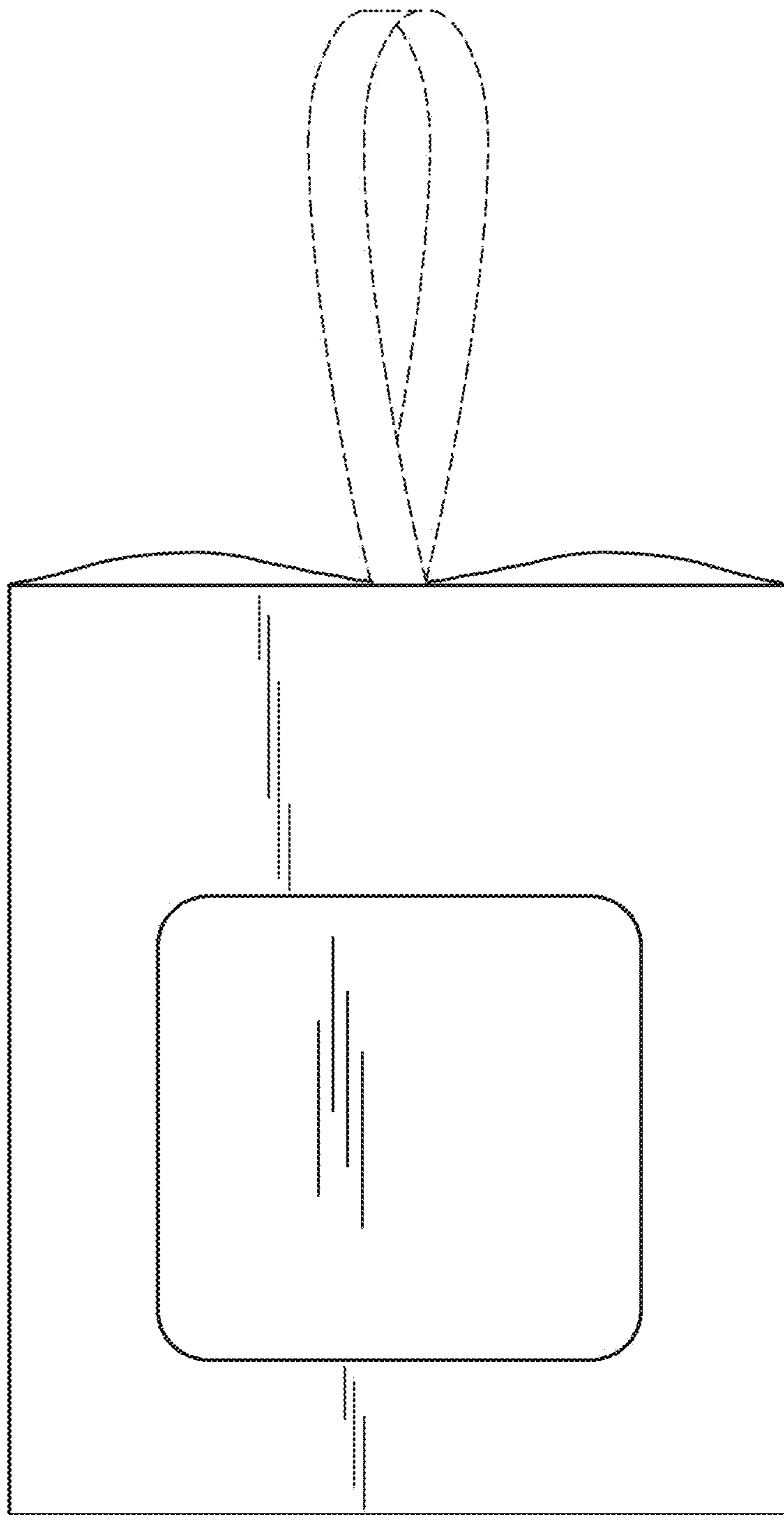


Fig. 13

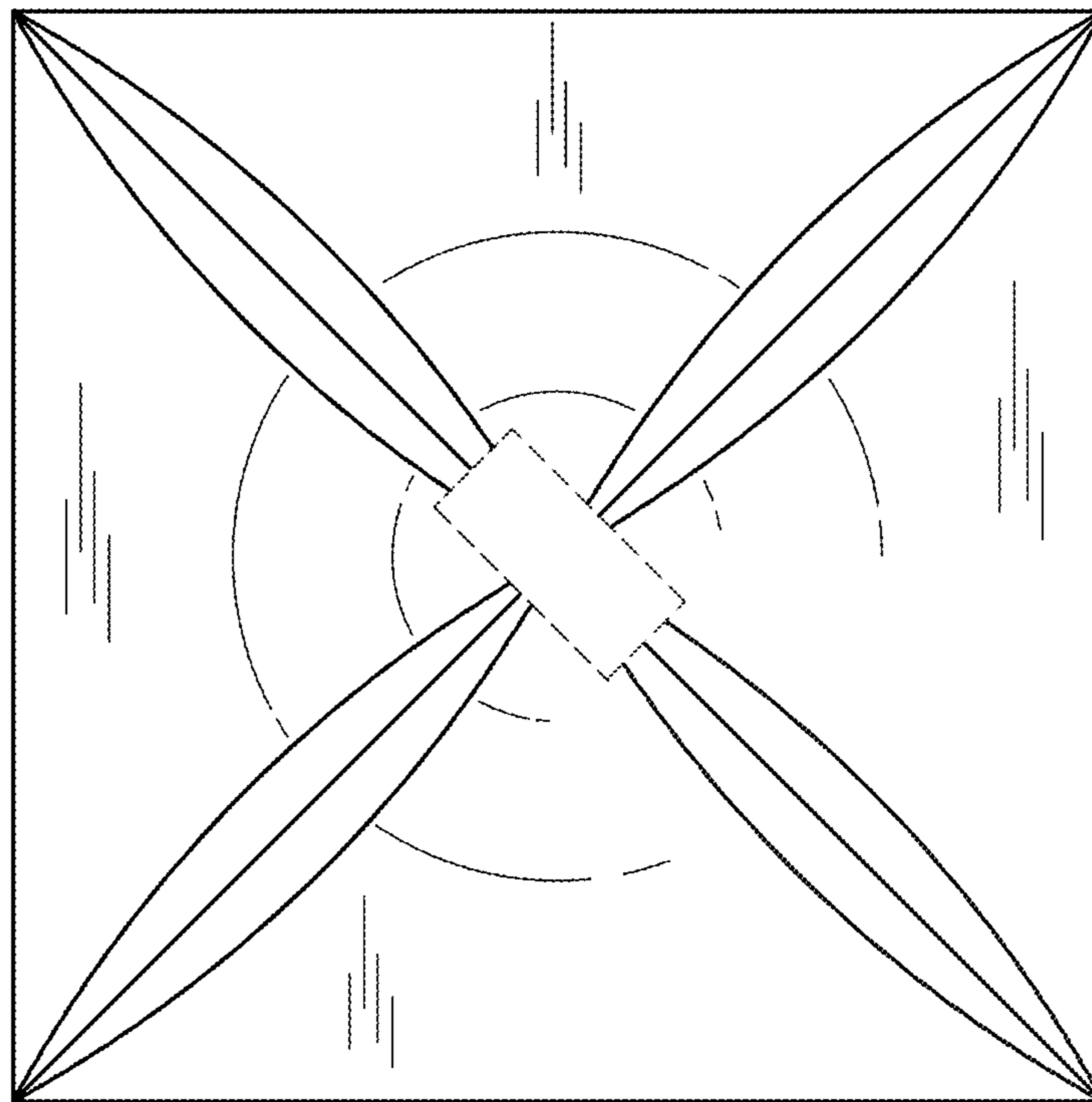


Fig. 14

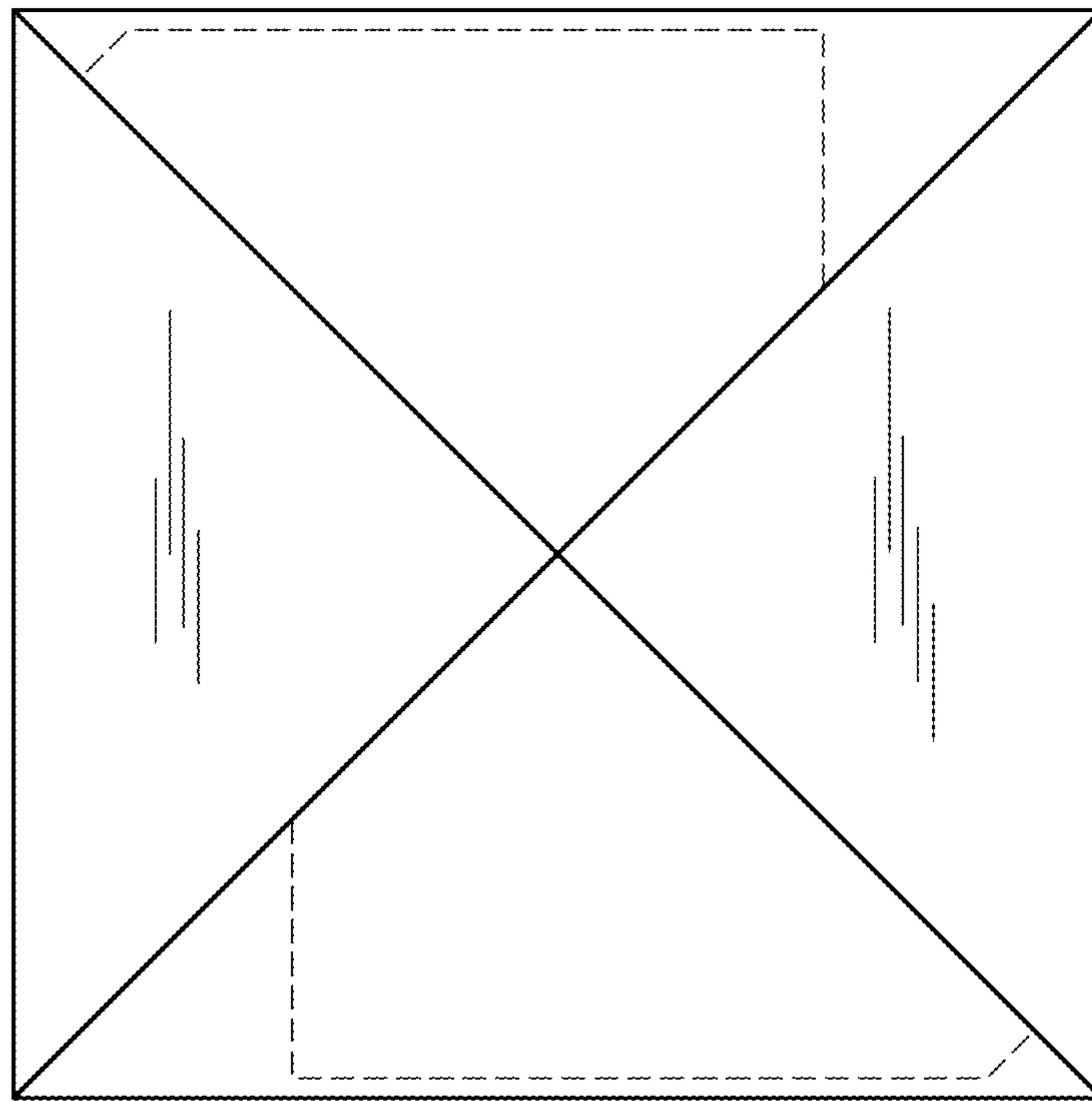


Fig. 15

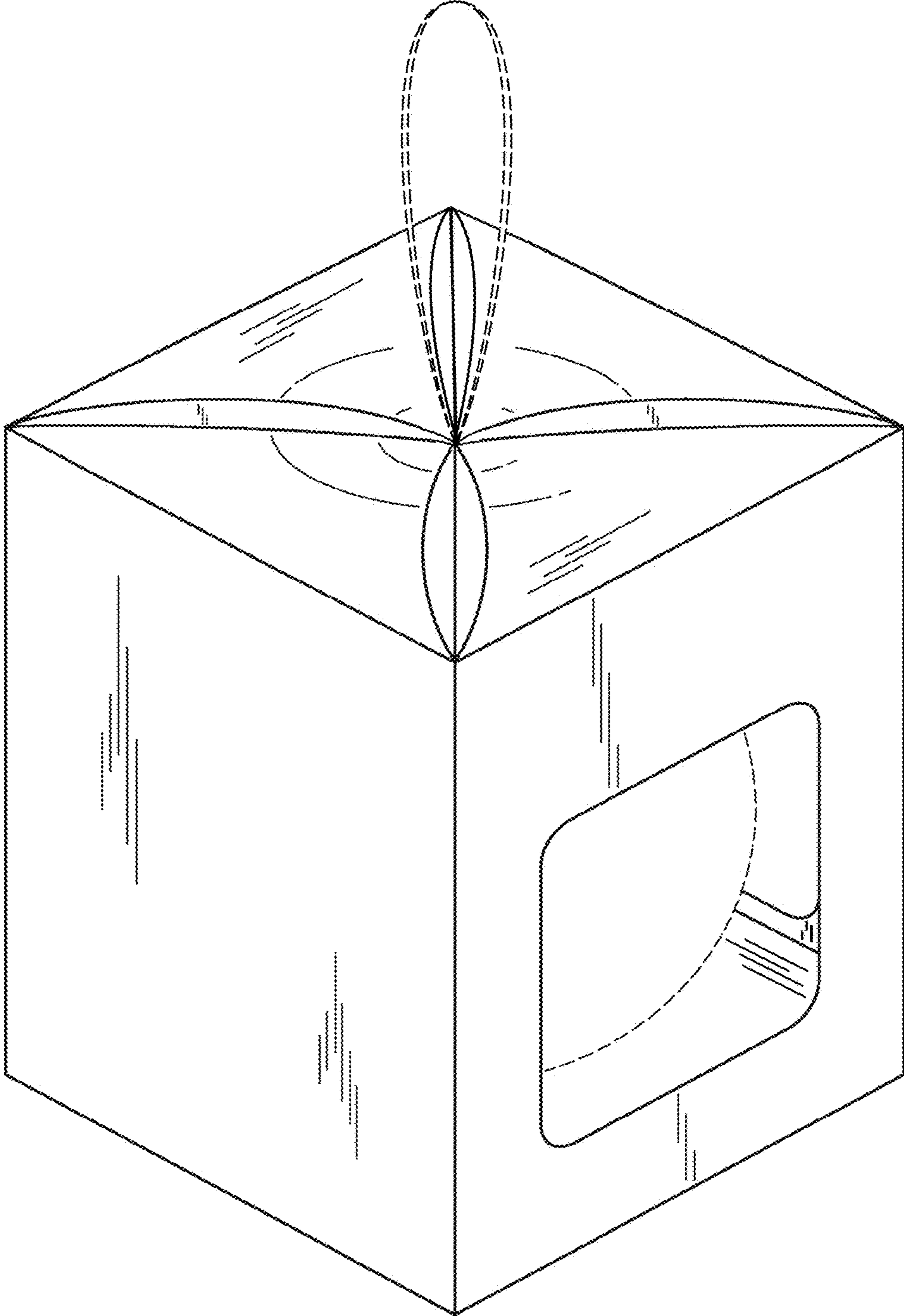


Fig. 16

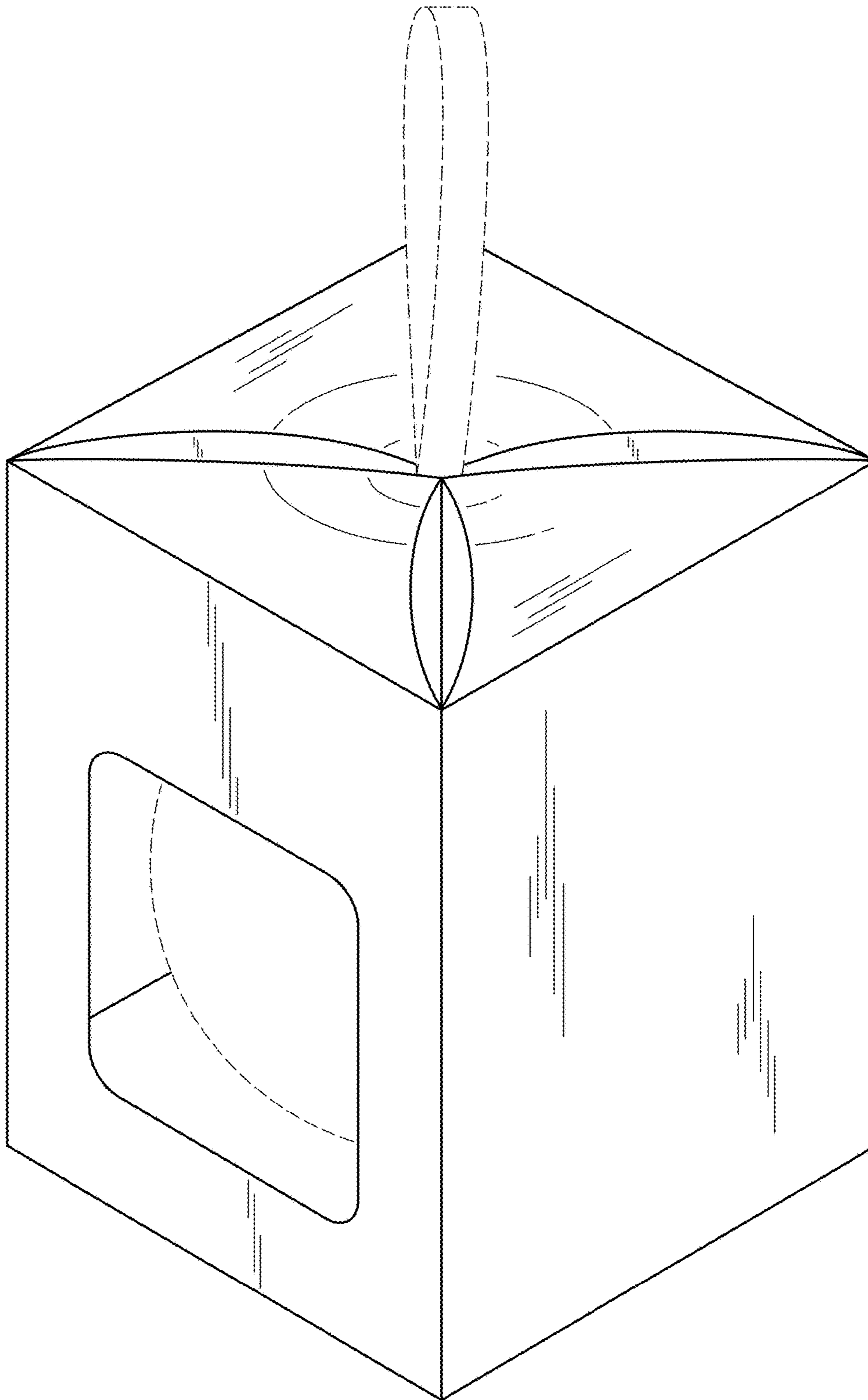


Fig. 17

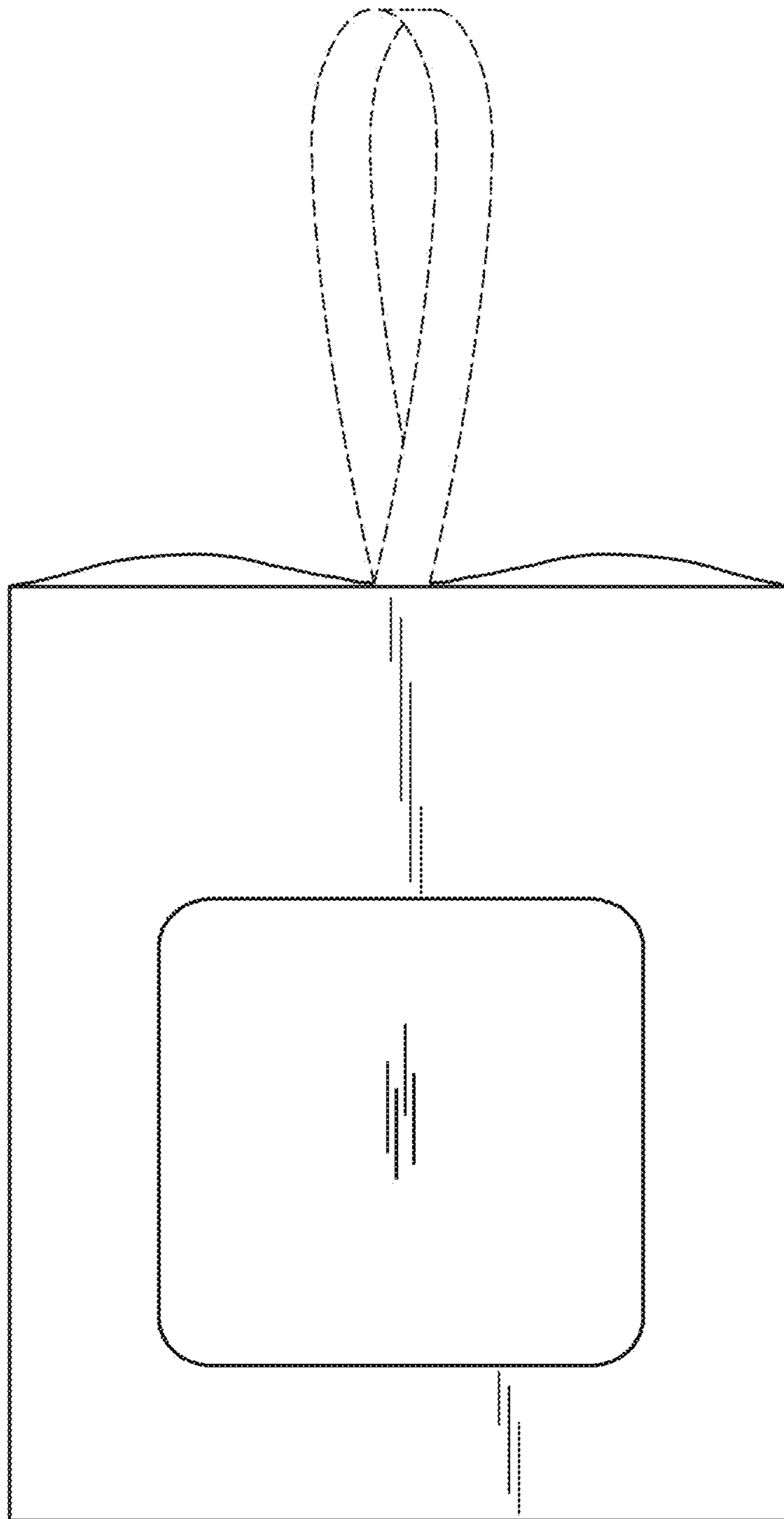


Fig. 18

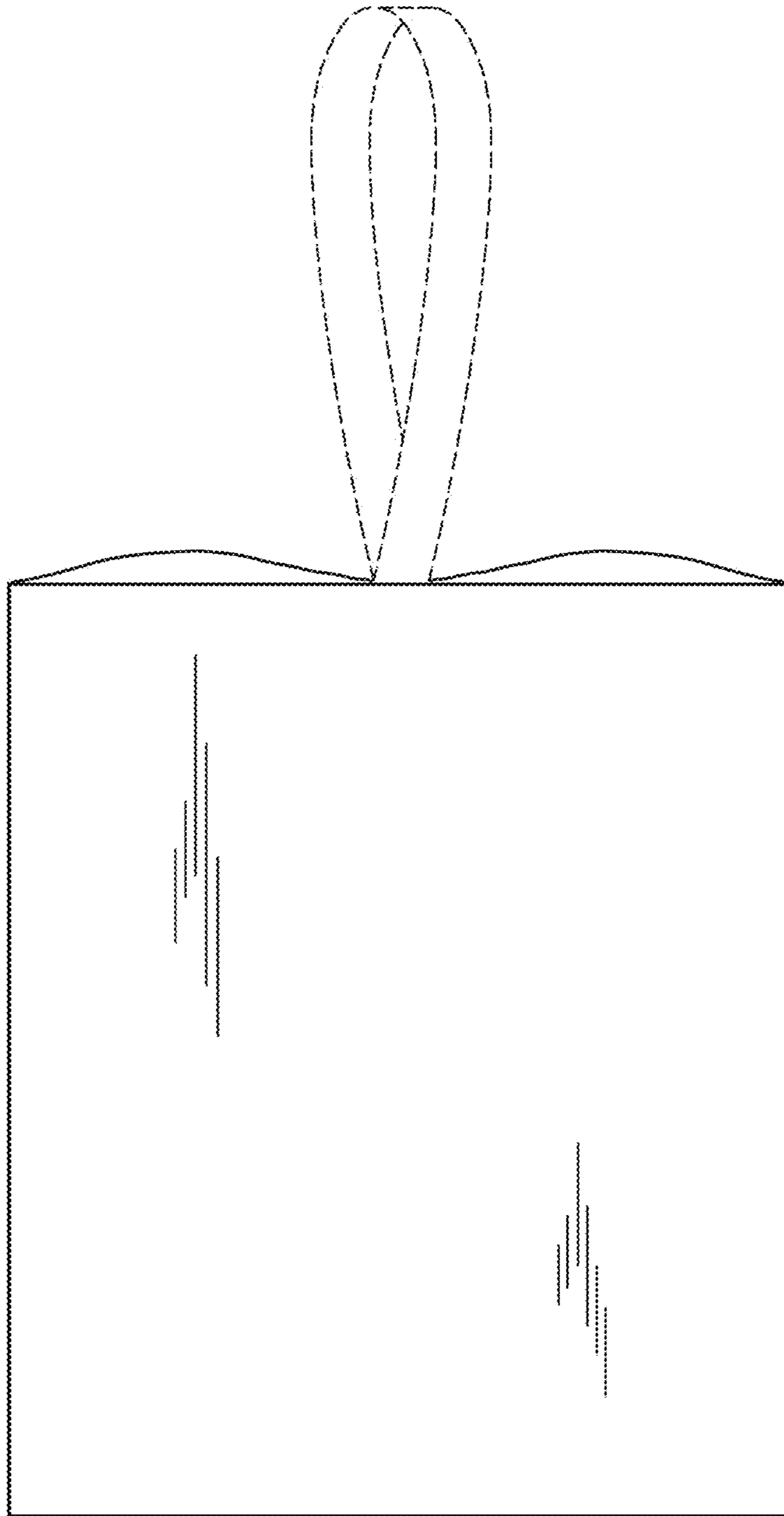


Fig. 19

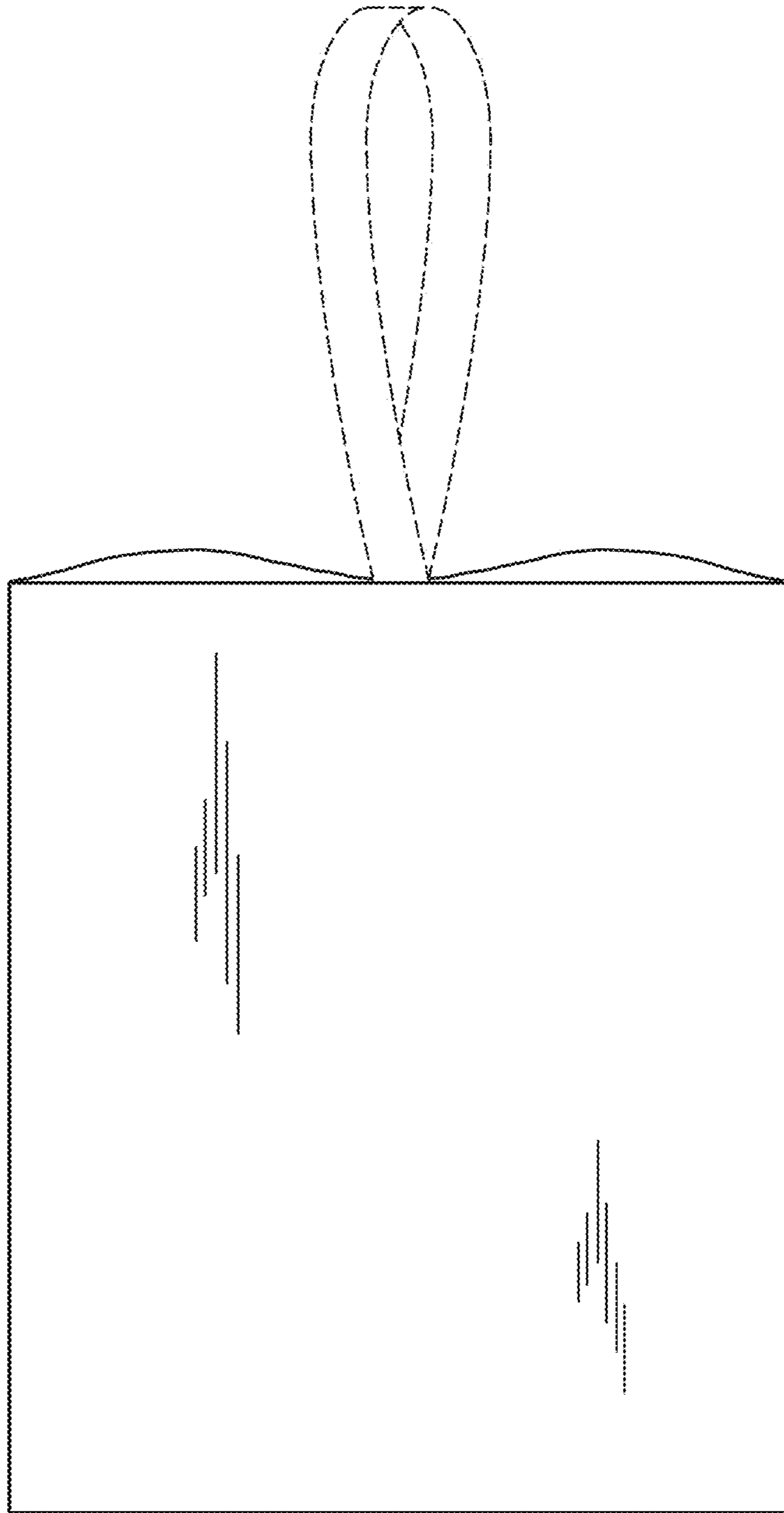


Fig. 20

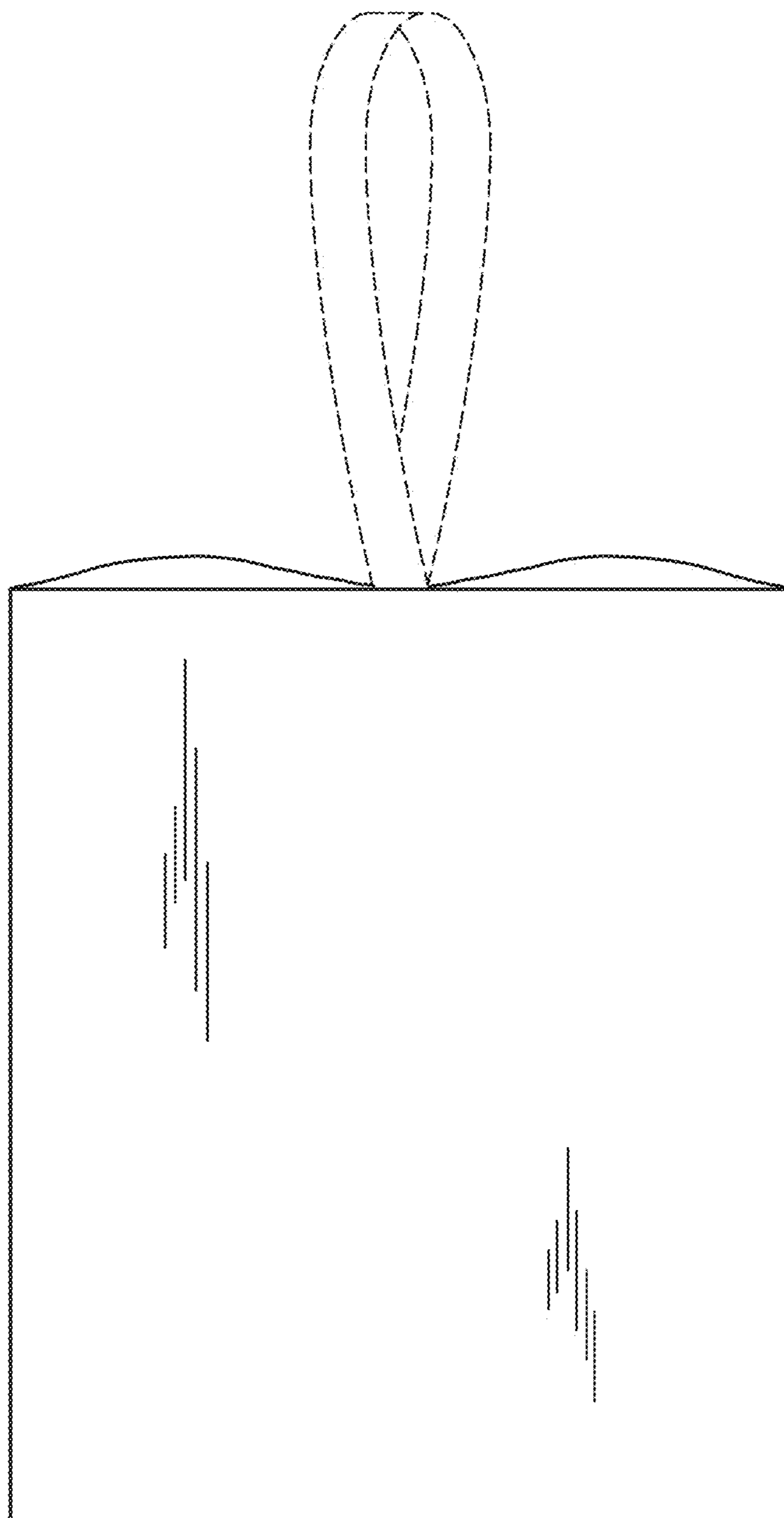


Fig. 21

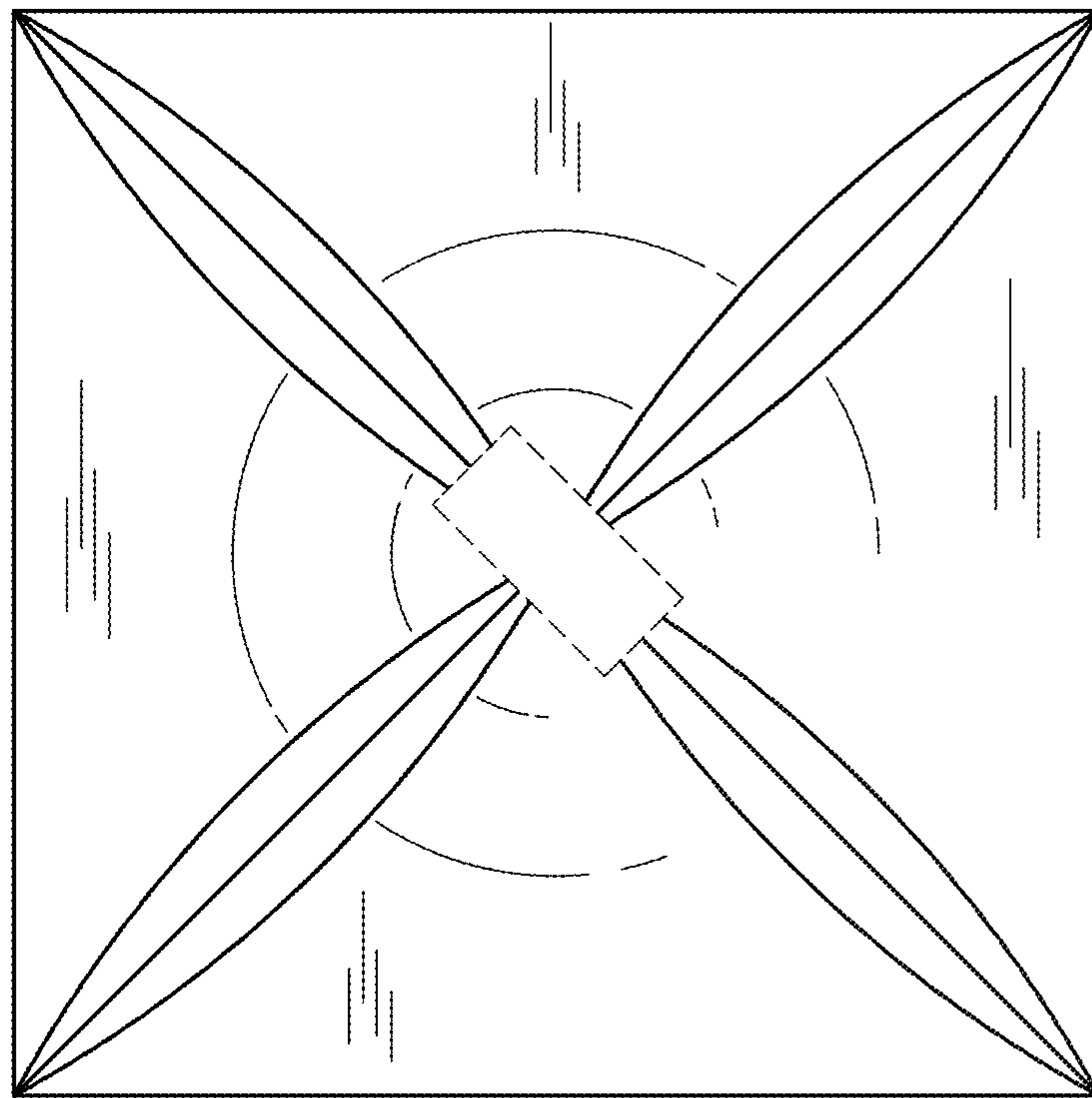


Fig. 22

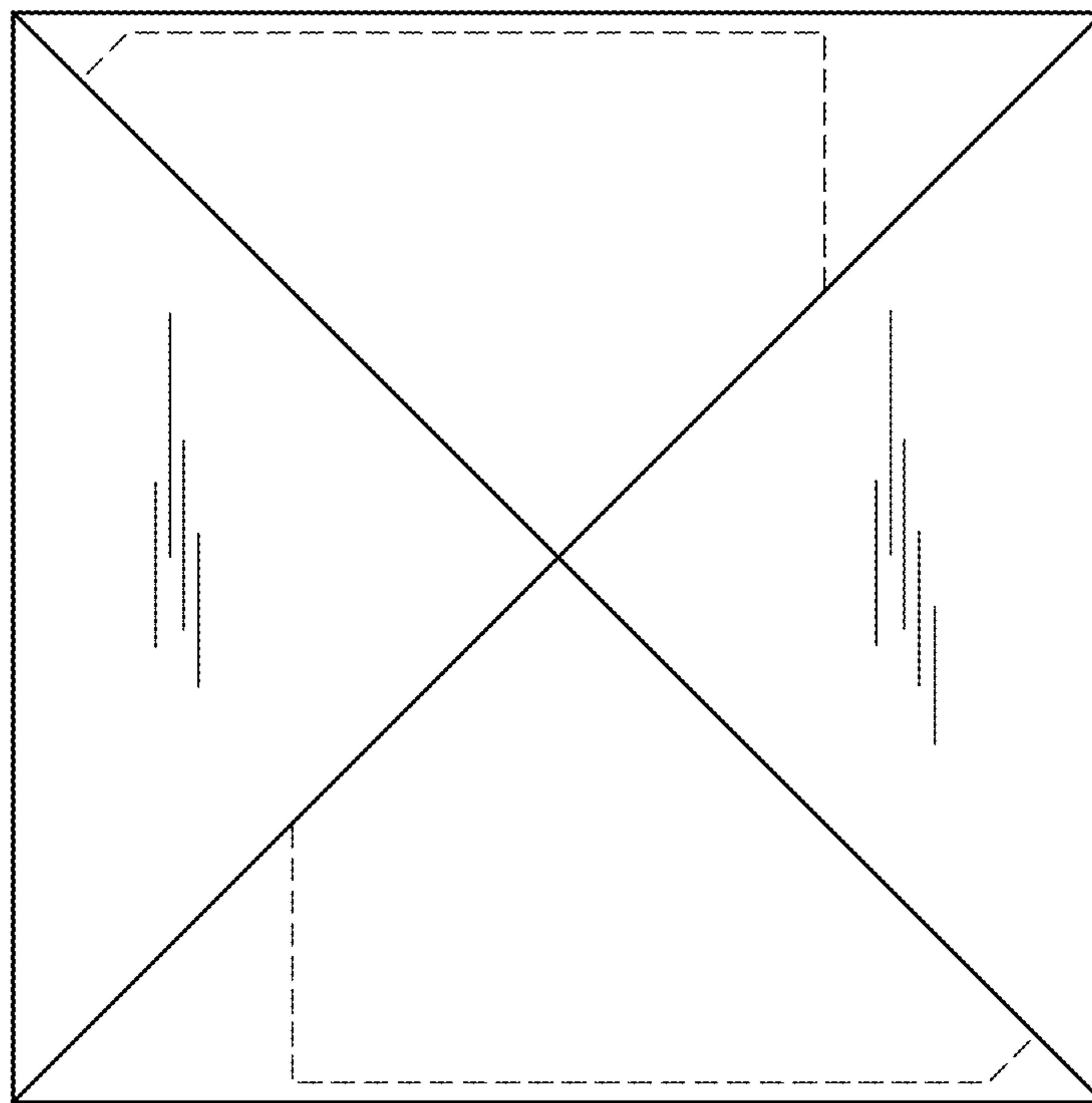


Fig. 23

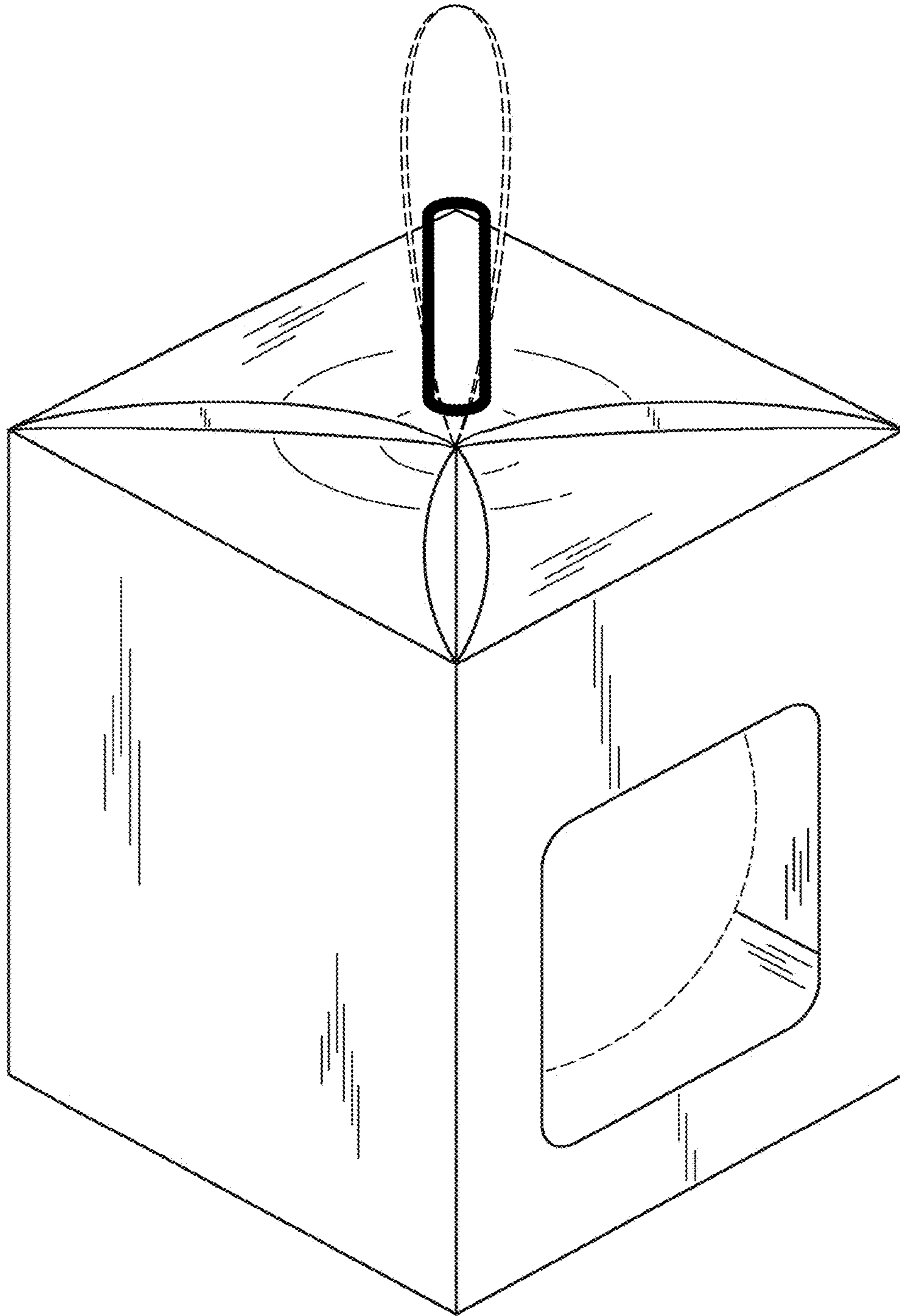


Fig. 24