



US00D792757S

(12) **United States Design Patent**
Brigham et al.

(10) **Patent No.:** **US D792,757 S**
(45) **Date of Patent:** **** Jul. 25, 2017**

(54) **DECK BOARD FASTENER**
(71) Applicant: **SIMPSON STRONG-TIE COMPANY INC.**, Pleasanton, CA (US)
(72) Inventors: **Gueary Andrew Brigham**, Hendersonville, TN (US); **Jeremy Scott Park**, Bethpage, TN (US)

1,241,885 A 10/1917 Roeder
1,714,738 A 5/1929 Elmendorf
1,723,306 A 8/1929 Sipe
1,990,001 A 2/1935 Rutten
2,201,129 A 5/1940 Weiland
2,332,081 A 10/1943 Hunt et al.
2,337,156 A 12/1943 Elmendorf

(Continued)

(73) Assignee: **SIMPSON STRONG-TIE COMPANY INC.**, Pleasanton, CA (US)

FOREIGN PATENT DOCUMENTS

CA 2287104 A1 1/2001
CH 278212 10/1951

(Continued)

(**) Term: **15 Years**

Primary Examiner — Sandra Snapp

Assistant Examiner — Ieisha Price

(21) Appl. No.: **29/568,619**

(74) *Attorney, Agent, or Firm* — Shartsis Friese LLP;
Cecily Anne O'Regan

(22) Filed: **Jun. 20, 2016**

(51) **LOC (10) Cl.** **08-08**

(52) **U.S. Cl.**
USPC **D8/382**

(57) **CLAIM**

The ornamental design for a deck board fastener, as shown and described.

(58) **Field of Classification Search**
USPC D8/382, 349, 354, 363, 373, 374, 380, D8/394, 499

DESCRIPTION

CPC Y10T 403/4602; Y10T 403/553; Y10T 403/75; E04F 15/02; E04F 15/04; E04F 15/02183; E04F 2015/02088; E04F 2015/02094; E04F 2201/05; E04F 2015/02116; E04F 2015/02122; E04F 2015/02077; F16B 5/002

See application file for complete search history.

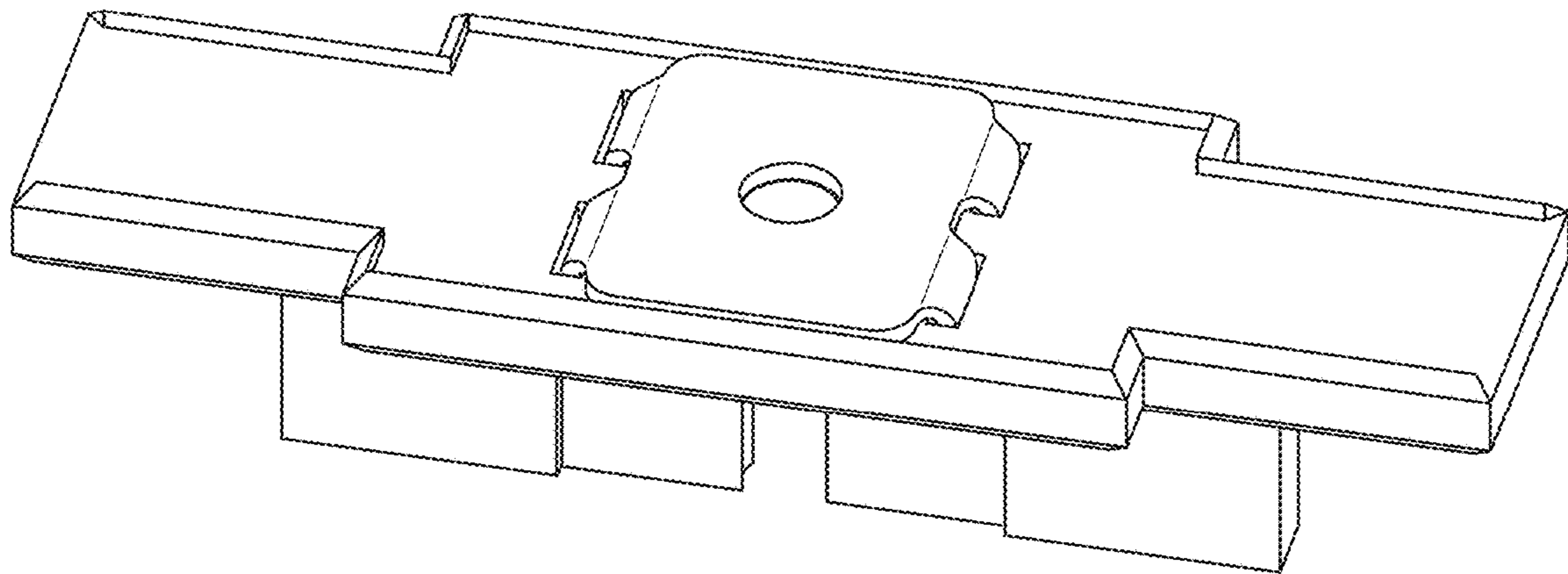
FIG. 1 is a top perspective view of a deck board fastener without the clip engaged;
FIG. 2 is a top perspective view of a deck board fastener with the clip engaged;
FIG. 3 is a bottom perspective view of a deck board fastener of FIG. 2;
FIG. 4 is a top plan view of a deck board fastener deck bed fastener of FIG. 2;
FIG. 5 is a bottom plan view of a deck board fastener of FIG. 2;
FIG. 6 is a left side view of a deck board fastener of FIG. 2;
FIG. 7 is a right side view of a deck board fastener of FIG. 2;
FIG. 8 is a front view of a deck board fastener of FIG. 2; and,
FIG. 9 is a back view of a deck board fastener of FIG. 2.

(56) **References Cited**

U.S. PATENT DOCUMENTS

186,463 A 1/1877 Dickenson
466,995 A 1/1892 Abramson
651,884 A 6/1900 Platz
695,722 A 3/1902 Heilmann
1,184,080 A 5/1916 DiArcy

1 Claim, 7 Drawing Sheets



(56)

References Cited

U.S. PATENT DOCUMENTS

2,362,252	A	11/1944	Ellinwood	6,298,533	B1	10/2001	Nishimura et al.
2,398,603	A	4/1946	Soderberg	6,314,699	B1	11/2001	West
2,406,387	A	8/1946	Lank	D451,785	S	12/2001	Chaney et al.
2,526,116	A	10/1950	Browne	6,363,677	B1	4/2002	Chen et al.
3,045,294	A	7/1962	Livezey, Jr.	6,367,224	B1	4/2002	Leek
3,152,628	A	10/1964	Strain et al.	6,402,415	B1	6/2002	Eberle, III
3,293,106	A	12/1966	Cocco et al.	D461,116	S	8/2002	Aoki
3,319,983	A	5/1967	Jules	6,440,525	B1	8/2002	Kessler et al.
3,458,618	A	7/1969	Burns et al.	D462,255	S	9/2002	Aoki
3,619,963	A	11/1971	Omholt	D462,601	S	9/2002	Chaney
3,705,002	A	12/1972	Varlonga	6,442,908	B1	9/2002	Naccarato et al.
3,845,860	A	11/1974	Ladouceur et al.	6,449,918	B1	9/2002	Nelson
3,890,753	A	6/1975	Johansen	D464,873	S	10/2002	Nemoto
3,899,116	A	8/1975	Mims	6,460,306	B1	10/2002	Nelson
3,973,151	A	8/1976	Bowcott	6,470,641	B1	10/2002	Faure
4,033,083	A	7/1977	Fritz et al.	6,471,434	B2	10/2002	Chin et al.
4,075,924	A	2/1978	McSherry et al.	6,484,467	B2	11/2002	Crout
4,106,962	A	8/1978	Adams et al.	D470,039	S	2/2003	Pelc
4,124,050	A	11/1978	Ackerman	6,651,398	B2	11/2003	Gregori
4,154,172	A	5/1979	Curtis	6,651,400	B1	11/2003	Murphy
D253,865	S	1/1980	Hagglund	6,652,208	B2	11/2003	Gillis
4,181,061	A	1/1980	McSherry	D484,779	S	1/2004	Shibuya
D270,516	S	9/1983	Achille	D485,160	S	1/2004	Pelc
D272,043	S	1/1984	Cowdroy	6,711,864	B2	3/2004	Erwin
4,449,346	A	5/1984	Tremblay	D488,373	S	4/2004	Eberle
4,454,699	A	6/1984	Strobl	6,810,633	B2	11/2004	Harris
4,497,148	A	2/1985	Lopez	6,851,884	B2	2/2005	Eberle
4,527,375	A	7/1985	Braginetz	6,871,467	B2	3/2005	Hafner
4,599,841	A	7/1986	Haid	D504,609	S	5/2005	Ferguson
4,641,988	A	2/1987	Ganner	D515,910	S	2/2006	Gates et al.
D291,057	S	7/1987	Shiraishi	6,997,659	B2	2/2006	Vrana et al.
4,682,458	A	7/1987	Sparrow	7,052,200	B2	5/2006	Harris
4,704,057	A	11/1987	McSherry	D547,168	S	7/2007	Churchill
4,716,704	A	1/1988	Murr	D547,169	S	7/2007	Harris
4,736,507	A	4/1988	Berecz et al.	D554,976	S	11/2007	Hutter, III
D295,496	S	5/1988	Burke et al.	D556,017	S	11/2007	Hutter, III
4,925,141	A	5/1990	Classen	7,299,598	B2	11/2007	Gembala et al.
5,004,027	A	4/1991	Legler et al.	D562,122	S	2/2008	Leman et al.
5,056,286	A	10/1991	Bokor	7,383,663	B2	6/2008	Pacione
5,071,280	A	12/1991	Turner	D573,454	S	7/2008	Eberle, III
5,160,211	A	11/1992	Gilb	7,398,623	B2	7/2008	Martel et al.
D331,470	S	12/1992	Mitchell et al.	7,409,803	B2	8/2008	Grohman
5,182,891	A	2/1993	Slocum	7,427,180	B2	9/2008	Ladouceur et al.
5,243,804	A	9/1993	Therrien et al.	D589,334	S	3/2009	Hotchkiss, III
5,245,808	A	9/1993	Grunewald et al.	7,496,993	B2	3/2009	Kosidlo et al.
5,250,058	A	10/1993	Miller et al.	7,516,586	B2	4/2009	Riccitelli
5,251,996	A	10/1993	Hiller et al.	7,578,105	B2	8/2009	Eberle
5,351,392	A	10/1994	Wing et al.	D600,105	S	9/2009	Harris
5,359,954	A	11/1994	Kordelin	D601,881	S	10/2009	Aichmann
D354,432	S	1/1995	Starman	7,600,353	B2	10/2009	Hafner
5,377,732	A	1/1995	Fujii et al.	7,603,814	B1	10/2009	Hartmann et al.
5,394,667	A	3/1995	Nystrom	D604,599	S	11/2009	Prichard, Jr. et al.
5,419,649	A	5/1995	Gilb	D610,440	S	2/2010	Prichard, Jr. et al.
5,458,433	A	10/1995	Stastny	D615,847	S	5/2010	Tezak et al.
5,480,117	A	1/1996	Fleming	D621,245	S	8/2010	Heindl
5,499,440	A	3/1996	Satoh et al.	D621,246	S	8/2010	Heindl
5,529,428	A	6/1996	Bischof	D622,131	S	8/2010	Tezak et al.
5,564,248	A	10/1996	Callies	D622,579	S	8/2010	Heindl
5,603,580	A	2/1997	Leek et al.	7,805,902	B2	10/2010	Martel
5,619,834	A	4/1997	Chen	7,874,113	B2	1/2011	Eberle
D380,667	S	7/1997	Kanamori et al.	7,984,599	B2	7/2011	Snell et al.
D382,466	S	8/1997	Hirose	8,011,153	B2	9/2011	Orchard
5,660,016	A	8/1997	Erwin et al.	8,066,464	B1	11/2011	Van Dyke
5,704,181	A	1/1998	Fisher et al.	D658,044	S	4/2012	Cheng
D392,877	S	3/1998	Eguchi	8,161,702	B2	4/2012	Eberle
5,730,544	A	3/1998	Dils et al.	8,191,327	B2	6/2012	Griffiths et al.
5,743,672	A	4/1998	Cline	D664,836	S	8/2012	Kikuchi
5,746,535	A	5/1998	Kohler	D665,657	S	8/2012	Pelc
D396,406	S	7/1998	Eguchi	8,256,614	B1	9/2012	Wadsworth
D410,194	S	5/1999	Hilton et al.	8,287,206	B2	10/2012	Eberle
D413,508	S	9/1999	Shibao	8,291,666	B1	10/2012	Garrison
6,012,256	A	1/2000	Aschheim	D671,394	S	11/2012	Derry
6,032,431	A	3/2000	Sugiyama	8,393,125	B2	3/2013	Martel
D427,050	S	6/2000	Bryan	8,464,488	B2	6/2013	Pelc
D435,433	S	12/2000	Miller et al.	8,544,229	B2	10/2013	Kilgore et al.
				8,555,570	B2	10/2013	Martel
				8,615,958	B2	12/2013	Kilgore et al.
				D697,390	S	1/2014	Petry
				8,672,600	B2	3/2014	Reznar et al.

(56)

References Cited

U.S. PATENT DOCUMENTS

D708,936 S 7/2014 Bridgewater et al.
 8,806,829 B2 8/2014 Pelc et al.
 D713,242 S 9/2014 Magan
 9,003,624 B2 4/2015 Wadsworth
 D731,874 S 6/2015 Lin
 D732,925 S 6/2015 Lin
 D738,194 S 9/2015 Baldoni et al.
 D740,113 S 10/2015 Olenick
 9,200,456 B2 12/2015 Murphy
 D751,369 S 3/2016 Baldoni et al.
 9,369,936 B2 6/2016 Chin et al.
 D769,109 S * 10/2016 Kaiser D8/382
 D774,385 S * 12/2016 Kaiser D8/382
 2002/0059766 A1 5/2002 Gregori
 2002/0121064 A1 * 9/2002 Erwin E01C 5/22
 52/586.1
 2003/0123924 A1 7/2003 Eberle
 2004/0020152 A1 * 2/2004 Harris, Sr. E04B 5/12
 52/582.1
 2004/0045244 A1 * 3/2004 Hafner E04B 5/12
 52/489.1
 2004/0182034 A1 9/2004 Eberle, III
 2004/0184878 A1 9/2004 Eberle, III
 2005/0063771 A1 3/2005 Harris
 2005/0252156 A1 11/2005 Martel et al.
 2006/0107612 A1 5/2006 Pelc
 2006/0147672 A1 7/2006 Ruiz
 2006/0283122 A1 12/2006 Burgess et al.
 2007/0066096 A1 3/2007 Gillis et al.
 2007/0289249 A1 12/2007 Martel
 2008/0222993 A1 9/2008 Prichard et al.
 2008/0240886 A1 10/2008 Martel et al.
 2008/0279654 A1 11/2008 Deschamps
 2009/0019805 A1 1/2009 Zanelli
 2009/0217495 A1 9/2009 Tipps et al.
 2010/0180532 A1 7/2010 Martel
 2011/0123290 A1 5/2011 Wadsworth
 2012/0110944 A1 5/2012 Hess
 2013/0022392 A1 1/2013 Eberle, III
 2013/0104493 A1 5/2013 Orchard
 2013/0340377 A1 12/2013 Shadwell

2014/0058958 A1 2/2014 Billings
 2014/0174025 A1 6/2014 Kinnunen et al.
 2014/0186109 A1 7/2014 Wadsworth
 2014/0294535 A1 10/2014 Waterman et al.
 2015/0202678 A1 7/2015 Wadsworth
 2015/0275951 A1 10/2015 Shadwell et al.
 2015/0354204 A1 * 12/2015 Kinnunen E04F 15/02044
 248/228.5

FOREIGN PATENT DOCUMENTS

CN 301456141 S 2/2011
 CN 302533206 S 8/2013
 CN 302813045 5/2014
 DE 372483 3/1923
 DE 4036338 A1 6/1991
 EP 863317 A2 9/1998
 FR 1217468 12/1959
 FR 1556252 12/1968
 FR 2647837 A1 12/1990
 GB 1350754 4/1974
 GB 1567008 A 5/1980
 GB 2124672 A 2/1984
 JP 4371657 A 12/1992
 JP 7189451 A 7/1995
 WO 9409280 4/1994
 WO 00/28170 A1 5/2000
 WO 03016727 A 2/2003
 WO 2004072405 A1 8/2004
 WO 2005103509 A1 11/2005
 WO 2005121569 A1 12/2005
 WO 2008070285 A1 6/2008
 WO 2009099664 A1 8/2009
 WO 2010071930 A1 7/2010
 WO 2011045992 A1 4/2011
 WO 2011163653 A2 12/2011
 WO 2013007878 A1 1/2013
 WO 2013076585 A2 5/2013
 WO D080520003 9/2013
 WO 2014058958 A1 4/2014
 WO 2014128340 A1 8/2014
 WO 2014179838 A1 11/2014
 WO D085122001 12/2014

* cited by examiner

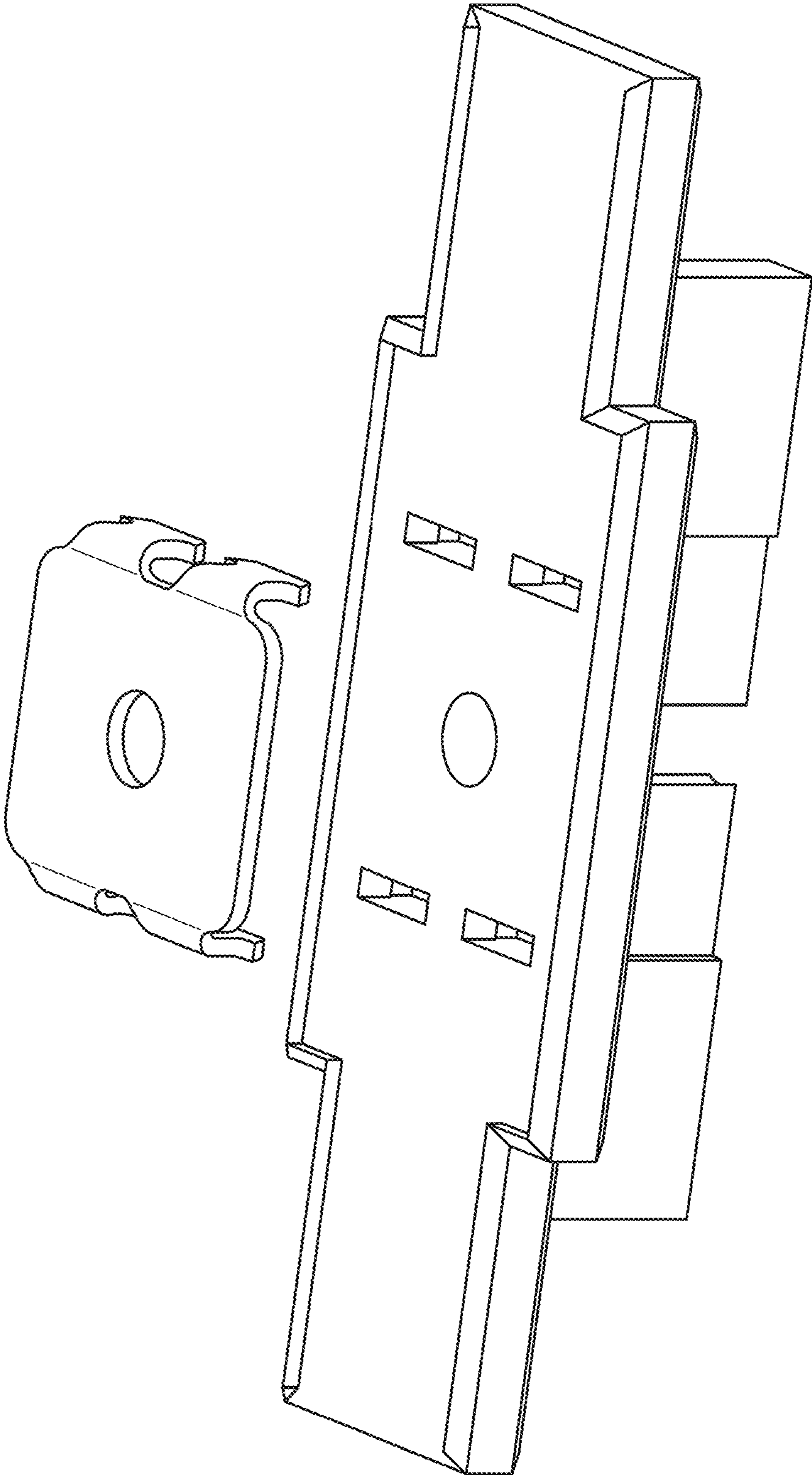


Fig. 1

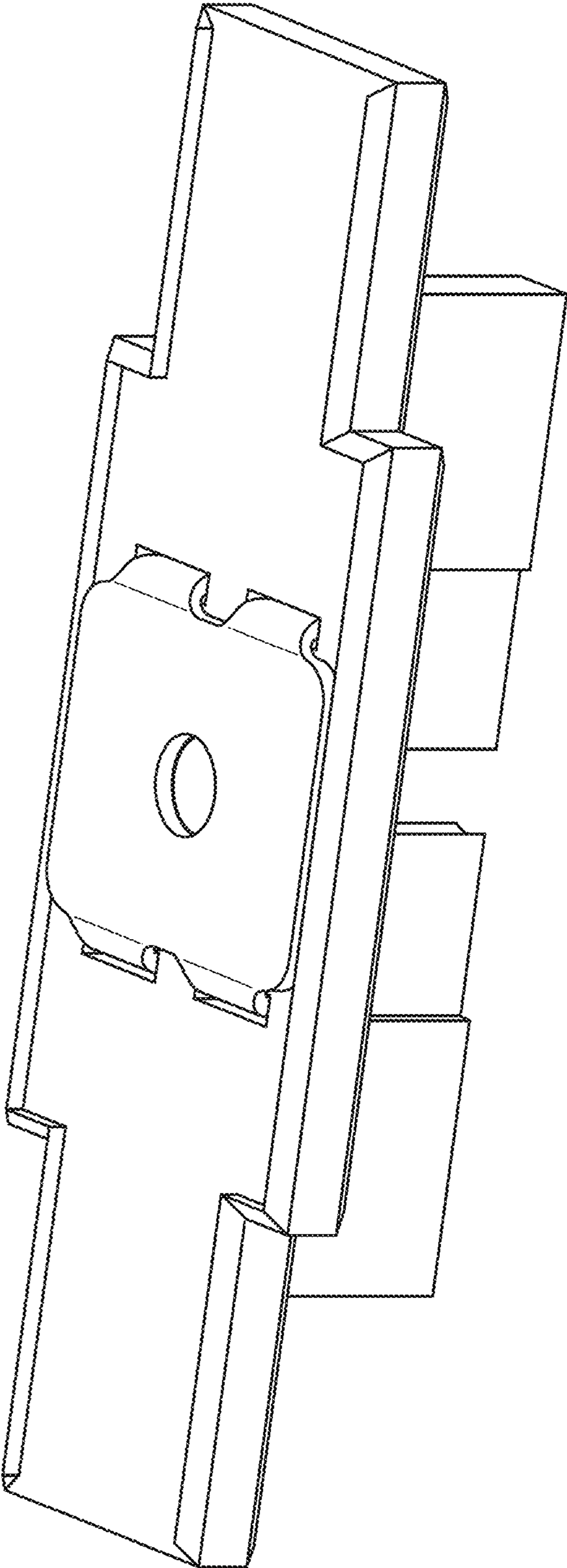


Fig. 2

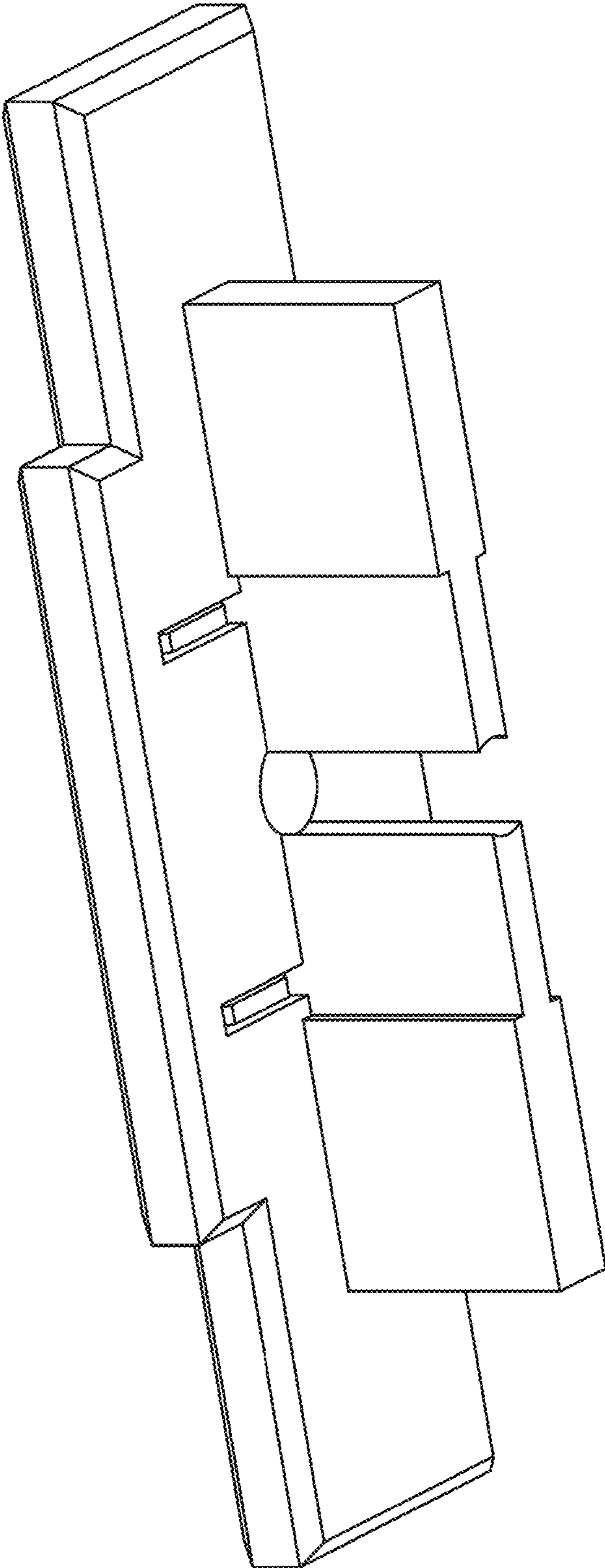


Fig. 3

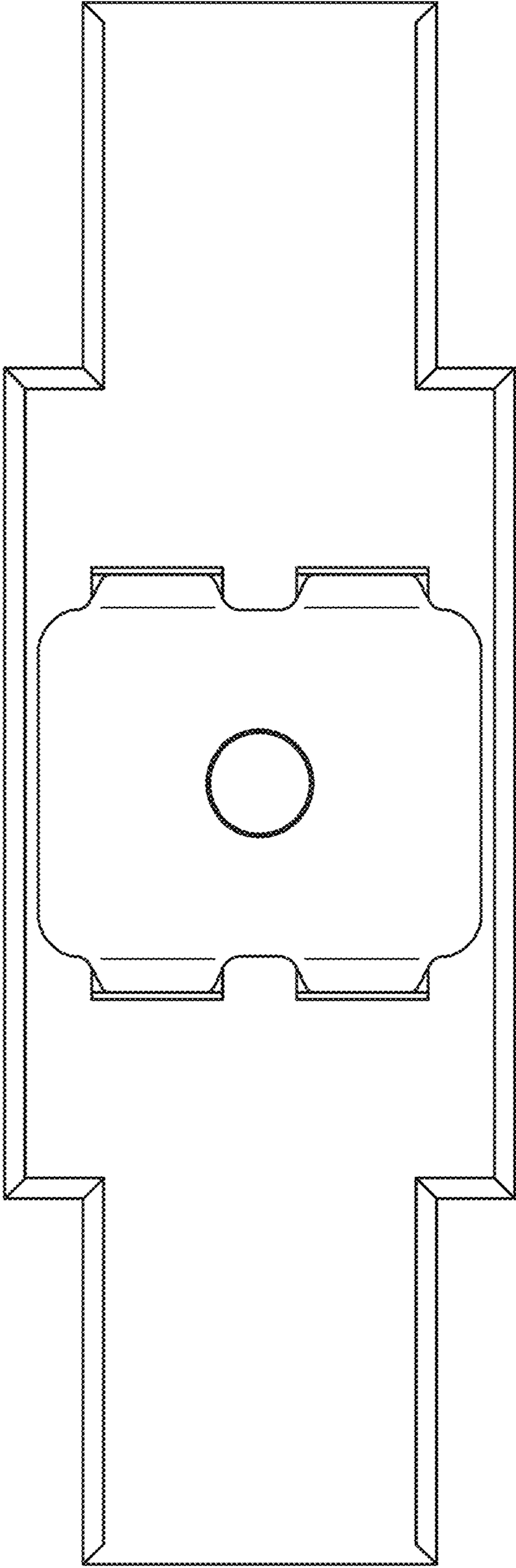


Fig. 4

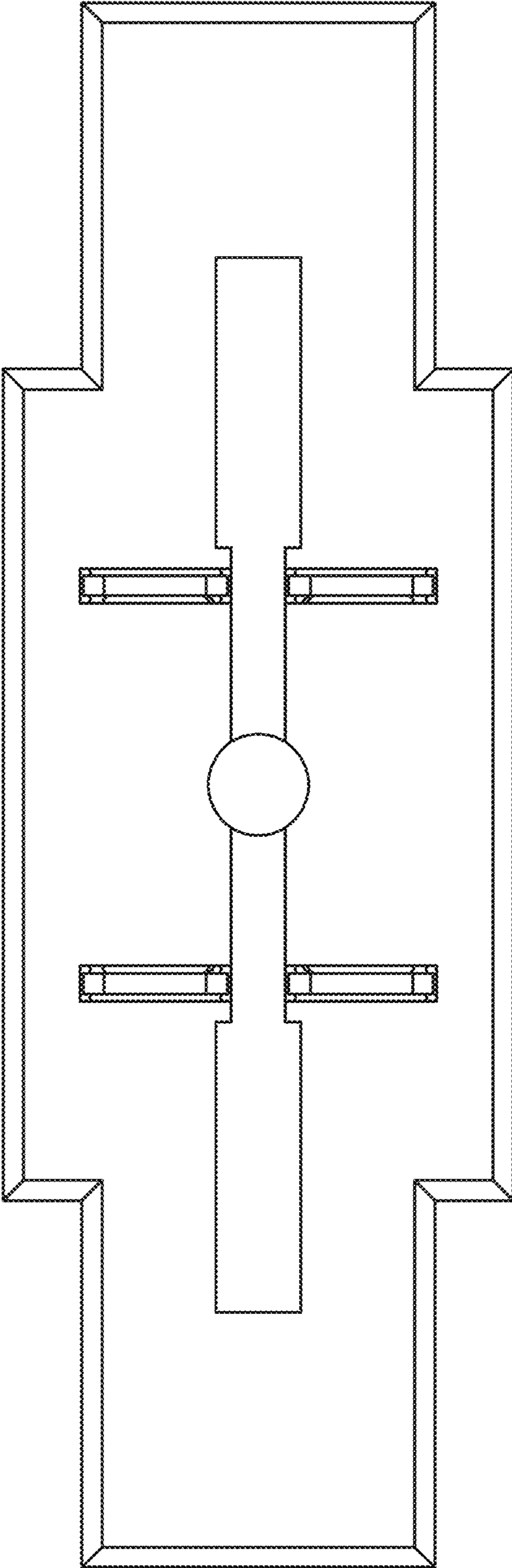


Fig. 5

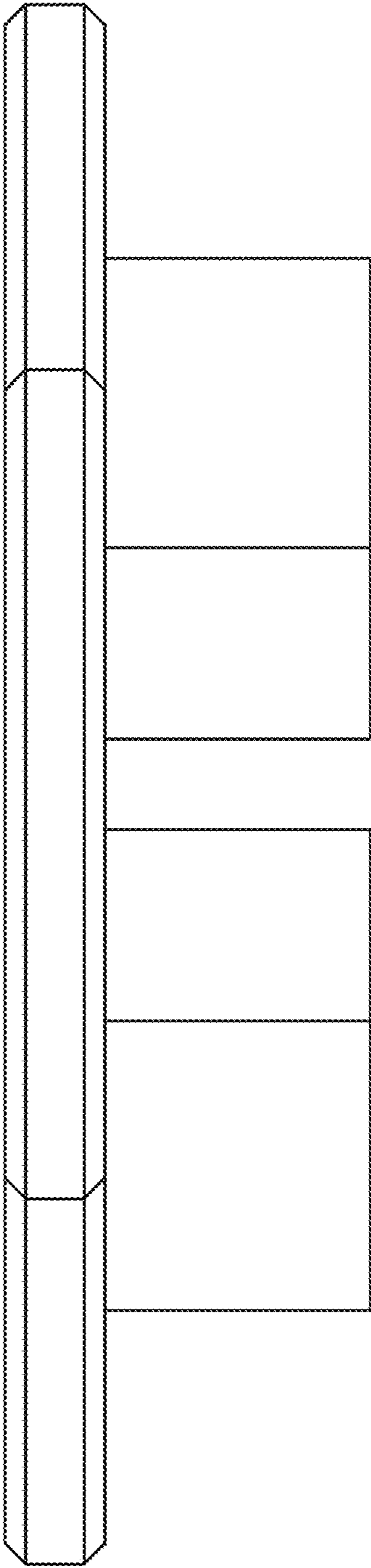


Fig. 6

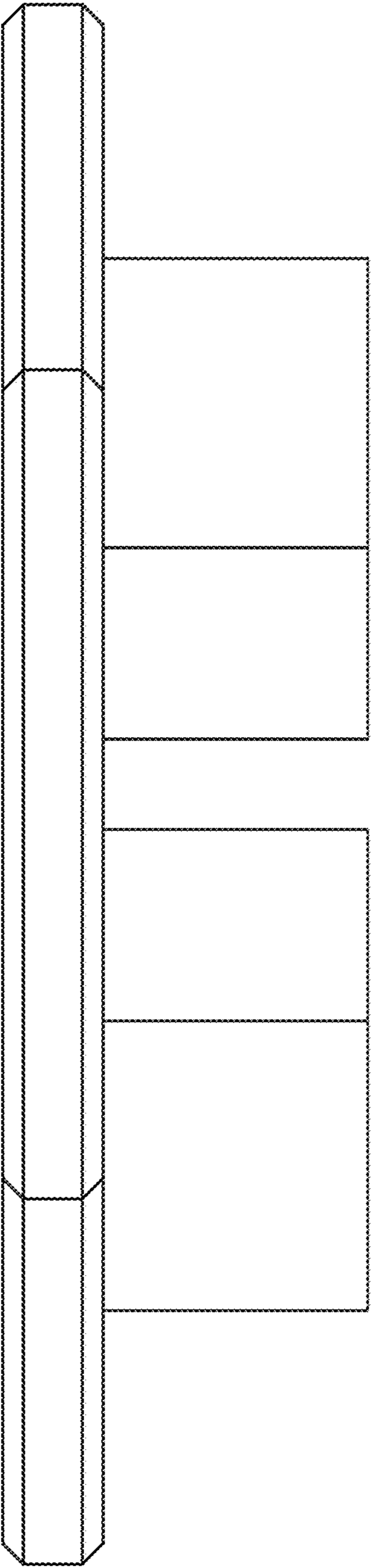


Fig. 7

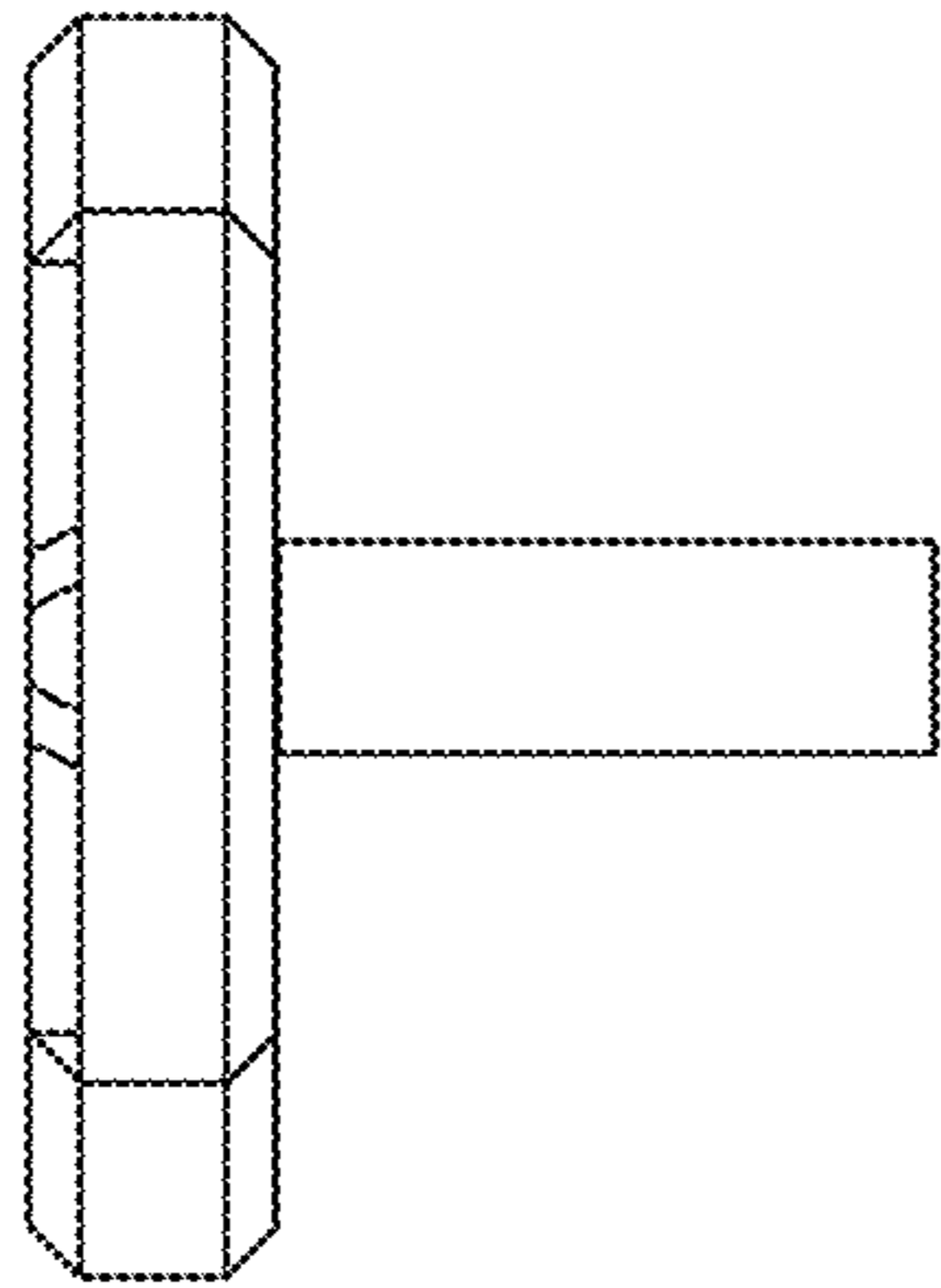


Fig. 8

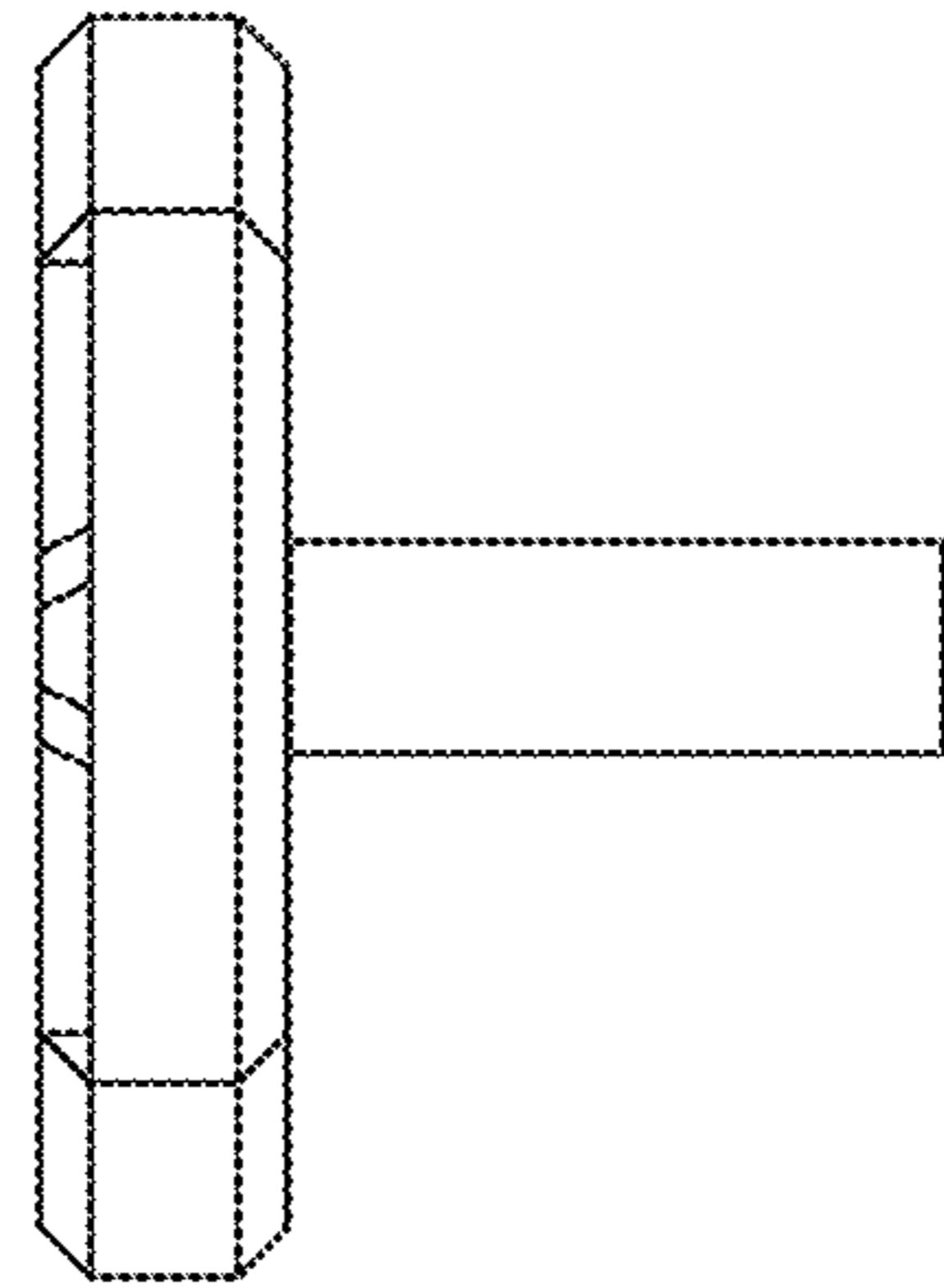


Fig. 9