



US00D792755S

(12) **United States Design Patent** (10) **Patent No.:** **US D792,755 S**
Adams (45) **Date of Patent:** **** Jul. 25, 2017**

- (54) **SPOUT**
- (71) Applicant: **Omar Adams**, Bellevue, WA (US)
- (72) Inventor: **Omar Adams**, Bellevue, WA (US)
- (**) Term: **15 Years**
- (21) Appl. No.: **29/541,541**
- (22) Filed: **Oct. 5, 2015**

Related U.S. Application Data

- (63) Continuation-in-part of application No. 14/875,339, filed on Oct. 5, 2015.
- (51) **LOC (10) Cl.** **08-05**
- (52) **U.S. Cl.**
USPC **D8/354**; D32/53
- (58) **Field of Classification Search**
USPC D8/354; 220/570; D9/447; D32/53,
D32/53.1, 54
CPC B65D 25/20
See application file for complete search history.

(56) **References Cited**

U.S. PATENT DOCUMENTS

2,106,381	A *	1/1938	Rough	B65D 25/48 222/570
2,767,891	A *	10/1956	Beadles	B65D 25/48 220/701
2,802,609	A *	8/1957	Donovan	B65D 25/48 220/697
3,102,667	A *	9/1963	Ullevig	B65D 25/48 222/569
3,252,635	A *	5/1966	Rosenhan	B65D 25/20 220/4.03
3,272,395	A *	9/1966	Lawyer	B65D 47/12 220/731
D283,492	S *	4/1986	Nitsch	D9/436

5,195,662	A *	3/1993	Neff	B65D 25/48 220/700
5,213,239	A *	5/1993	Macaluso	B44D 3/12 222/567
D377,900	S *	2/1997	Ford	D9/435
D380,678	S *	7/1997	Borgstede	D9/440
6,296,158	B1 *	10/2001	Zhou	B65D 25/48 222/570
D456,259	S *	4/2002	Groenewald	D9/447
D476,787	S *	7/2003	Templeton	D32/54
D489,261	S *	5/2004	Doelling	D32/54
D654,360	S *	2/2012	Traxler	D32/54
8,757,453	B1 *	6/2014	Olsson	B65D 25/48 220/700
D729,483	S *	5/2015	Kent	D32/54
9,475,613	B2 *	10/2016	Kent	B44D 3/128
2004/0065698	A1 *	4/2004	Braunstein	B44D 3/128 222/570

(Continued)

Primary Examiner — Lakiya Rogers
Assistant Examiner — Harold E Blackwell, II
 (74) *Attorney, Agent, or Firm* — Michelle E. Carey;
 Telekta Law, P.S.

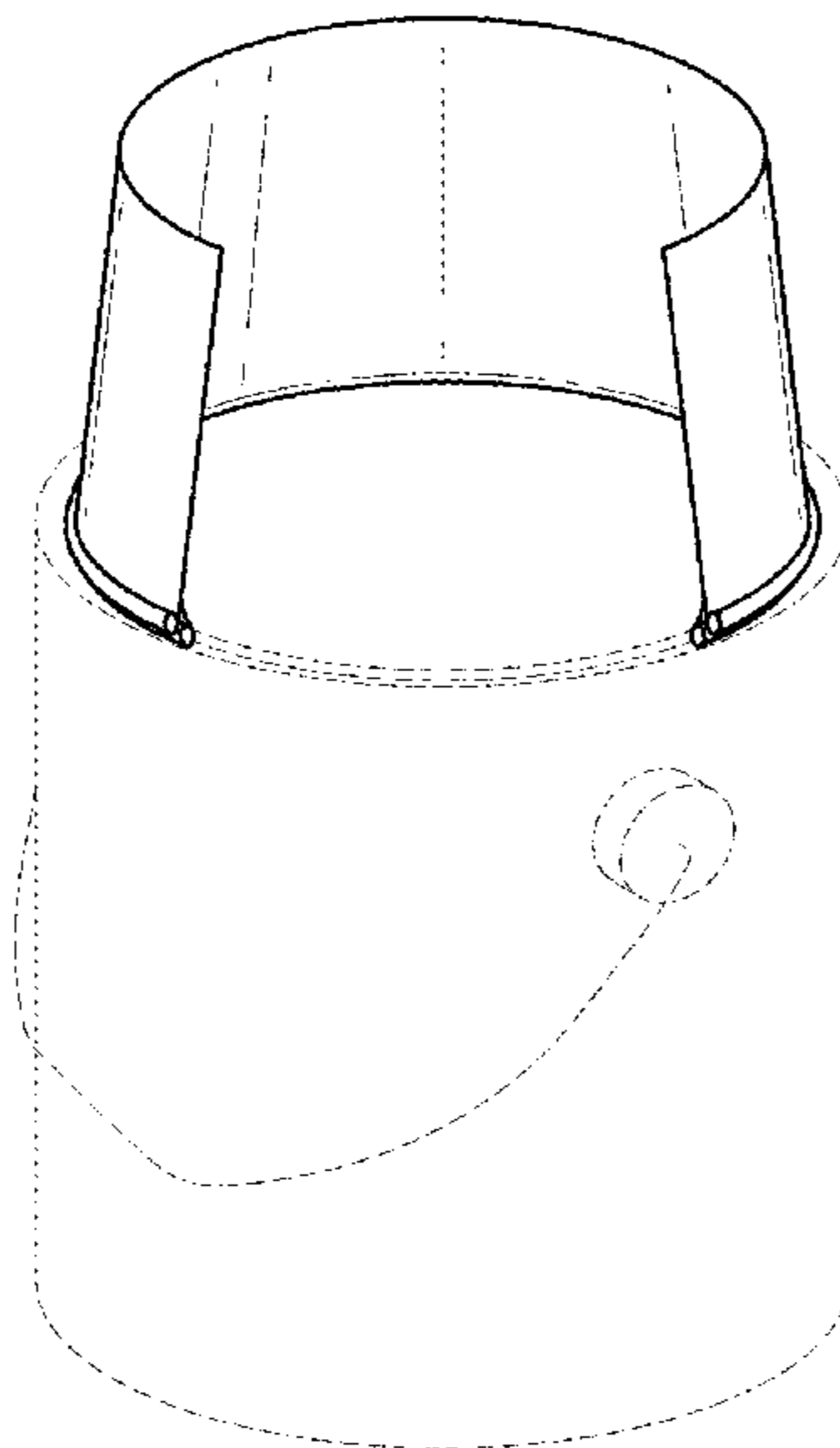
(57) **CLAIM**

The ornamental design for a spout, as shown and described.

DESCRIPTION

FIG. 1 is an isometric environmental view of the spout, showing my new design;
 FIG. 2 is a front plan view of the spout;
 FIG. 3 is a right side plan view thereof;
 FIG. 4 is a rear plan view thereof;
 FIG. 5 is a top plan view thereof;
 FIG. 6 is a bottom plan view thereof; and
 FIG. 7 is a cross-sectional plan view thereof.
 The broken line showing of the spout illustrates the environment of the claimed design and forms no part thereof.

1 Claim, 4 Drawing Sheets



(56)

References Cited

U.S. PATENT DOCUMENTS

2010/0018984 A1* 1/2010 Solomon B65D 23/0842
220/739
2010/0230413 A1* 9/2010 Crudgington, Jr. B44D 3/128
220/495.02
2011/0114647 A1* 5/2011 Hallberg A47G 19/2227
220/592.17

* cited by examiner

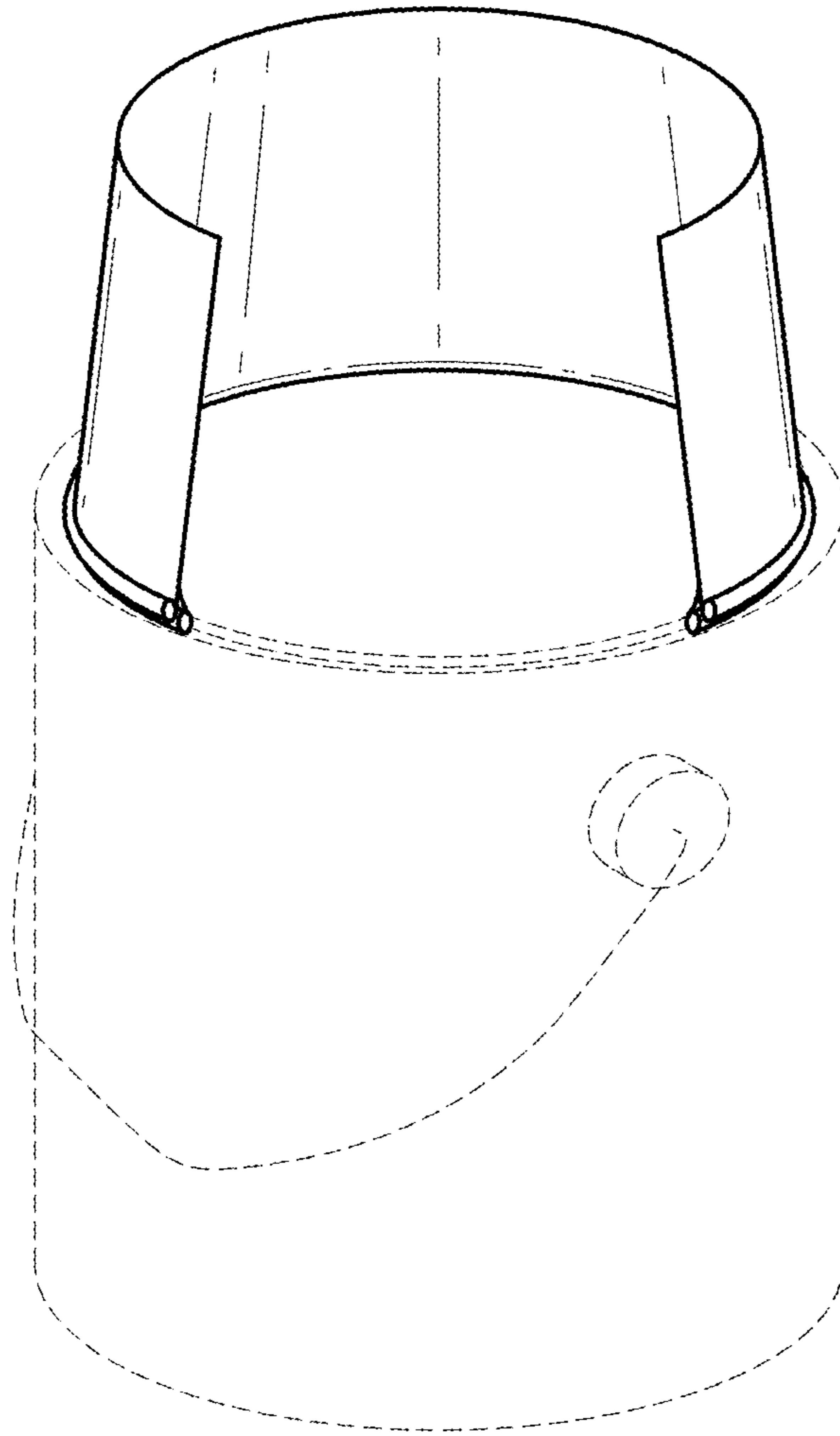


FIG. 1

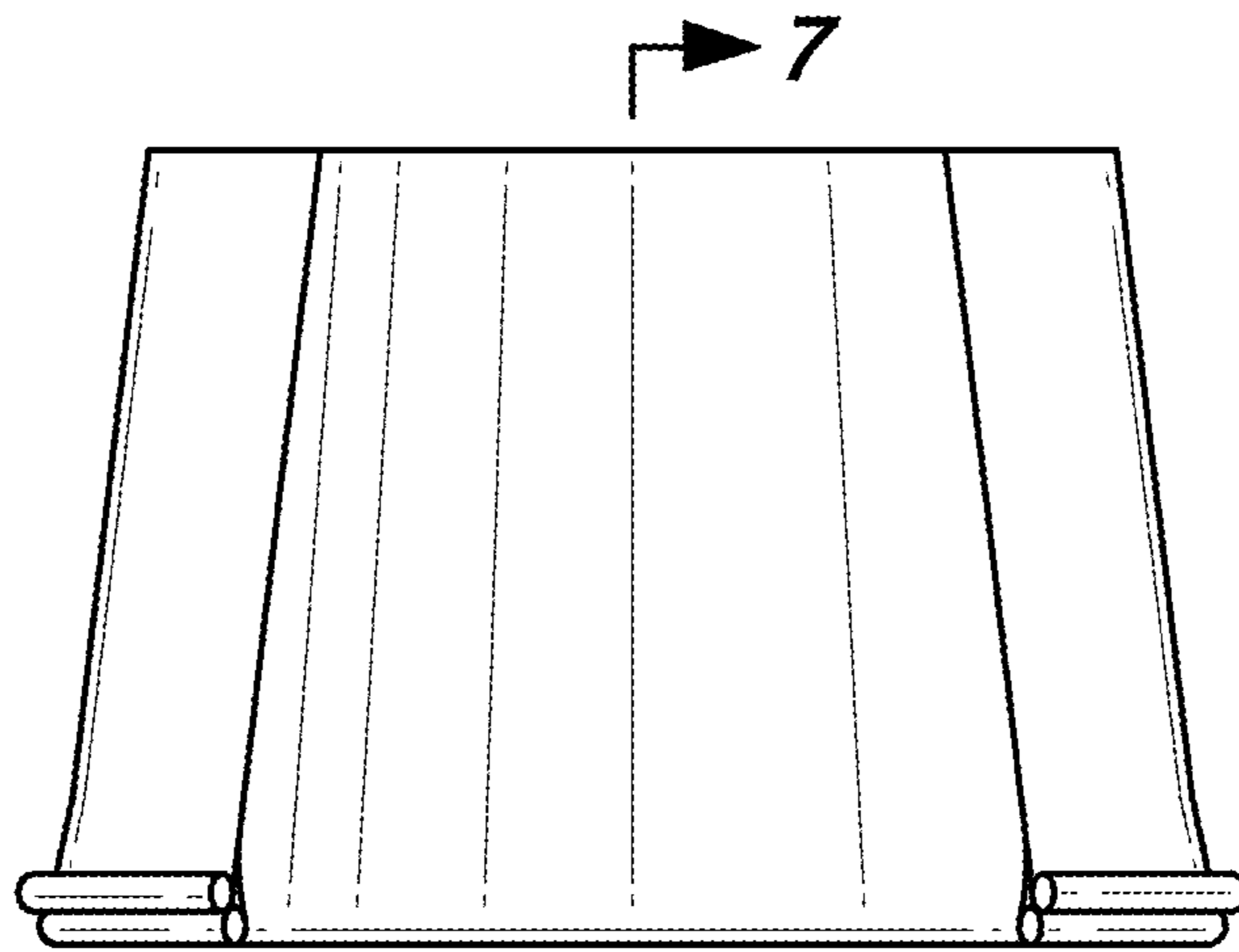


FIG. 2

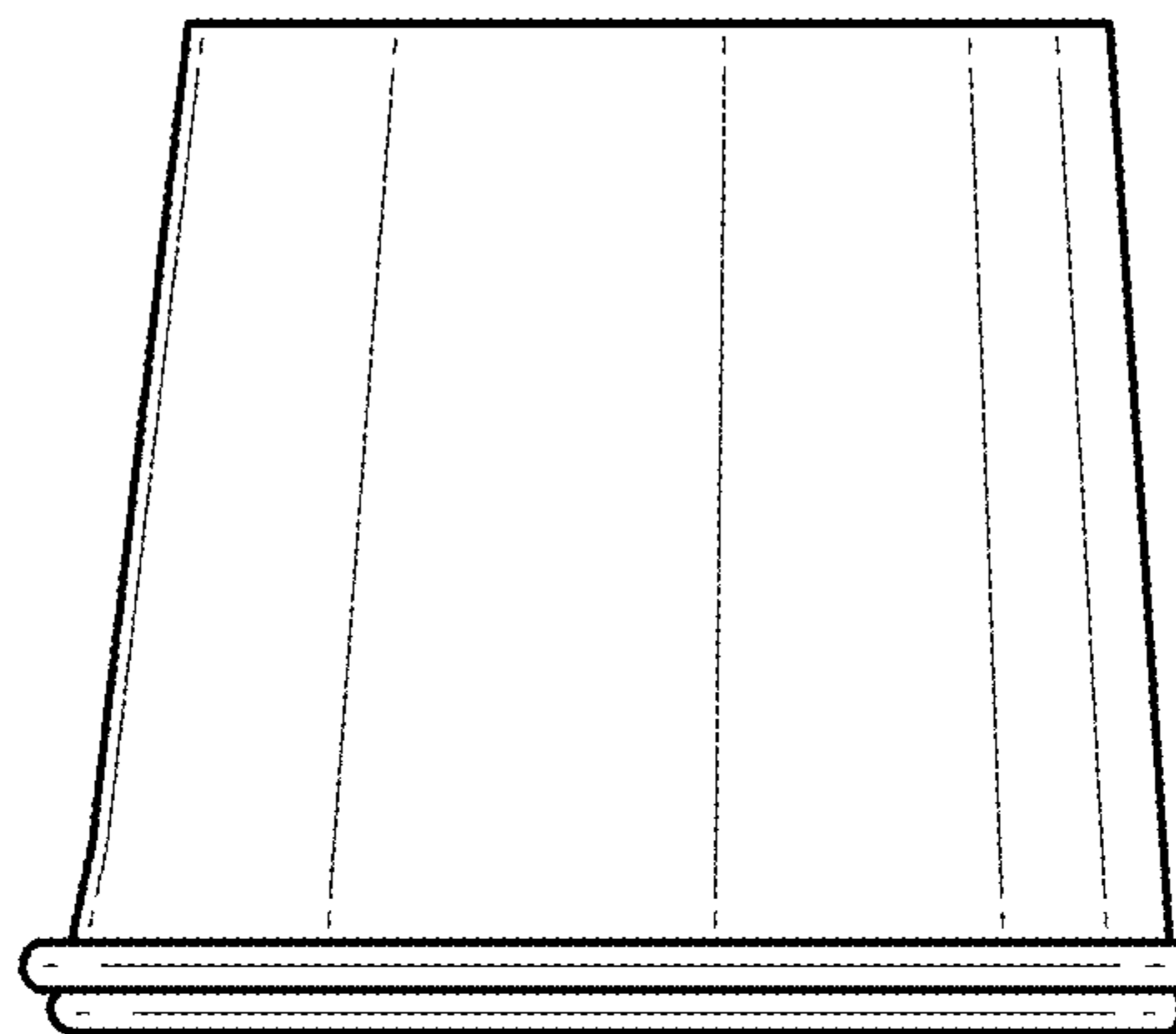


FIG. 3

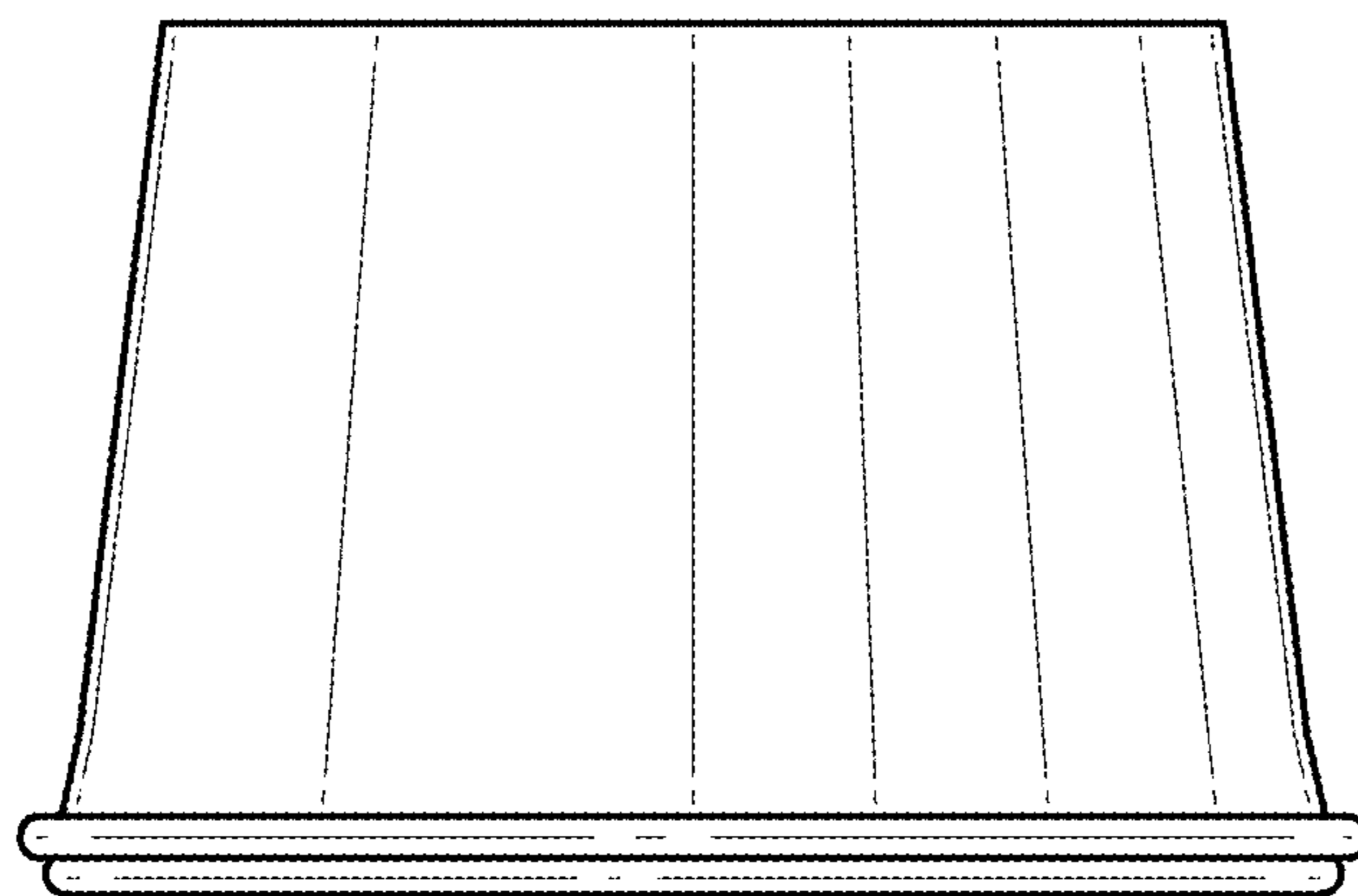


FIG. 4

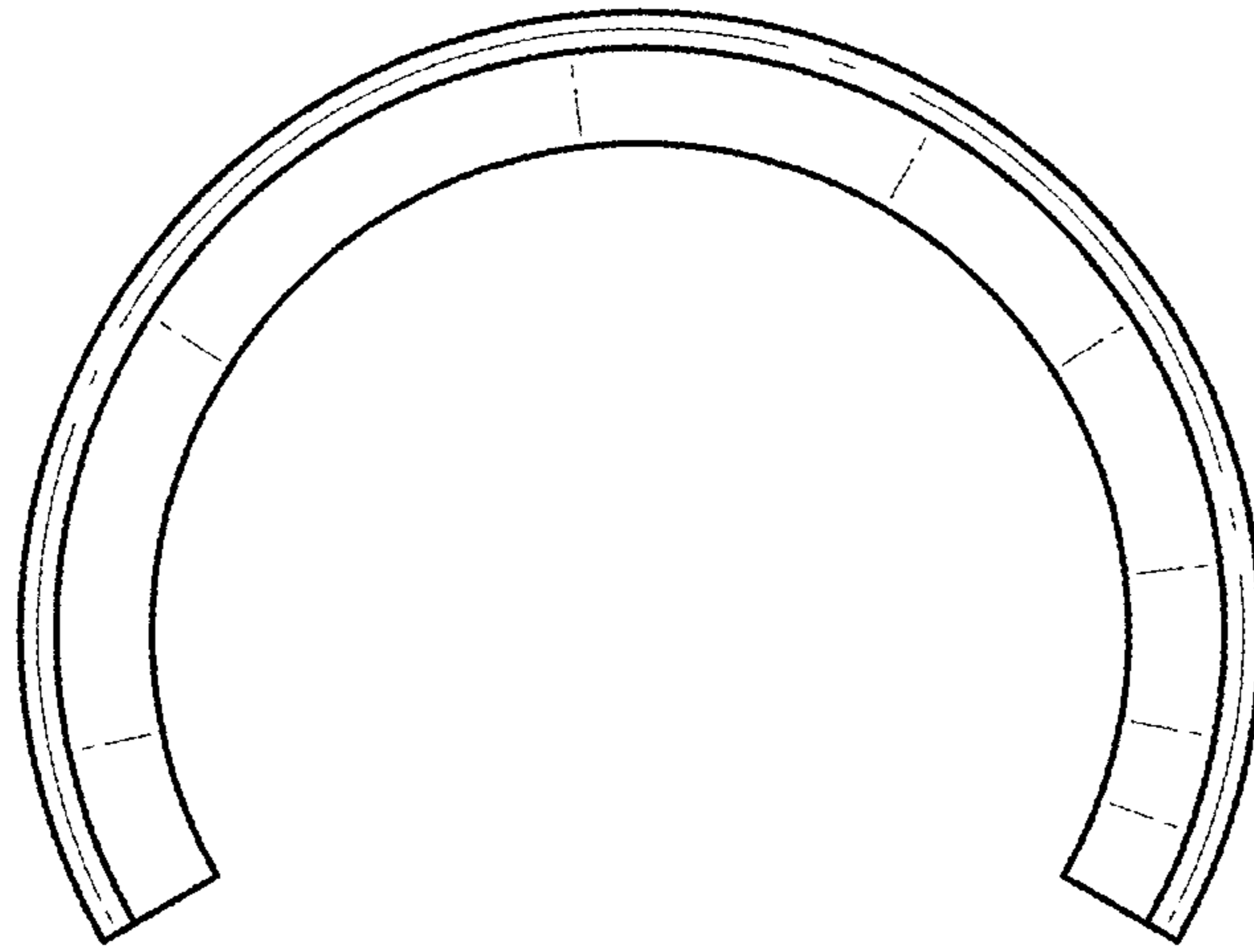


FIG. 5

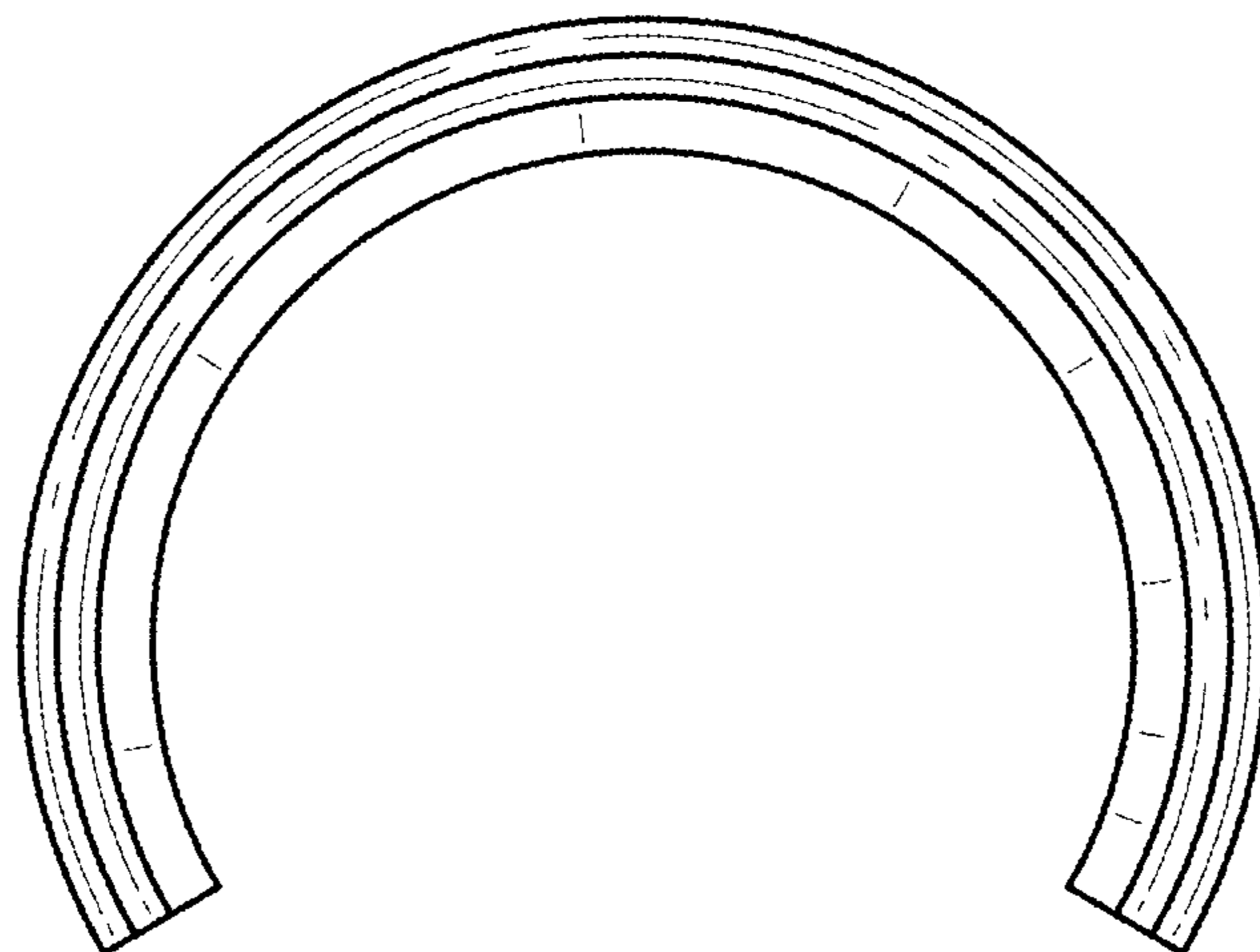


FIG. 6

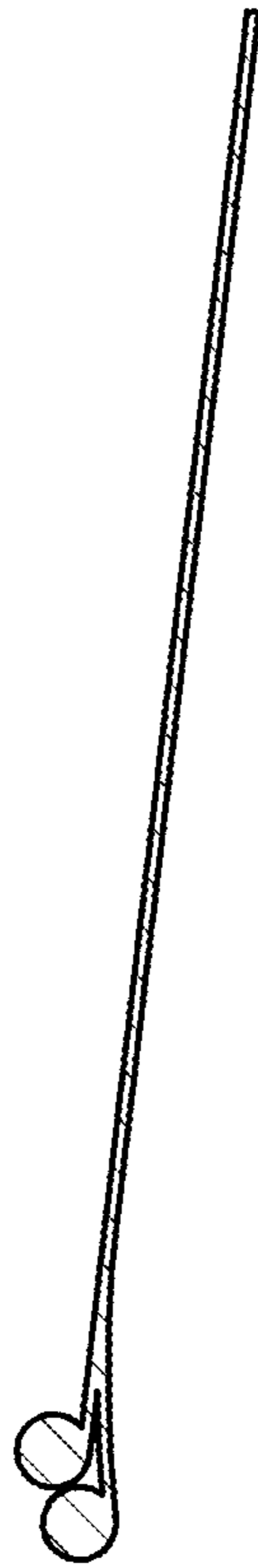


FIG. 7