



US00D792754S

(12) **United States Design Patent**
Hatton

(10) **Patent No.:** **US D792,754 S**
(45) **Date of Patent:** **** Jul. 25, 2017**

(54) **LATCH**

FOREIGN PATENT DOCUMENTS

(71) Applicant: **PENN ELCOM LIMITED**, St. Leonards on Sea, East Sussex (GB)

EP 1840307 10/2007
EP 1975354 10/2008

(Continued)

(72) Inventor: **James Hatton**, St. Leonards on Sea (GB)

OTHER PUBLICATIONS

(73) Assignee: **PENN ELCOM LIMITED**, East Sussex (GB)

Extended European Search Report dated Oct. 6, 2011 for EP Application No. 11161387.3.

(Continued)

(**) Term: **15 Years**

(21) Appl. No.: **29/577,244**

Primary Examiner — Prabhakar Deshmukh

(74) *Attorney, Agent, or Firm* — Fleit Gibbons Gutman Bongini & Bianco PL; Paul D. Bianco; Lourdes Perez

(22) Filed: **Sep. 12, 2016**

(57) **CLAIM**

The ornamental design for a latch, as shown and described.

Related U.S. Application Data

(62) Division of application No. 29/525,656, filed on Apr. 30, 2015, now Pat. No. Des. 768,464.

DESCRIPTION

(30) **Foreign Application Priority Data**

Oct. 31, 2014 (EM) 002569467-0001
Oct. 31, 2014 (EM) 002569467-0002

(Continued)

(51) **LOC (10) Cl.** **08-07**

(52) **U.S. Cl.**
USPC **D8/331**

(58) **Field of Classification Search**
USPC D8/330, 331, 335, 339, 302, 343;
70/141, 208; 292/336.3, 169, 358, 359,
(Continued)

FIG. 1 is a perspective view of a latch showing mu new design;
FIG. 2 is an another perspective view thereof;
FIG. 3 is a top plan view thereof;
FIG. 4 is a front elevational view thereof;
FIG. 5 is a rear elevational view thereof;
FIG. 6 is a left side elevational view thereof;
FIG. 7 is a right side elevational view thereof;
FIG. 8 is a perspective view of a second embodiment of a latch;
FIG. 9 is an another perspective view of FIG. 8;
FIG. 10 is a top plan view of FIG. 8;
FIG. 11 is a front elevational view of FIG. 8;
FIG. 12 is a rear elevational view of FIG. 8;
FIG. 13 is a left side elevational view of FIG. 8; and,
FIG. 14 is a right side elevational view of FIG. 8.
The broken lines indicate unclaimed portions and form no part of the claimed design. The bottom of both embodiments is disclaimed.

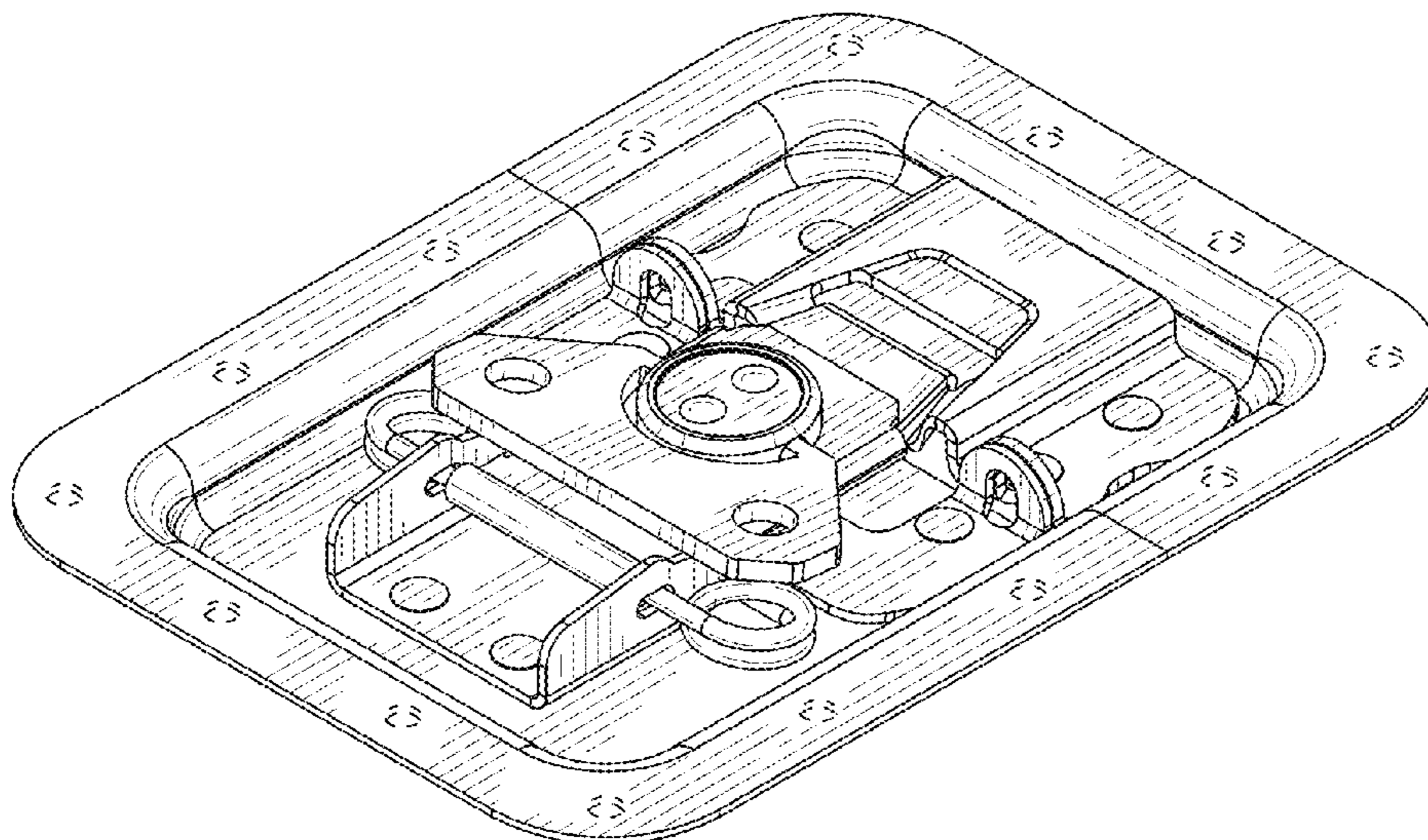
(56) **References Cited**

U.S. PATENT DOCUMENTS

2,600,483 A 6/1952 Angelo
2,642,300 A 6/1953 Pelcin

(Continued)

1 Claim, 6 Drawing Sheets



(30) Foreign Application Priority Data

Oct. 31, 2014 (EM) 002569467-0003
 Oct. 31, 2014 (EM) 002569467-0004

(58) Field of Classification Search

USPC 292/170, 175, 165, 224, 140-145,
 292/240-242, DIG. 14, DIG. 30, DIG. 31,
 292/DIG. 4
 CPC E05C 1/12; E05C 1/02; E05C 3/12; E05C
 3/08; E05C 19/00; E05B 3/00
 See application file for complete search history.

(56) References Cited

U.S. PATENT DOCUMENTS

2,798,371 A 7/1957 Gehrie
 3,051,520 A * 8/1962 Poe E05C 19/145
 292/223
 3,055,204 A 9/1962 Pelcin
 3,083,426 A 4/1963 Neilson
 3,998,481 A 12/1976 Anthone
 4,522,436 A * 6/1985 Hoen E05C 19/14
 292/113
 4,758,031 A * 7/1988 Wolf E05C 19/105
 292/111
 5,461,892 A 10/1995 Hsieh
 5,511,834 A 4/1996 Willems

D383,664 S 9/1997 Bennett
 5,797,635 A 8/1998 Willems
 D454,478 S 3/2002 Willems
 D457,801 S * 5/2002 Zamberg D8/331
 D457,803 S 5/2002 Weinerman
 D483,646 S 12/2003 Tesky
 D504,813 S 5/2005 Chou
 D576,017 S 9/2008 Hatton
 8,733,803 B2 5/2014 Drumm
 D722,860 S * 2/2015 Linares D8/331
 D729,609 S 5/2015 Le
 9,103,145 B2 8/2015 Hatton
 2007/0252058 A1 11/2007 Drumm
 2008/0238110 A1 10/2008 Hatton
 2012/0299312 A1 11/2012 Hatton
 2013/0026769 A1 1/2013 Drumm

FOREIGN PATENT DOCUMENTS

EP 2508701 10/2012
 GB 776059 6/1957
 WO 2009047780 4/2009

OTHER PUBLICATIONS

Extended European Search Report dated Jul. 31, 2014 for EP
 Application No. 14155507.8.

* cited by examiner

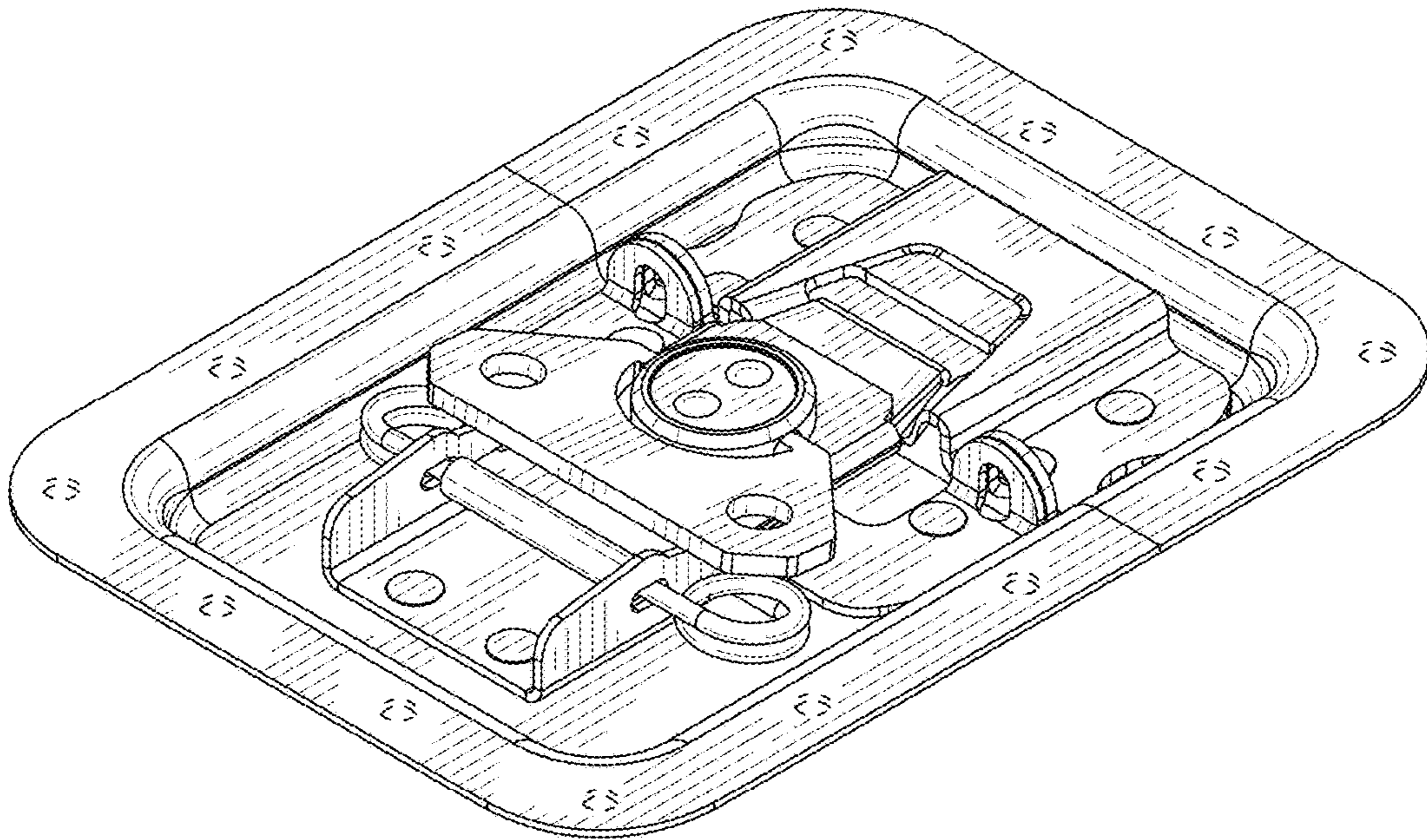


FIG. 1

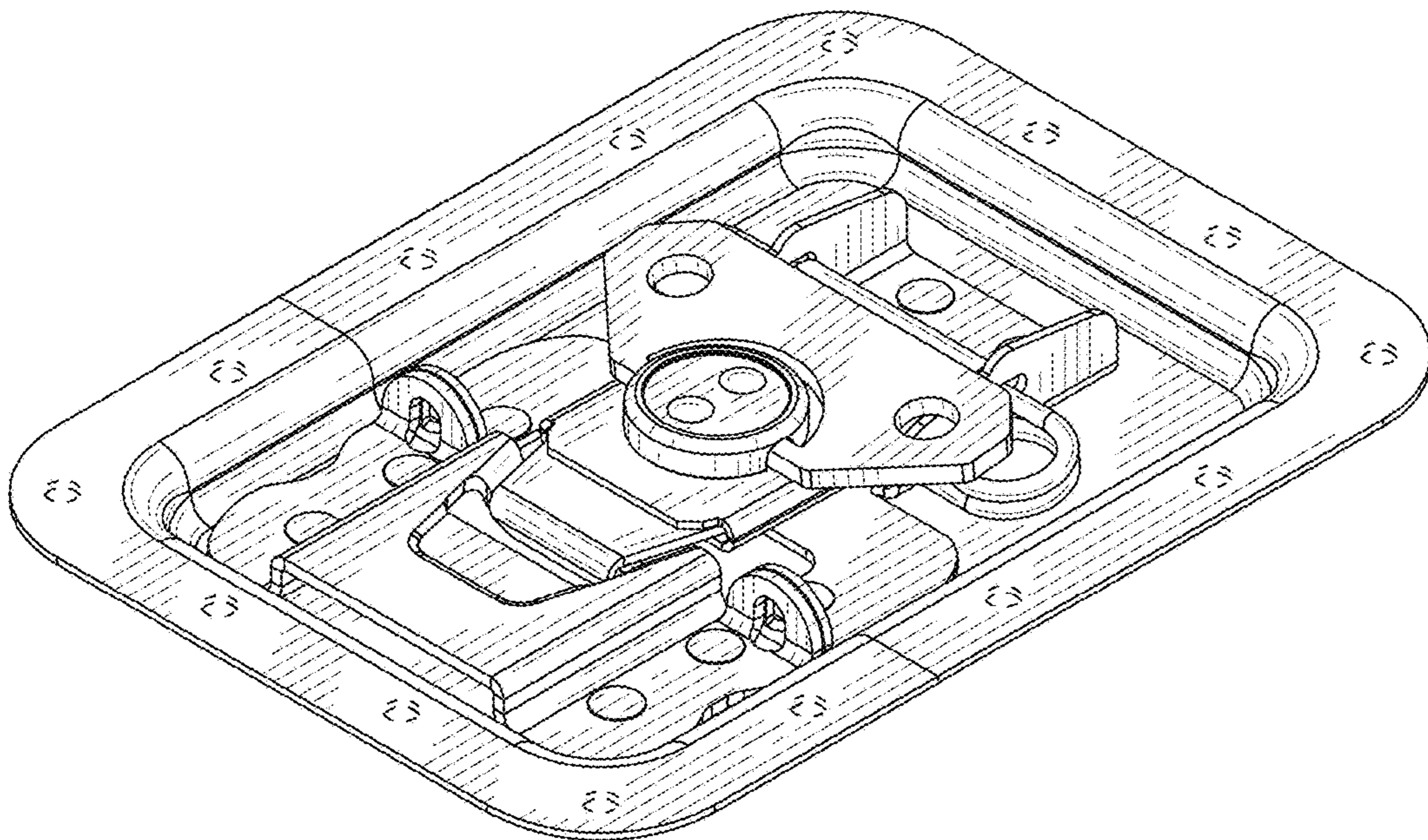


FIG. 2

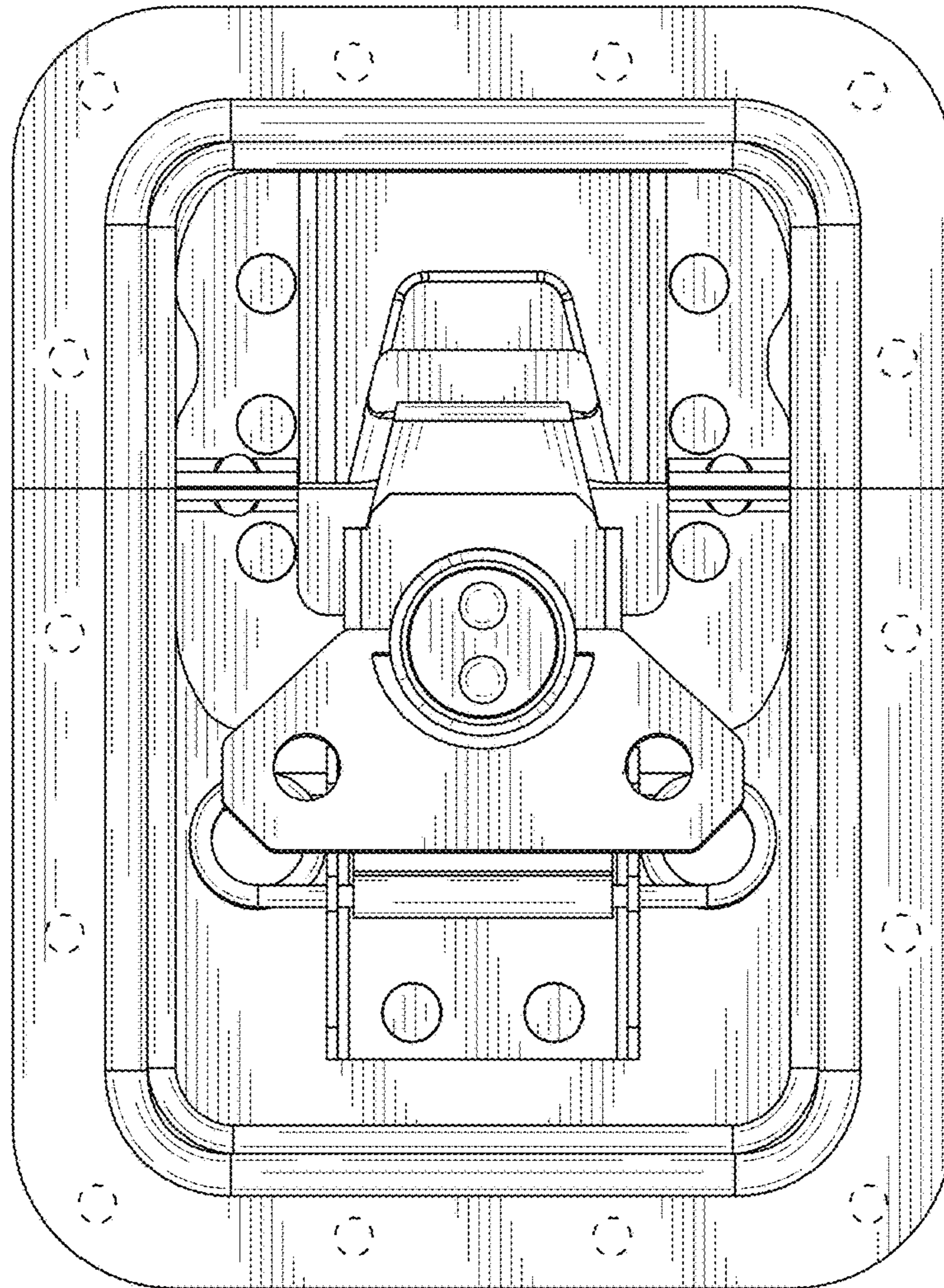


FIG. 3

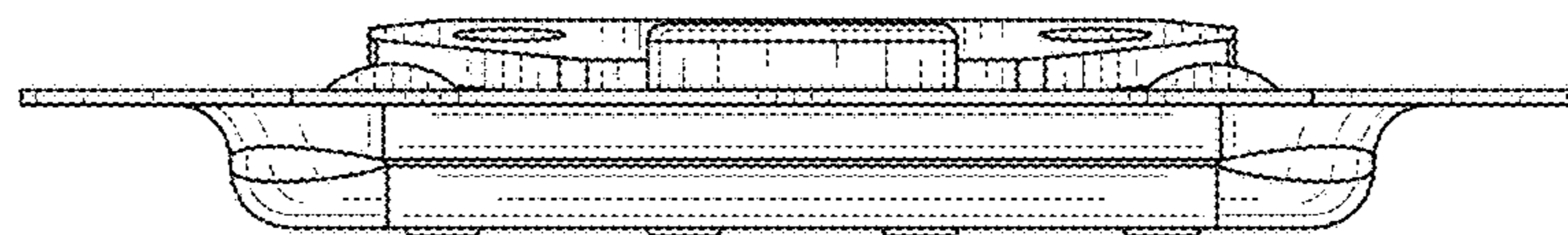


FIG. 4

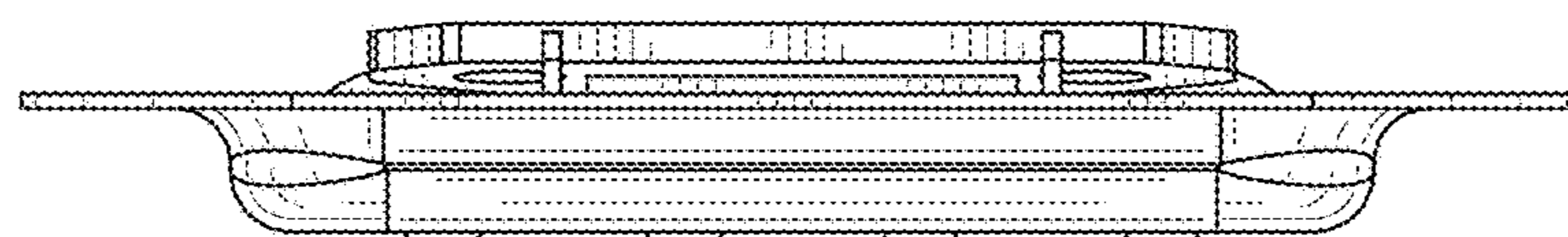


FIG. 5

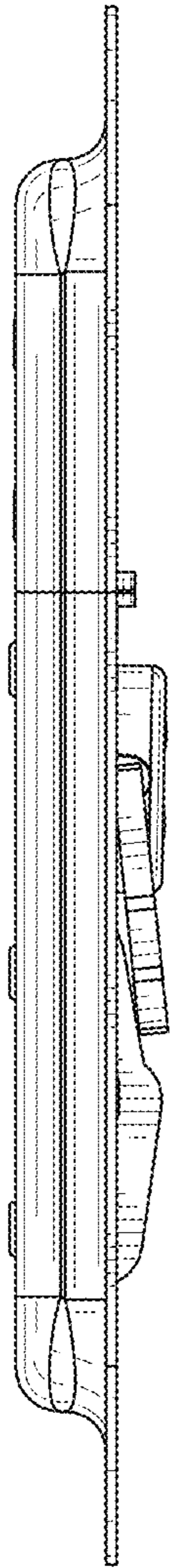


FIG. 6

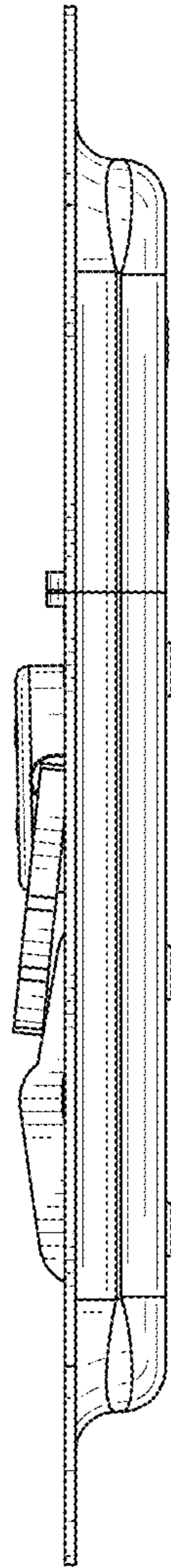


FIG. 7

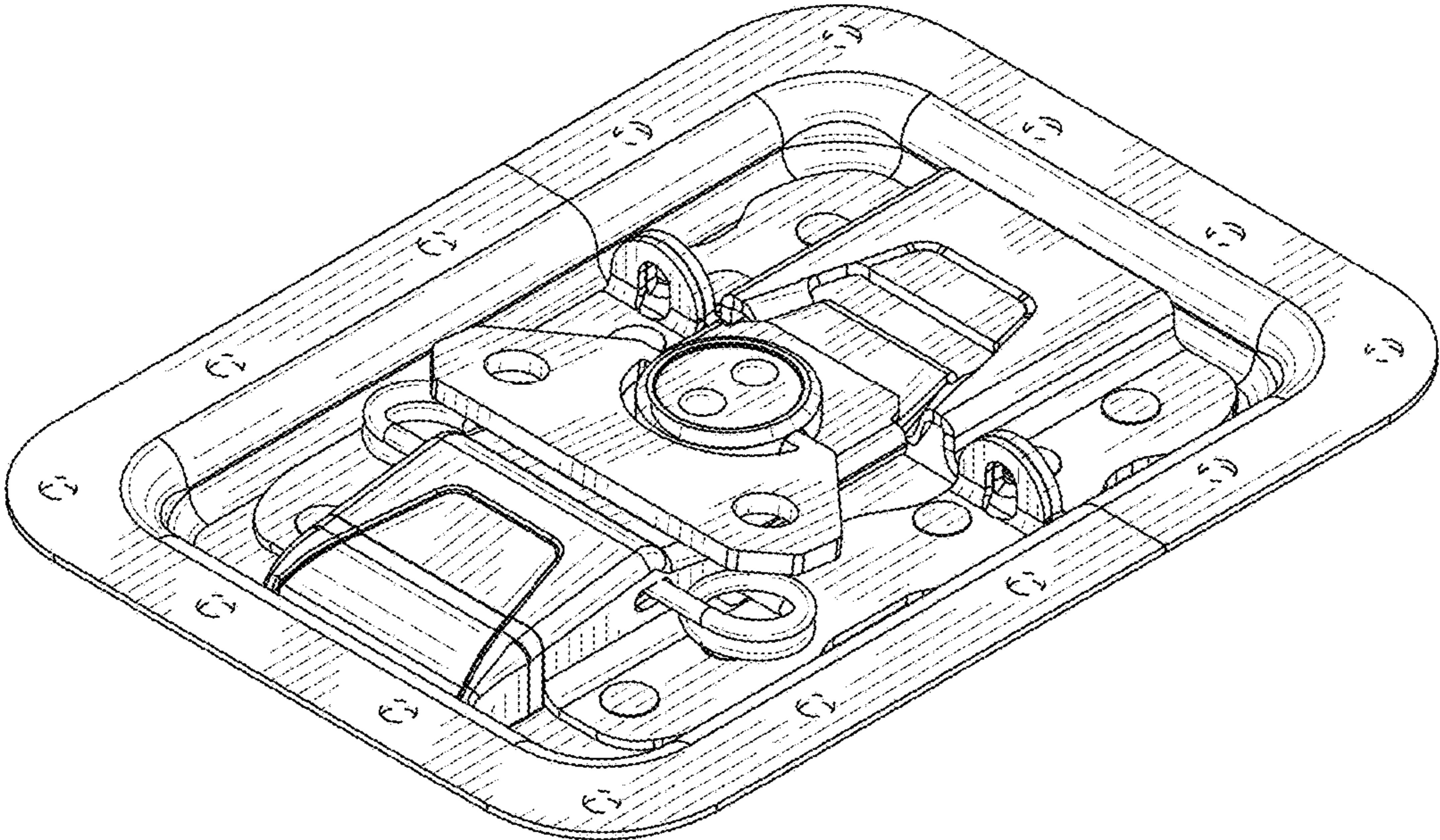


FIG. 8

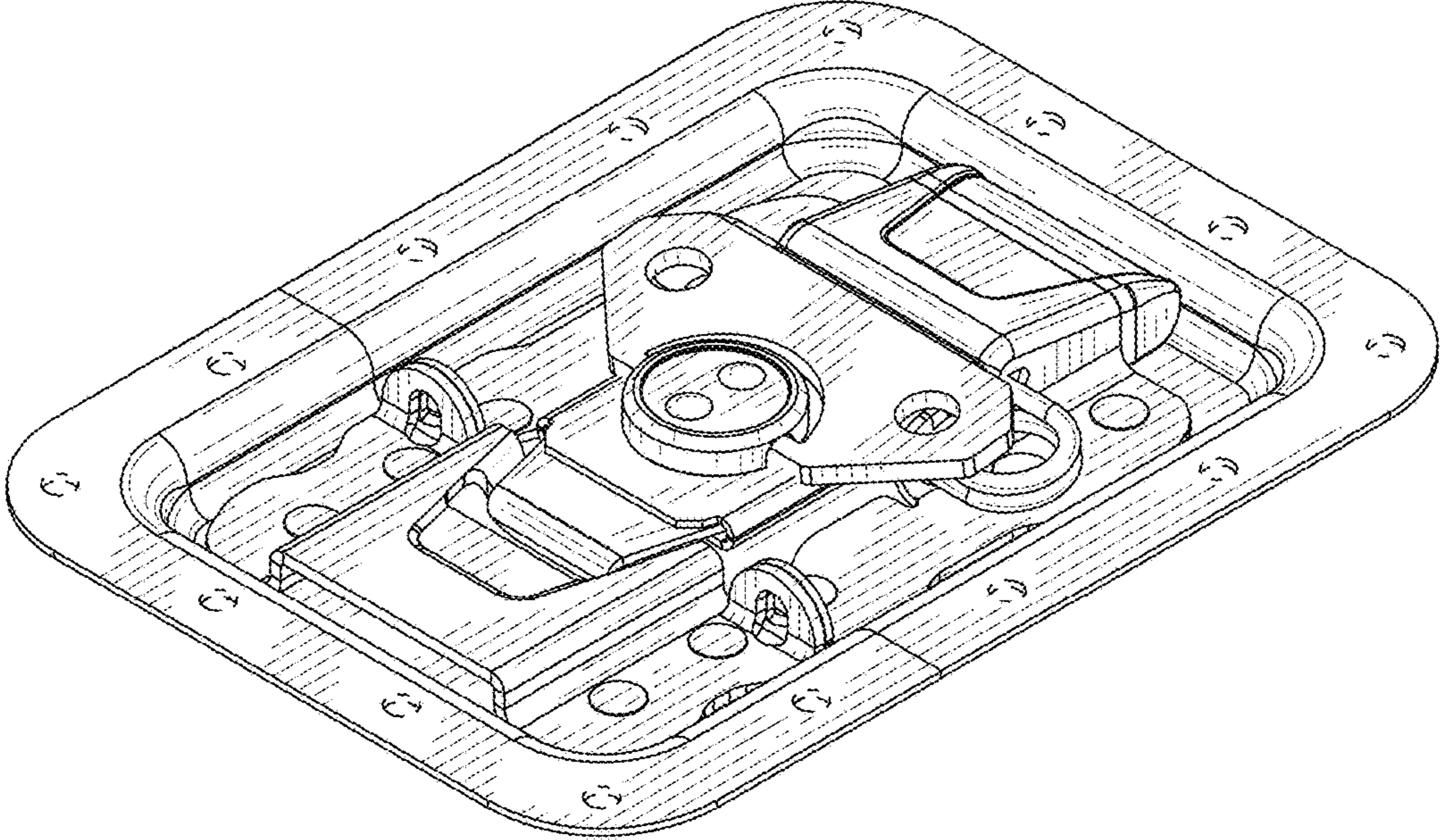


FIG. 9

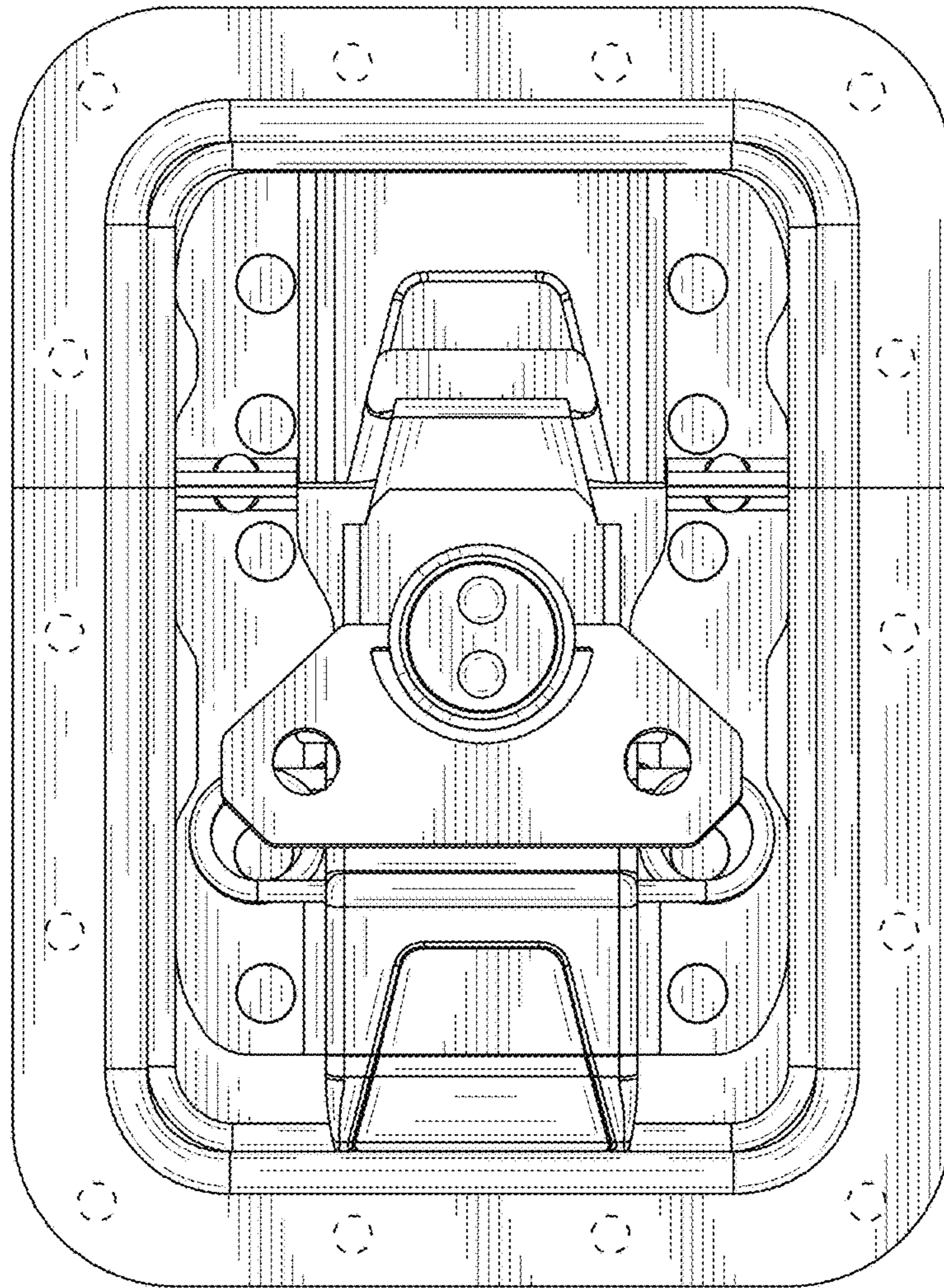


FIG. 10

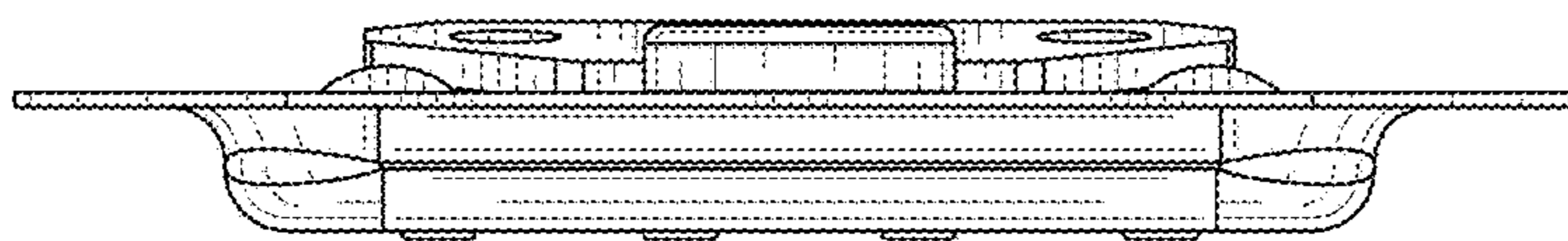


FIG. 11

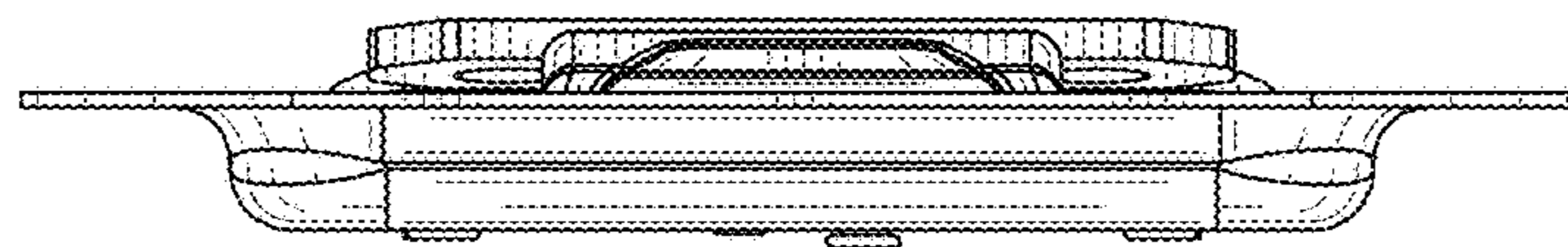


FIG. 12

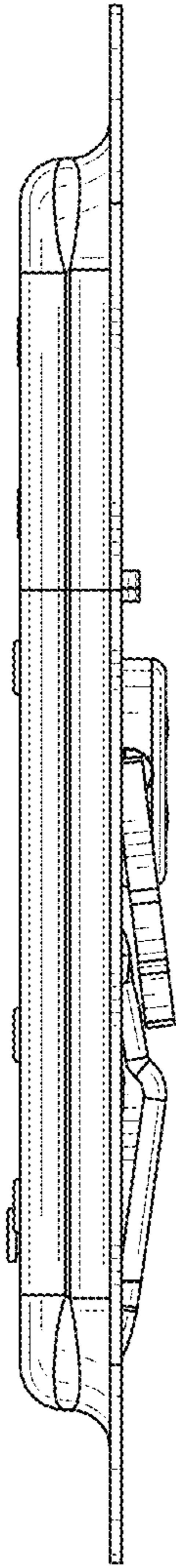


FIG. 13

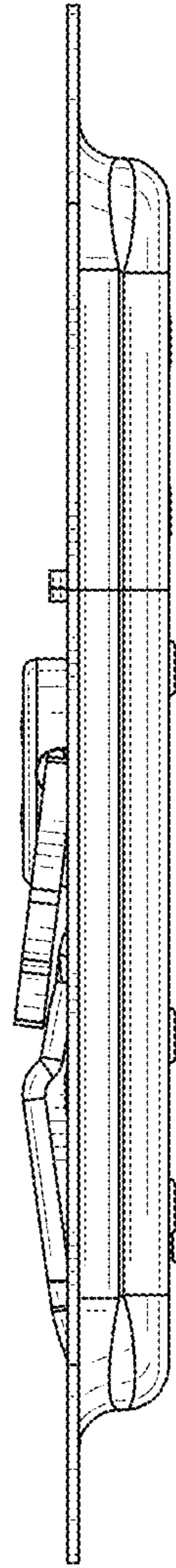


FIG. 14