



US00D792753S

(12) **United States Design Patent**
Brothers

(10) **Patent No.:** **US D792,753 S**

(45) **Date of Patent:** **** Jul. 25, 2017**

(54) **HINGE**
(71) Applicant: **Peter Brothers**, San Leandro, CA (US)
(72) Inventor: **Peter Brothers**, San Leandro, CA (US)
(**) Term: **15 Years**

8,407,859 B1 * 4/2013 Mitchell E05D 5/04
16/303
D718,608 S * 12/2014 Russo D8/323
D719,009 S * 12/2014 Russo D8/323
D719,010 S * 12/2014 Russo D8/323
D719,011 S * 12/2014 Russo D8/323
D725,989 S * 4/2015 Gompper D8/323
D747,949 S * 1/2016 Lindo D8/323

(21) Appl. No.: **29/568,156**
(22) Filed: **Jun. 15, 2016**
(51) **LOC (10) Cl.** **08-06**
(52) **U.S. Cl.**
USPC **D8/323**

* cited by examiner

Primary Examiner — John Windmuller
Assistant Examiner — Benjamin Weeks
(74) *Attorney, Agent, or Firm* — Theodore J. Bielen, Jr.

(58) **Field of Classification Search**
USPC D8/323–329, 354, 356; D23/303
CPC E05D 1/00; E05D 3/00; E05D 5/00; E05D
7/00; B29C 31/00; E05Y 2201/00; F16C
1/00; F16C 3/00; F16C 9/00
See application file for complete search history.

(57) **CLAIM**

The ornamental design for a hinge, as shown and described.

DESCRIPTION

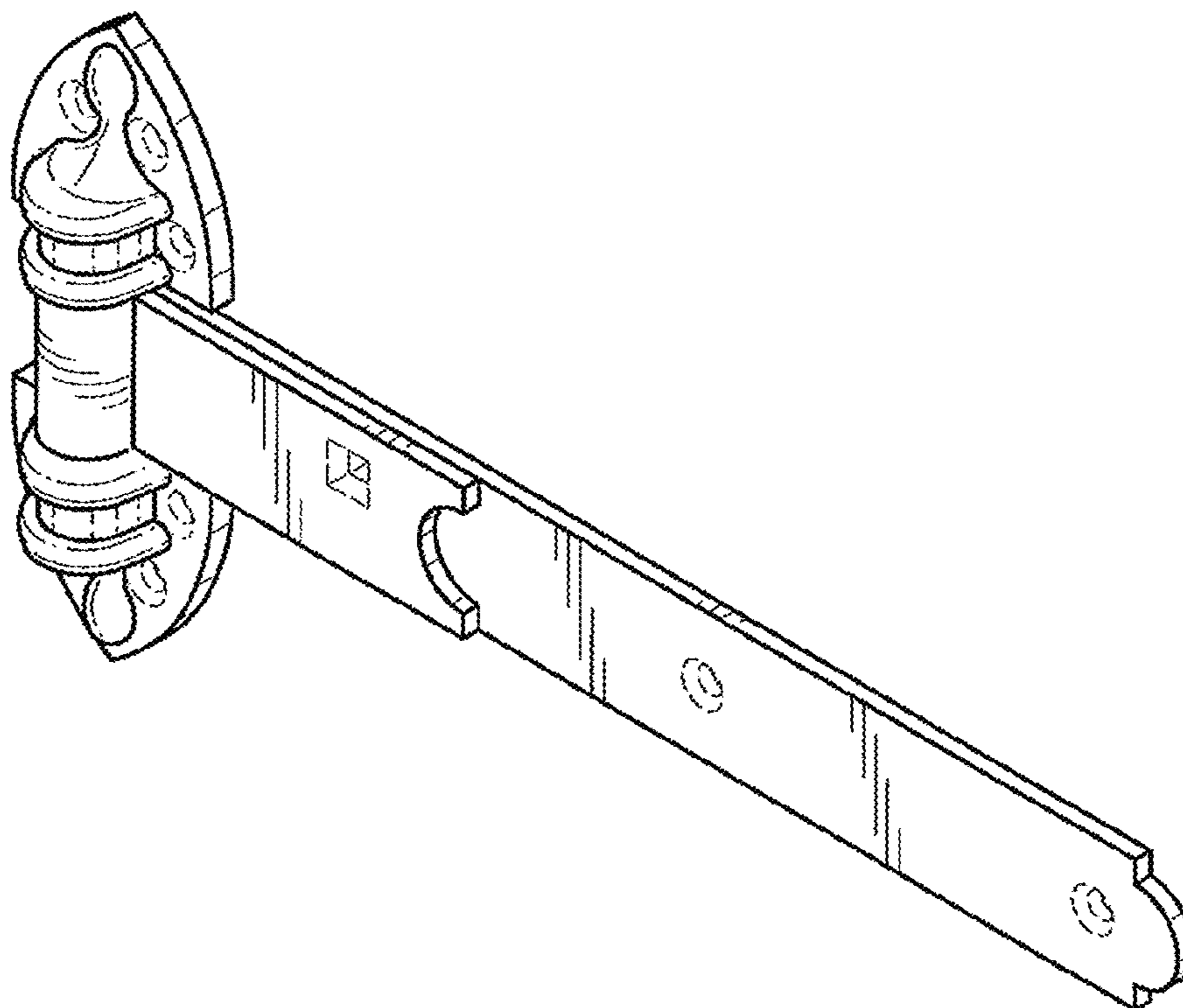
FIG. 1 is a top right side, perspective view of a hinge showing my new design;
FIG. 2 is a front elevational view;
FIG. 3 is a rear elevational view;
FIG. 4 is a top plan view;
FIG. 5 is a right side view; and,
FIG. 6 is a left side view, thereof.
The dashed broken lines represent portions of the hinge that form no part of the claimed design.

(56) **References Cited**

U.S. PATENT DOCUMENTS

3,748,688 A * 7/1973 Berkowitz E05F 1/063
16/247
4,030,161 A * 6/1977 Loikitz E05F 1/063
16/284
D299,420 S * 1/1989 Takahashi D8/329
D401,134 S * 11/1998 Finkelstein D8/329
D645,725 S * 9/2011 Katz D8/323

1 Claim, 3 Drawing Sheets



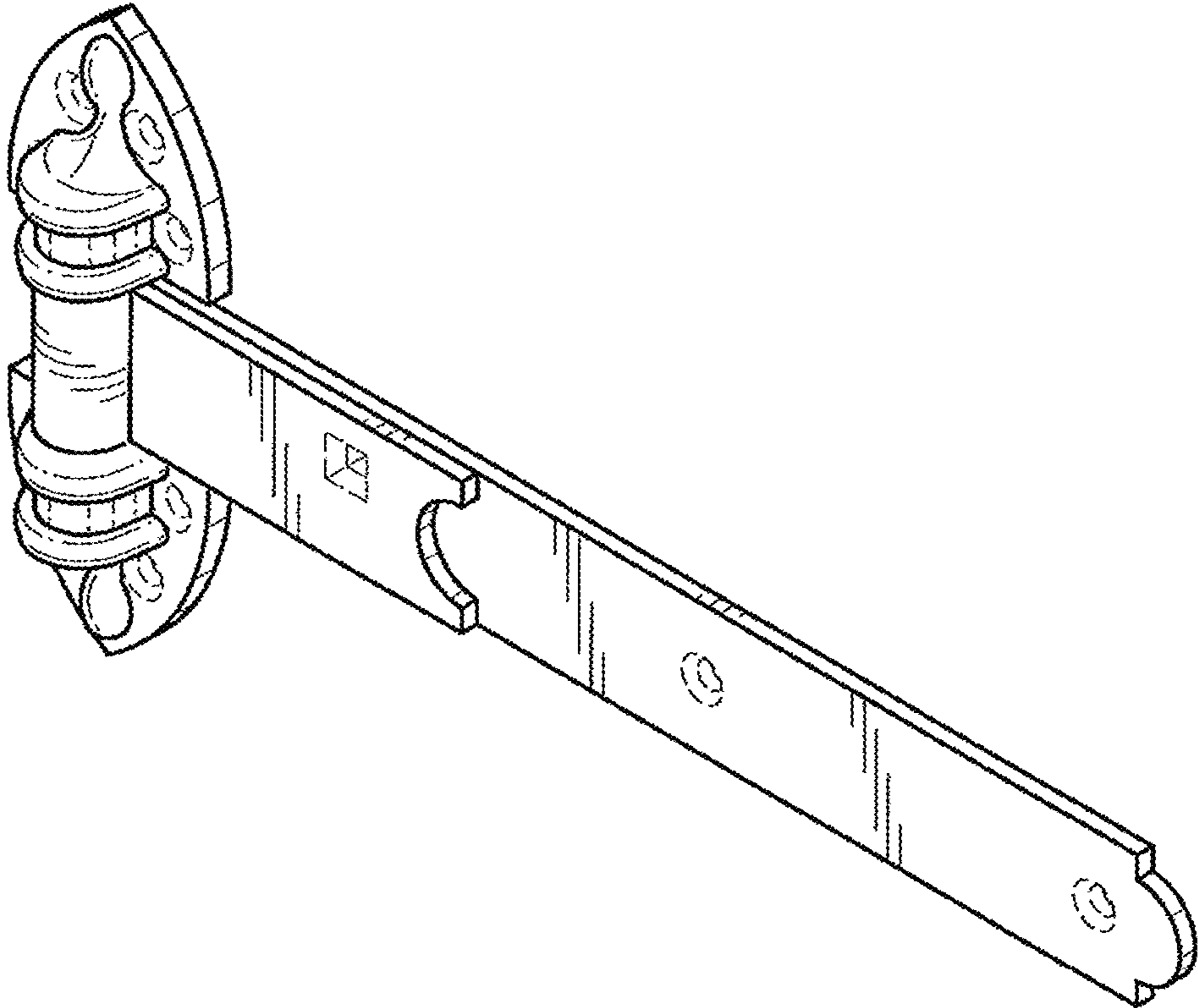


FIG. 1

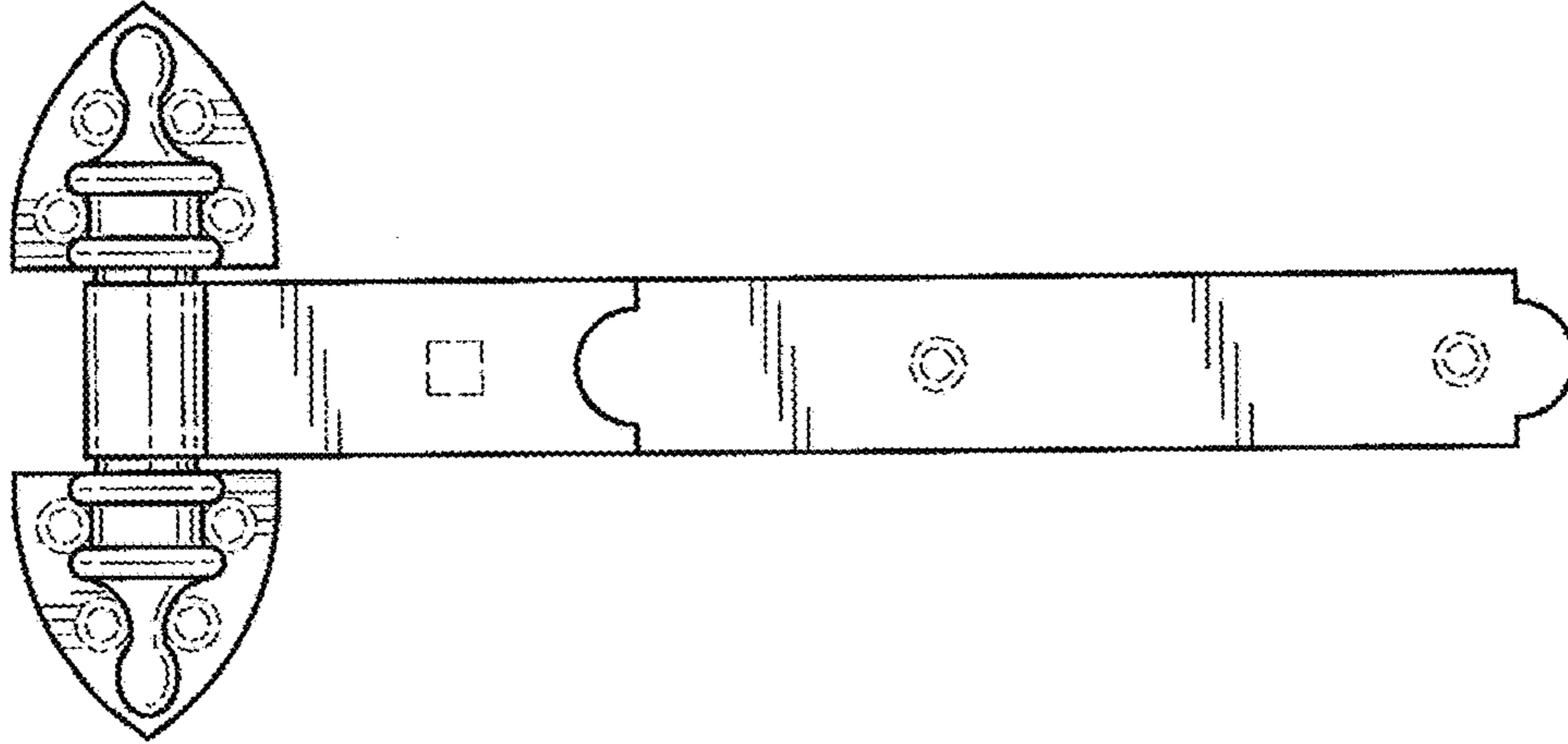


FIG. 2

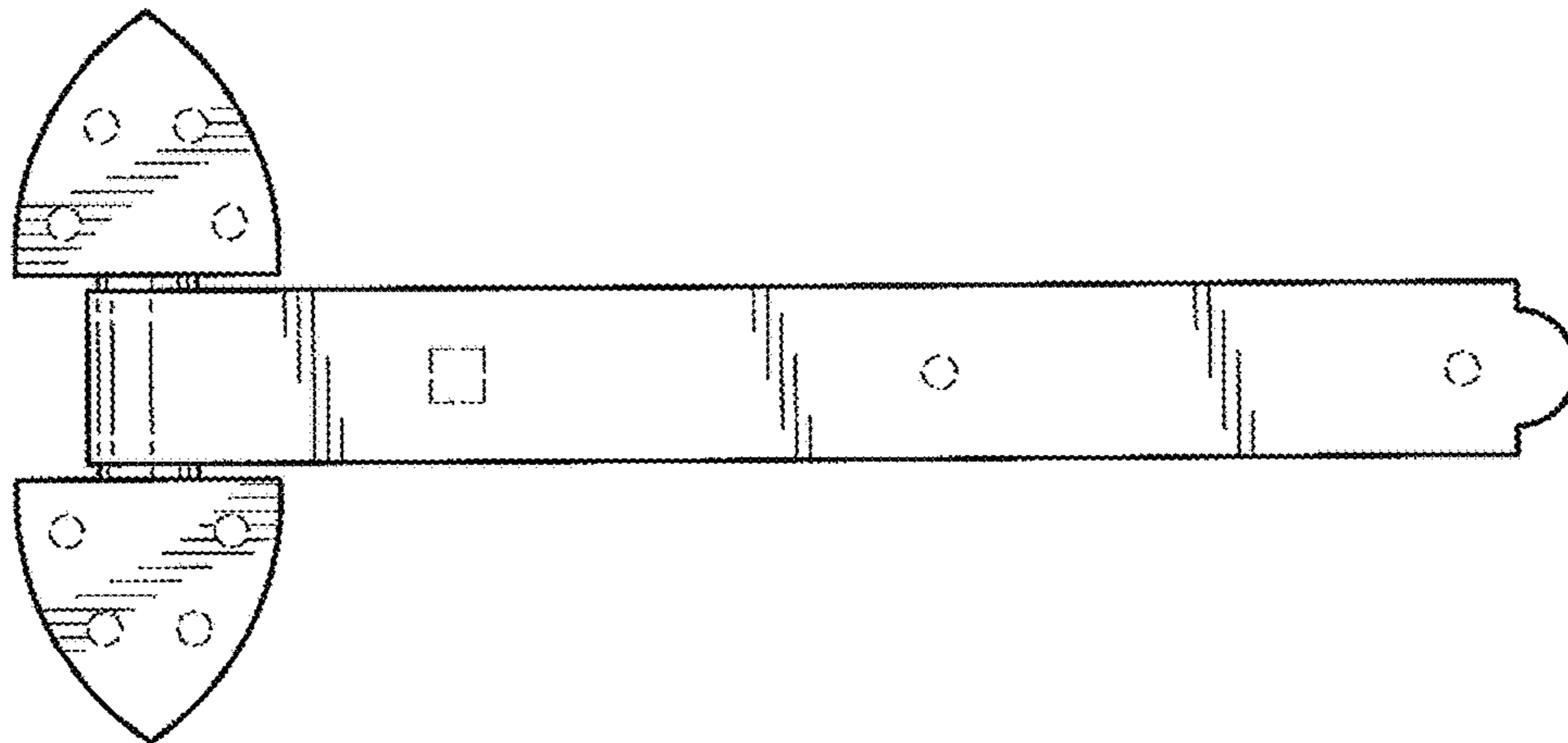


FIG. 3

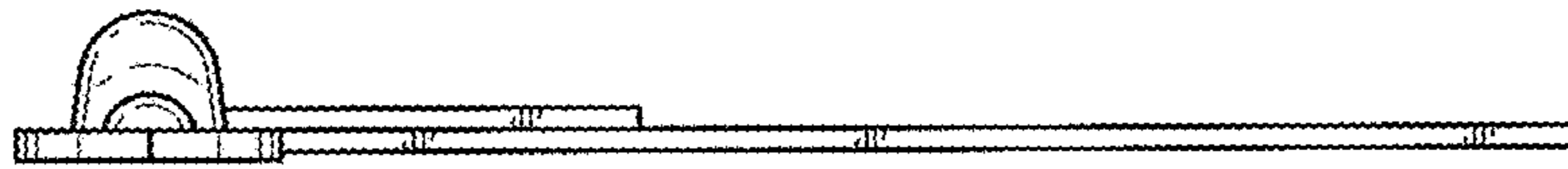


FIG. 4

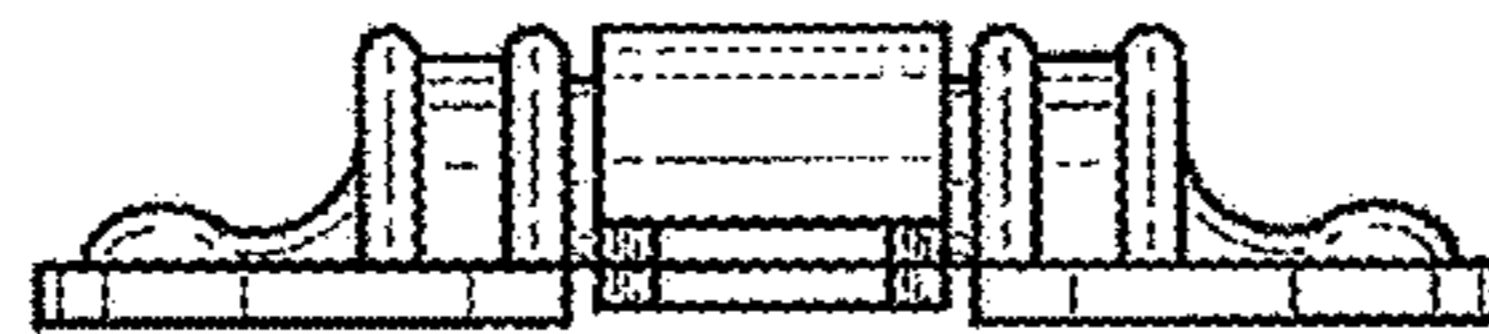


FIG. 5

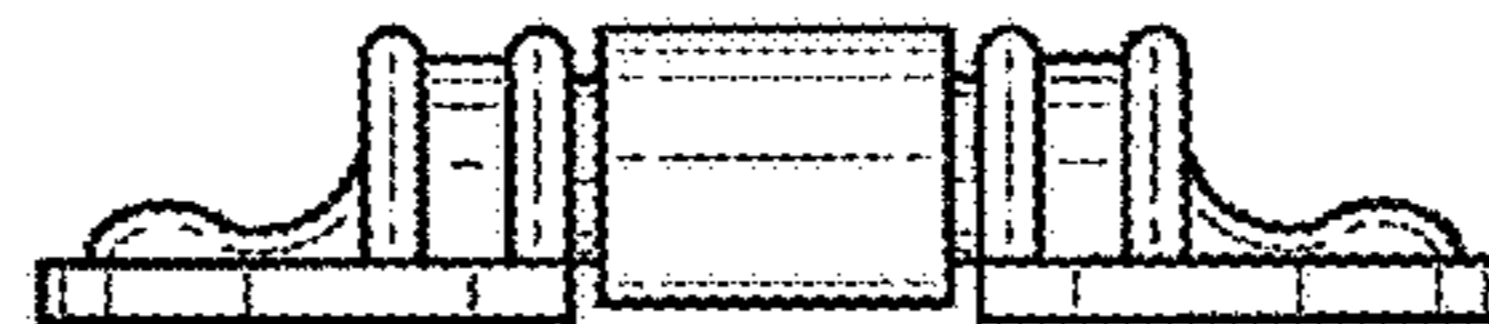


FIG. 6