

US00D792751S

(12) **United States Design Patent**  
**Hilliaho et al.**

(10) **Patent No.:** **US D792,751 S**  
(45) **Date of Patent:** **\*\* Jul. 25, 2017**

(54) **DOOR AND WINDOW HANDLE**  
(71) Applicants: **Esa Hilliaho**, Valkeala (FI); **Lauri Hurri**, Kouvola (FI)  
(72) Inventors: **Esa Hilliaho**, Valkeala (FI); **Lauri Hurri**, Kouvola (FI)  
(73) Assignee: **LUMON INVEST OY**, Kouvola (FI)  
(\*\*) Term: **15 Years**  
(21) Appl. No.: **29/558,087**

(22) Filed: **Mar. 15, 2016**  
(30) **Foreign Application Priority Data**

Sep. 16, 2015 (EM) ..... 002773176-0002  
(51) **LOC (10) Cl.** ..... **08-06**  
(52) **U.S. Cl.**  
USPC ..... **D8/307**  
(58) **Field of Classification Search**  
USPC ..... D8/302, 305, 307, 311, 315, 353, 394,  
D8/397; D25/107, 121, 250  
CPC ..... A47B 95/02; E05B 1/0015; E05B 1/00  
See application file for complete search history.

(56) **References Cited**  
U.S. PATENT DOCUMENTS

D166,862 S \* 5/1952 Mason ..... D8/302  
D242,597 S \* 12/1976 Gamus ..... 292/DIG. 53

D249,224 S \* 9/1978 Spellier ..... D8/313  
D275,867 S \* 10/1984 Lazzara ..... D20/43  
D375,671 S \* 11/1996 Heithe ..... D8/301  
D405,346 S \* 2/1999 Heithe ..... D8/301  
D486,908 S \* 2/2004 Himbert ..... D24/113  
D510,602 S \* 10/2005 Wasilko ..... D20/44  
D511,548 S \* 11/2005 Wamsley ..... D20/43  
D658,049 S \* 4/2012 Boucher-Gagne ..... D8/394  
D659,526 S \* 5/2012 Boucher-Gagne ..... D8/395  
D673,223 S \* 12/2012 White ..... D20/43  
D742,208 S \* 11/2015 Charette ..... D8/373  
D742,969 S \* 11/2015 White ..... D20/43

\* cited by examiner

*Primary Examiner* — Mark Goodwin  
*Assistant Examiner* — Melvin Davis

(74) *Attorney, Agent, or Firm* — Klauber & Jackson LLC

(57) **CLAIM**

The ornamental design for a door and window handle, as shown and described.

**DESCRIPTION**

FIG. 1 is a top, front and left side perspective view of a door and window handle of our new design;  
FIG. 2 is a top, rear and left side perspective view thereof;  
FIG. 3 is a rear view thereof;  
FIG. 4 is a front view thereof;  
FIG. 5 is a left side view thereof;  
FIG. 6 is a right side view thereof; and,  
FIG. 7 is a bottom view thereof.

**1 Claim, 7 Drawing Sheets**

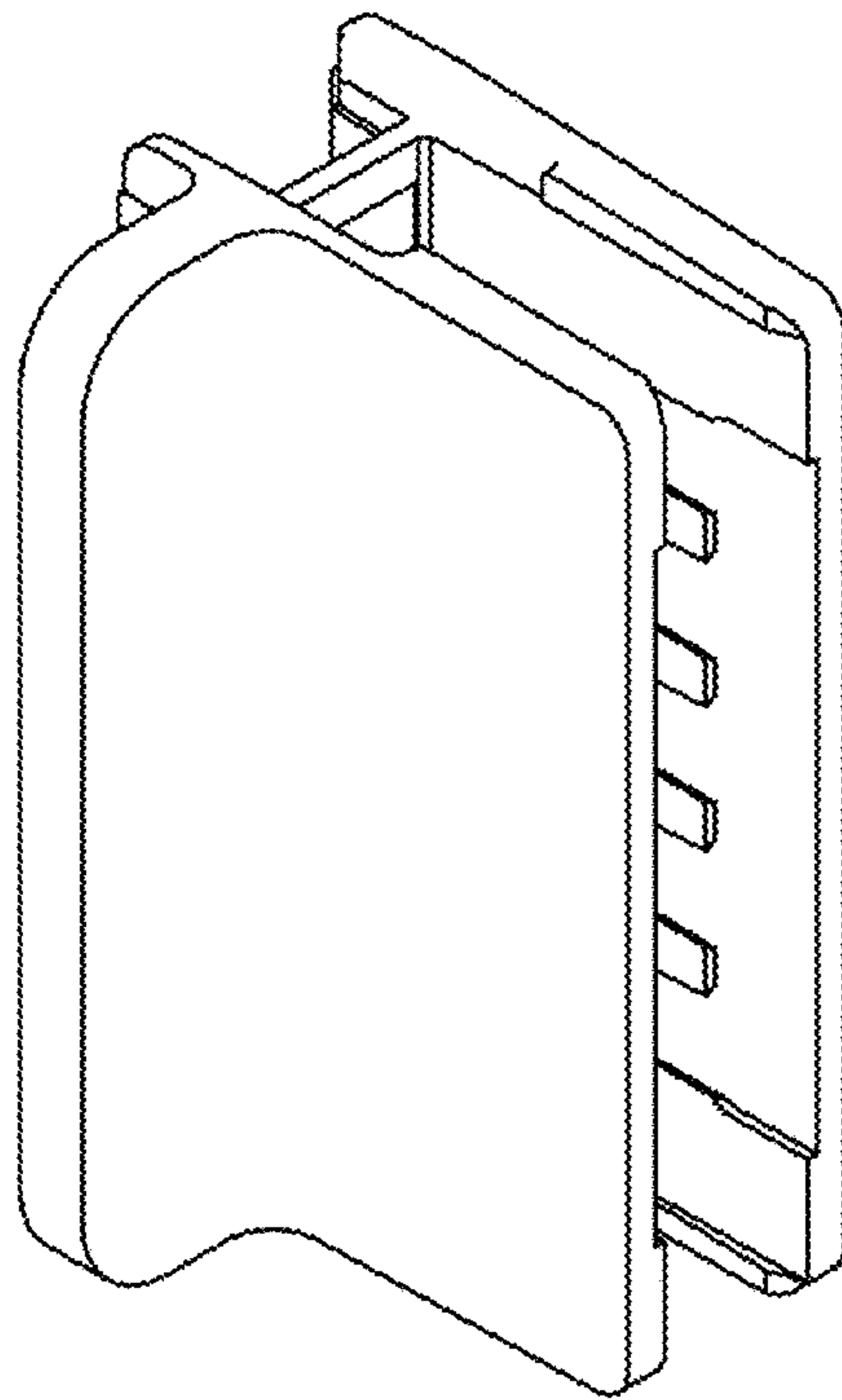
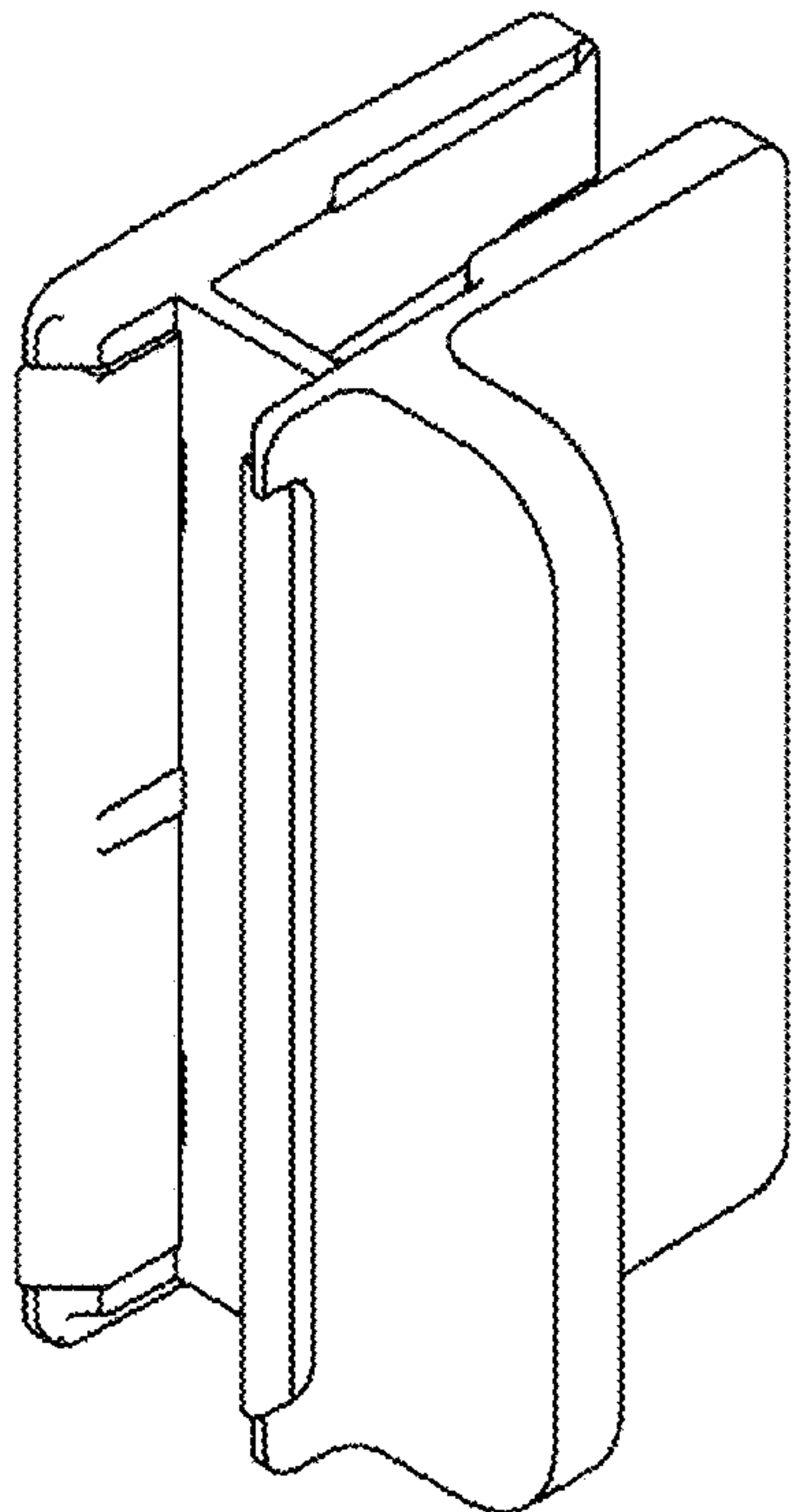


FIG. 1

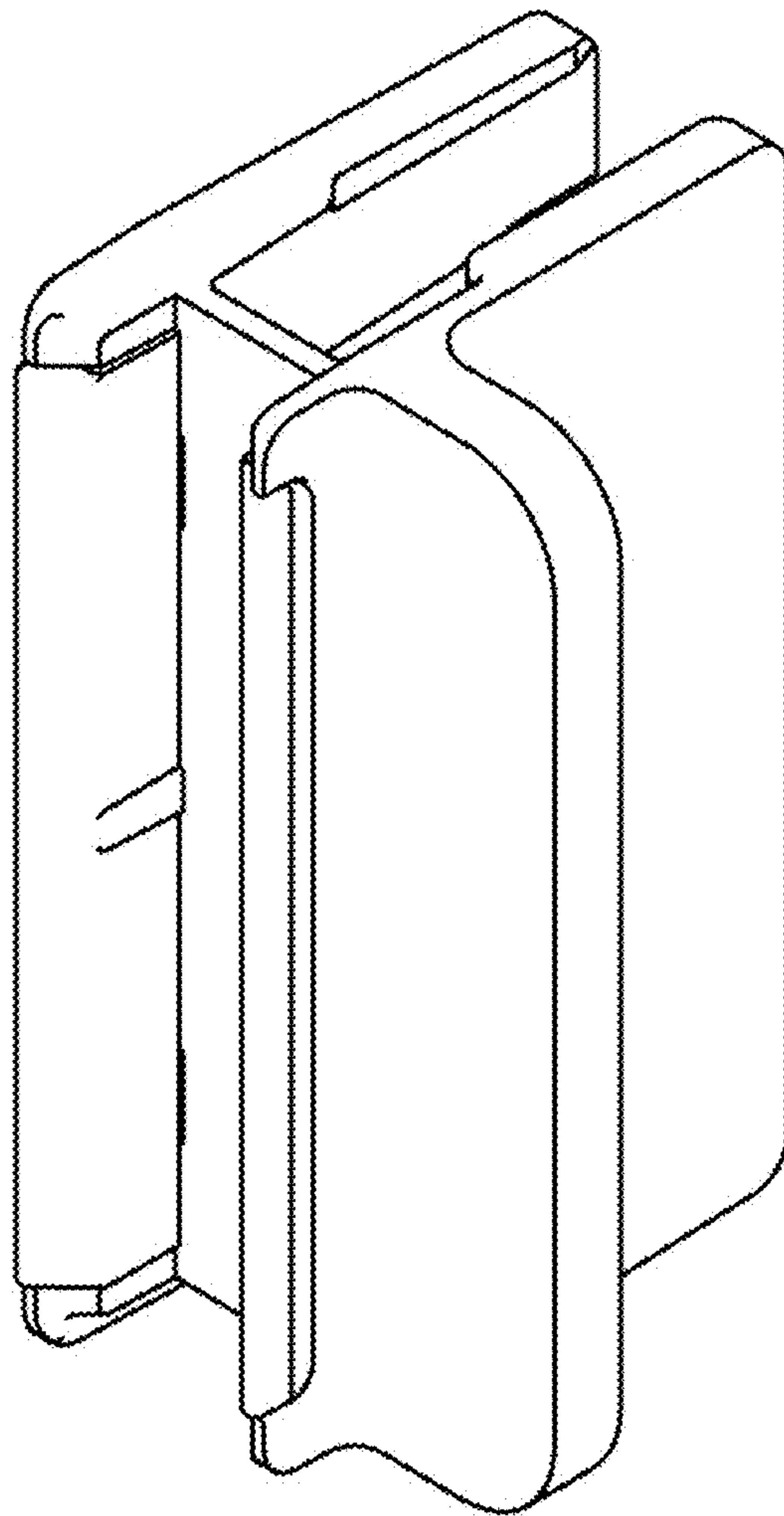


FIG. 2

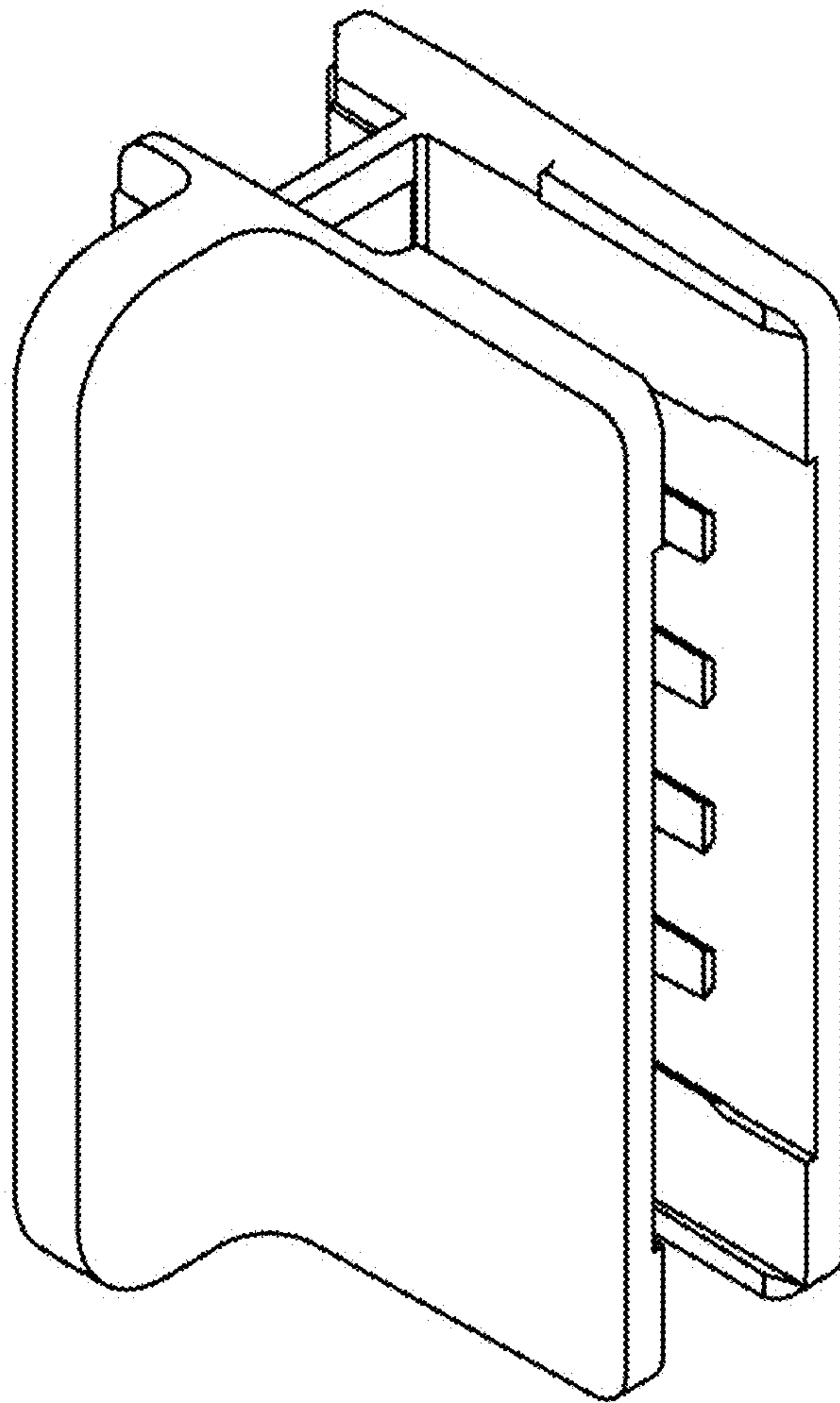


FIG. 3

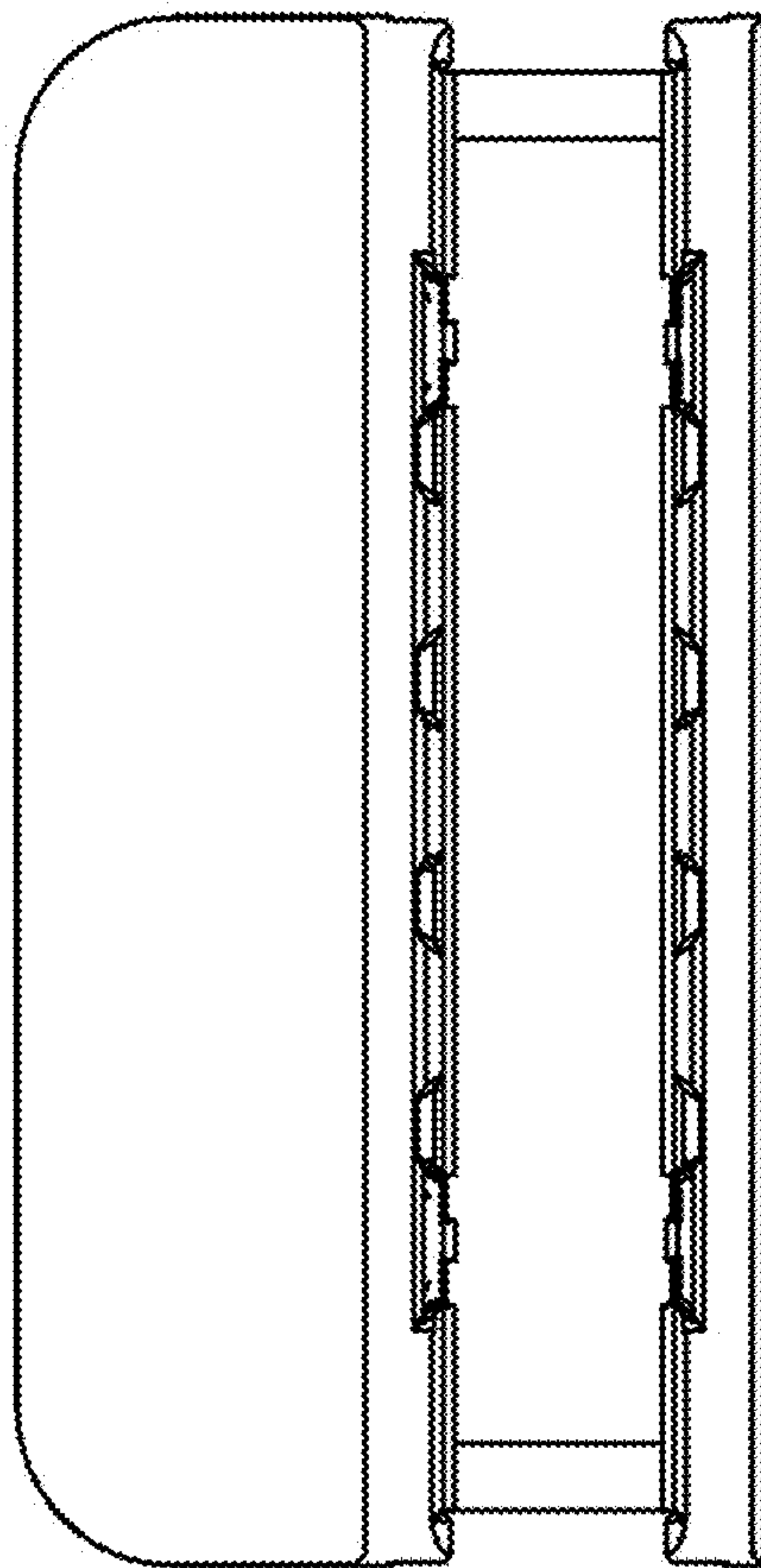


FIG. 4

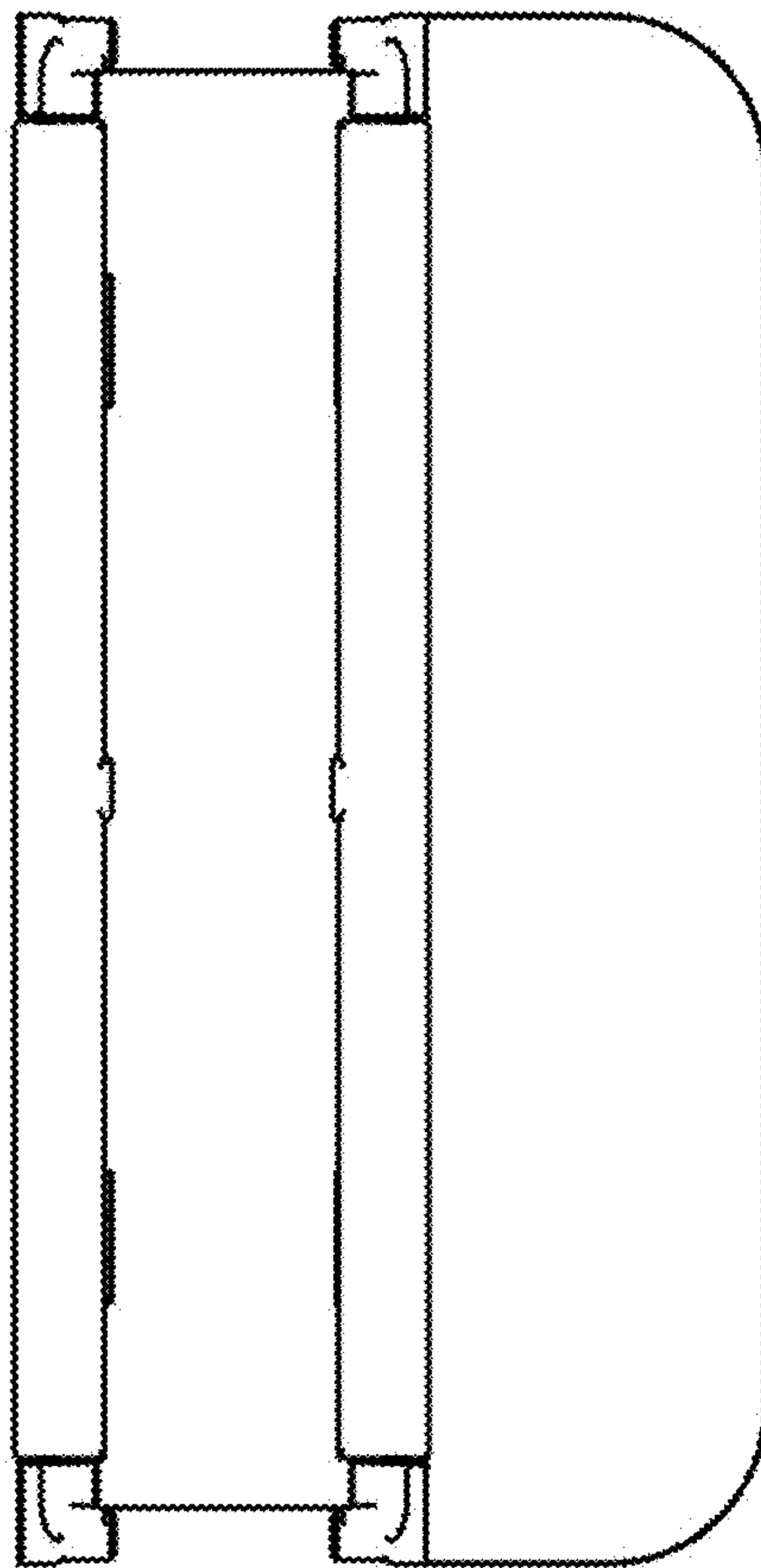


FIG. 5

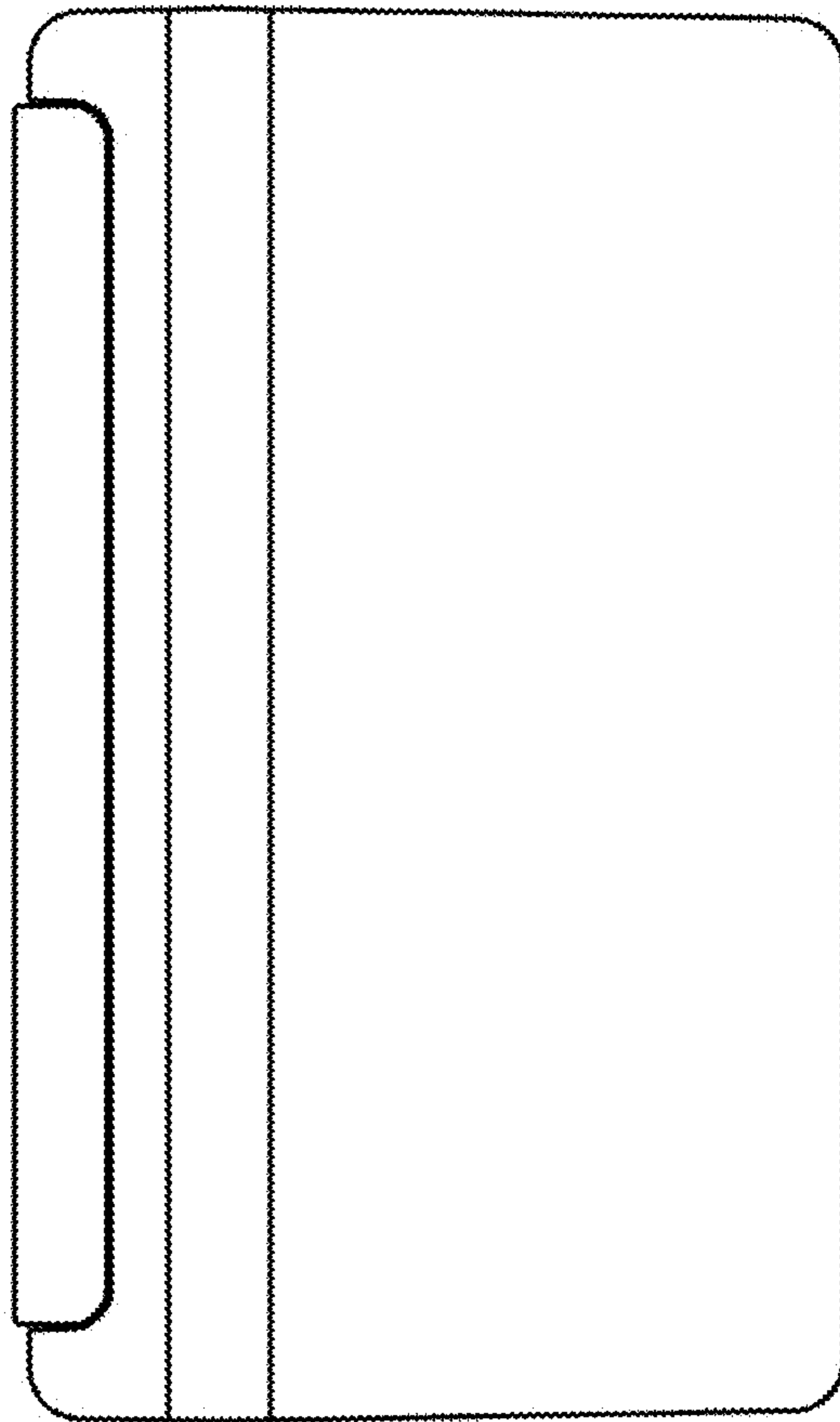


FIG. 6

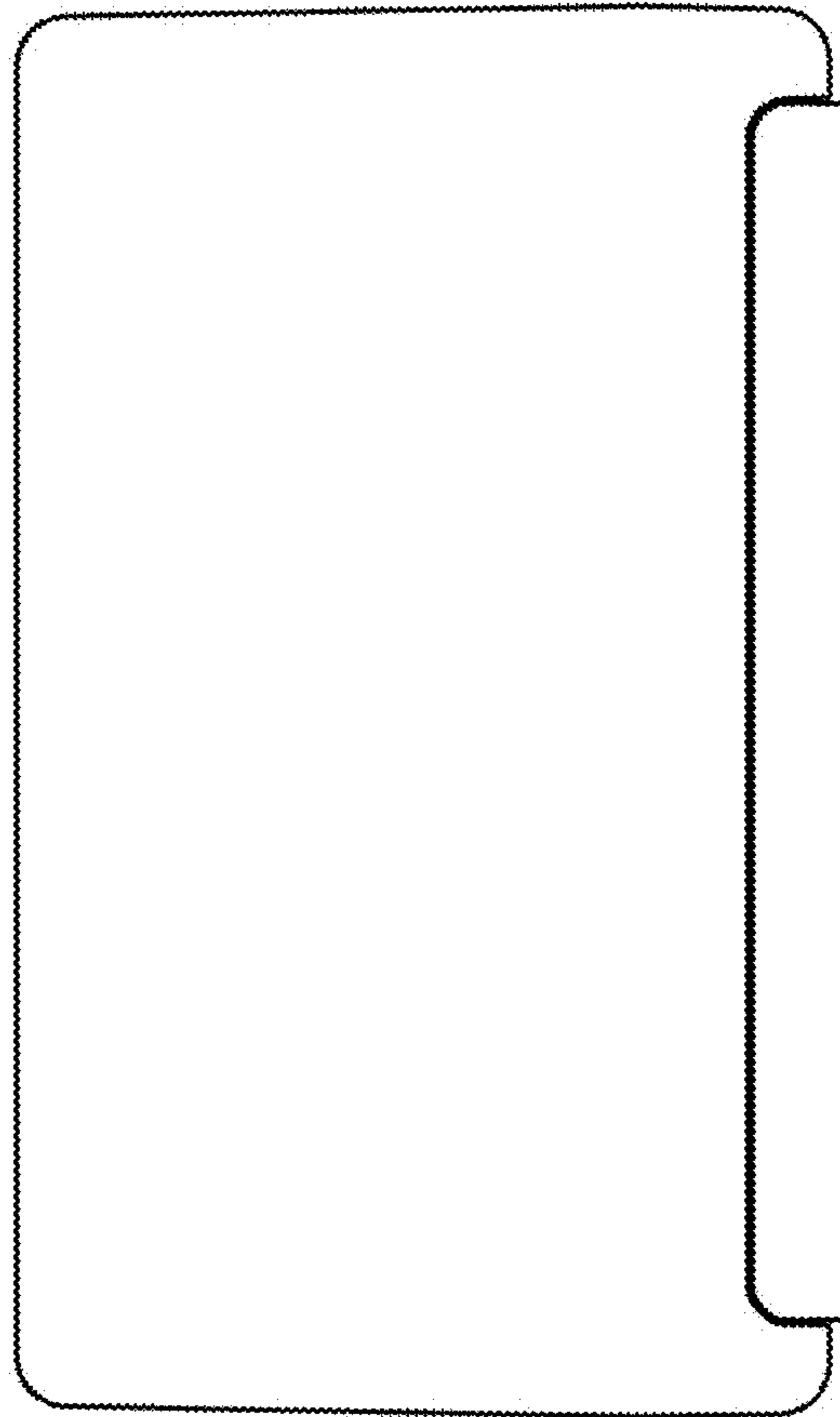




FIG. 7

