



US00D792750S

(12) **United States Design Patent**
Goldstein

(10) **Patent No.:** **US D792,750 S**

(45) **Date of Patent:** **** Jul. 25, 2017**

(54) **BOTTLE OPENER**

(71) Applicant: **Avraham Goldstein**, Flushing, NY
(US)

(72) Inventor: **Avraham Goldstein**, Flushing, NY
(US)

(**) Term: **15 Years**

(21) Appl. No.: **29/563,810**

(22) Filed: **May 9, 2016**

(51) **LOC (10) Cl.** **07-99**

(52) **U.S. Cl.**
USPC **D8/33; D3/208**

(58) **Field of Classification Search**
USPC D11/1-2, 14, 26-29, 89-92, 44, 48, 81,
D11/99, 79; 63/26-28, 32; D3/207-212;
D8/16, 38, 347, 348, 33, 34, 105;
70/456 B, 457, 458, 456 R; 206/37.1, 37;
D14/434, 435, 435.1, 436, 439, 480.3,
D14/480.1, 480.5, 480.7; D24/174, 173,
D24/480.3; D17/14
CPC A45C 11/32; A47G 29/10
See application file for complete search history.

(56) **References Cited**

U.S. PATENT DOCUMENTS

D46,269 S * 8/1914 Stewart 81/3.55
1,703,759 A * 2/1929 Ament B65D 51/243
215/228
2,621,550 A * 12/1952 Bach B24B 21/00
7/151
D278,950 S * 5/1985 Vaughan D3/208
D423,209 S * 4/2000 Guyot D3/207

D509,456 S * 9/2005 Ricci 81/3.09
D667,629 S * 9/2012 Alamo D3/210
D772,031 S * 11/2016 Wu D26/38

* cited by examiner

Primary Examiner — Ralf Seifert

(57) **CLAIM**

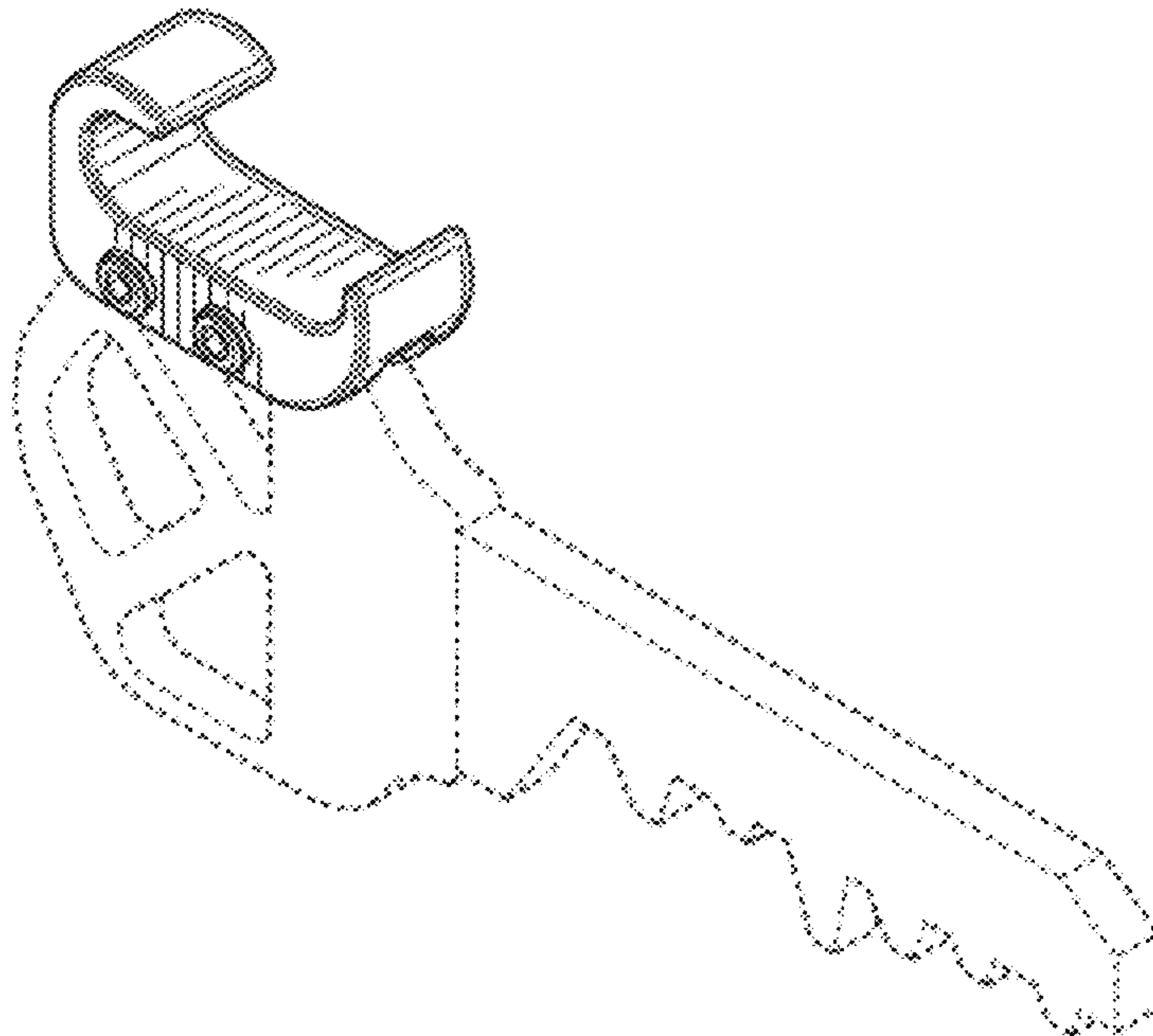
I claim the ornamental design for a bottle opener, as shown and described.

DESCRIPTION

FIG. 1 is a first perspective view of the bottle opener of the claimed design, attached to a key;
FIG. 2 is a second perspective view of the bottle opener of the claimed design, attached to a key;
FIG. 3 is a left side view of the bottle opener of the claimed design;
FIG. 4 is a right side view of the bottle opener of the claimed design;
FIG. 5 is a top side view of the bottle opener of the claimed design;
FIG. 6 is a bottom side view of the bottle opener of the claimed design;
FIG. 7 is a front side view of the bottle opener of the claimed design; and,
FIG. 8 is a back side view of the bottle opener of the claimed design.

The broken lines showing a key are for the purpose of illustrating the environment in which the design is used and form no part of the claimed design.

1 Claim, 4 Drawing Sheets



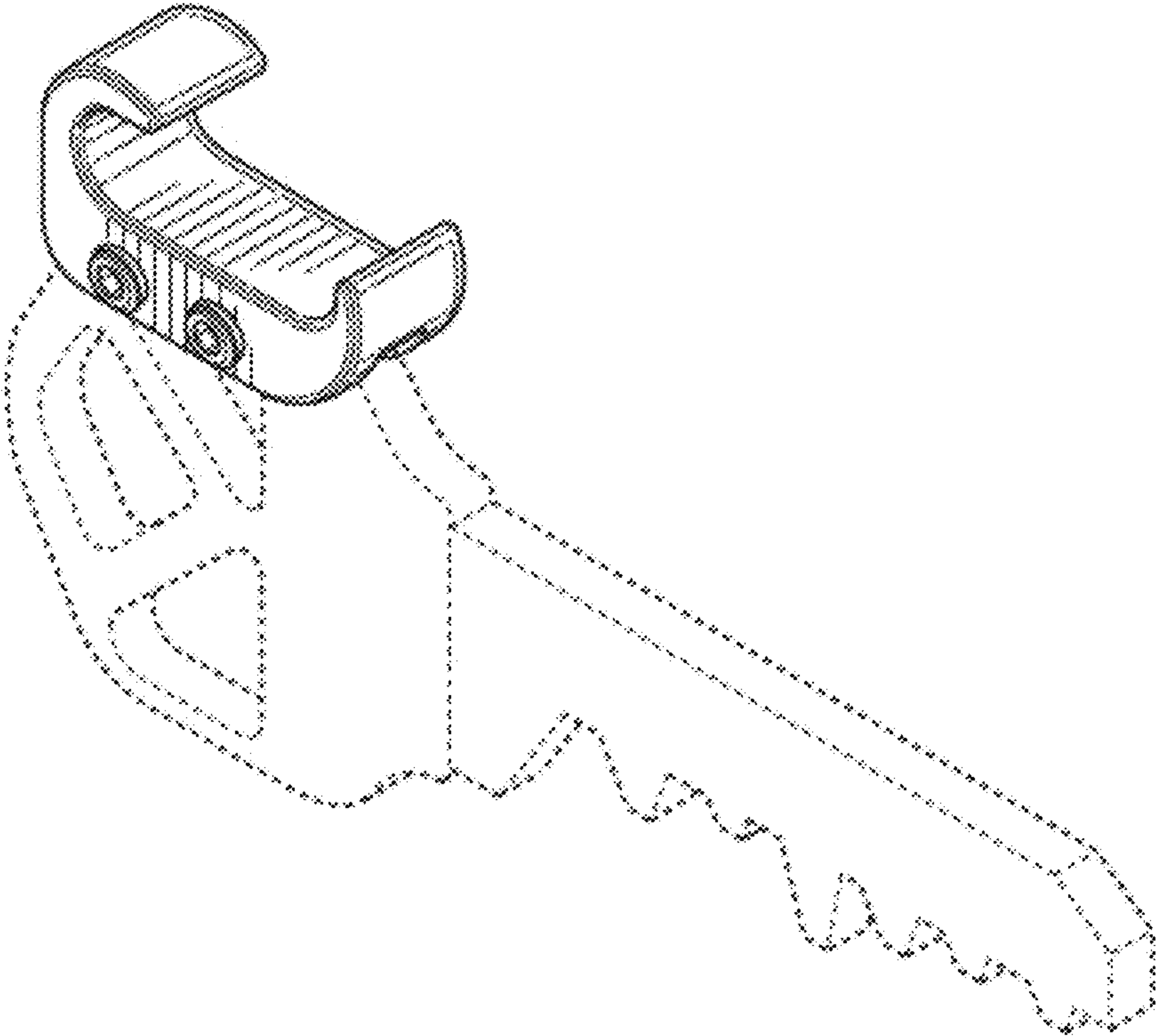


FIG. 1

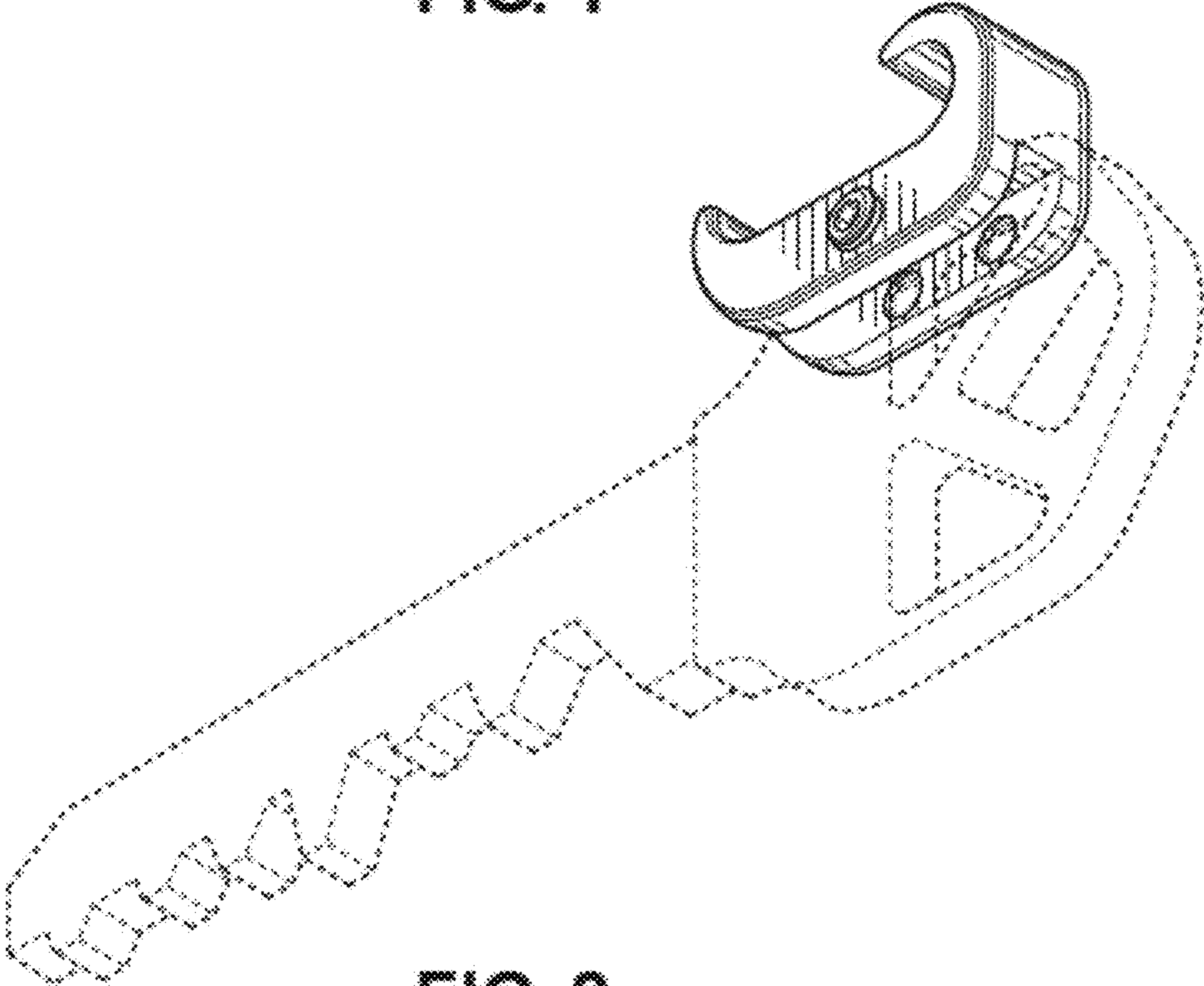


FIG. 2

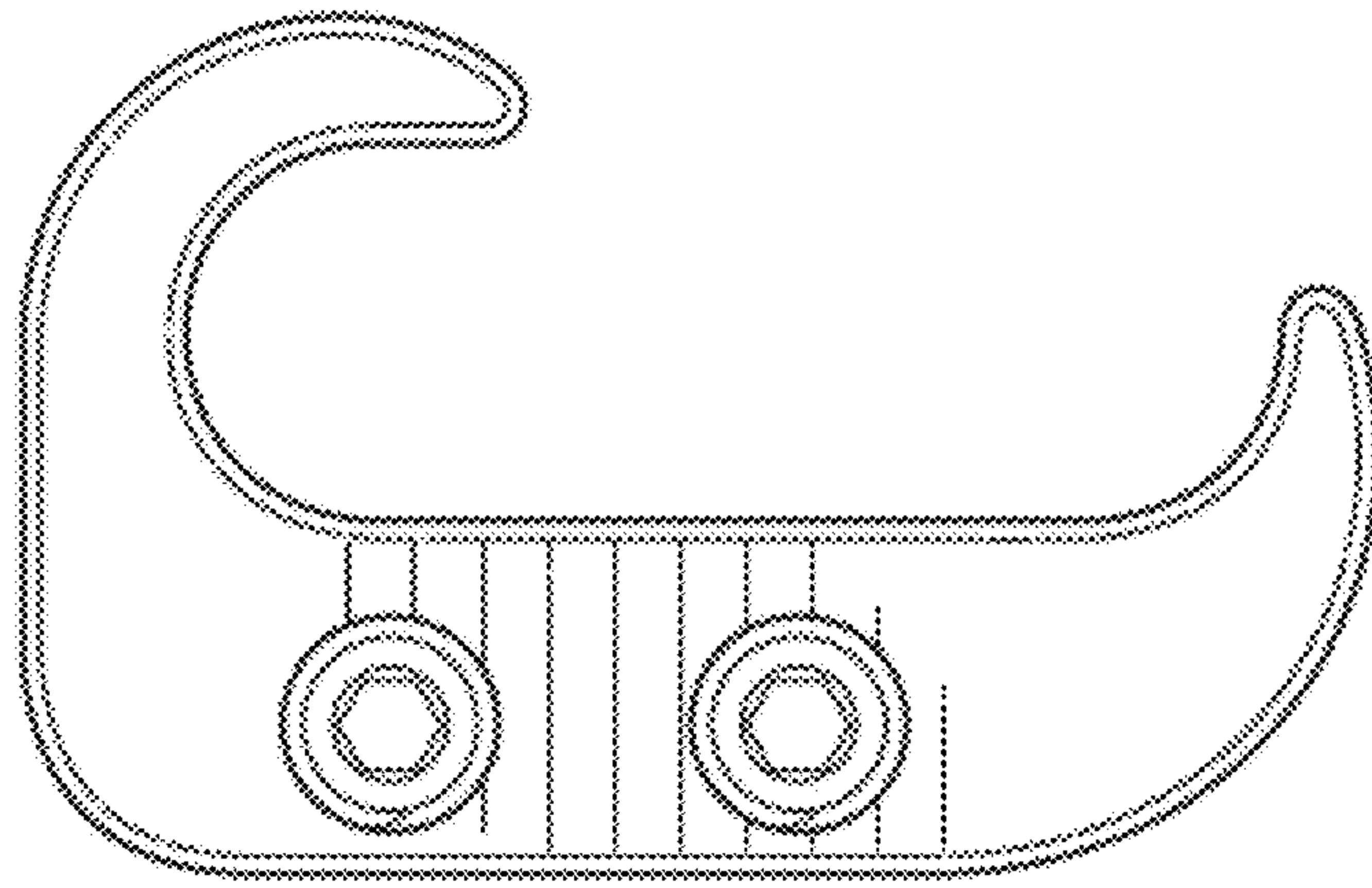


FIG. 3

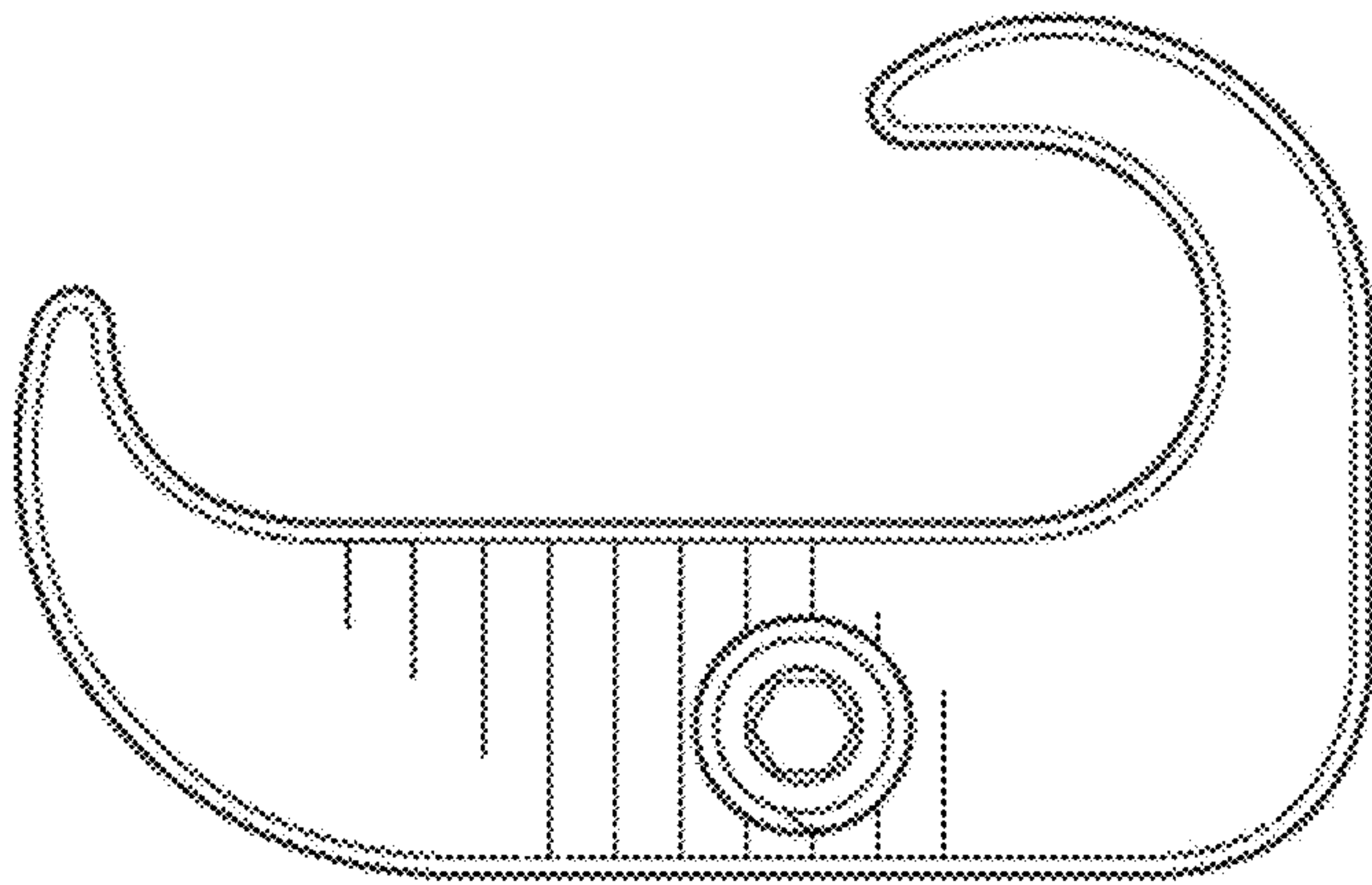


FIG. 4

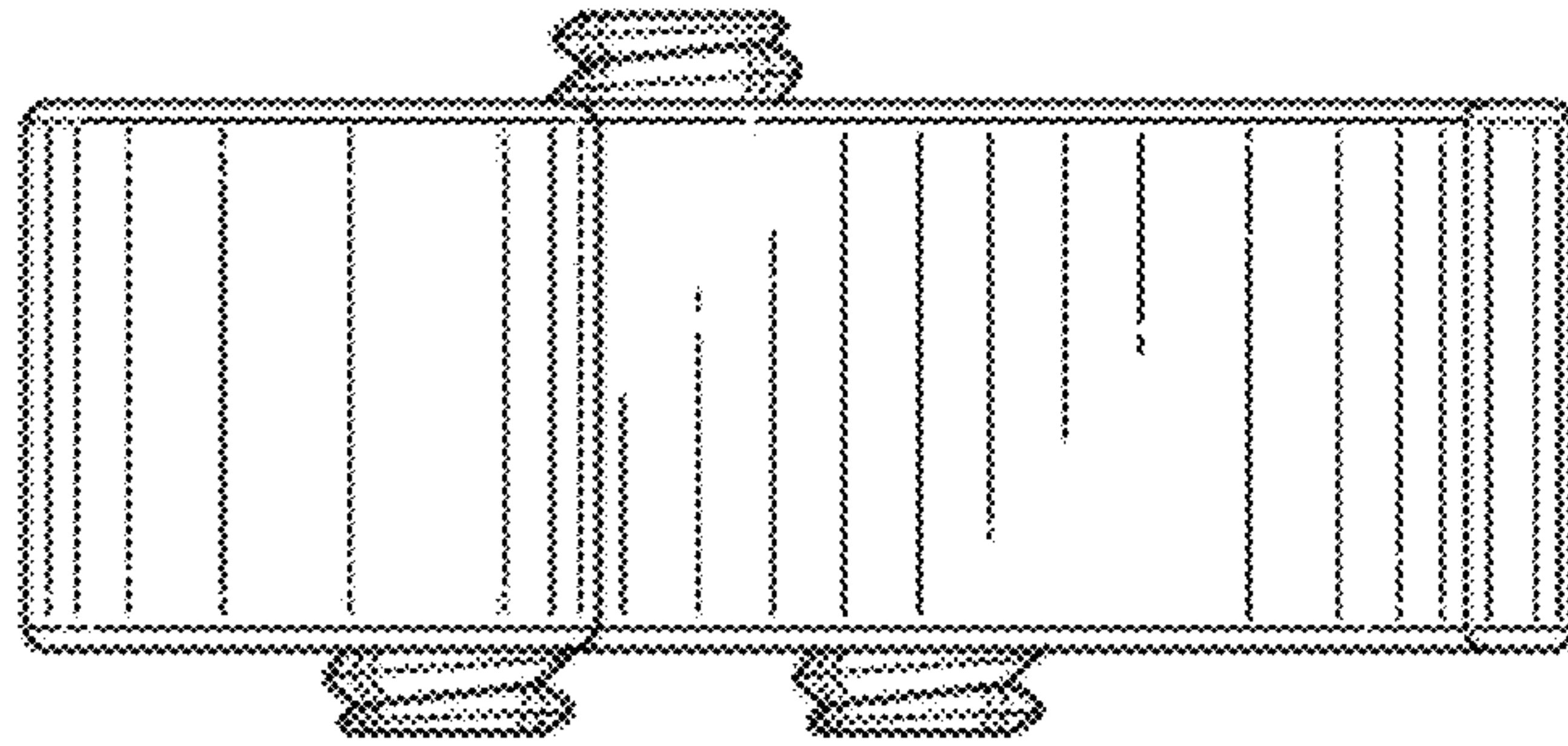


FIG. 5

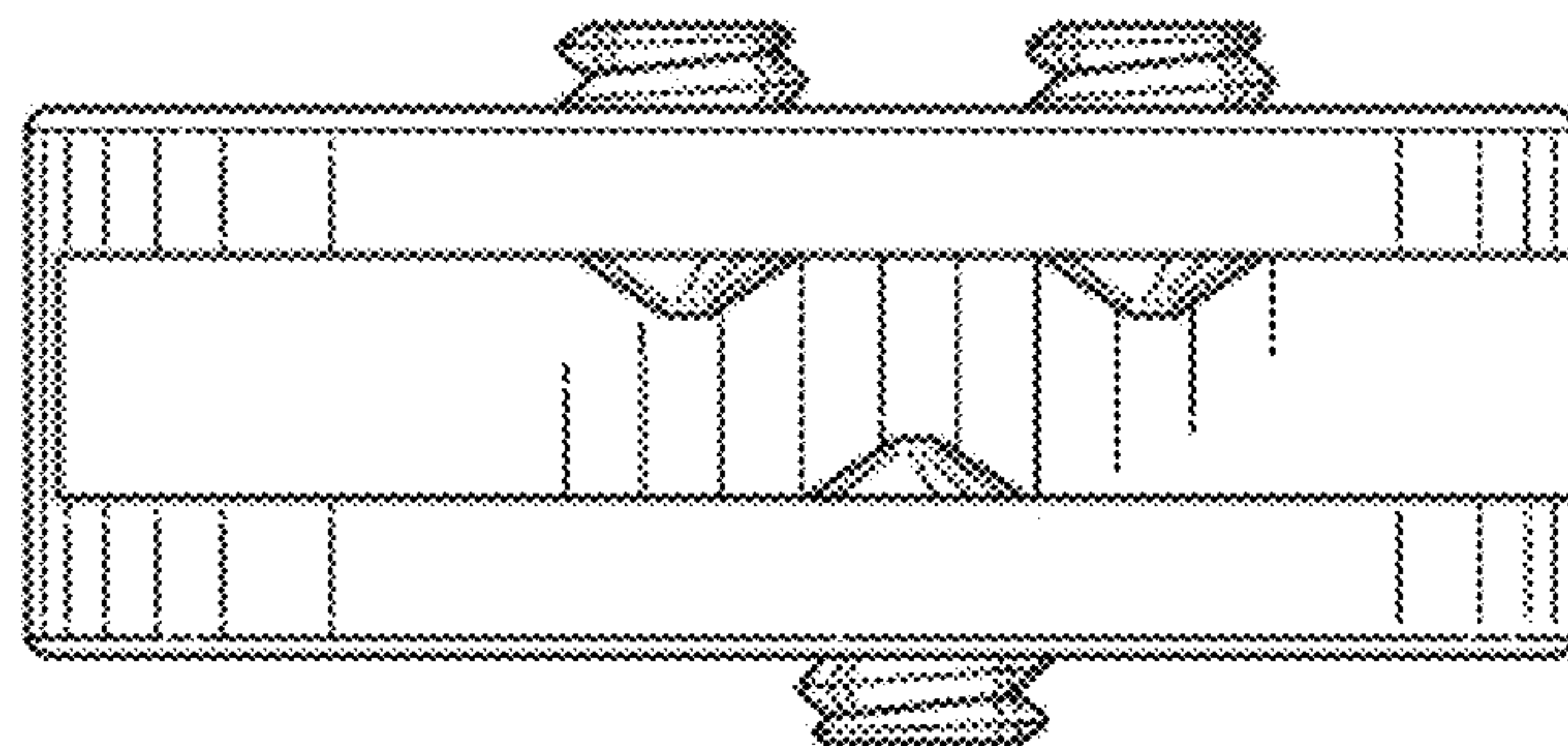


FIG. 6

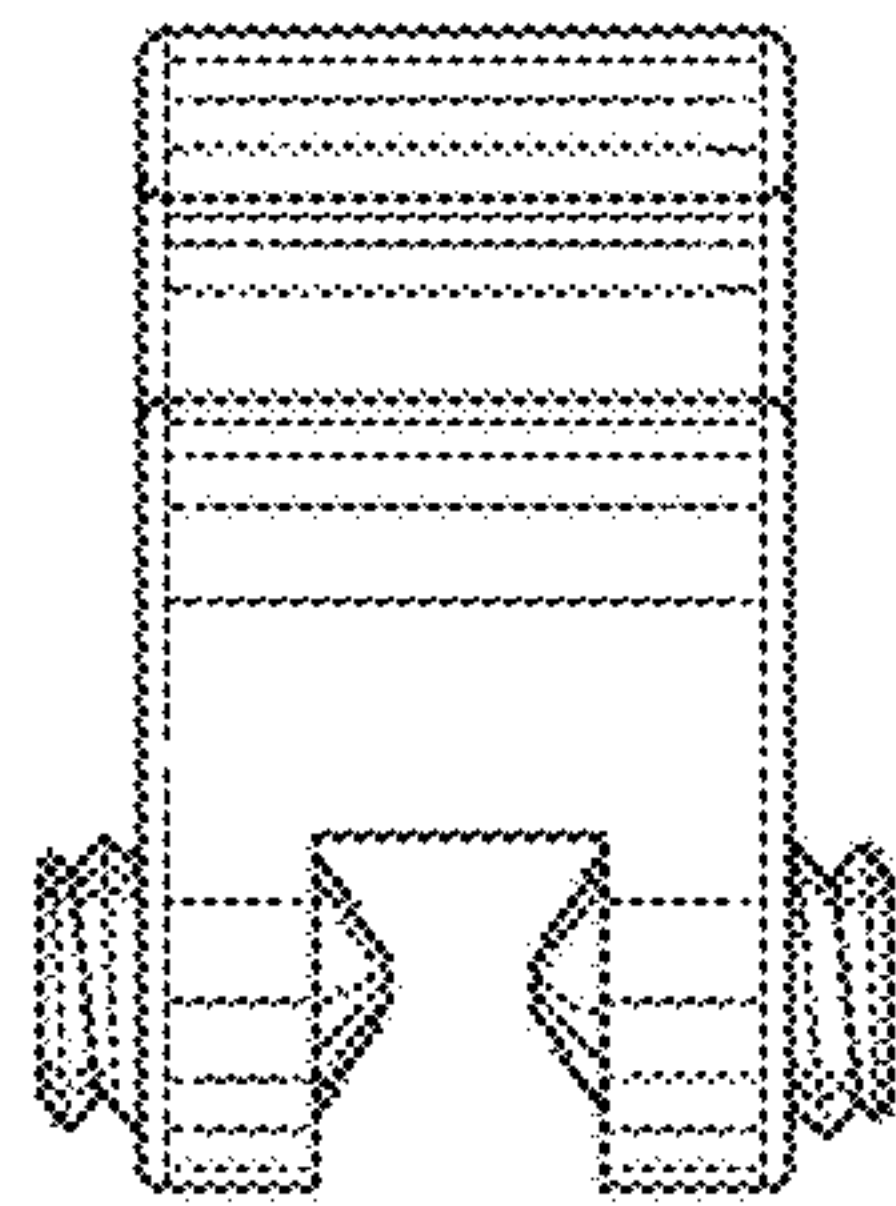


FIG. 7

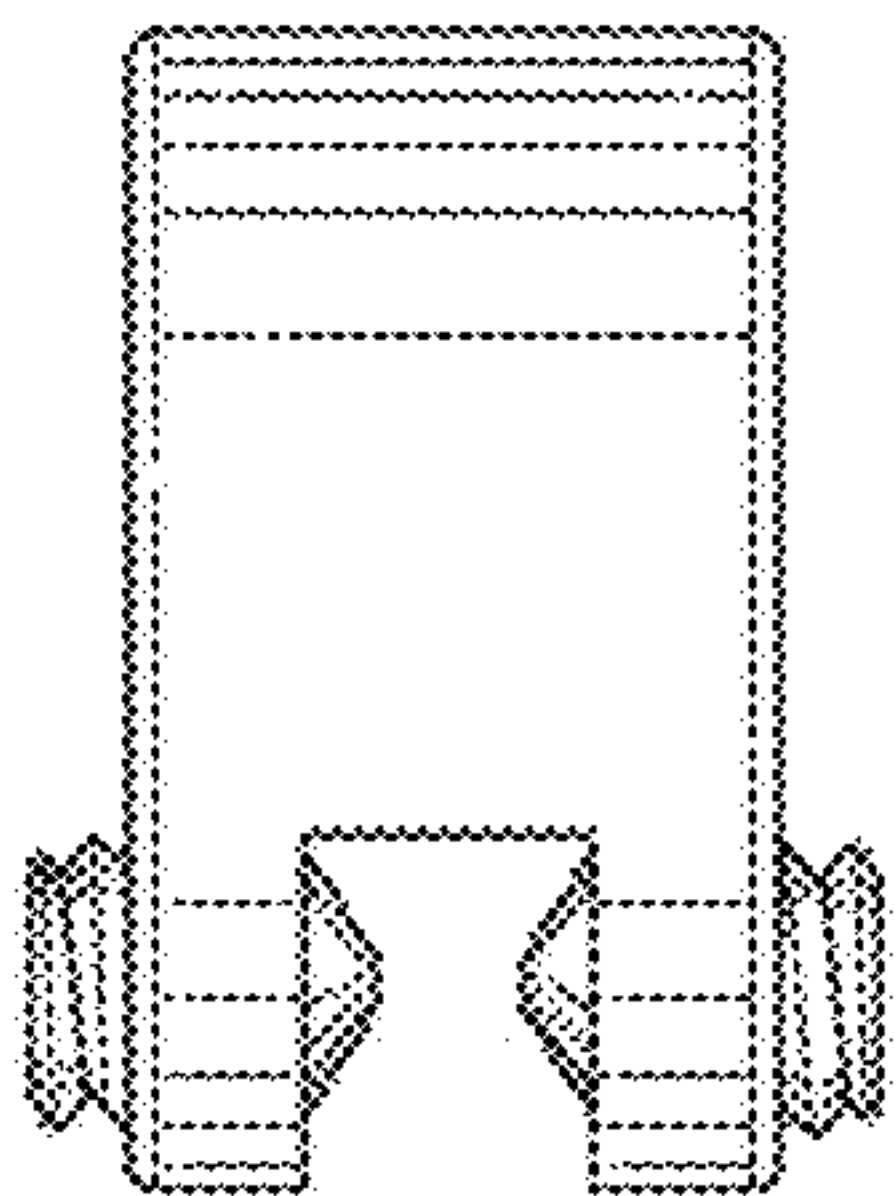


FIG. 8