



US00D792749S

(12) **United States Design Patent**  
**Faro**

(10) **Patent No.:** **US D792,749 S**

(45) **Date of Patent:** **\*\* Jul. 25, 2017**

(54) **MULTI TOOL**

(71) Applicant: **Michael Faro**, Campbell, CA (US)

(72) Inventor: **Michael Faro**, Campbell, CA (US)

(\*\*) Term: **15 Years**

(21) Appl. No.: **29/572,870**

(22) Filed: **Aug. 1, 2016**

(51) **LOC (10) Cl.** ..... **08-15**

(52) **U.S. Cl.**  
USPC ..... **D8/19**

(58) **Field of Classification Search**  
USPC ... D8/16, 18, 19, 33, 34, 40, 45, 47, 90, 93,  
D8/366, 371, 207, 208, 210; D3/207,  
D3/208, 210  
CPC ..... B23G 7/02; B23G 1/46; B24B 3/602  
See application file for complete search history.

(56) **References Cited**

**U.S. PATENT DOCUMENTS**

D58,817 S *	8/1921	Palmberg	30/123
D218,272 S *	8/1970	Bothe	7/169
D666,883 S *	9/2012	Howard	F41A 35/00
			D8/19
D707,091 S *	6/2014	Barr	D8/16
D707,507 S *	6/2014	Tran	D8/18
D730,131 S *	5/2015	Cornell	D8/19
D748,956 S *	2/2016	Goeckel	D8/19
D751,877 S *	3/2016	Shlaferman	D8/19

D756,178 S *	5/2016	Kelleghan	D2/639
D766,687 S *	9/2016	Arcomano	D8/18
D772,029 S *	11/2016	Spater	D8/18
D773,908 S *	12/2016	Arakelian	D8/16
D782,890 S *	4/2017	Palomino	D8/18

\* cited by examiner

*Primary Examiner* — Robert M Spear

*Assistant Examiner* — Eliza Bennett-Hattan

(74) *Attorney, Agent, or Firm* — Steven A. Nielsen;

www.NielsenPatents.com

(57) **CLAIM**

The ornamental design for a multi tool, as shown and described.

**DESCRIPTION**

FIG. 1 is a perspective right side and front view of a multi tool;

FIG. 2 is a left side view with the right side view being a mirror image thereof;

FIG. 3 is a rear view thereof;

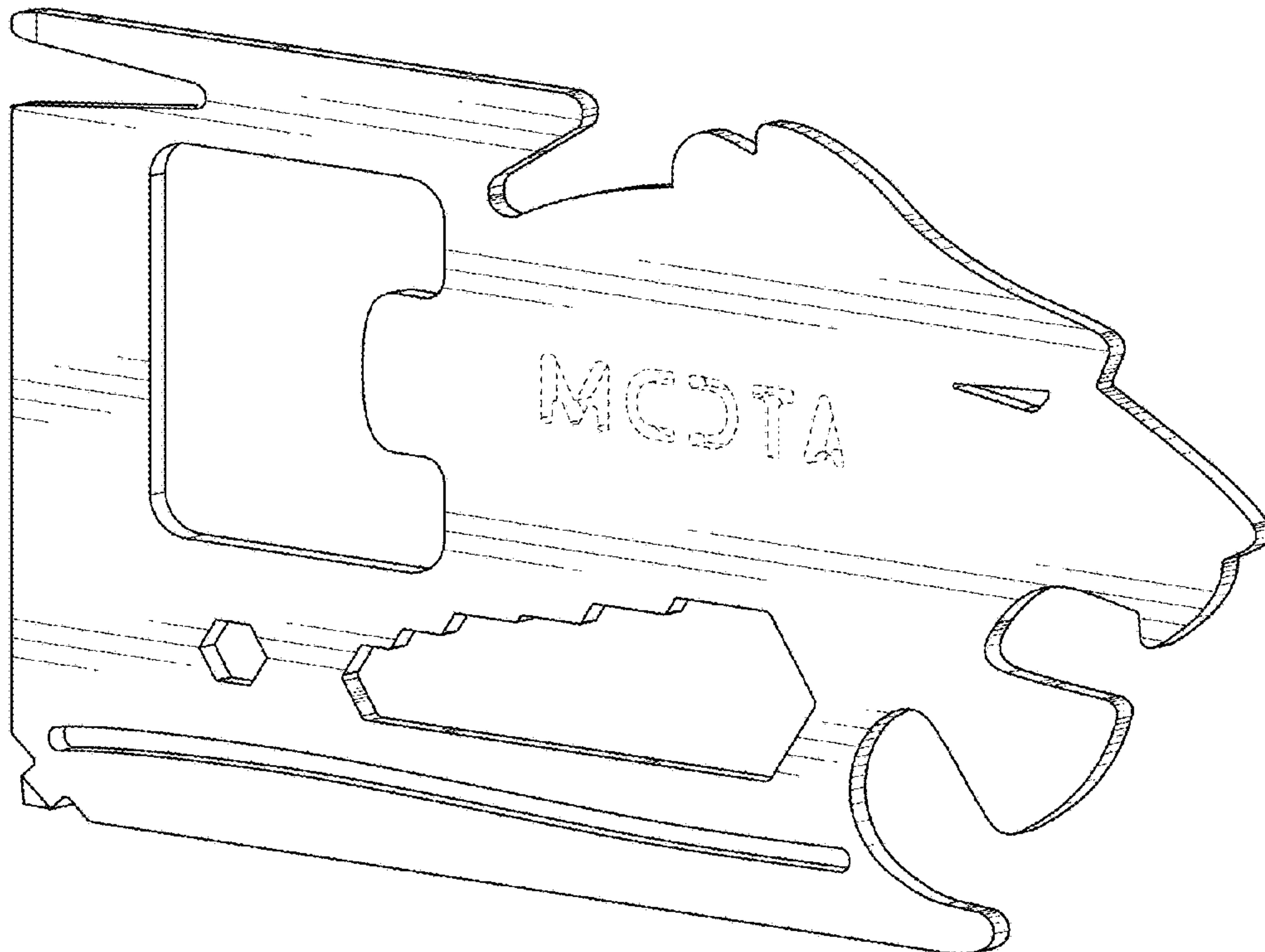
FIG. 4 is a front view thereof;

FIG. 5 is a top view thereof; and,

FIG. 6 is a bottom view thereof.

The word "MOTA" drawn in dashed lines in FIGS. 1 and 2 forms no part of the claimed design and is drawn to show environmental factors only.

**1 Claim, 4 Drawing Sheets**



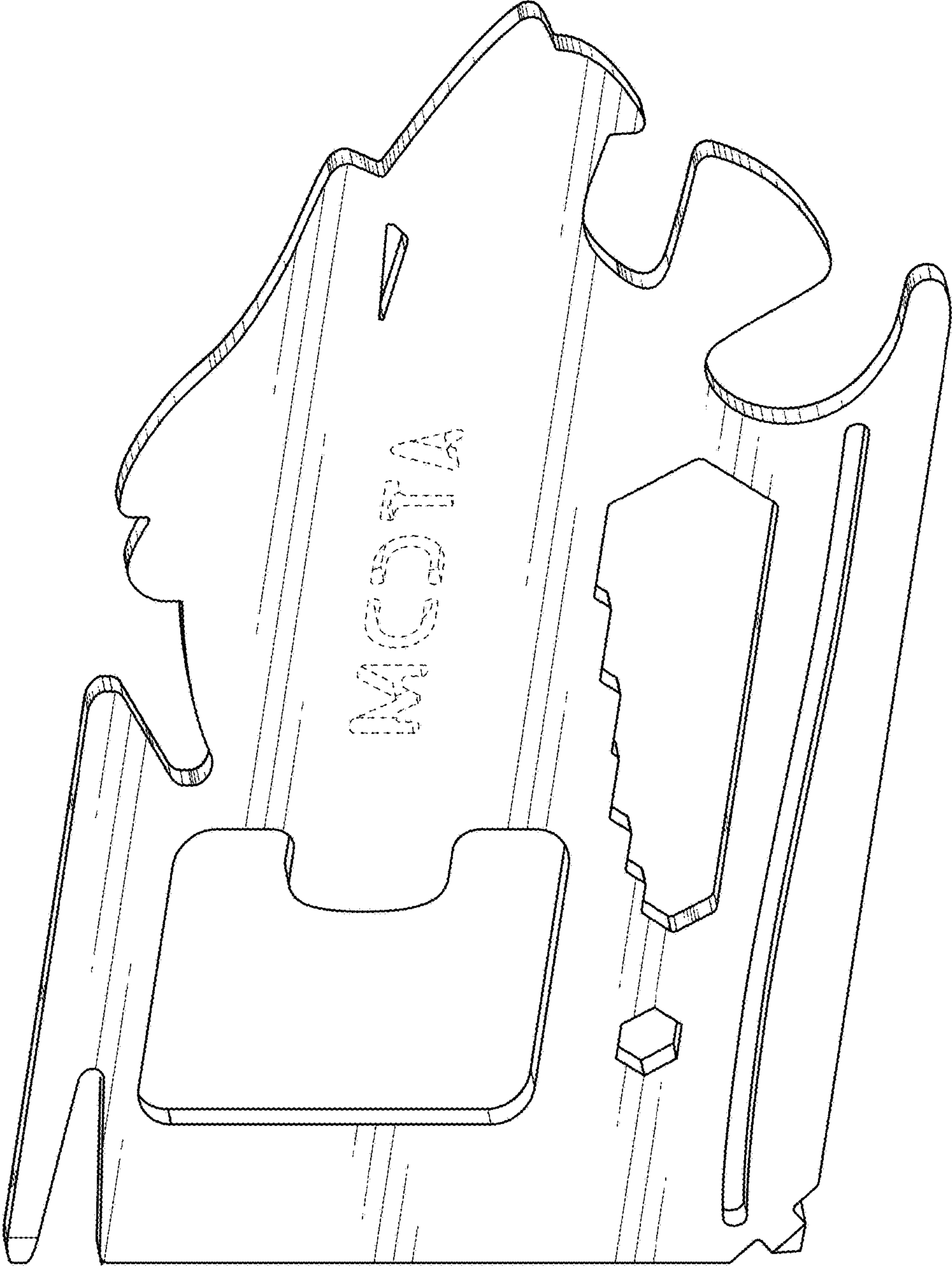


FIG. 1

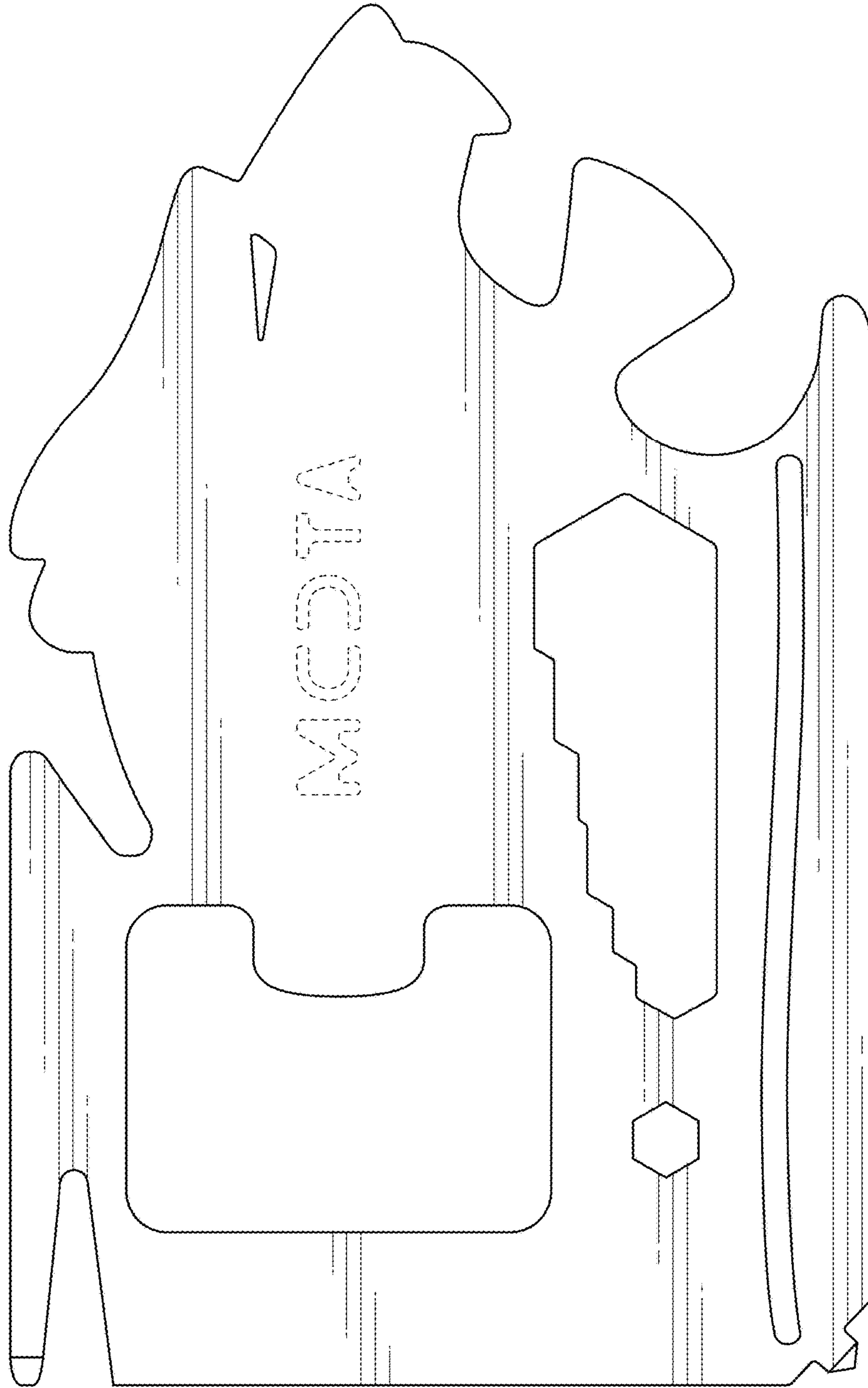


FIG. 2



FIG. 3

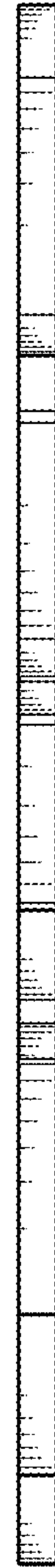


FIG. 4

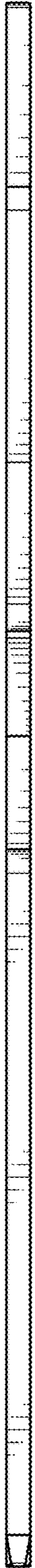


FIG. 5



FIG. 6