



US00D792748S

(12) **United States Design Patent**
Yeoh et al.

(10) **Patent No.:** **US D792,748 S**
(45) **Date of Patent:** **** Jul. 25, 2017**

(54) **MULTIPLE IMPLEMENT OUTDOOR TOOL**

(71) Applicants: **Alan Stewart Yeoh**, Cottonwood Heights, UT (US); **Joel Parks**, Salt Lake City, UT (US)

(72) Inventors: **Alan Stewart Yeoh**, Cottonwood Heights, UT (US); **Joel Parks**, Salt Lake City, UT (US)

(**) Term: **15 Years**

(21) Appl. No.: **29/543,665**

(22) Filed: **Oct. 27, 2015**

(51) **LOC (10) Cl.** **08-01**

(52) **U.S. Cl.**
USPC **D8/10**

(58) **Field of Classification Search**
USPC D8/1, 7, 9, 10, 11, 12, 88, 89, 81, 105;
D21/532
CPC A01B 1/02; A01B 1/022; A01B 1/026;
A01B 1/04; A01B 1/20; B66F 15/00;
B25F 1/00; B25F 1/006; B25F 1/02;
A62B 3/005
See application file for complete search history.

(56) **References Cited**

U.S. PATENT DOCUMENTS

- 648,321 A * 4/1900 Westerberg A01B 1/02
294/49
- 1,475,899 A * 11/1923 Thibault A01B 1/222
294/49
- 1,519,892 A * 12/1924 Webster B25G 1/06
294/57
- 3,401,971 A * 9/1968 Cronquist A01B 1/022
294/53.5
- 3,705,430 A * 12/1972 Ziaylek, Jr. B25F 1/00
7/147
- 3,848,915 A * 11/1974 Wherry A01G 23/04
294/49

- 4,114,216 A * 9/1978 Gatby B26B 23/00
7/116
- D267,772 S * 2/1983 Heimdal D8/9
- 5,345,635 A * 9/1994 Morgan A01B 1/20
294/51
- D362,164 S * 9/1995 Butcher 294/49
- 5,507,051 A * 4/1996 Mazon A01B 1/022
7/104
- D426,436 S * 6/2000 Ng D8/10
- 6,357,067 B1 * 3/2002 Jones A01B 1/022
7/116

(Continued)

Primary Examiner — Sandra Snapp

Assistant Examiner — Ieisha Price

(74) *Attorney, Agent, or Firm* — Morriss O'Bryant
Compagni

(57) **CLAIM**

The ornamental design for a multiple implement outdoor tool, as shown and described herein.

DESCRIPTION

FIG. 1 is a perspective view of the multiple implement outdoor tool, with the handle end of the tool oriented toward the bottom of the page, showing our new design;

FIG. 2 is top plan view of the multiple implement outdoor tool;

FIG. 3 is bottom plan view of the multiple implement outdoor tool;

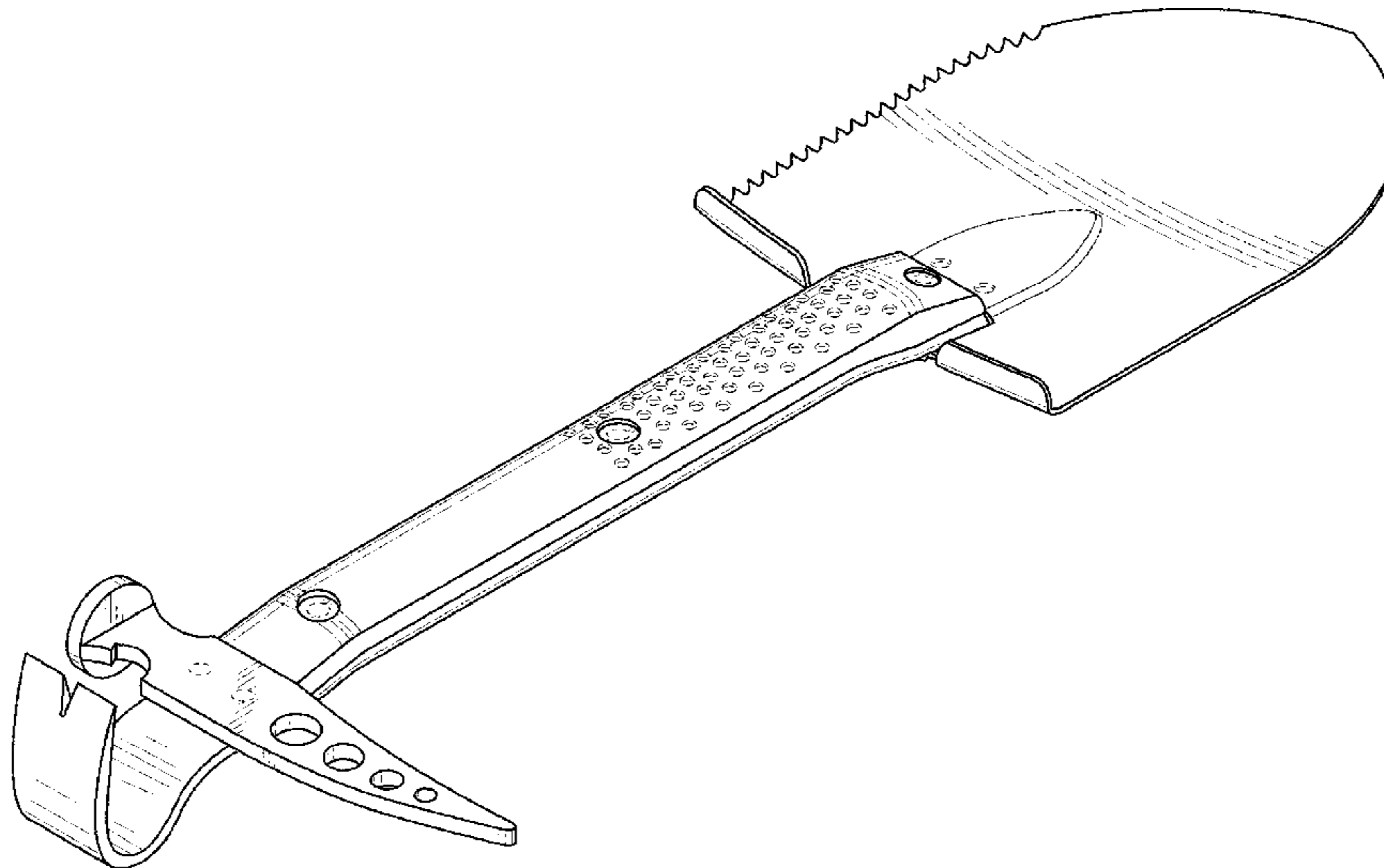
FIG. 4 is a side elevation view of the multiple implement outdoor tool, with the handle end oriented to the left;

FIG. 5 is a side elevation view of the opposing side of the multiple implement outdoor tool as shown in FIG. 4;

FIG. 6 is an end elevation view of the multiple implement outdoor tool, depicting the handle end of the tool; and,

FIG. 7 is an end elevation view of the multiple implement outdoor tool, depicting the shovel head end of the tool.

1 Claim, 4 Drawing Sheets



(56)

References Cited

U.S. PATENT DOCUMENTS

6,378,153 B1 * 4/2002 Morgan A01B 1/022
294/51
D551,524 S * 9/2007 Norton D8/10
D653,510 S * 2/2012 Huff D8/10
9,119,337 B2 * 9/2015 Frati A01B 1/225
2002/0184713 A1 * 12/2002 Dallas B23D 57/0076
7/116
2009/0307847 A1 * 12/2009 Liou B25F 1/00
7/166
2017/0021486 A1 * 1/2017 Reissmann B25F 1/02

* cited by examiner

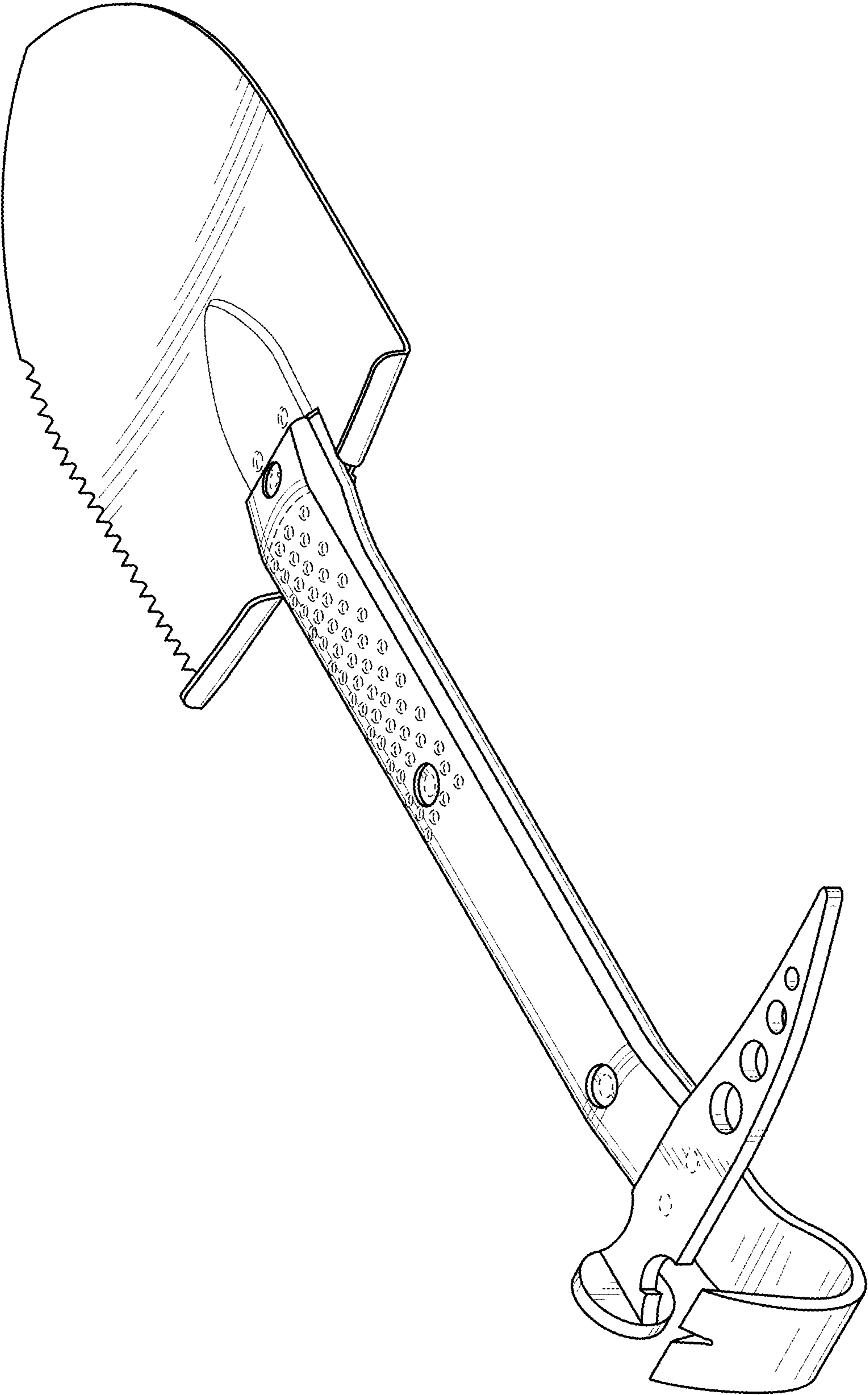


FIG. 1

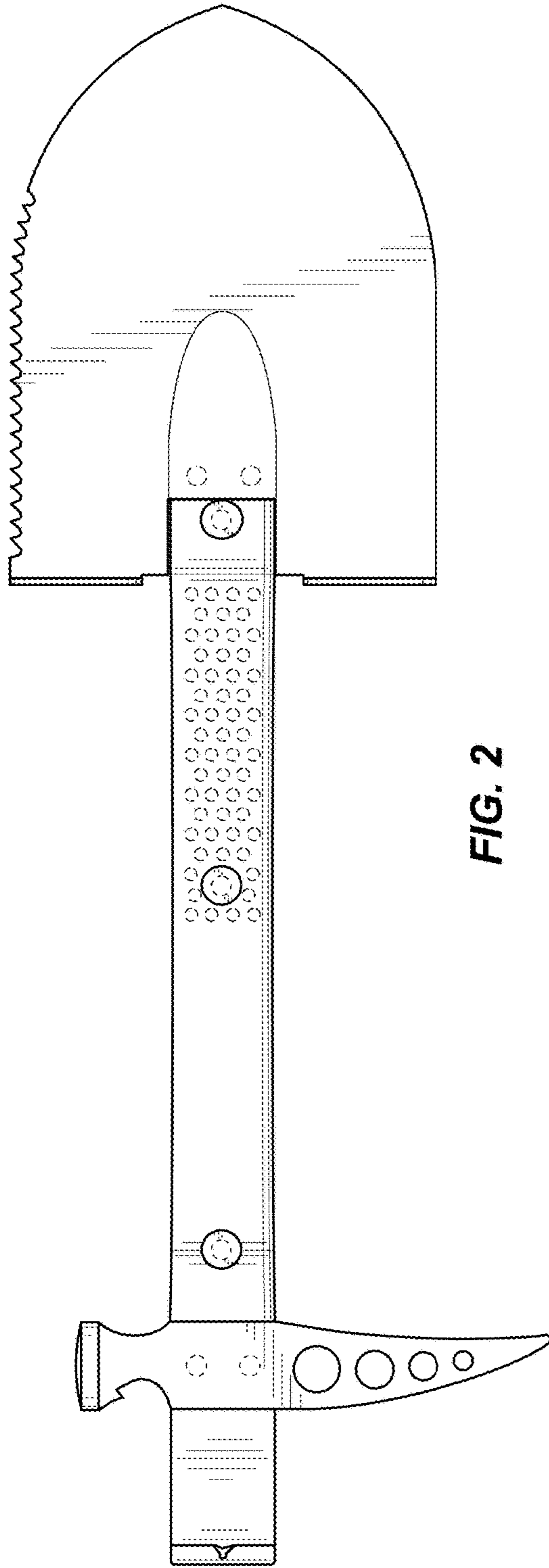


FIG. 2

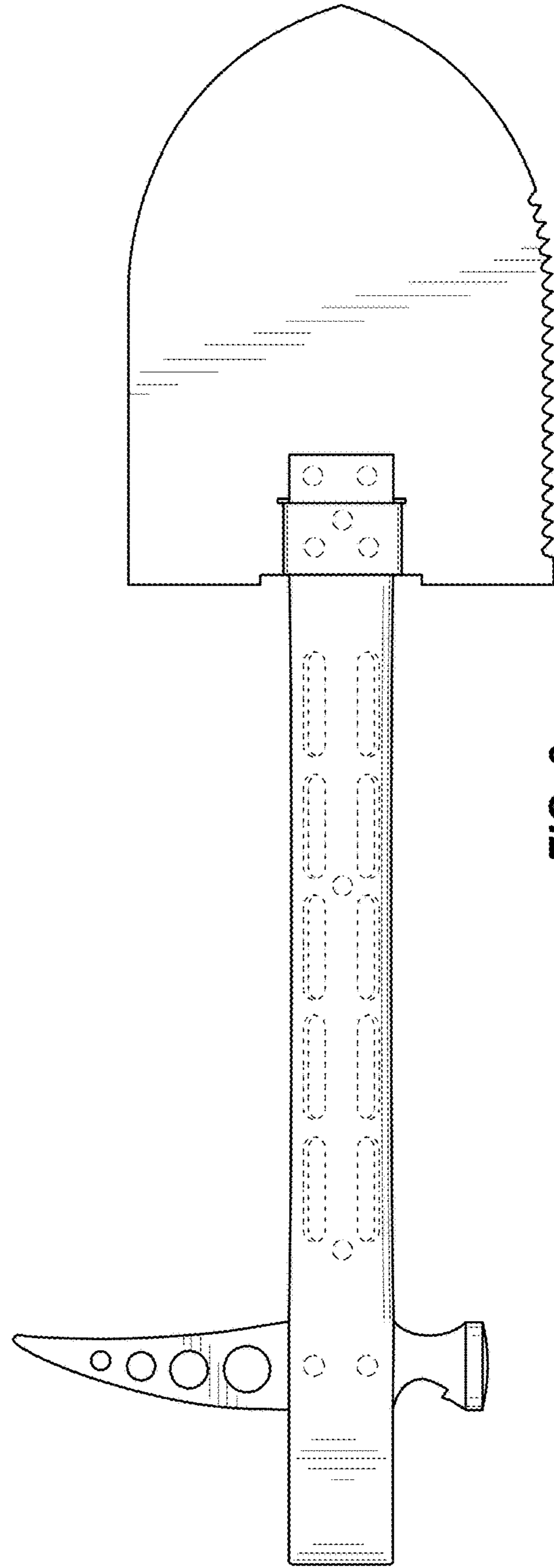


FIG. 3

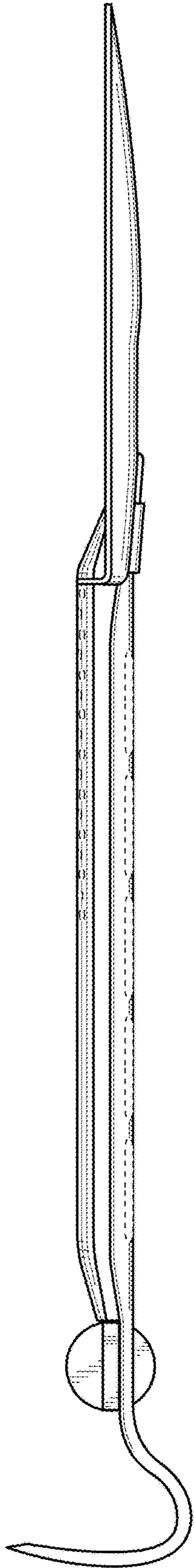


FIG. 4

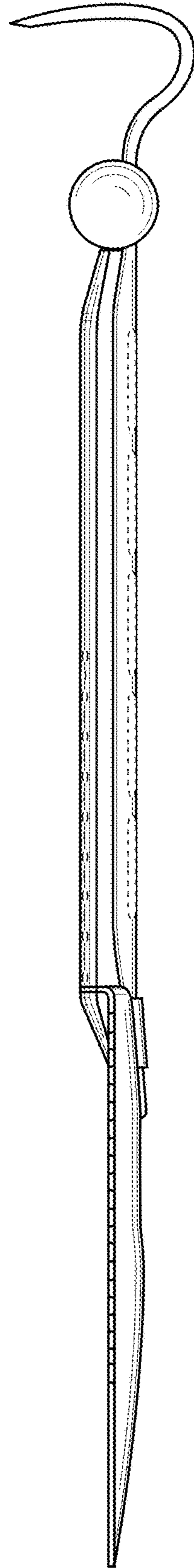


FIG. 5

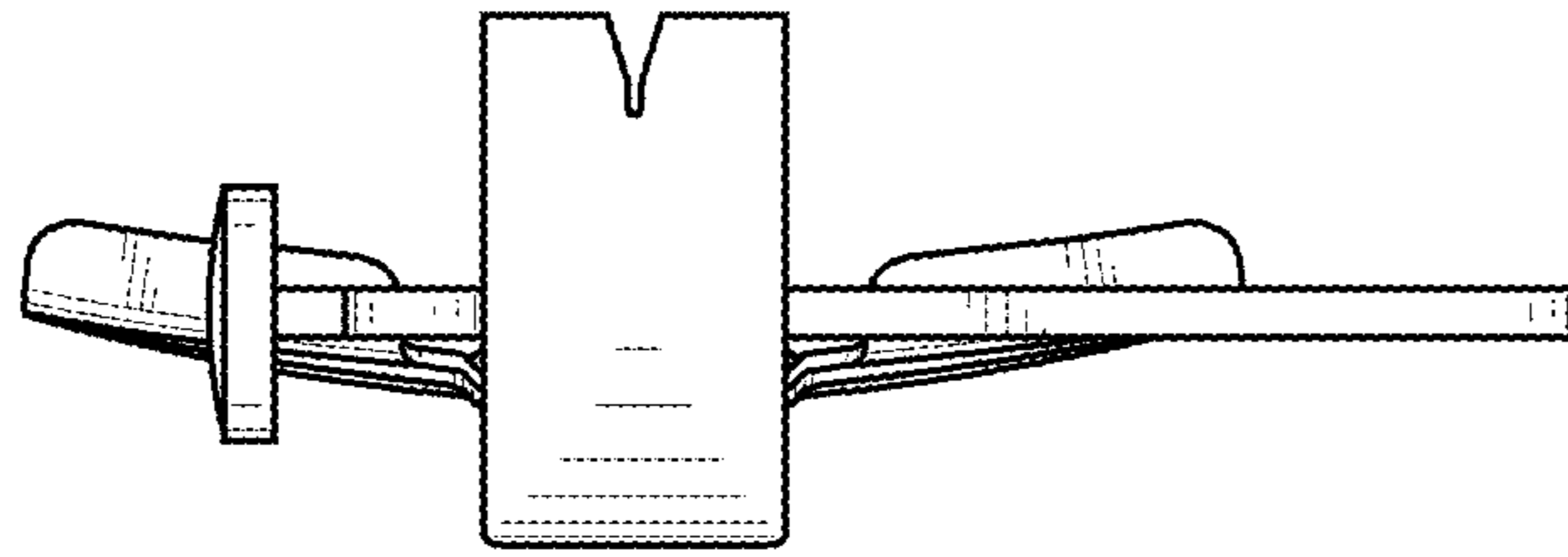


FIG. 6

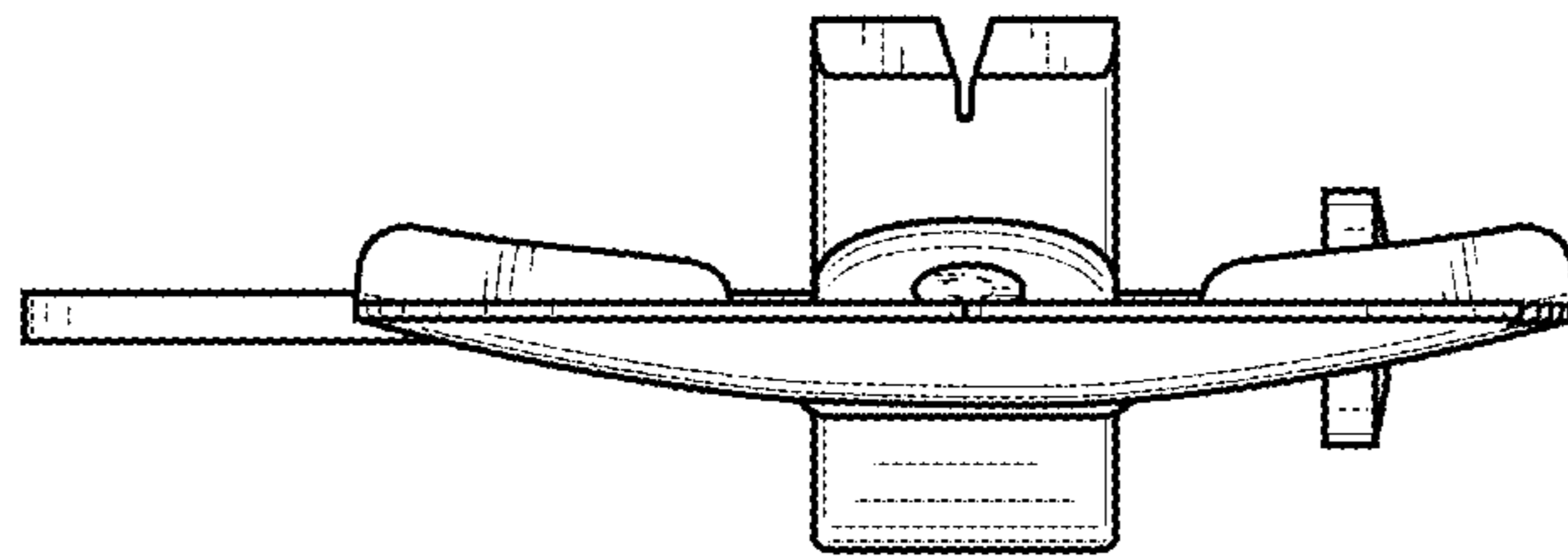


FIG. 7