



US00D792747S

(12) **United States Design Patent** (10) **Patent No.:** **US D792,747 S**  
**McGee** (45) **Date of Patent:** **\*\* Jul. 25, 2017**

(54) **KITCHEN TOOL** D717,131 S \* 11/2014 Smallegan ..... D7/694  
D731,865 S \* 6/2015 Griffin ..... D7/372  
(71) Applicant: **Quilton McGee**, Oxford, MS (US) 2012/0147693 A1\* 6/2012 Bahlenhorst ..... A47J 43/27  
366/130

(72) Inventor: **Quilton McGee**, Oxford, MS (US) \* cited by examiner

(\*\*) Term: **15 Years**

*Primary Examiner* — Terry Wallace

(21) Appl. No.: **29/505,461**

(22) Filed: **Nov. 9, 2015**

(57) **CLAIM**

(51) **LOC (10) Cl.** ..... **07-04**

I claim the ornamental design for a kitchen tool, as shown and described.

(52) **U.S. Cl.**  
USPC ..... **D7/669**

(58) **Field of Classification Search**  
USPC ..... D7/669, 678, 679, 694, 665, 667, 697,  
D7/604, 606, 584, 586, 587, 571, 564,  
D7/593, 594

**DESCRIPTION**

See application file for complete search history.

FIG. 1: is the perspective view of the kitchen tool;  
FIG. 2: is the front view of thereof;  
FIG. 3: is the side view thereof;  
FIG. 4: is the back view thereof;  
FIG. 5: is the top view thereof; and,  
FIG. 6: is the bottom view thereof.

(56) **References Cited**

U.S. PATENT DOCUMENTS

5,572,792 A \* 11/1996 Garabedian ..... A47J 37/0786  
206/315.3  
D693,652 S \* 11/2013 Breit ..... D7/678

**1 Claim, 6 Drawing Sheets**

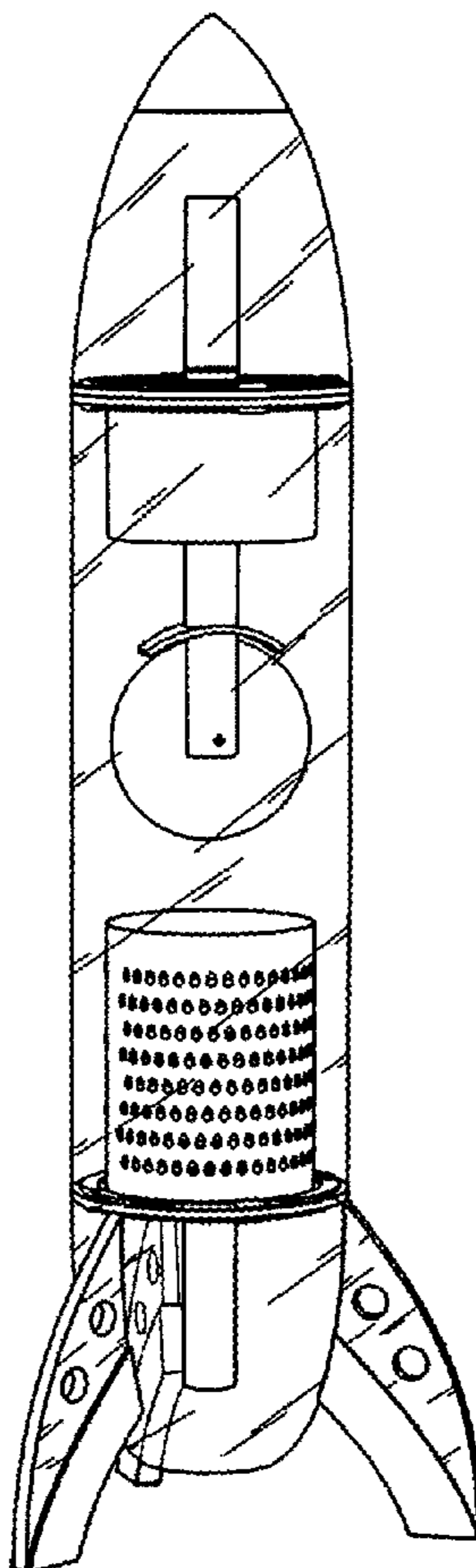


Fig. 1

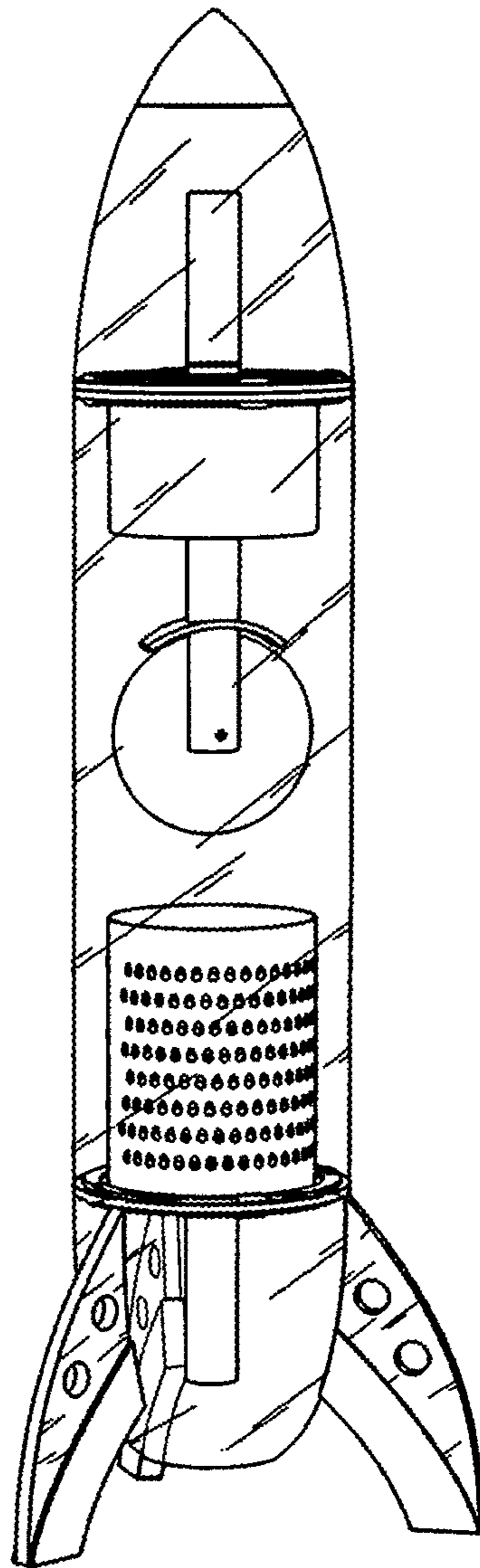


Fig. 2

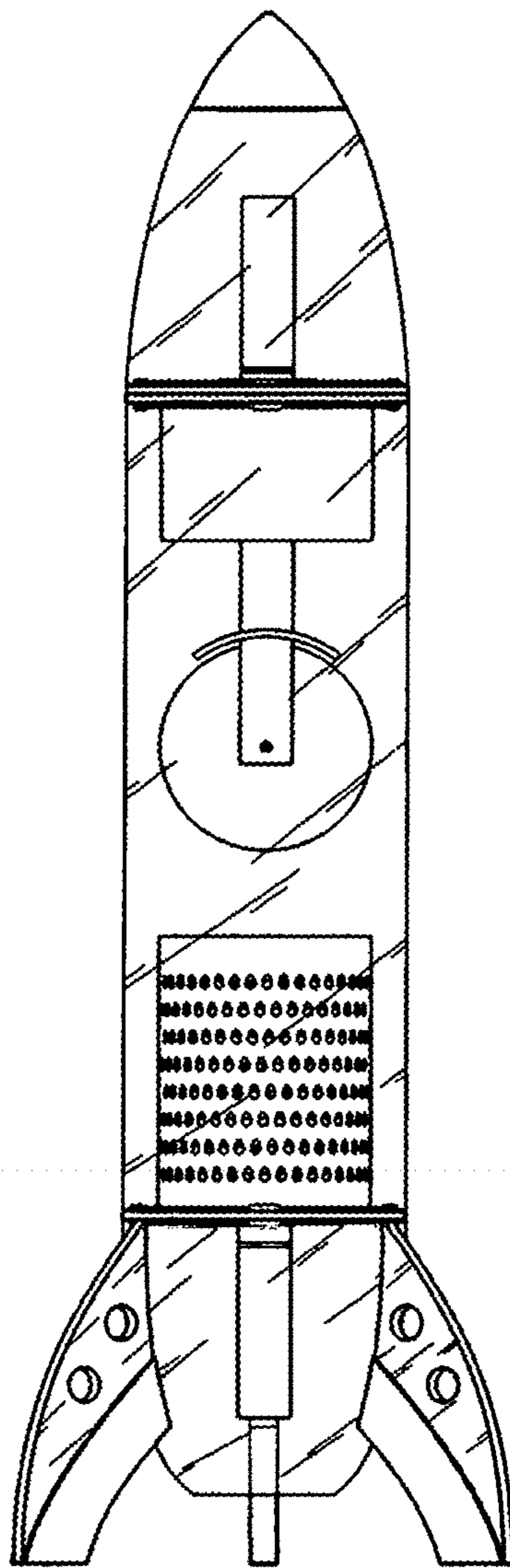


Fig. 3

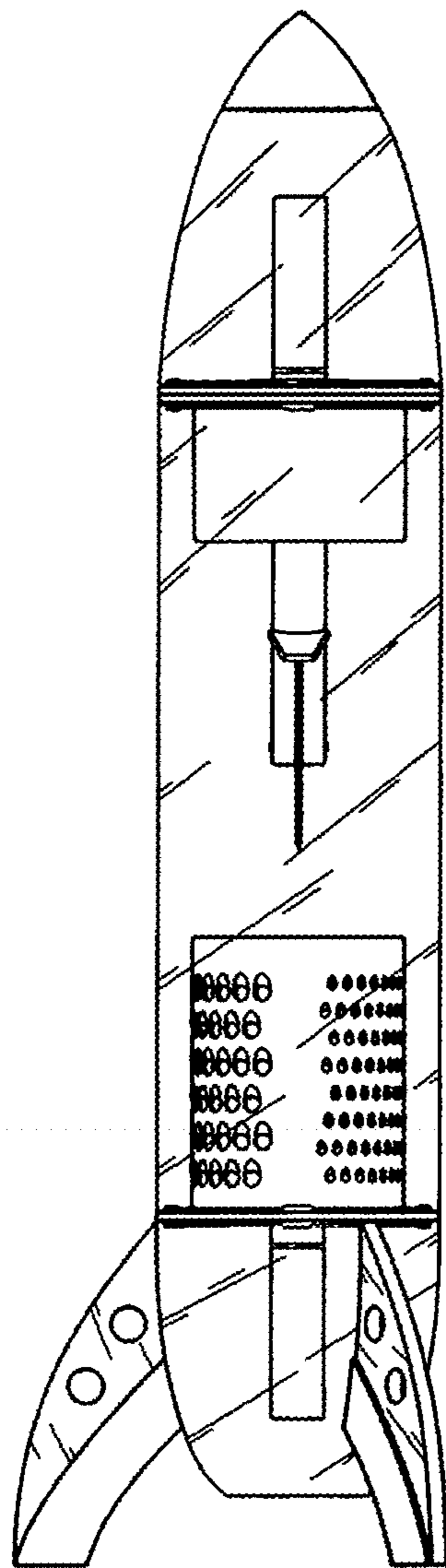


Fig. 4

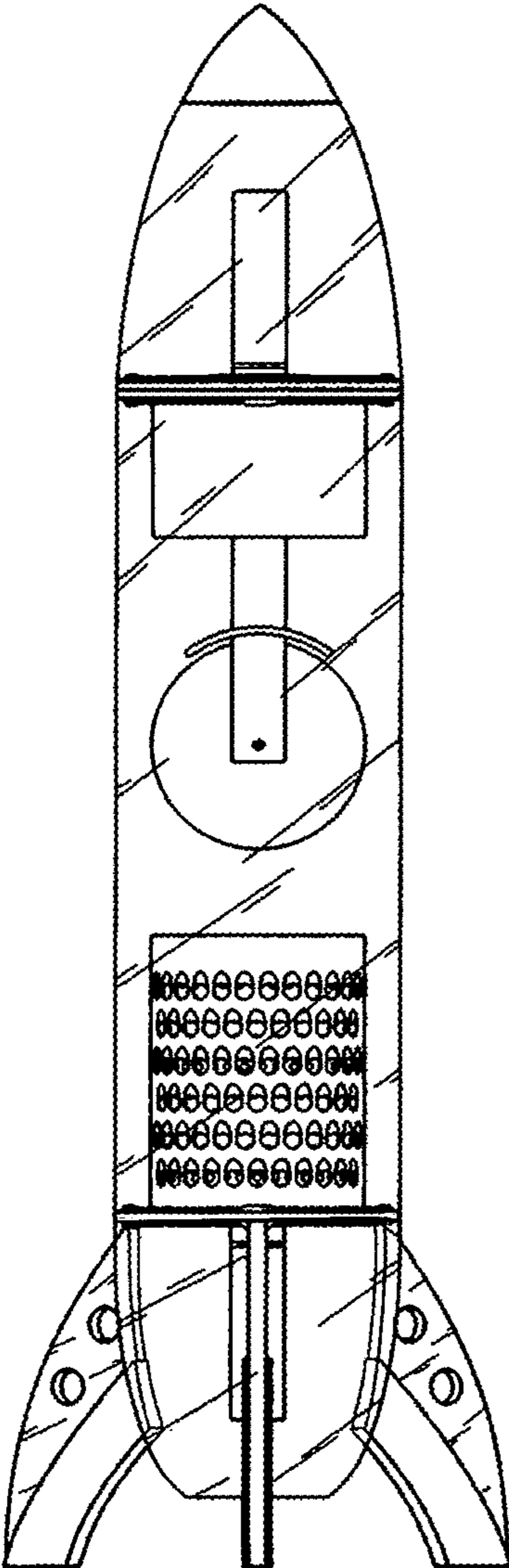


Fig. 5

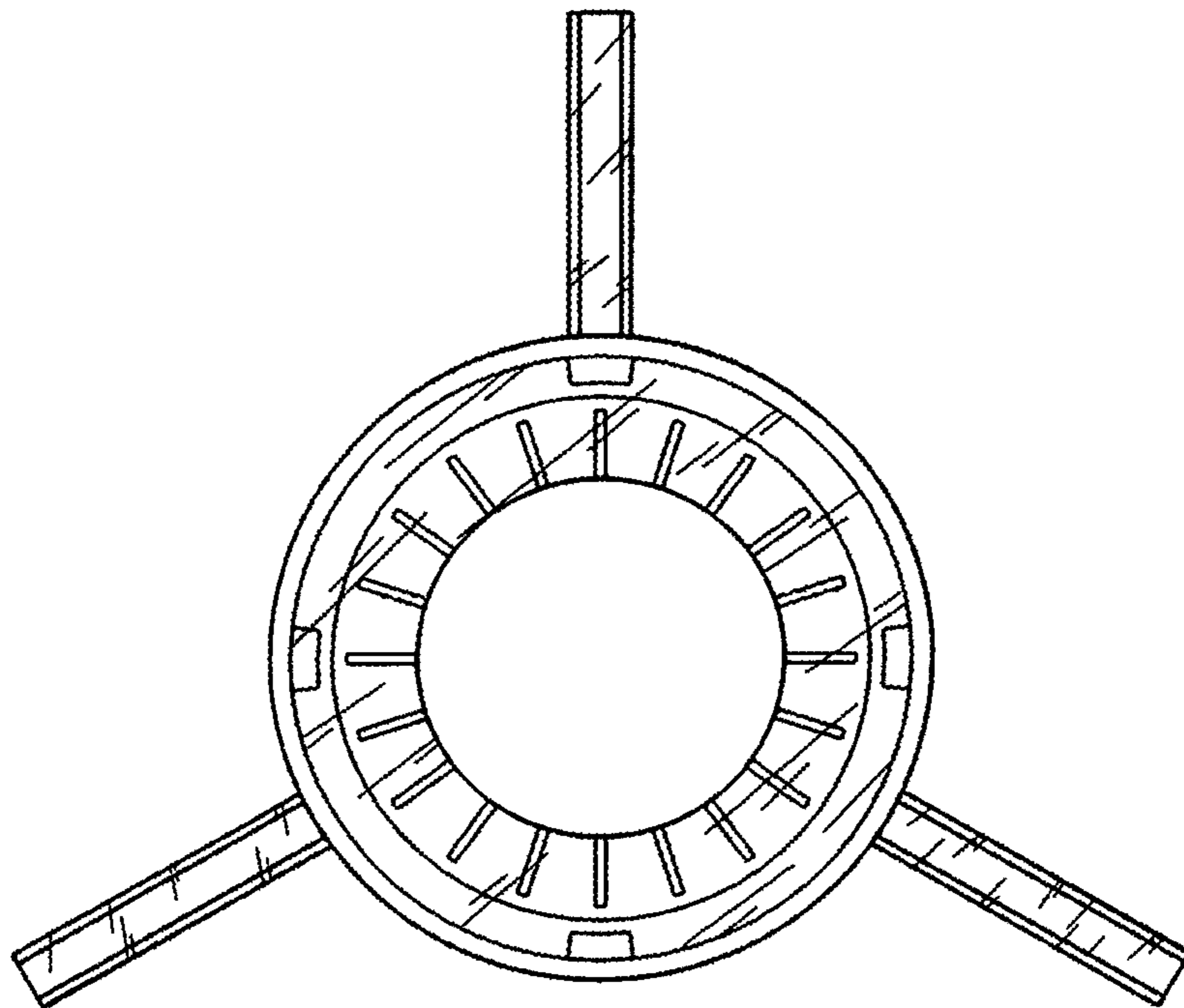


Fig. 6

