



US00D792746S

(12) **United States Design Patent** (10) **Patent No.:** **US D792,746 S**  
**Zannoni** (45) **Date of Patent:** **\*\* Jul. 25, 2017**

(54) **PORTABLE HOLDER**

(71) Applicant: **William J Zannoni**, Dracut, MA (US)

(72) Inventor: **William J Zannoni**, Dracut, MA (US)

(\*\*) Term: **14 Years**

(21) Appl. No.: **29/511,384**

(22) Filed: **Dec. 10, 2014**

(51) **LOC (10) Cl.** ..... **07-06**

(52) **U.S. Cl.**  
USPC ..... **D7/619.1**

(58) **Field of Classification Search**  
USPC ..... D7/619.1, 620, 621; 222/162;  
220/100.5; 211/71, 74, 75; 348/311.2,  
348/313  
CPC ..... B67D 7/84  
See application file for complete search history.

(56) **References Cited**

**U.S. PATENT DOCUMENTS**

- 3,224,644 A \* 12/1965 Davis ..... B65D 83/267  
222/162
- D226,623 S \* 4/1973 Shuford ..... 220/741
- D271,073 S \* 10/1983 Field ..... D7/621
- D288,054 S \* 2/1987 Schulte ..... D12/411
- D320,536 S \* 10/1991 Silbernagel ..... D7/619.1
- 8,322,667 B2 12/2012 Zannoni

**OTHER PUBLICATIONS**

Sports drink holder; www.moetivated.com.  
Sports drink holder; www.mydugoutbuddy.com.  
Sports drink holder; Amazon.

\* cited by examiner

*Primary Examiner* — Susan Bennett Hattan

*Assistant Examiner* — S. Bryan Reinholdt, Jr.

(74) *Attorney, Agent, or Firm* — George W Neuner

(57) **CLAIM**

The ornamental design for the portable holder, as shown and described.

**DESCRIPTION**

FIG. 1 is a perspective view of the present invention, where the dashed lines indicate that the top portion of the article can have any shape that has a width greater than the bottom portion of the article shown in solid lines.

FIG. 2 is front elevational view of the article of FIG. 1.

FIG. 3 is a side view of the article of FIG. 1.

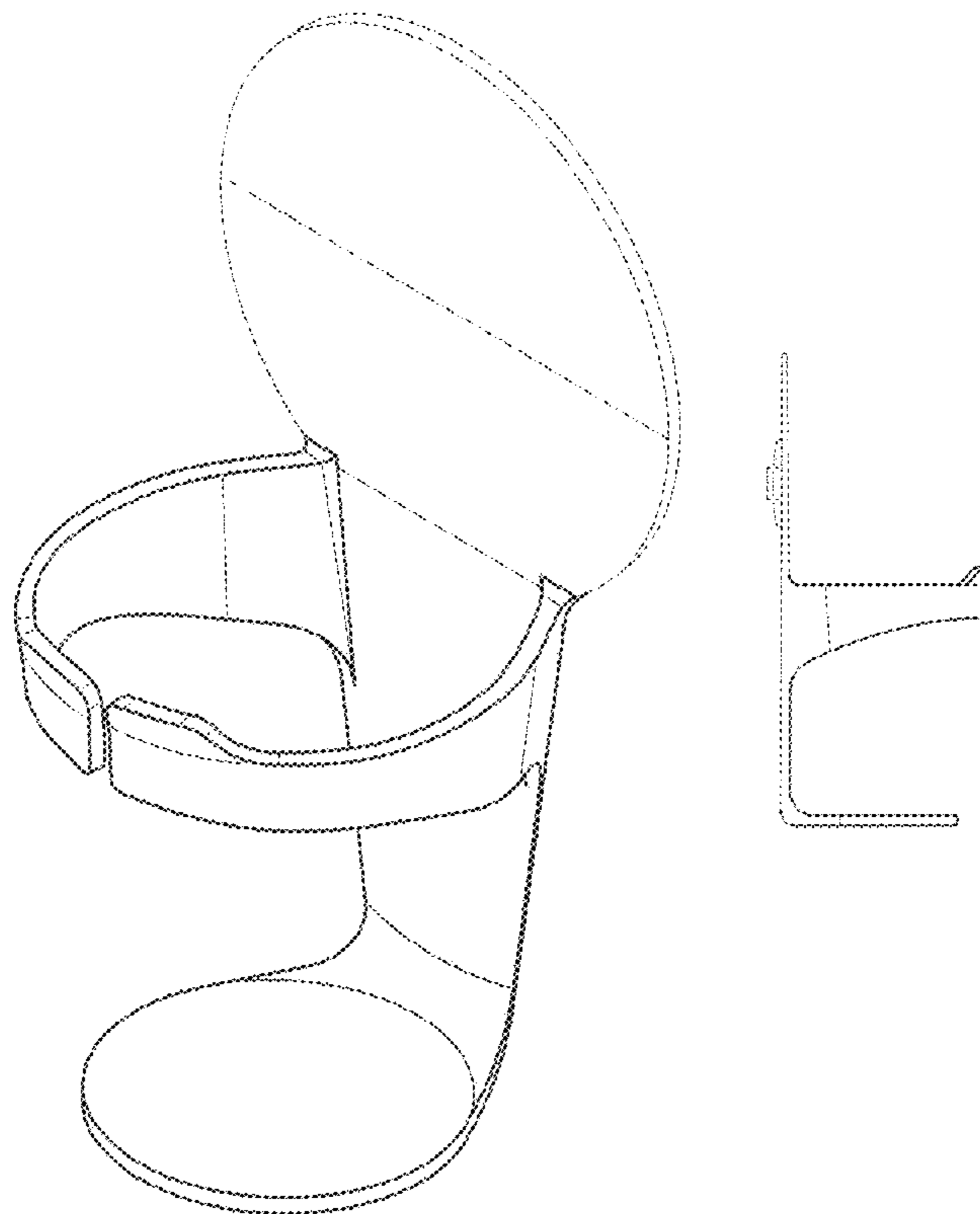
FIG. 4 is a top view of the article of FIG. 1; and,

FIG. 5 is a bottom view of the article of FIG. 1.

The dashed broken lines in the figures illustrate portions of the portable holder that form no part of the claimed design.

The article as described is a portable holder for cups, bottles, and the like that can be hung on a vertical structure, such as a fence or wall.

**1 Claim, 2 Drawing Sheets**



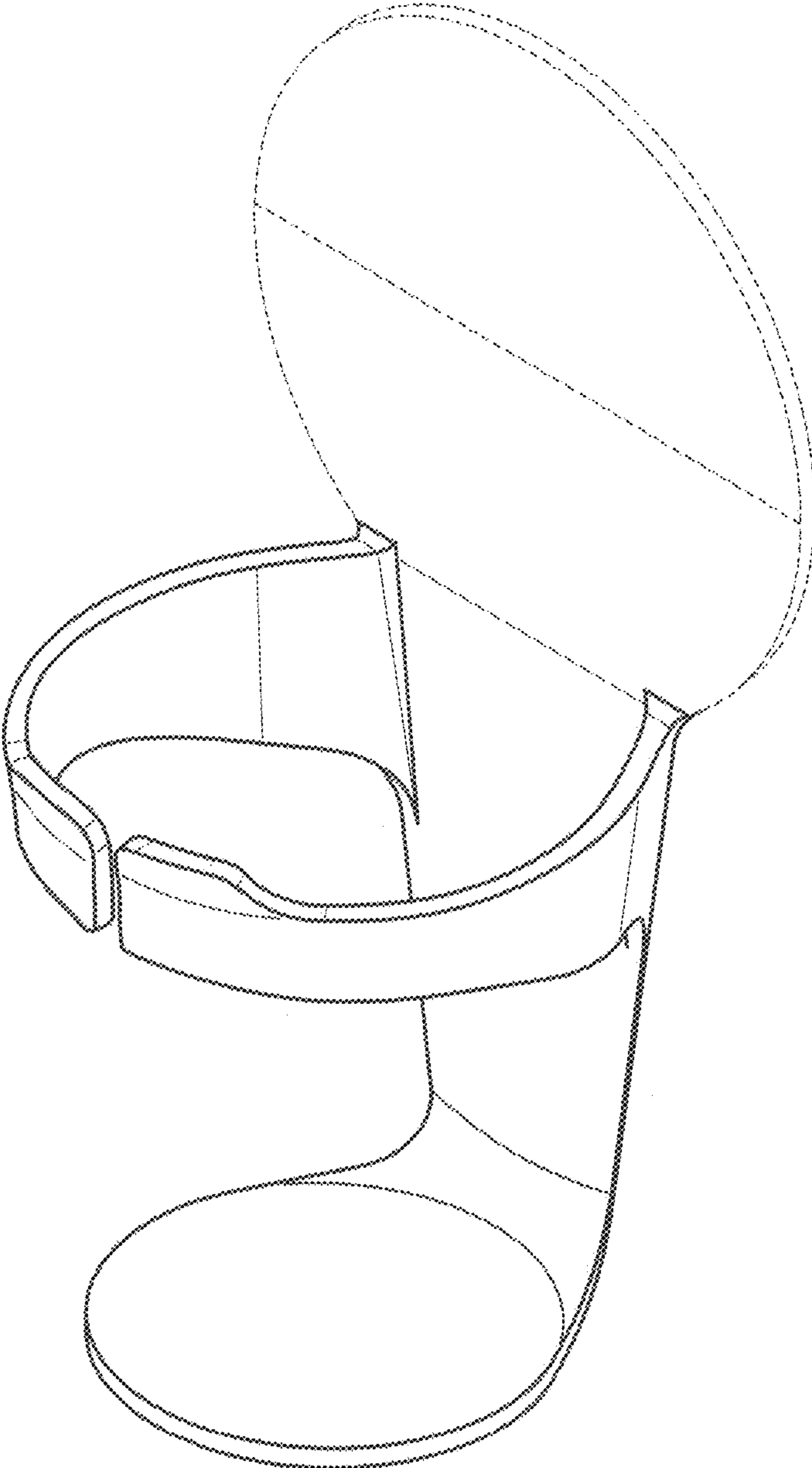


FIG. 1

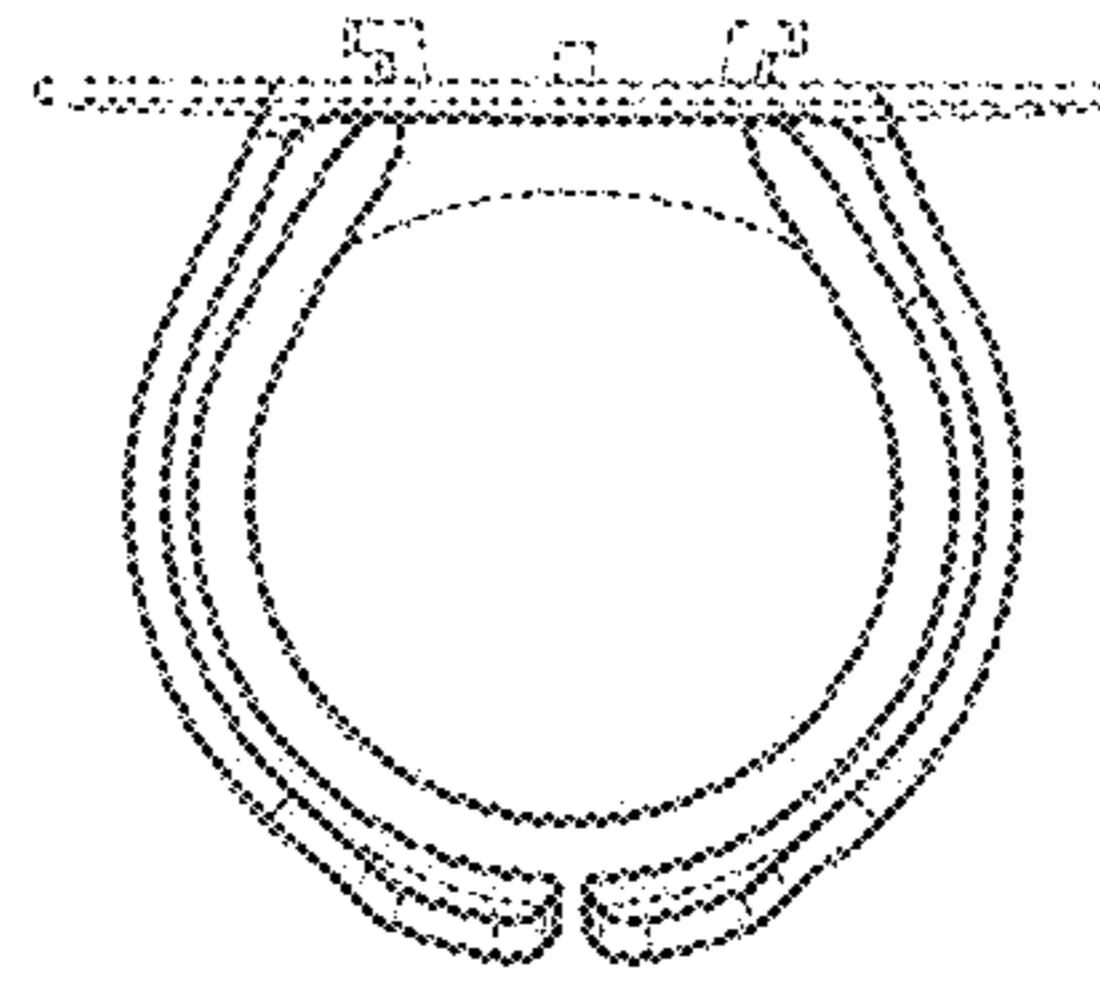


FIG. 4

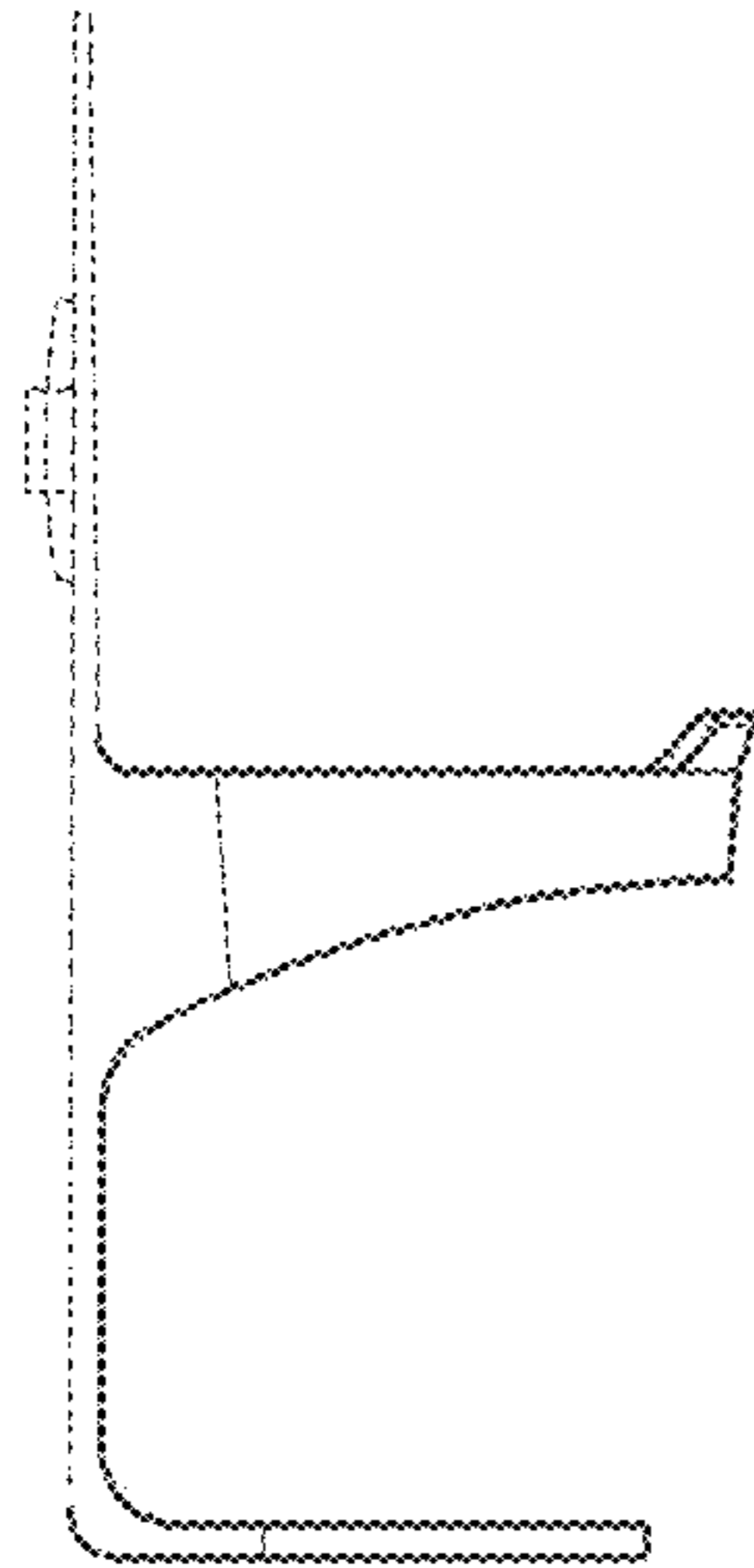


FIG. 3

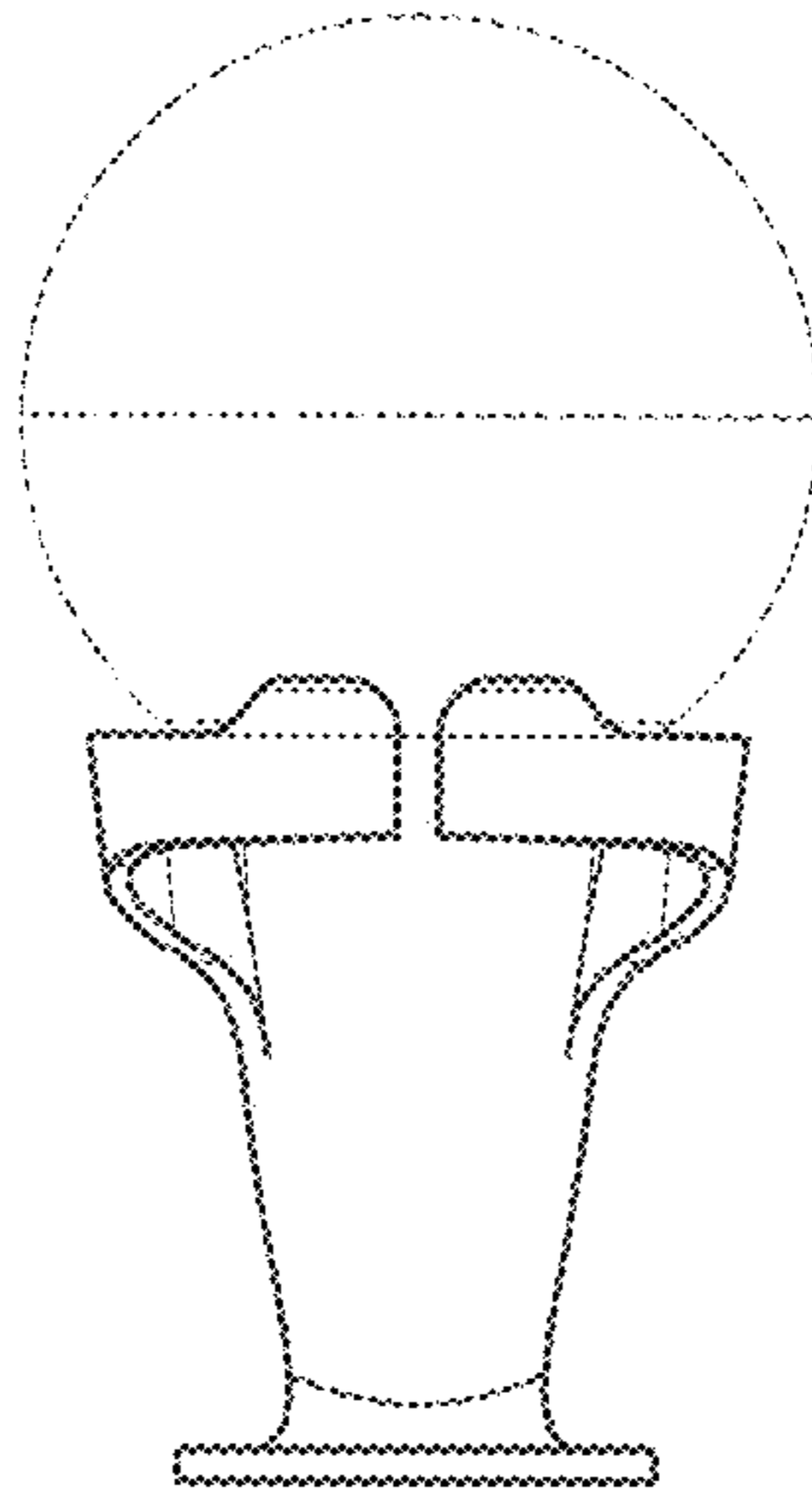


FIG. 2

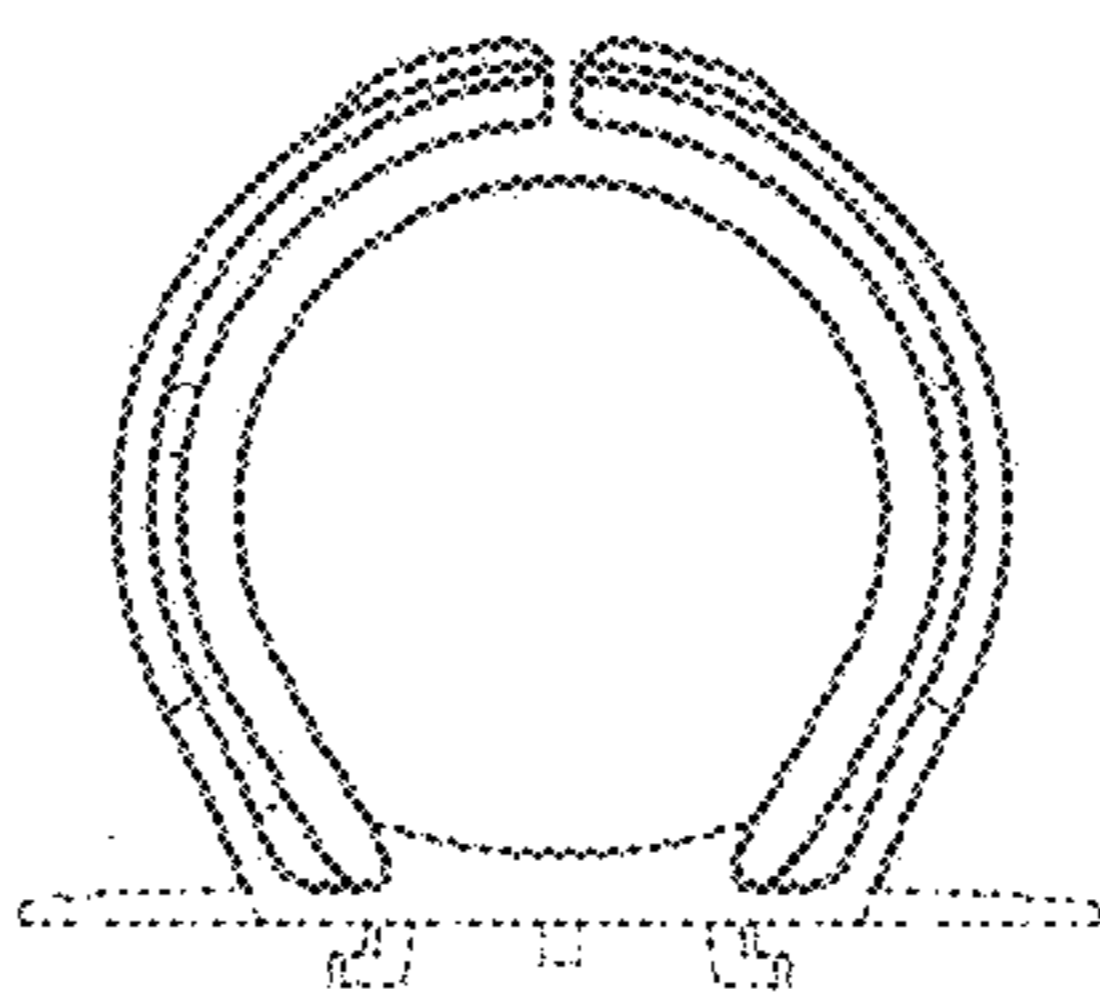


FIG. 5