



US00D792744S

(12) **United States Design Patent**
Wu

(10) **Patent No.:** **US D792,744 S**

(45) **Date of Patent:** **** Jul. 25, 2017**

(54) **QUADRATE DISH**

(71) Applicant: **Jingdong Wu**, Taishan (CN)

(72) Inventor: **Jingdong Wu**, Taishan (CN)

(**) Term: **15 Years**

(21) Appl. No.: **29/565,737**

(22) Filed: **May 24, 2016**

(51) **LOC (10) Cl.** **07-01**

(52) **U.S. Cl.**
USPC **D7/587**

(58) **Field of Classification Search**
USPC D7/584, 500, 570, 566, 565, 557, 552.2,
D7/503, 538, 543, 553.6, 586, 587;
D3/306; 217/122; 147/18; 220/23.83,
220/574.1, 574
CPC A47G 19/02; A47G 19/025; A47J 43/18
See application file for complete search history.

D490,643 S *	6/2004	Groll	D7/354
D511,437 S *	11/2005	Brown	D7/566
D517,366 S *	3/2006	Oztiryaki	D7/354
D543,787 S *	6/2007	Wasserman	D7/565
D549,040 S *	8/2007	Henry	D7/354
D551,492 S *	9/2007	Schuler	D7/354
D609,531 S *	2/2010	Koennecke	D7/584
D635,399 S *	4/2011	DelVecchio	D7/509
D669,313 S *	10/2012	Paladino	D7/602
D676,704 S *	2/2013	Henry	D7/354
D699,078 S *	2/2014	Katterheinrich	D7/587
D724,897 S *	3/2015	Gieske	D7/523
8,997,992 B2 *	4/2015	Van Puijenbroek	B65D 1/22 206/223
D738,159 S *	9/2015	Cheng	D7/354
D739,295 S *	9/2015	Thuma	D11/152
D742,697 S *	11/2015	Switz	D7/557
D749,365 S *	2/2016	Hume	D7/509
D750,436 S *	3/2016	Hopkins	D7/523

(Continued)

Primary Examiner — Cynthia Underwood
(74) *Attorney, Agent, or Firm* — Schmeiser, Olsen & Watts, LLP

(56) **References Cited**

U.S. PATENT DOCUMENTS

D213,491 S *	3/1969	Beeman	220/DIG. 13
D213,492 S *	3/1969	Beeman	220/DIG. 13
D221,169 S *	7/1971	Benes	D7/584
D232,612 S *	9/1974	Christian et al.	220/574
4,351,997 A *	9/1982	Mattisson	B65D 81/3453 219/729
RE32,270 E *	10/1986	Murray, Jr.	B32B 27/10 156/221
5,094,706 A *	3/1992	Howe	A47J 36/04 156/214
5,172,826 A *	12/1992	Celaya	A47G 19/02 220/574
D355,735 S *	2/1995	Shaffer	D32/53
5,501,038 A *	3/1996	Gregoranto	A01G 9/124 47/47
D475,246 S *	6/2003	Jørgensen	D7/545
D485,126 S *	1/2004	Watson	D7/584

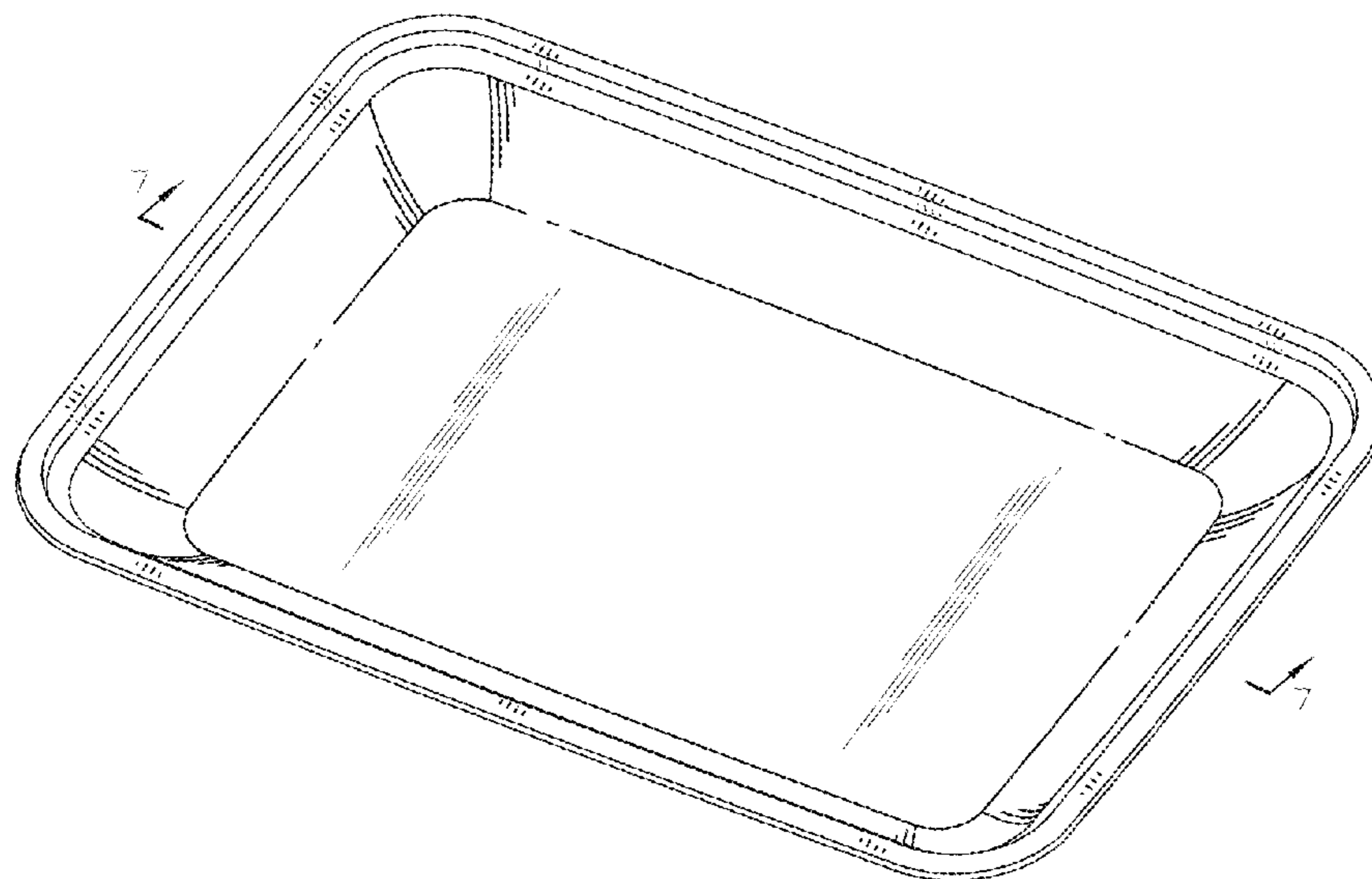
(57) **CLAIM**

The ornamental design for a quadrate dish, as shown and described.

DESCRIPTION

FIG. 1 is a top front perspective view of a quadrate dish showing my new design;
FIG. 2 is a top view thereof;
FIG. 3 is a bottom view thereof;
FIG. 4 is a front view thereof, the rear view being the same;
FIG. 5 is a side view thereof, the other side view being the same;
FIG. 6 is a bottom front perspective view thereof; and,
FIG. 7 is a cross-sectional view of the quadrate dish taken along line 7-7 of FIG. 1.

1 Claim, 7 Drawing Sheets



(56)

References Cited

U.S. PATENT DOCUMENTS

D761,061	S	*	7/2016	McConnell	D7/587
D762,083	S	*	7/2016	Librus	D7/354
D765,471	S	*	9/2016	Gorbald	D7/509
9,474,397	B2	*	10/2016	Minnette	A47G 19/02
D770,231	S	*	11/2016	Hume	D7/523
D770,233	S	*	11/2016	Raphael	D7/584
D780,572	S	*	3/2017	Zhang	D9/425
2014/0025508	A1	*	1/2014	Bartosch	B65D 25/04 705/14.69

* cited by examiner

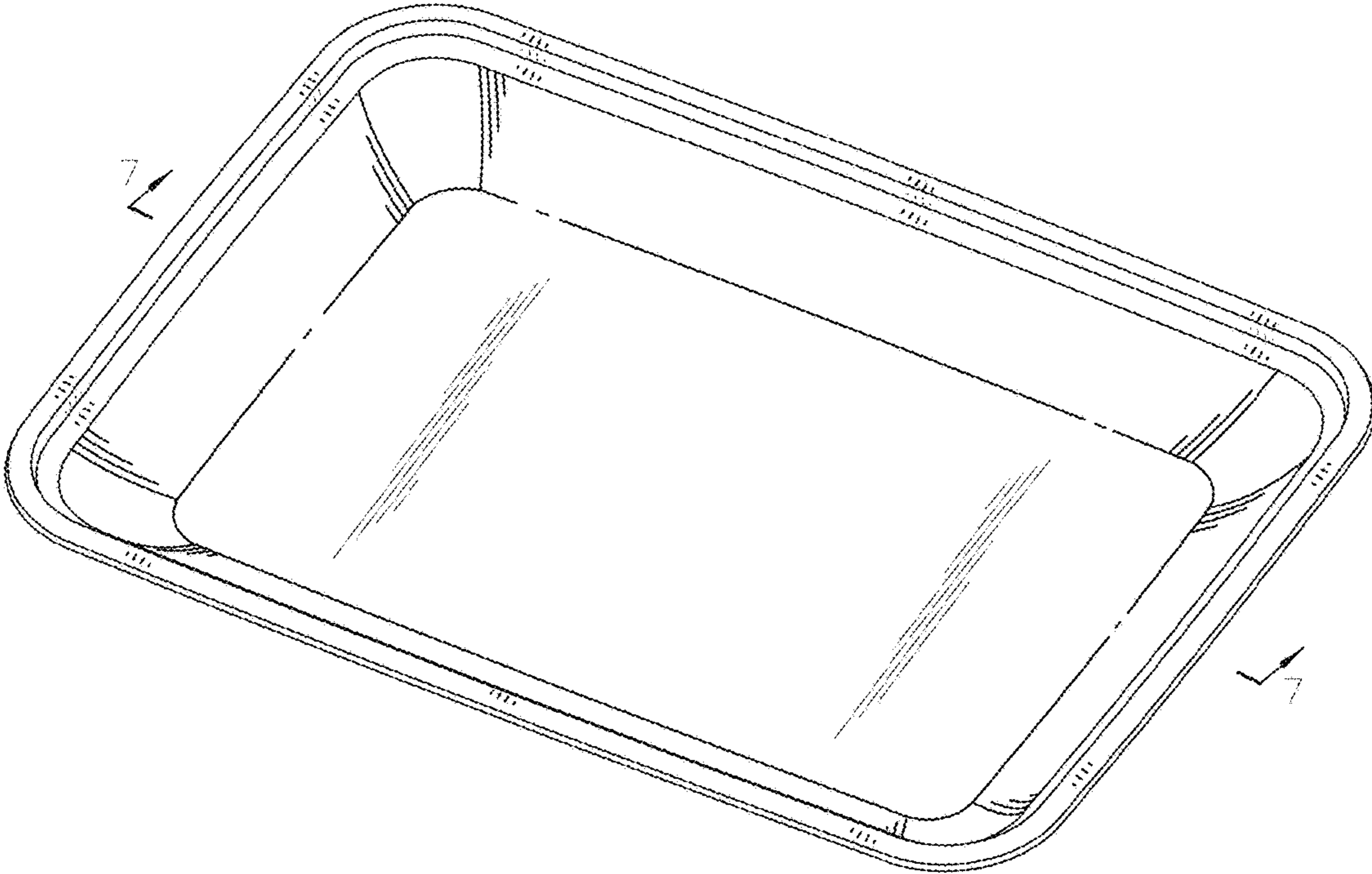


FIG. 1

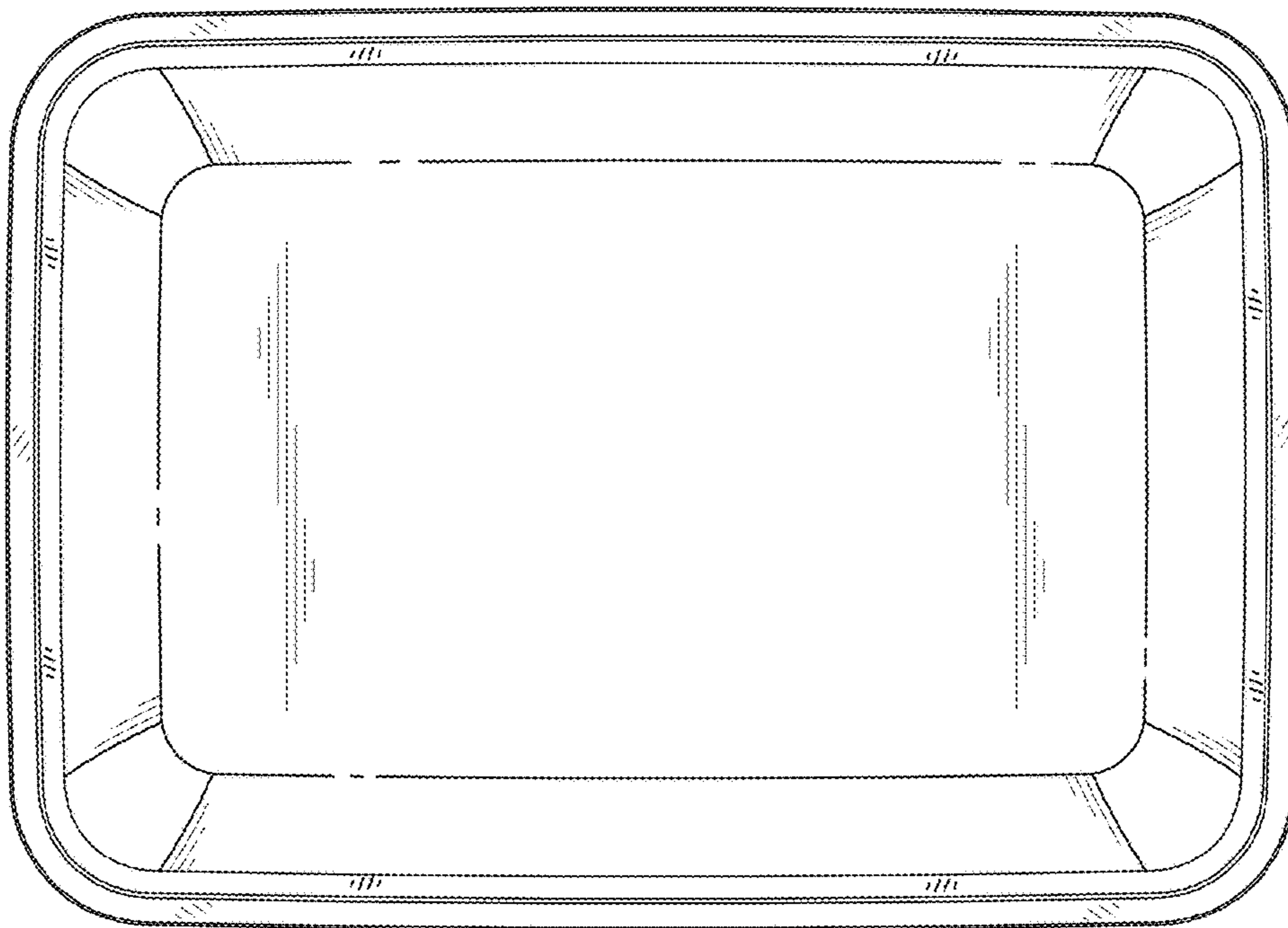


FIG. 2

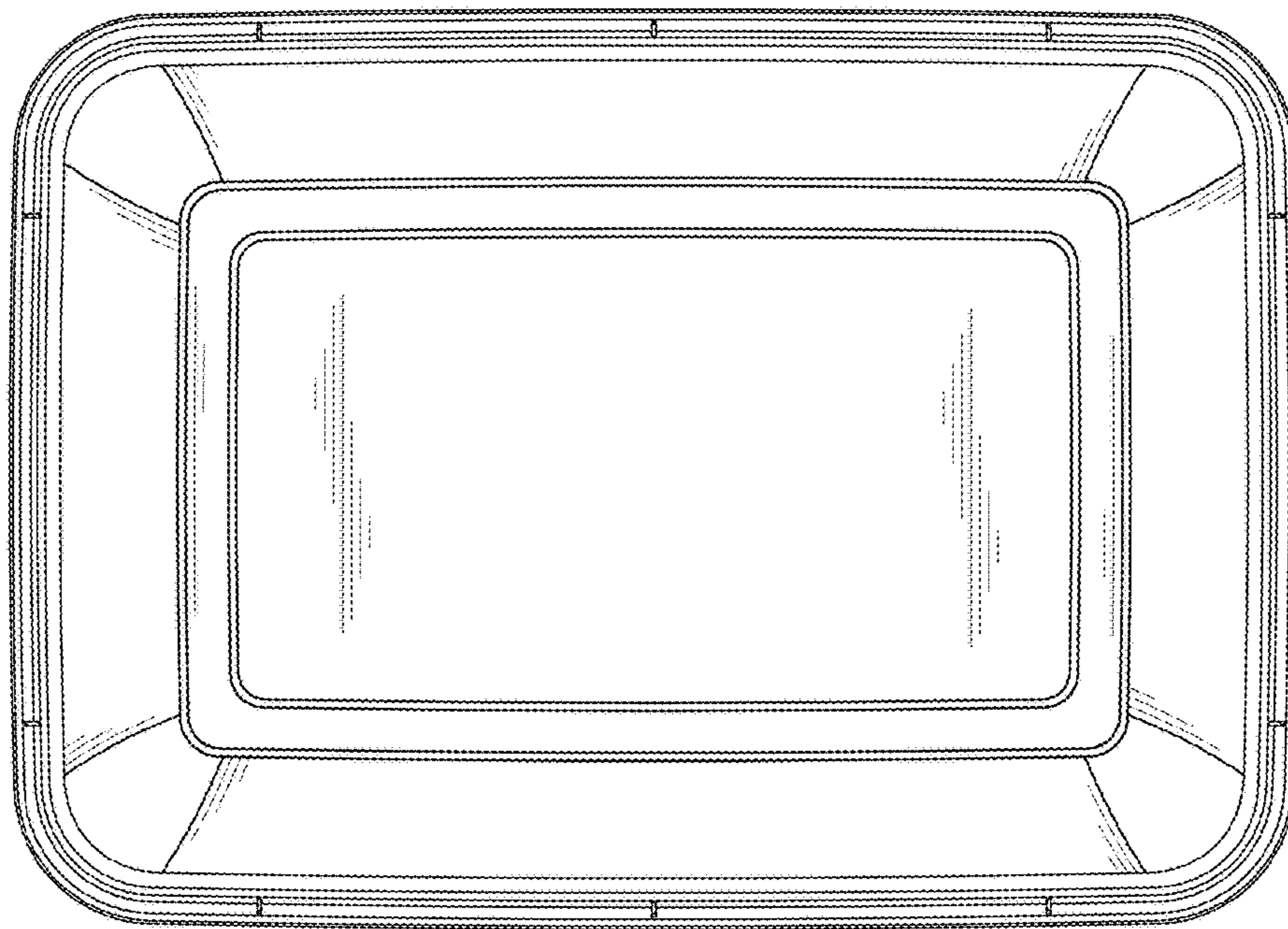


FIG. 3

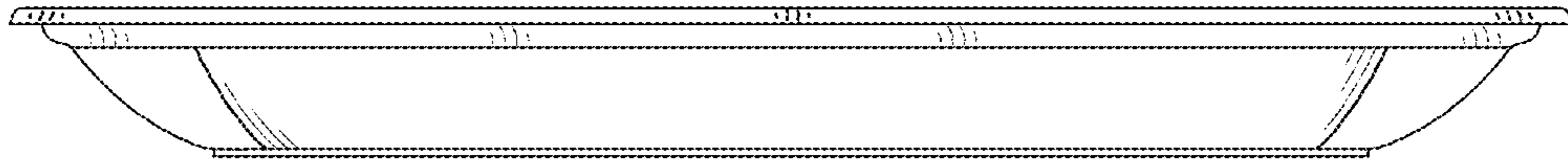


FIG. 4

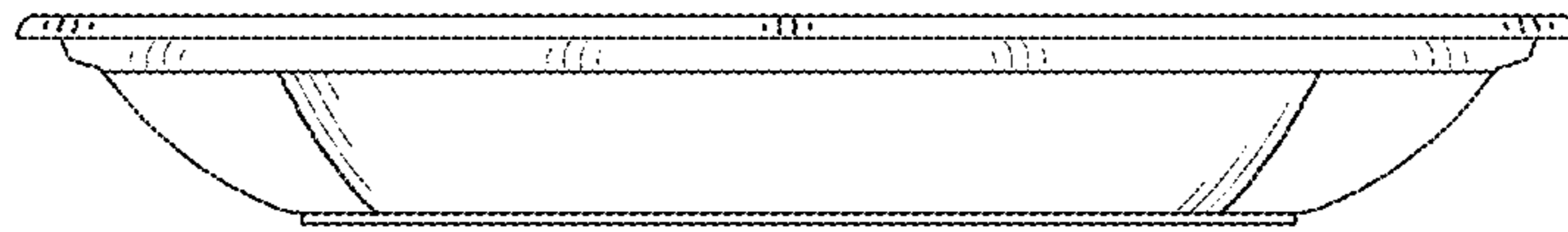


FIG. 5

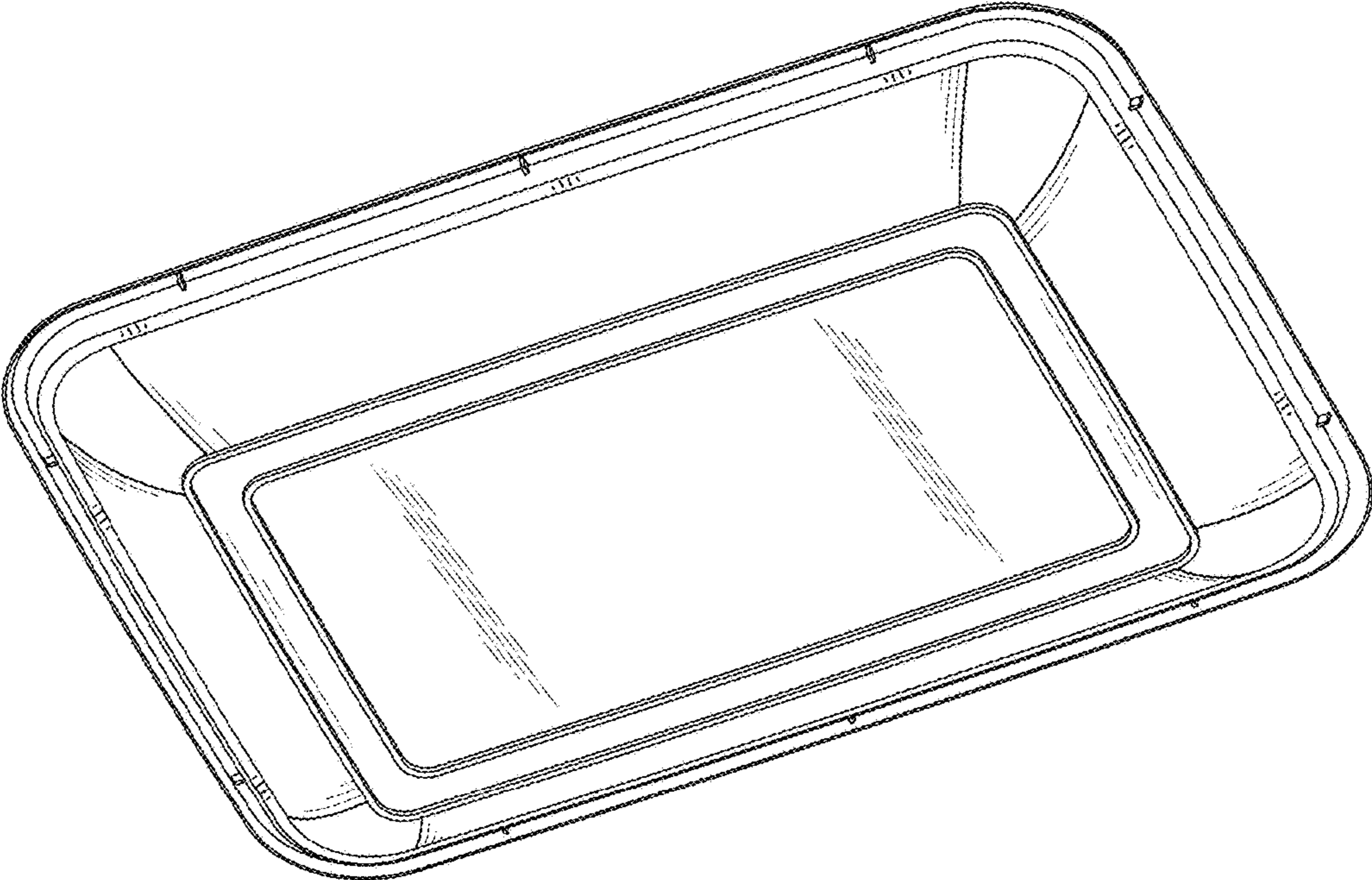


FIG. 6

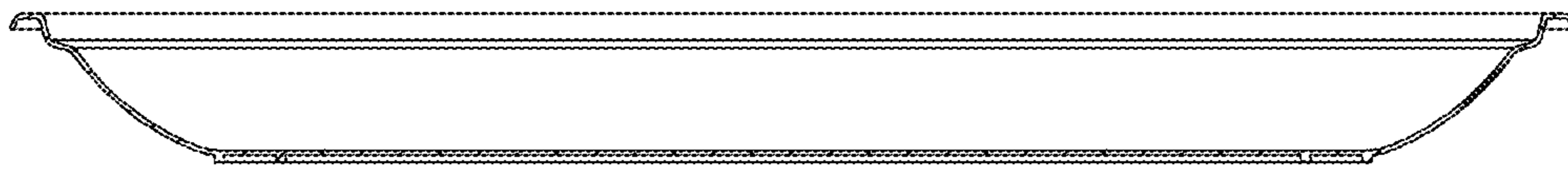


FIG. 7