



US00D792741S

(12) **United States Design Patent**
Chung

(10) **Patent No.:** **US D792,741 S**
(45) **Date of Patent:** **** Jul. 25, 2017**

- (54) **BURNER OF GAS GRILL**
- (71) Applicant: **Shu-Jui Chung**, Taichung (TW)
- (72) Inventor: **Shu-Jui Chung**, Taichung (TW)
- (**) Term: **15 Years**
- (21) Appl. No.: **29/529,535**
- (22) Filed: **Jun. 8, 2015**
- (51) **LOC (10) Cl.** **07-02**
- (52) **U.S. Cl.**
USPC **D7/407**
- (58) **Field of Classification Search**
USPC D7/402-404, 407-409, 332-337,
D7/362-367; D23/386, 415-419
CPC A47J 37/0713; A47J 37/041; A47J 37/042;
A47J 37/043; F23D 14/10; F23D 14/045;
F23D 2203/1012; F23D 2900/00017;
F24C 3/14; F24C 1/16; F24C 5/20
See application file for complete search history.

- 2008/0081308 A1* 4/2008 Witzel F23D 14/62
431/354
- 2009/0205631 A1* 8/2009 Tsung F23D 14/045
126/39 E
- 2009/0250048 A1* 10/2009 Educate A47J 37/0713
126/25 R
- 2009/0314278 A1* 12/2009 Bruno A47J 37/0713
126/41 R
- 2010/0154775 A1* 6/2010 Robinson F23D 14/06
126/39 E
- 2010/0326417 A1* 12/2010 Groth A47J 37/0713
126/25 R
- 2013/0220302 A1* 8/2013 Han F23D 14/10
126/39 E
- 2014/0196712 A1* 7/2014 Cadima F24C 3/087
126/41 R
- 2014/0196713 A1* 7/2014 Cadima F23D 14/045
126/41 R
- 2014/0199647 A1* 7/2014 Cadima F23D 14/10
431/353
- 2014/0251302 A1* 9/2014 Ahmed A47J 37/0713
126/25 R

(Continued)

Primary Examiner — Sheryl Lane
Assistant Examiner — Nicole Shiflet

(56) **References Cited**

U.S. PATENT DOCUMENTS

- 3,386,431 A * 6/1968 Branson F23D 14/04
126/39 C
- 4,951,880 A * 8/1990 Riehl F23D 14/10
239/568
- D375,020 S * 10/1996 Cothorn D7/402
- 5,782,230 A * 7/1998 Linnebur A47J 37/0713
126/38
- 6,102,029 A * 8/2000 Stephen A47J 37/0713
126/41 R
- 6,200,131 B1 * 3/2001 Birch F23C 5/02
239/450
- D754,475 S * 4/2016 Pontano D7/402
- 2003/0213484 A1 * 11/2003 Alden A47J 37/0713
126/41 R
- 2008/0053429 A1 * 3/2008 Pezzutti F23D 14/06
126/39 E

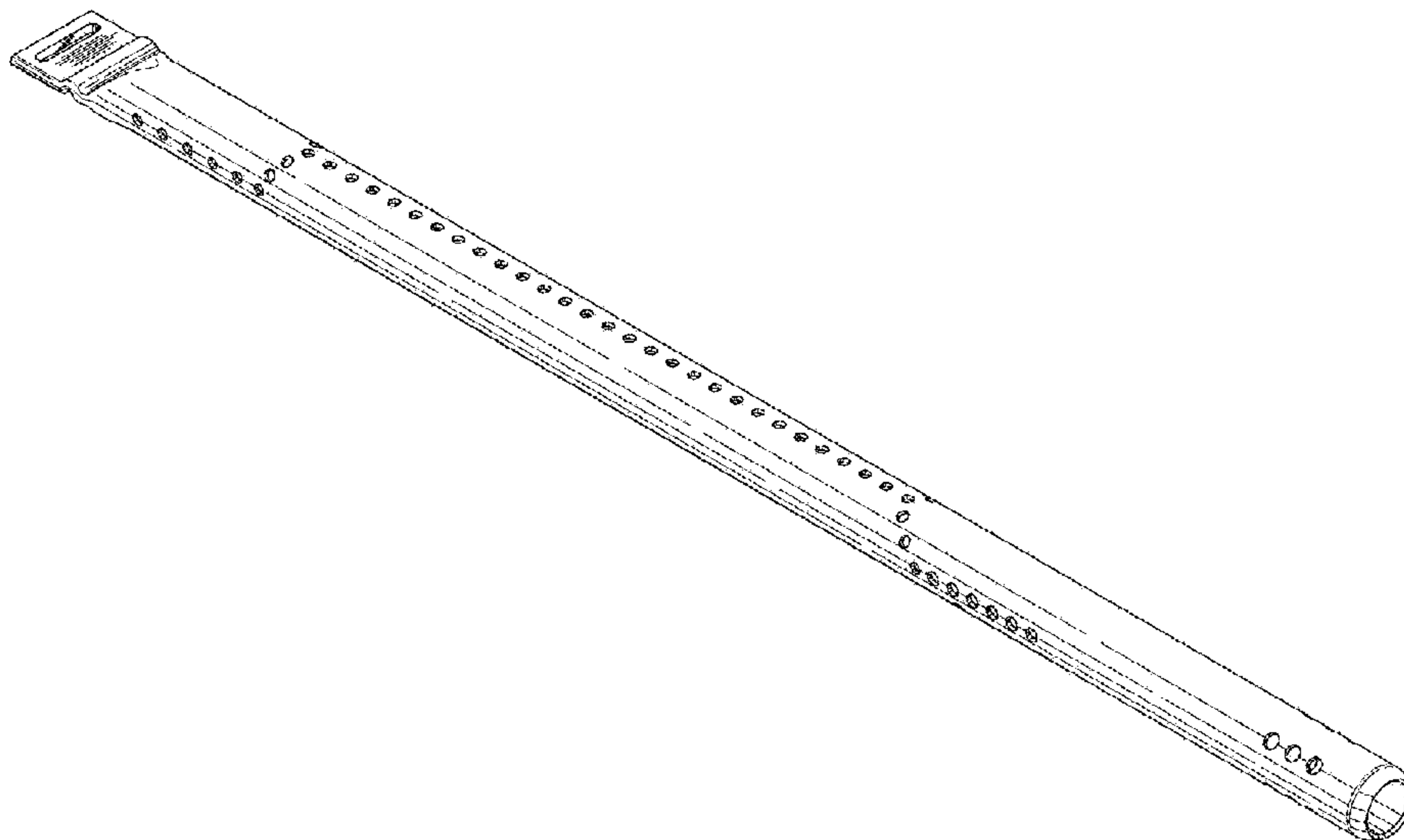
(57) **CLAIM**

The ornamental design for a burner of gas grill, as shown and described.

DESCRIPTION

FIG. 1 is a perspective view of a burner of gas grill showing my new design;
FIG. 2 is a front view of the burner shown in FIG. 1;
FIG. 3 is a rear view of the burner shown in FIG. 1;
FIG. 4 is a left side view of the burner shown in FIG. 1,
FIG. 5 is a right side view of the burner shown in FIG. 1;
FIG. 6 is a top view of the burner shown in FIG. 1; and,
FIG. 7 is a bottom view of the burner shown in FIG. 1.

1 Claim, 6 Drawing Sheets



(56)

References Cited

U.S. PATENT DOCUMENTS

2016/0069564 A1* 3/2016 Ahmed F23D 14/10
126/39 E
2016/0370012 A1* 12/2016 Chung F24C 3/08

* cited by examiner

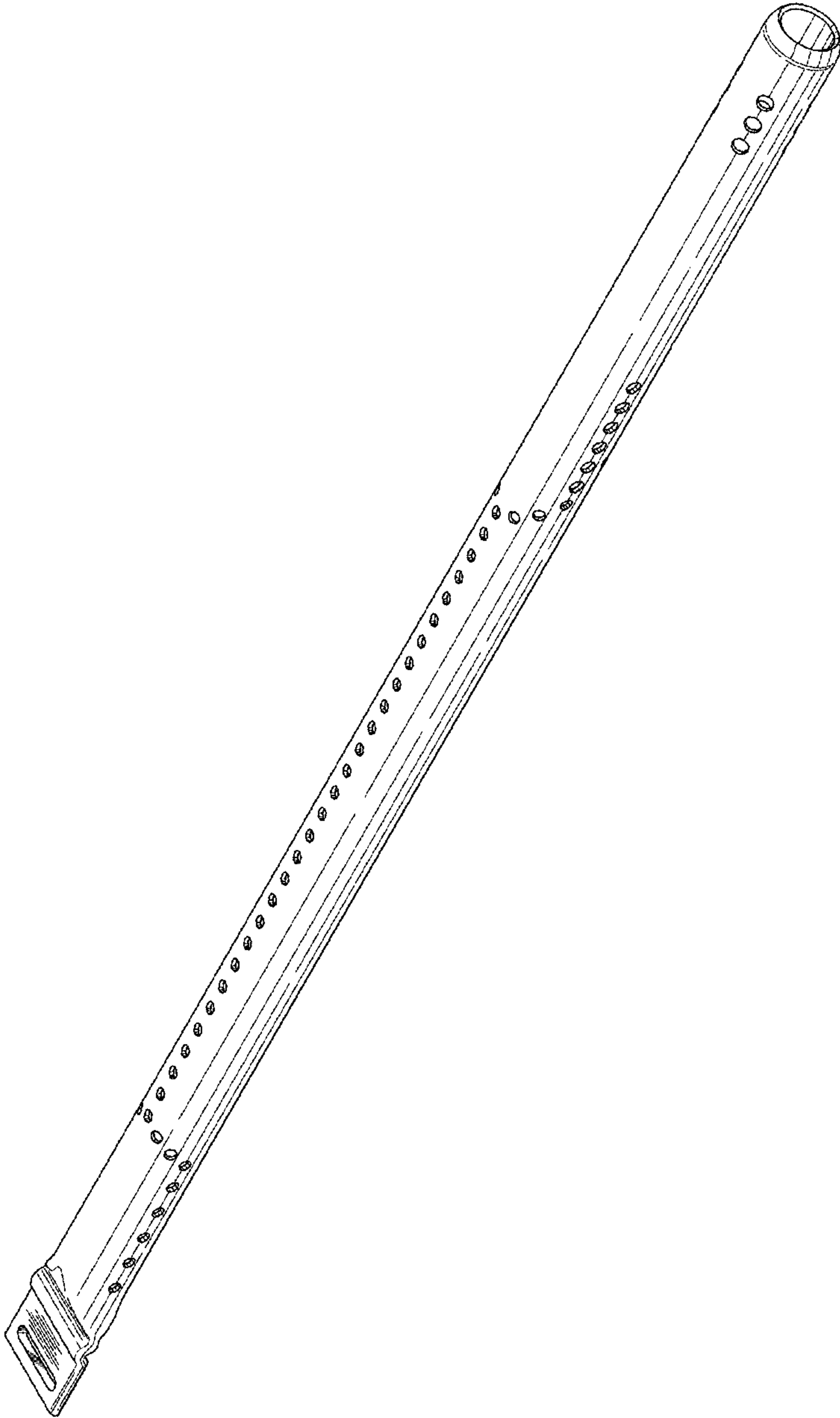


FIG. 1



FIG. 2

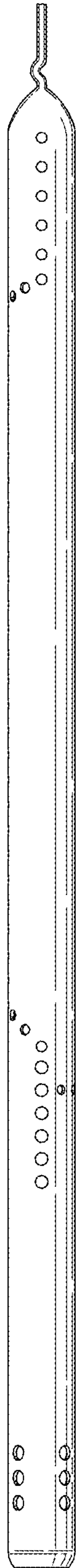


FIG. 3

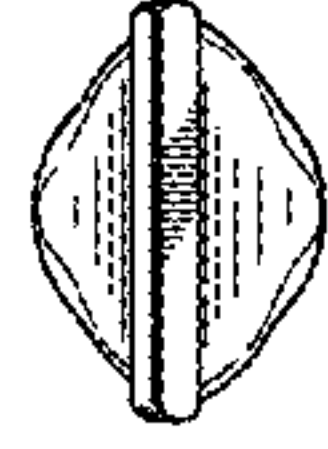


FIG. 4

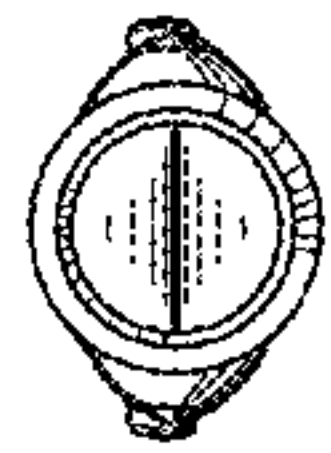


FIG. 5

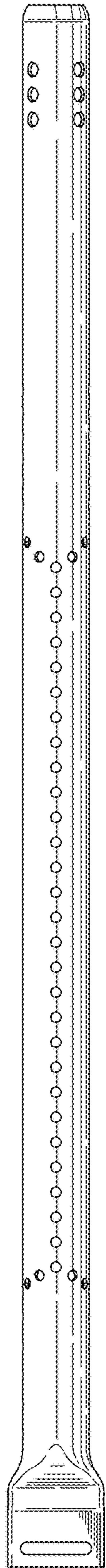


FIG. 6

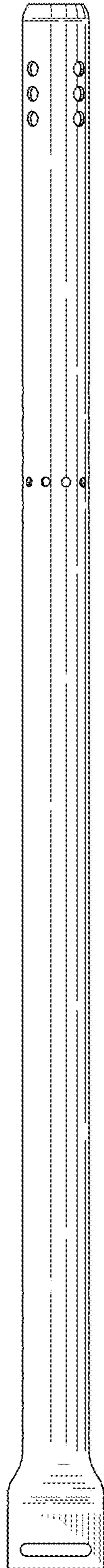


FIG. 7