

US00D792739S

(12) **United States Design Patent**
Palermo et al.

(10) **Patent No.:** **US D792,739 S**
(45) **Date of Patent:** **** Jul. 25, 2017**

(54) **HOT BEVERAGE MAKER**

(71) Applicant: **Sunbeam Products, Inc.**, Boca Raton, FL (US)

(72) Inventors: **Joseph Palermo**, Boynton Beach, FL (US); **Jordan Nollan**, Cambridge, MA (US); **Benjamin Lenart**, Roxbury, MA (US)

(73) Assignee: **Sunbeam Products, Inc.**, Boca Raton, FL (US)

(**) Term: **15 Years**

(21) Appl. No.: **29/537,728**

(22) Filed: **Aug. 28, 2015**

(51) **LOC (10) Cl.** **07-99**

(52) **U.S. Cl.**
USPC **D7/397; D7/311; D7/306**

(58) **Field of Classification Search**
USPC D7/305-311, 313, 397, 399; D15/82;
222/129.1, 146.6, 153.03; 99/295;
D30/121, 132
CPC A47J 31/44; A47J 31/4403; A47J 31/46;
B67D 1/36; B67D 2210/0065; B67D
1/0864

See application file for complete search history.

(56) **References Cited**

U.S. PATENT DOCUMENTS

D408,206 S * 4/1999 Stafford D7/306
D489,217 S * 5/2004 Seum D7/309

D510,675 S * 10/2005 Ball D7/306
D545,110 S * 6/2007 Julemont D7/309
D553,416 S * 10/2007 Lin D7/306
D600,062 S * 9/2009 Lavy D7/309
D604,087 S * 11/2009 Lavy D7/309
D627,188 S * 11/2010 Picozza D7/306
D628,007 S * 11/2010 Di Bitonto D7/309
D658,423 S * 5/2012 Curtis D7/306
D735,527 S * 8/2015 Palermo D7/309
D760,529 S * 7/2016 Hakansson D7/306
D769,661 S * 10/2016 Palermo D7/306
D770,215 S * 11/2016 Vu D7/309
D775,887 S * 1/2017 Atkin D7/306

* cited by examiner

Primary Examiner — Marianne Pandozzi

(74) *Attorney, Agent, or Firm* — Michael J. Corrigan

(57) **CLAIM**

The ornamental design for the hot beverage maker, as shown and described.

DESCRIPTION

FIG. 1 is a front perspective view of a hot beverage maker showing my new design;
FIG. 2 is a front view thereof;
FIG. 3 is a rear view thereof;
FIG. 4 is a left side view thereof;
FIG. 5 is a right side view thereof; and,
FIG. 6 is a top plan view thereof.
The broken lines in the drawings depict portions of the hot beverage maker that form no part of the claimed design.

1 Claim, 3 Drawing Sheets

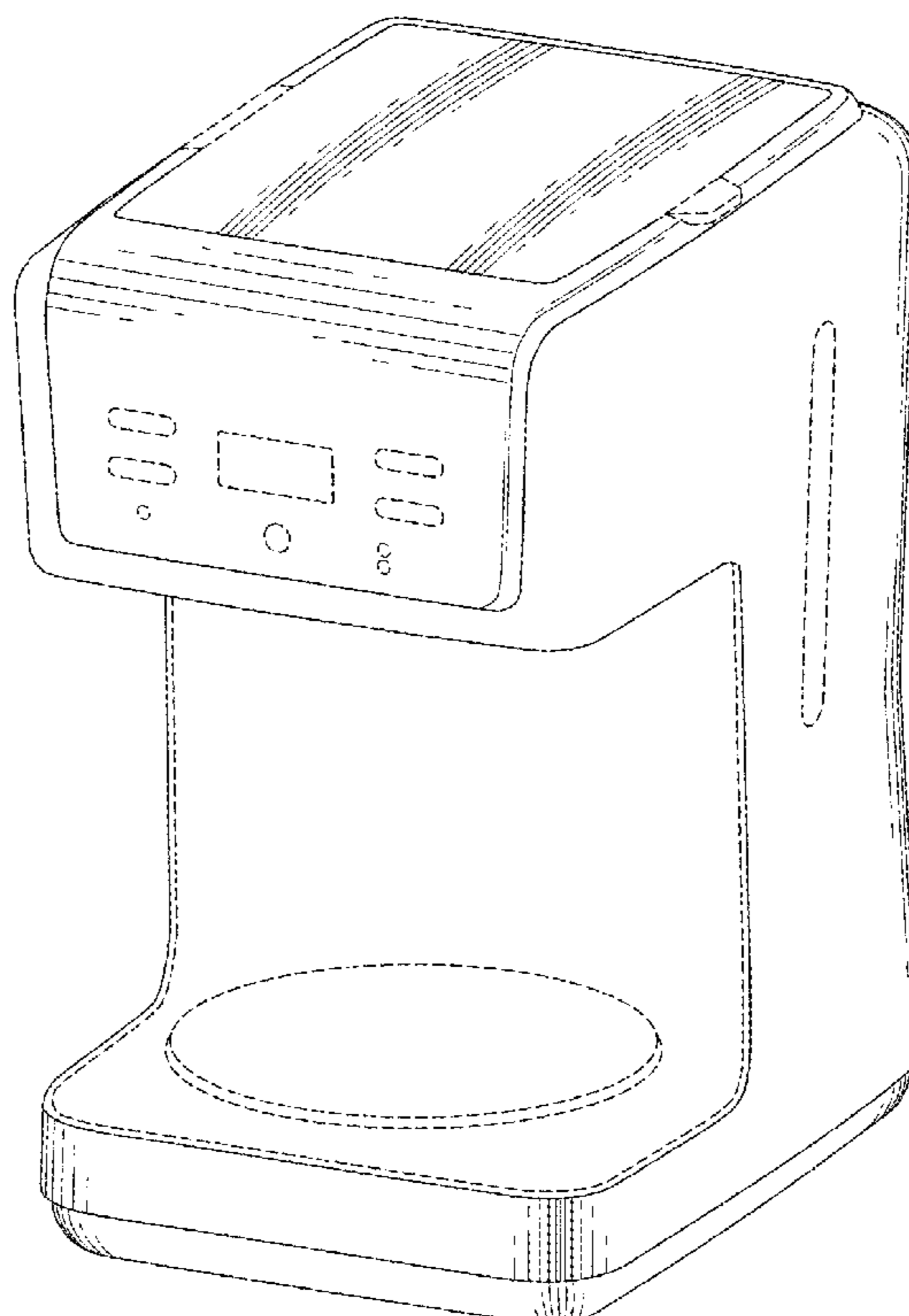


FIG. 1

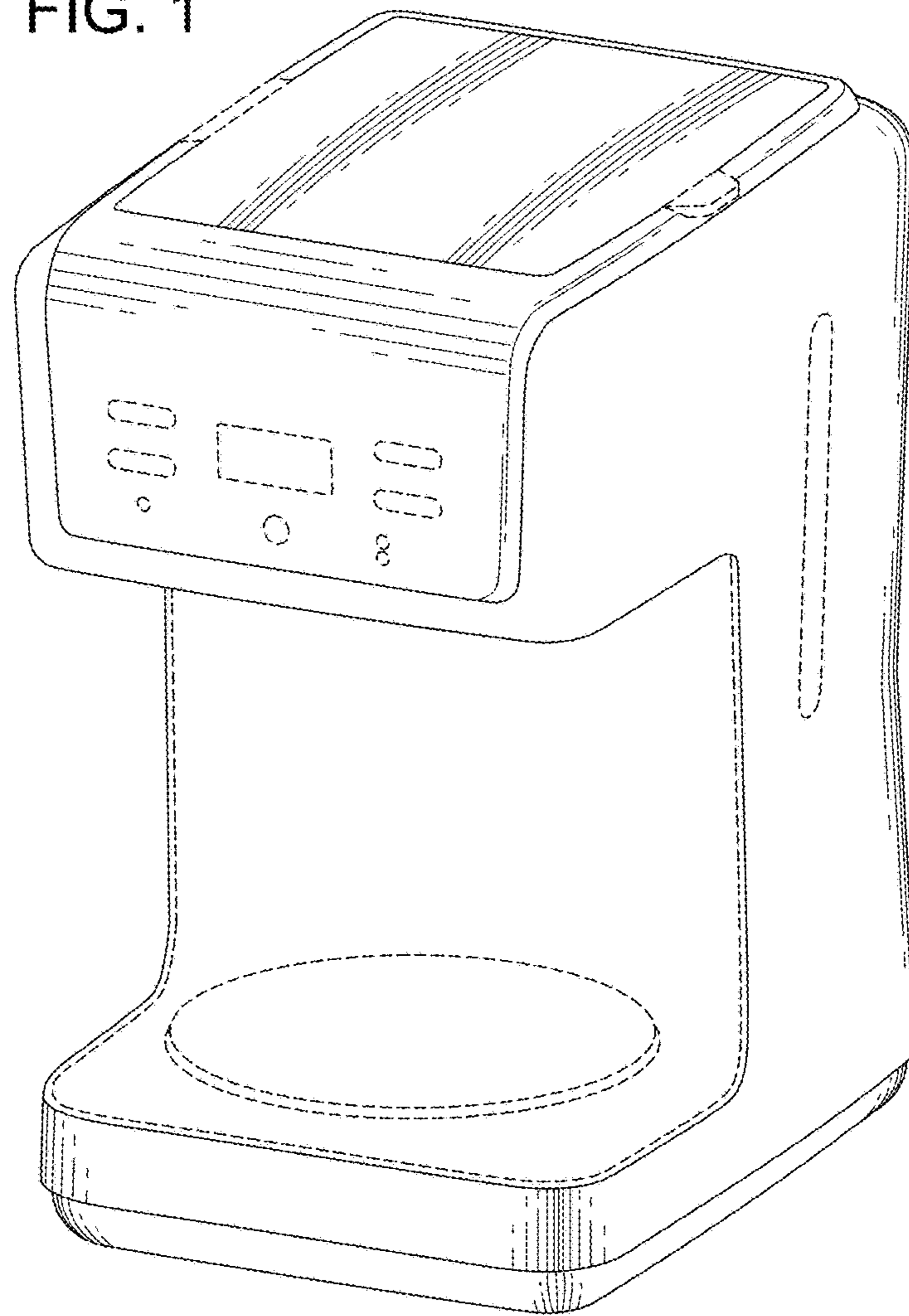


FIG. 6

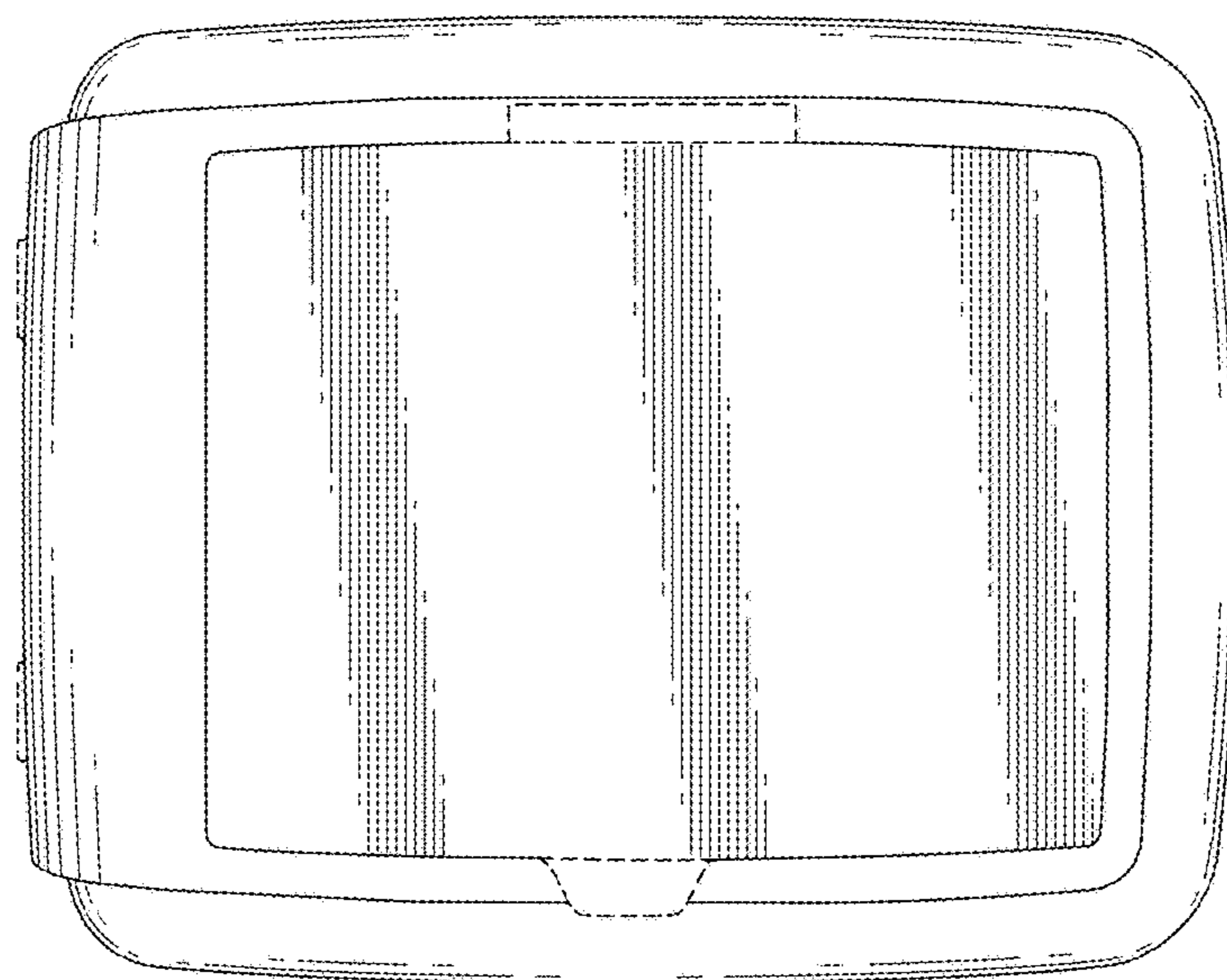


FIG. 3

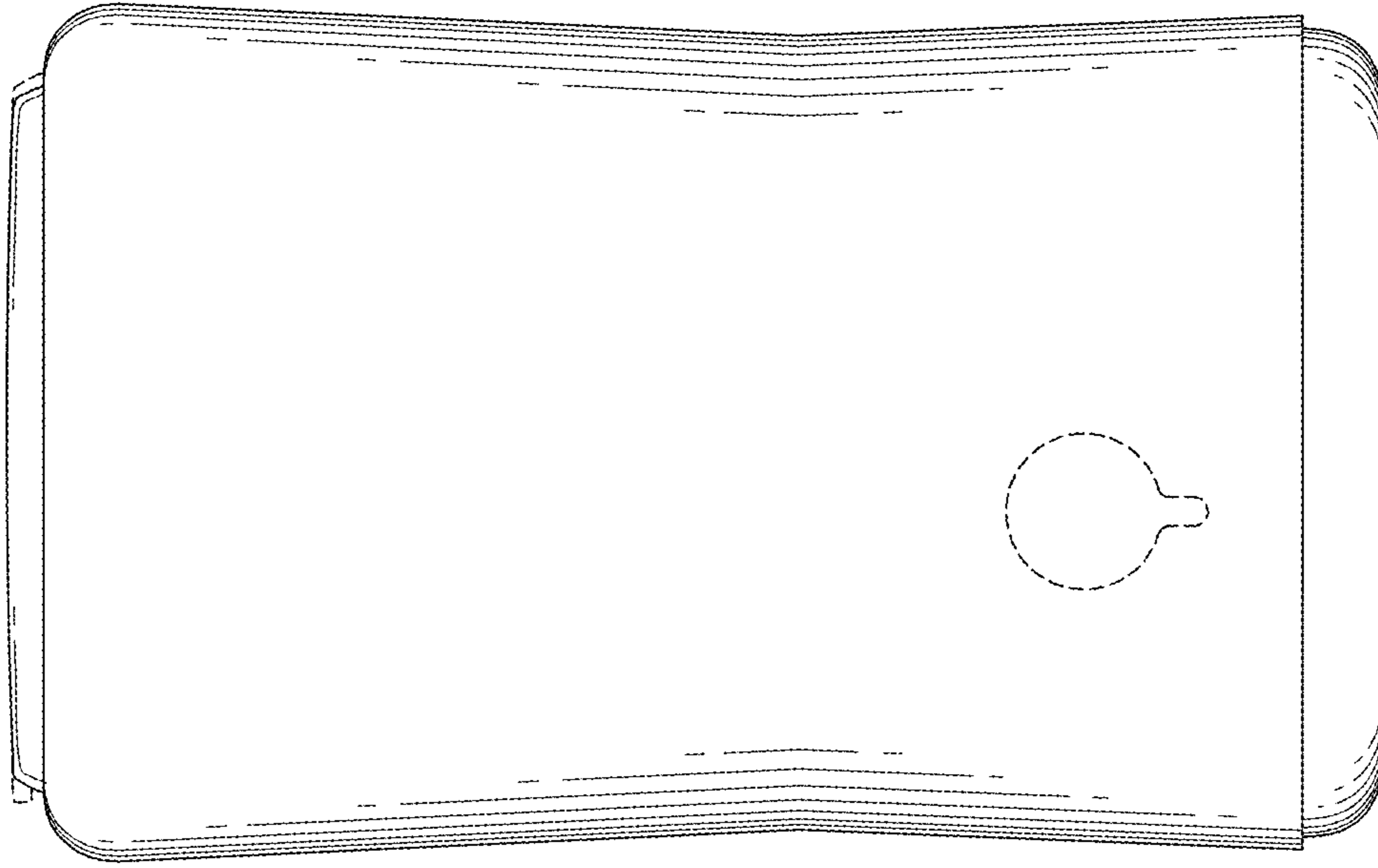


FIG. 2

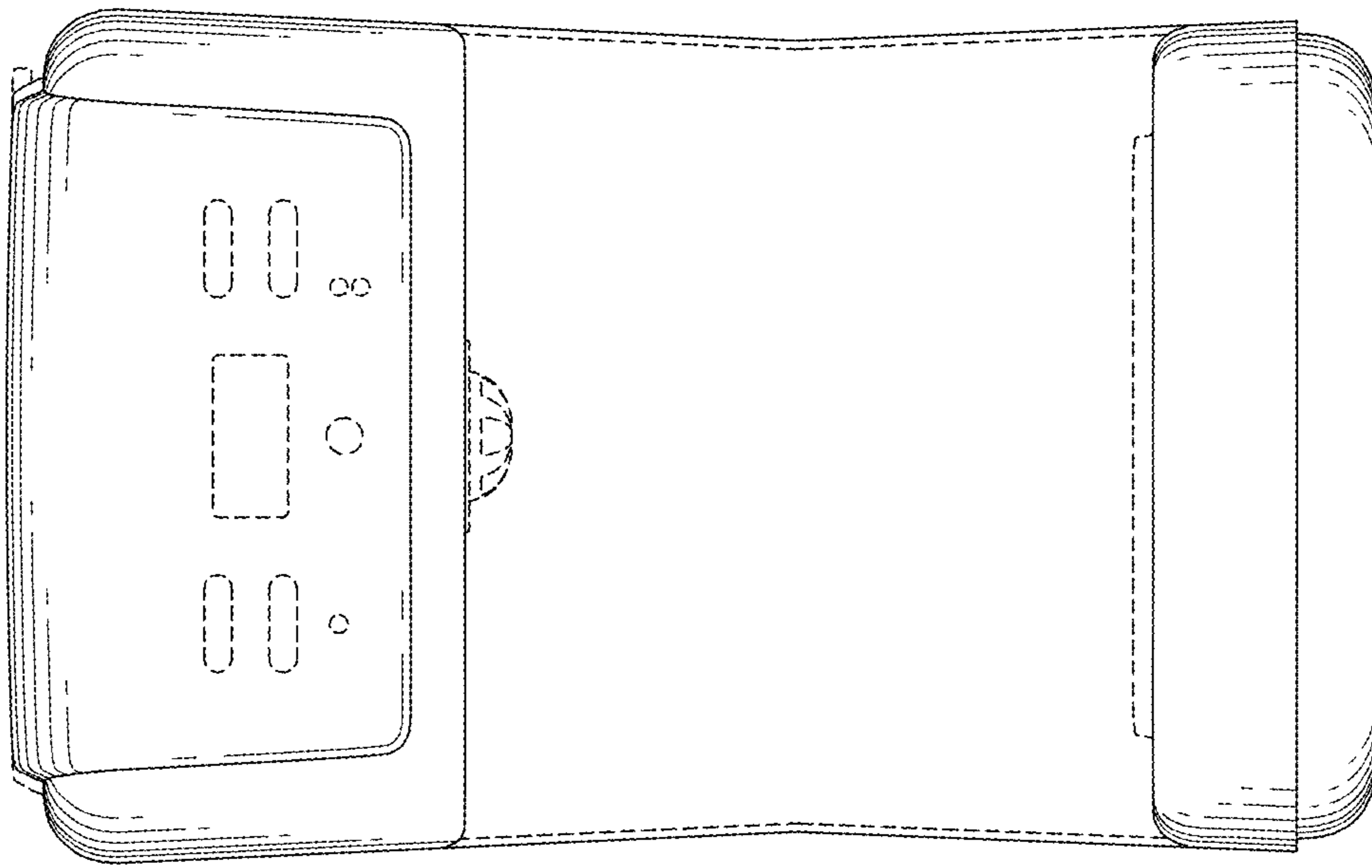


FIG. 5

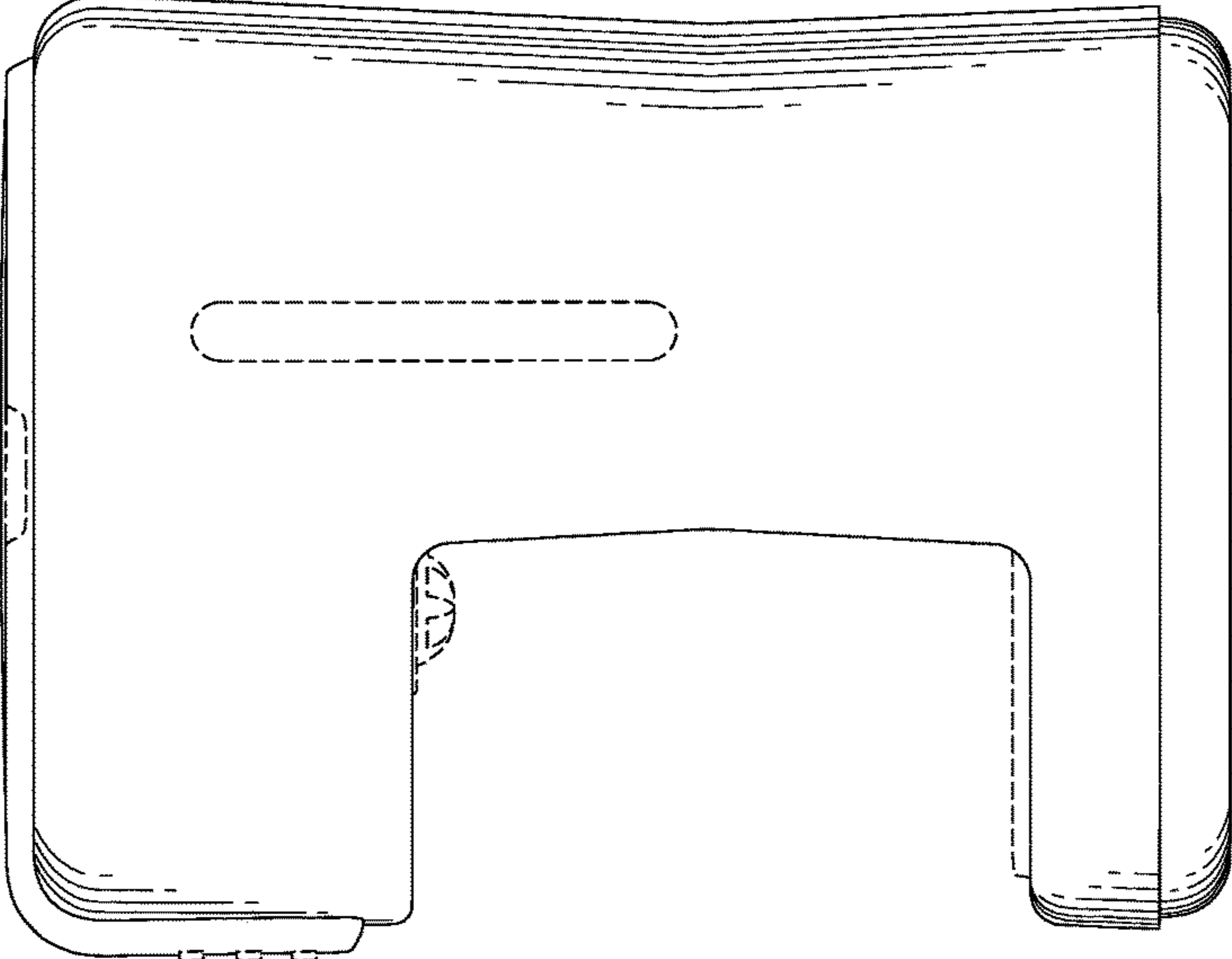


FIG. 4

