



US00D792738S

(12) **United States Design Patent**  
**Savenok**

(10) **Patent No.:** **US D792,738 S**  
(45) **Date of Patent:** **\*\* Jul. 25, 2017**

(54) **RE-CLOSABLE LID WITH IMBEDDED LIQUID DAMMING STRUCTURE**

**DESCRIPTION**

(71) Applicant: **Pavel Savenok**, Wheaton, IL (US)

(72) Inventor: **Pavel Savenok**, Wheaton, IL (US)

(\*\*) Term: **15 Years**

(21) Appl. No.: **29/552,895**

(22) Filed: **Jan. 27, 2016**

(51) **LOC (10) Cl.** ..... **07-01**

(52) **U.S. Cl.**  
USPC ..... **D7/392.1**

(58) **Field of Classification Search**

USPC ..... D7/391, 392, 392.1, 396.1, 396.2, 509,  
D7/510, 511, 514, 518; D9/435, 436,  
D9/440, 447, 451, 516, 530, 738

(Continued)

(56) **References Cited**

**U.S. PATENT DOCUMENTS**

D373,927 S \* 9/1996 Kramer ..... D7/392.1  
6,374,726 B1 \* 4/2002 Melton ..... A47G 19/16  
220/712

(Continued)

**OTHER PUBLICATIONS**

“Thermos Vacuum Insulated Sipp Travel Mug”. Found online Mar. 13, 2017 at amazon.com. Page dated Feb. 24, 2010. Retrieved from [https://www.amazon.com/Thermos-Vacuum-Insulated-Travel-Stainless/dp/B0039LSU6/ref=sr\\_1\\_1?ie=UTF8&qid=1489457798&sr=8-1&keywords=thermos+sipp.\\*](https://www.amazon.com/Thermos-Vacuum-Insulated-Travel-Stainless/dp/B0039LSU6/ref=sr_1_1?ie=UTF8&qid=1489457798&sr=8-1&keywords=thermos+sipp.*)

(Continued)

*Primary Examiner* — Robert M Spear

*Assistant Examiner* — Kendra L Hamilton

(74) *Attorney, Agent, or Firm* — Christopher J. Scott

(57) **CLAIM**

The ornamental design for the re-closable lid with imbedded liquid damming structure, as shown and described.

FIG. 1 is a posterior top perspective view of a re-closable lid with imbedded liquid damming structure in a first condition of use.

FIG. 2 is a top plan view of the re-closable lid with imbedded liquid damming structure in the first condition of use.

FIG. 3 is a posterior top perspective view of a re-closable lid with imbedded liquid damming structure in a second condition of use.

FIG. 4 is an anterior top perspective view of the re-closable lid with imbedded liquid damming structure in the second condition of use.

FIG. 5 is a top plan view of the re-closable lid with imbedded liquid damming structure in the second condition of use.

FIG. 6 is a posterior top perspective view of a re-closable lid with imbedded liquid damming structure in a third condition of use.

FIG. 7 is an anterior top perspective view of the re-closable lid with imbedded liquid damming structure in the third condition of use.

FIG. 8 is a top plan view of the re-closable lid with imbedded liquid damming structure in the third condition of use.

FIG. 9 is an anterior bottom perspective view of the re-closable lid with imbedded liquid damming structure.

FIG. 10 is a bottom plan view of the re-closable lid with imbedded liquid damming structure.

FIG. 11 is a first lateral elevational view of the re-closable lid with imbedded liquid damming structure.

FIG. 12 is a posterior elevational view of the re-closable lid with imbedded liquid damming structure.

FIG. 13 is an anterior elevational view of the re-closable lid with imbedded liquid damming structure.

FIG. 14 is a second lateral elevational view of the re-closable lid with imbedded liquid damming structure.

FIG. 15 is a top perspective view of an insert structure removed from the re-closable lid with imbedded liquid damming structure.

(Continued)

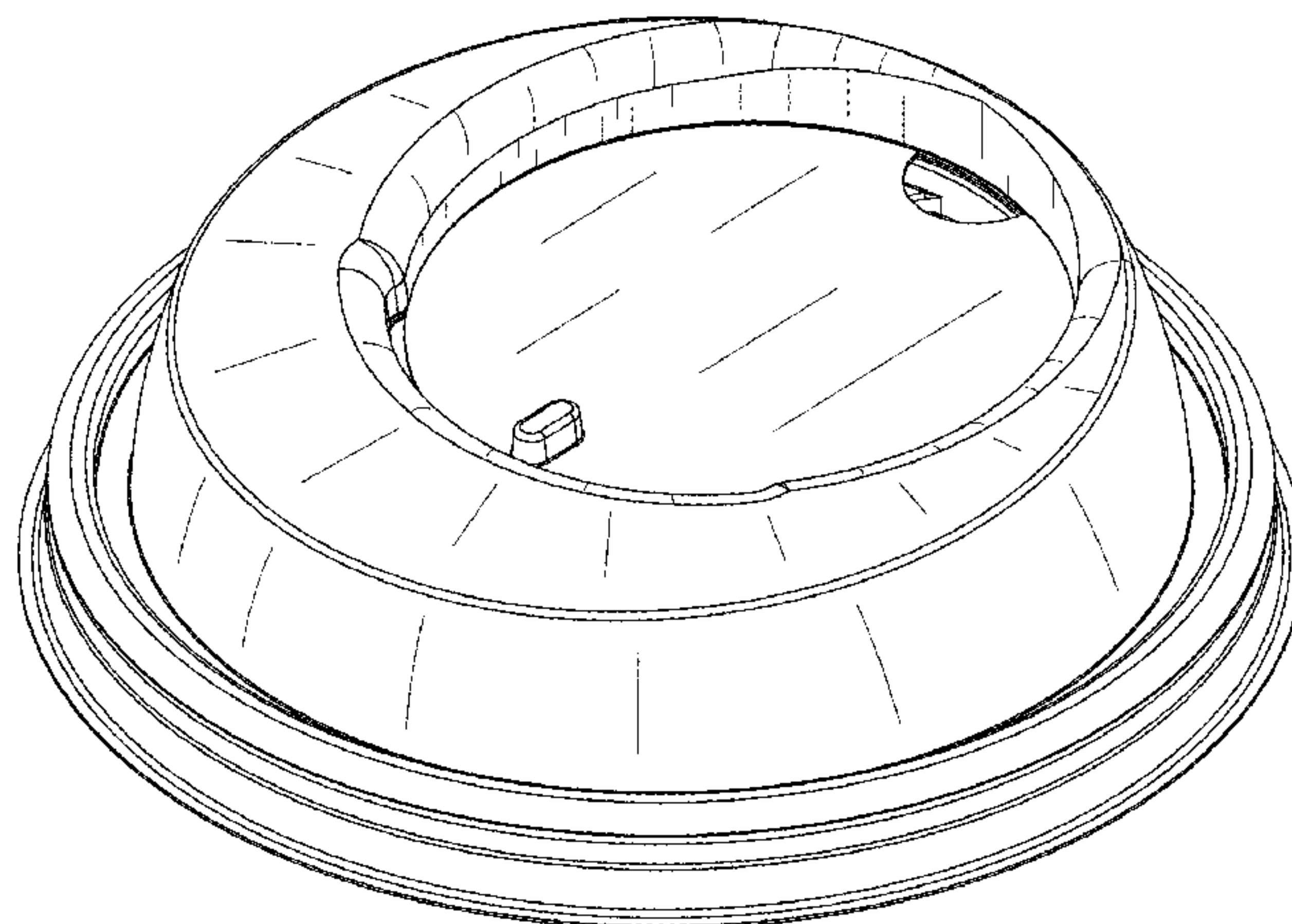


FIG. 16 is a top plan view of the insert structure removed from the re-closable lid with imbedded liquid damming structure.

FIG. 17 is a bottom plan view of the insert structure removed from the re-closable lid with imbedded liquid damming structure.

FIG. 18 is a first lateral edge view of the insert structure removed from the re-closable lid with imbedded liquid damming structure.

FIG. 19 is a second lateral edge view of the insert structure removed from the re-closable lid with imbedded liquid damming structure.

FIG. 20 is an anterior bottom perspective view of the insert structure removed from the re-closable lid with imbedded liquid damming structure.

FIG. 21 is an anterior edge view of the insert structure removed from the re-closable lid with imbedded liquid damming structure.

FIG. 22 is a posterior bottom perspective view of the insert structure removed from the re-closable lid with imbedded liquid damming structure; and,

FIG. 23 is a posterior edge view of the insert structure removed from the re-closable lid with imbedded liquid damming structure.

**1 Claim, 16 Drawing Sheets**

(58) **Field of Classification Search**

CPC ..... B65D 47/2037  
See application file for complete search history.

(56)

**References Cited**

U.S. PATENT DOCUMENTS

D474,068	S *	5/2003	Fujii	.....	D7/392.1
D525,826	S *	8/2006	Kugler	.....	D7/392.1
D537,675	S *	3/2007	Khalifa	.....	D7/392.1
D543,777	S *	6/2007	Seum	.....	D7/392.1
D550,508	S *	9/2007	Tien	.....	D7/510
D679,940	S *	4/2013	Paige	.....	D7/392.1
D737,139	S *	8/2015	Sokoly	.....	D9/435
D761,649	S *	7/2016	Buck	.....	D9/447
2007/0240580	A1 *	10/2007	Lusareta	.....	B65D 47/06 99/279
2008/0011762	A1 *	1/2008	Boone	.....	B65D 43/0212 220/713
2012/0152968	A1 *	6/2012	Bailey	.....	B65D 43/0212 220/713

OTHER PUBLICATIONS

“Contigo Autoseal Transit Travel Mug”. Found online Mar. 9, 2017 at amazon.com. Page dated Sep. 28, 2015. Retrieved from [https://www.amazon.com/Contigo-AUTOSEAL-Transit-Stainless-Travel/dp/B0160988SU/ref=sr\\_1\\_6?ie=UTF8&qid=1488839640&sr=8-6&keywords=travel+mug.\\*](https://www.amazon.com/Contigo-AUTOSEAL-Transit-Stainless-Travel/dp/B0160988SU/ref=sr_1_6?ie=UTF8&qid=1488839640&sr=8-6&keywords=travel+mug.*)

“Tervis Travel Lid”. Found online Mar. 9, 2017 at amazon.com. Page dated May 1, 2007. Retrieved from [https://www.amazon.com/...TF8&pd\\_rd\\_i=B001GA5CHY&pd\\_rd\\_r=R7WYKXRM81PYFM88FDKM&pd\\_rd\\_w=c9i35&pd\\_rd\\_wg=PuwEb&refRID=R7WYKXRM81PYFM88FDKM&th=1.\\*](https://www.amazon.com/...TF8&pd_rd_i=B001GA5CHY&pd_rd_r=R7WYKXRM81PYFM88FDKM&pd_rd_w=c9i35&pd_rd_wg=PuwEb&refRID=R7WYKXRM81PYFM88FDKM&th=1.*)

“To-Go Mug: Reusable Coffee Mugs—Set of 2”. Found online Mar. 9, 2017 at amazon.com. Page dated May 13, 2015. Retrieved from [https://www.amazon.com/...0XLMMIUY/ref=pd\\_sim\\_79\\_6?\\_encoding=UTF8&pd\\_rd\\_i=B00XLMMIUY&psc=1&refRID=E8AKSZF229N16ZQH6RXXF&refinements=p\\_72%3A1248918011.\\*](https://www.amazon.com/...0XLMMIUY/ref=pd_sim_79_6?_encoding=UTF8&pd_rd_i=B00XLMMIUY&psc=1&refRID=E8AKSZF229N16ZQH6RXXF&refinements=p_72%3A1248918011.*)

\* cited by examiner

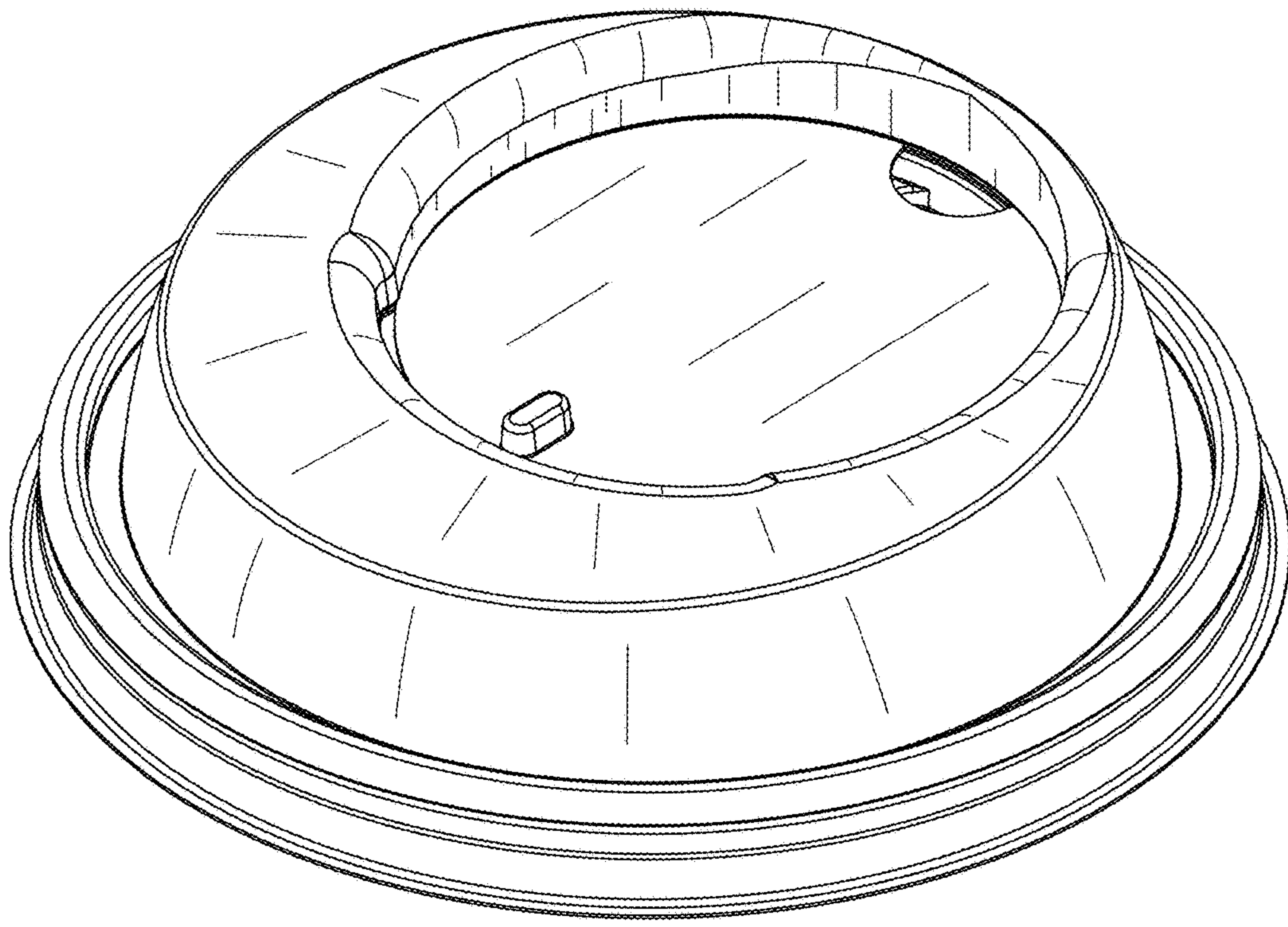


FIG. 1



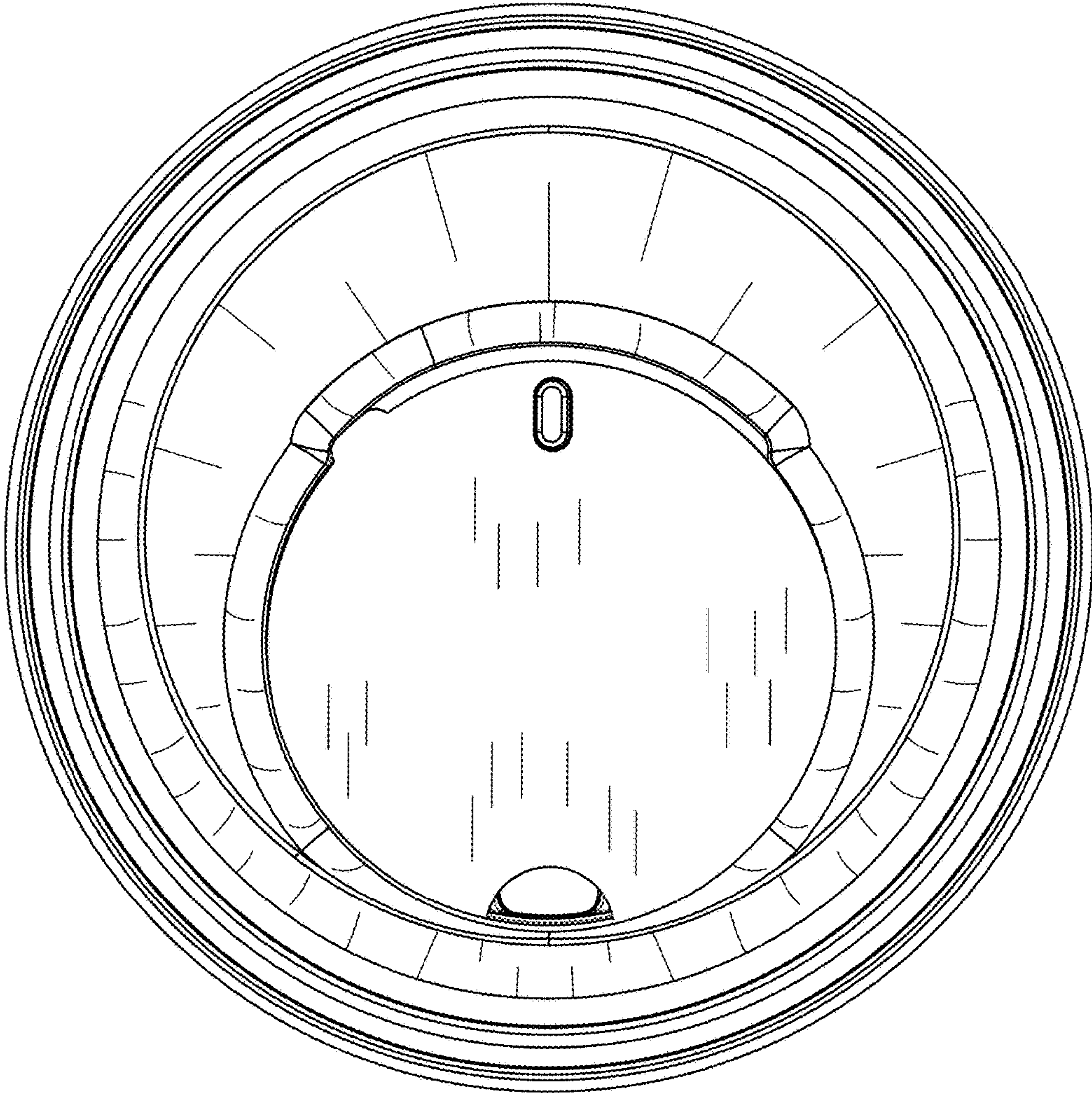


FIG. 2

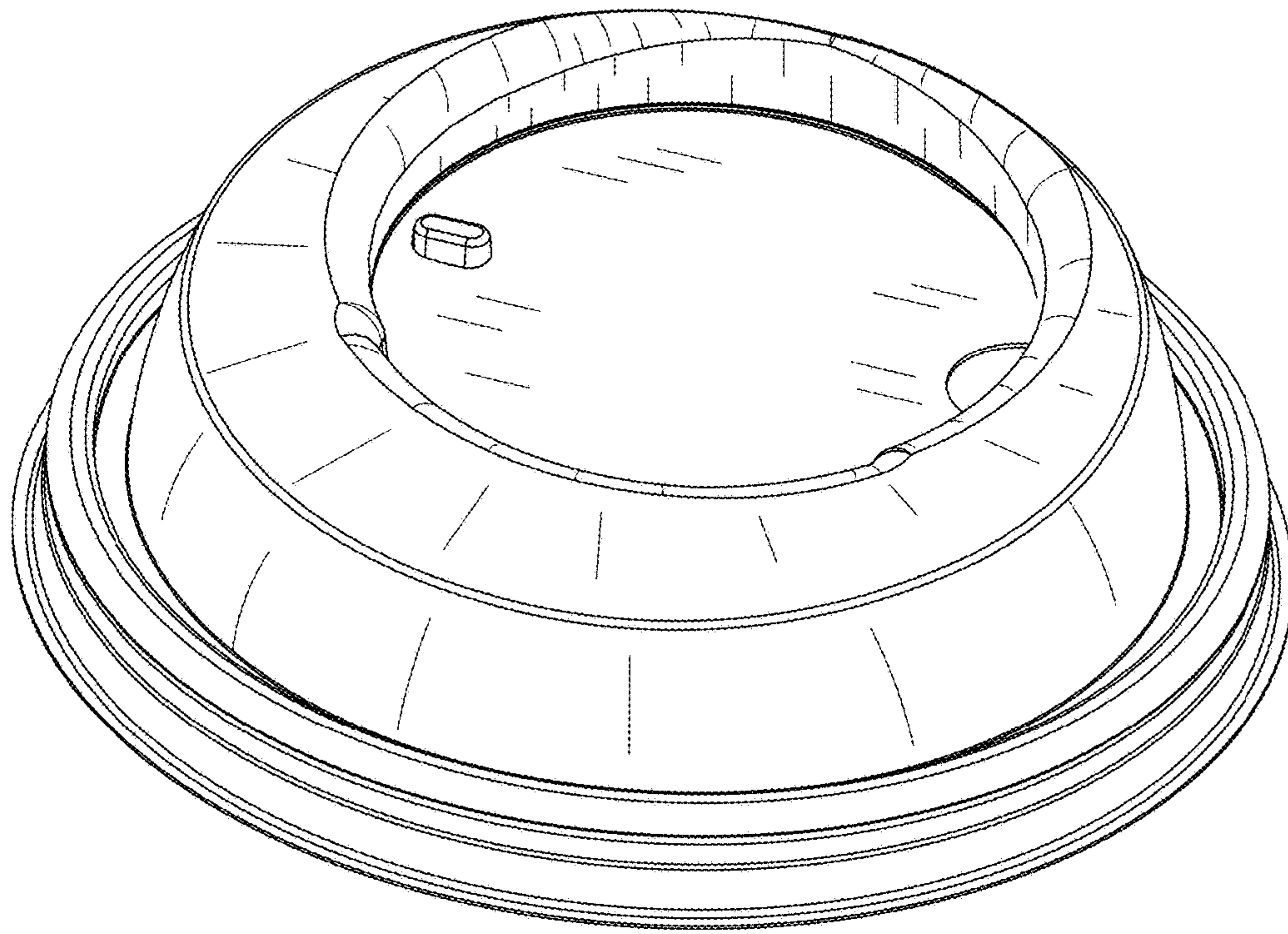


FIG. 3

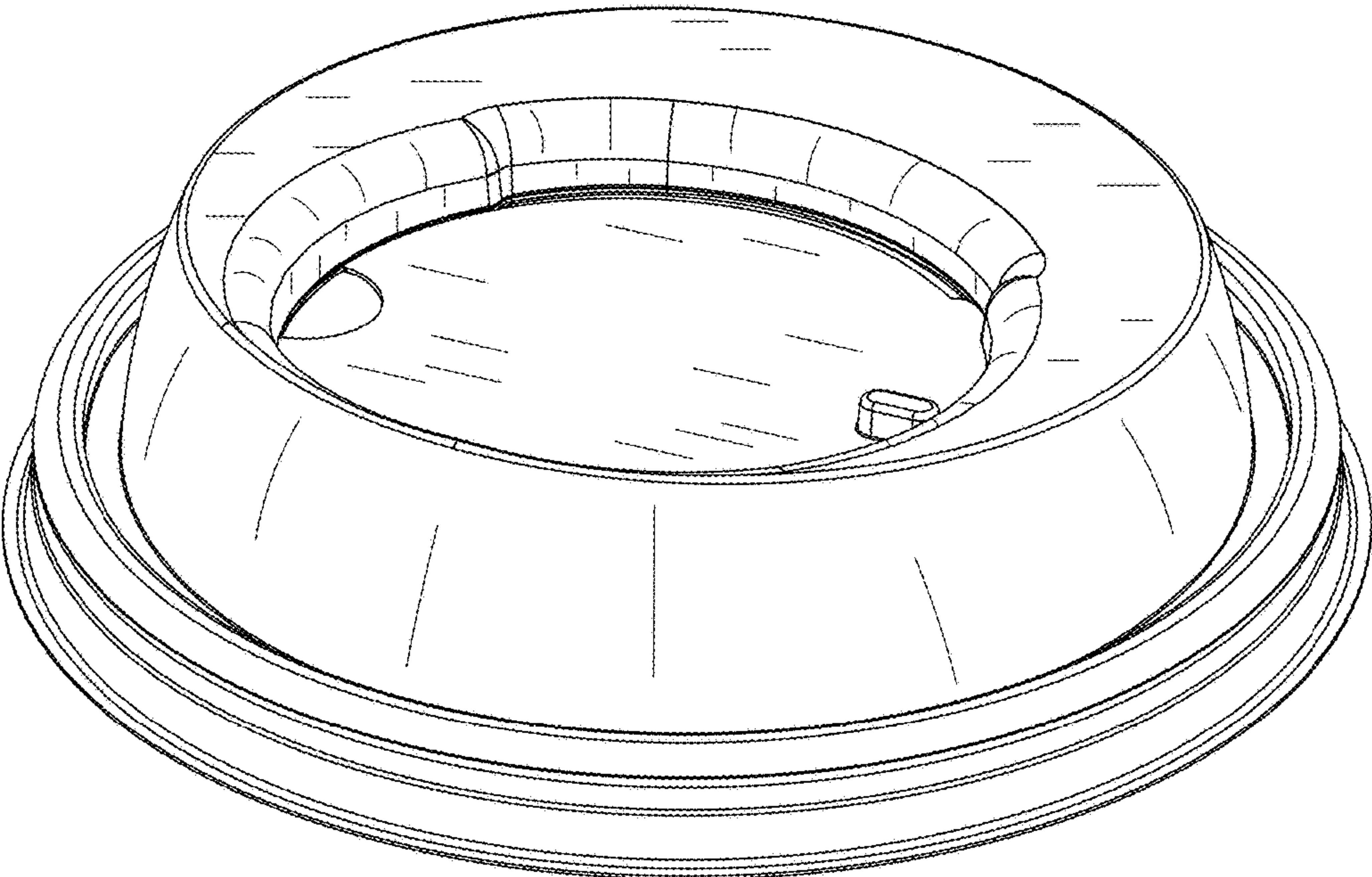


FIG. 4



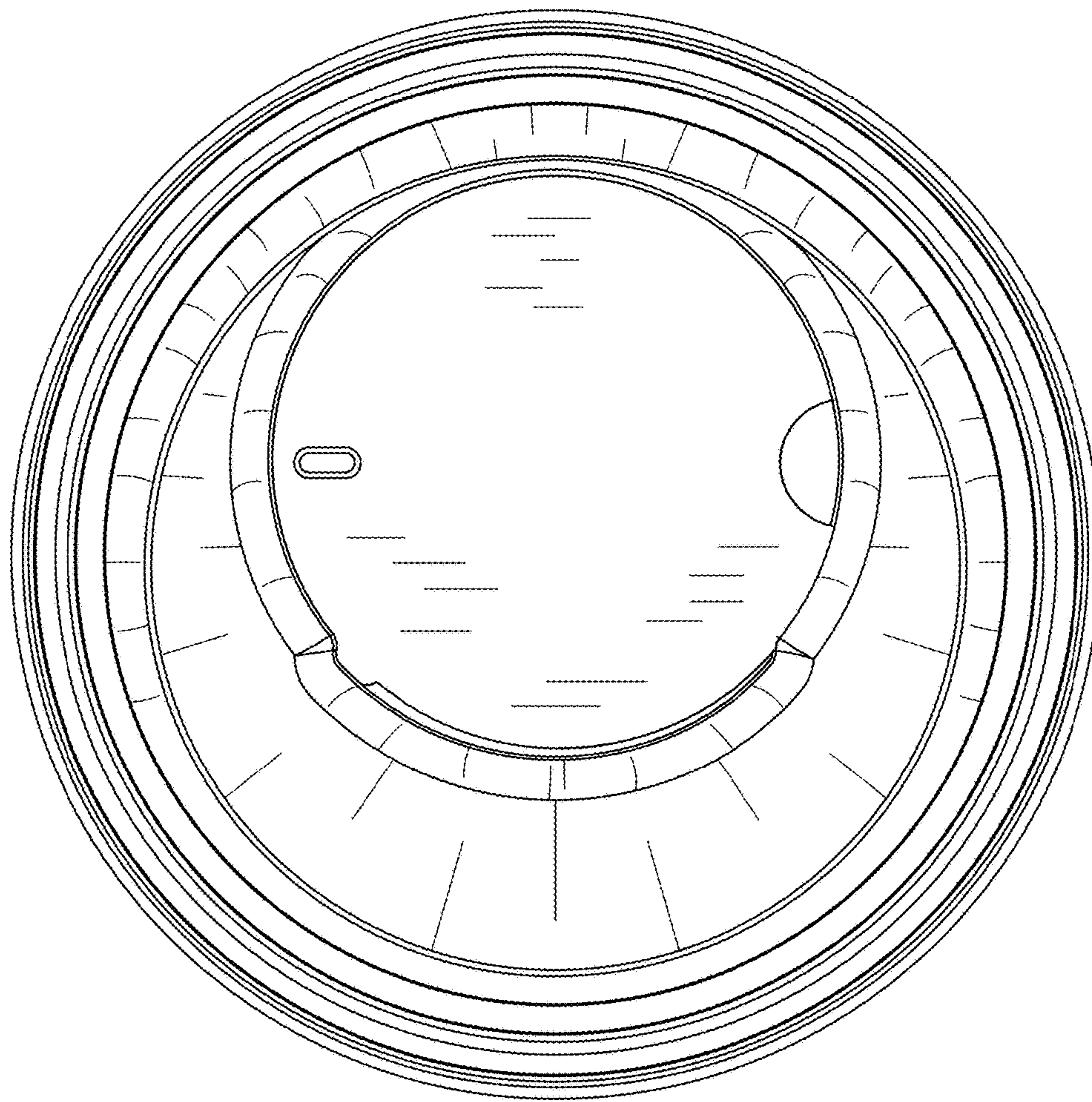


FIG. 5

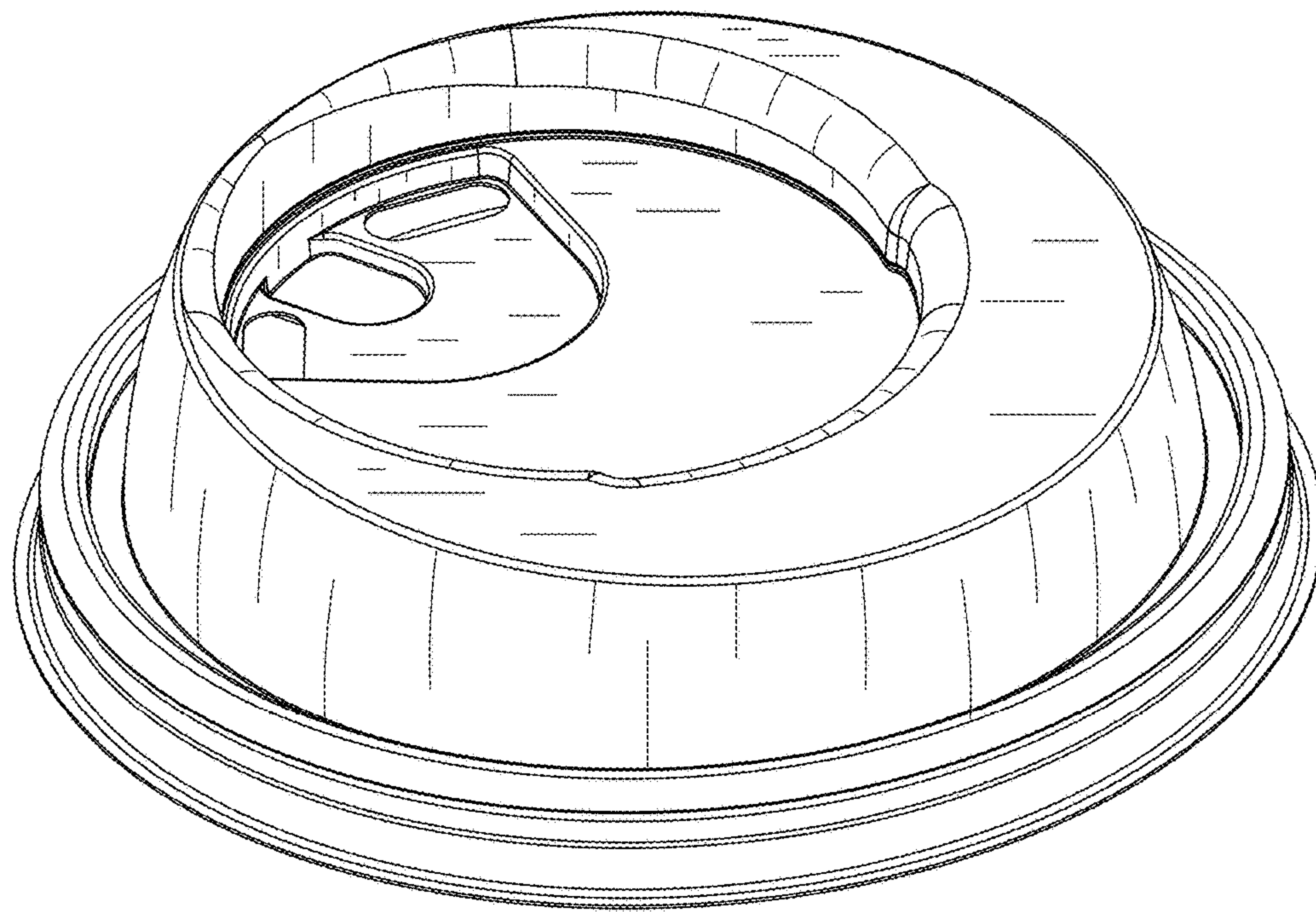


FIG. 6



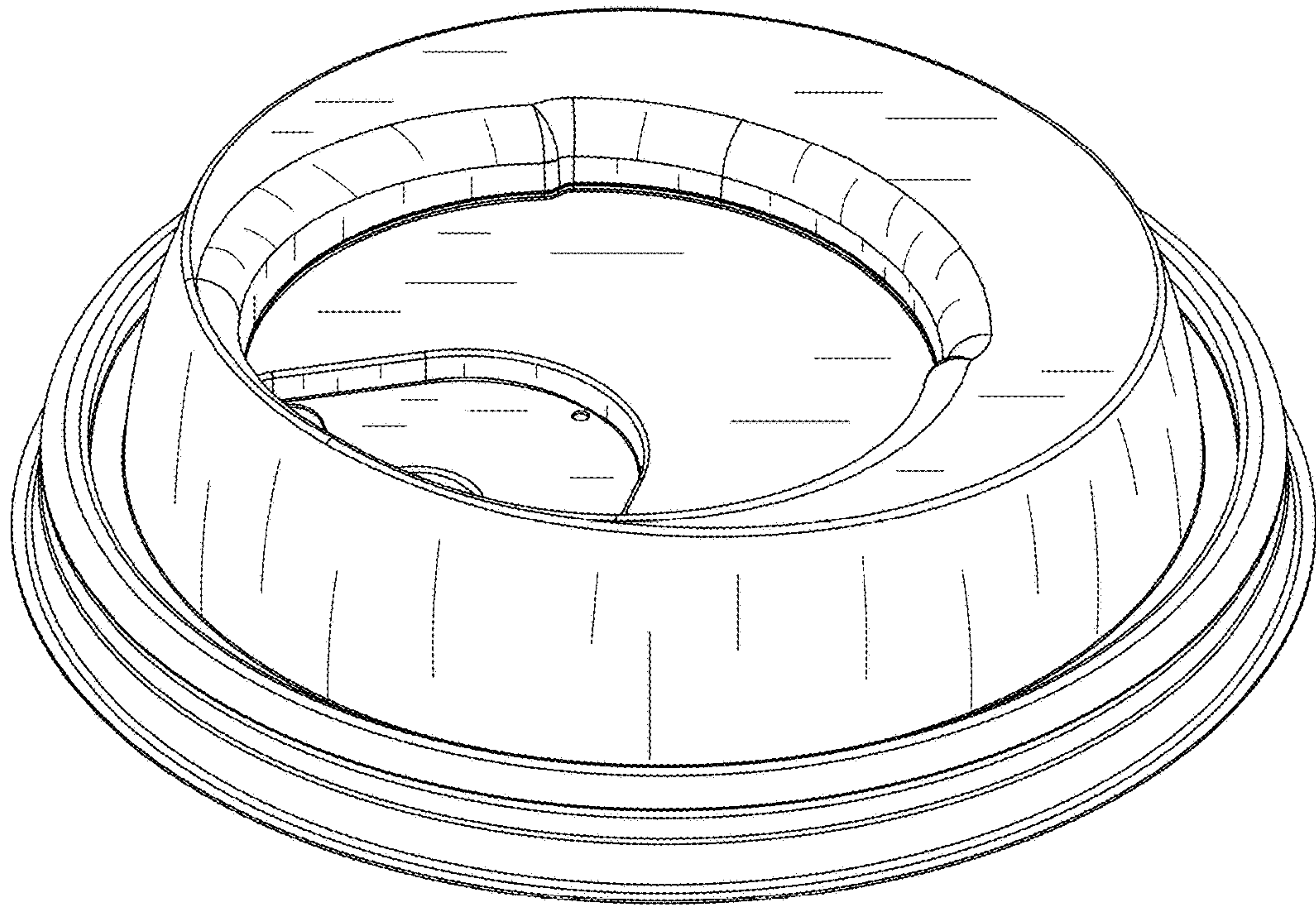


FIG. 7

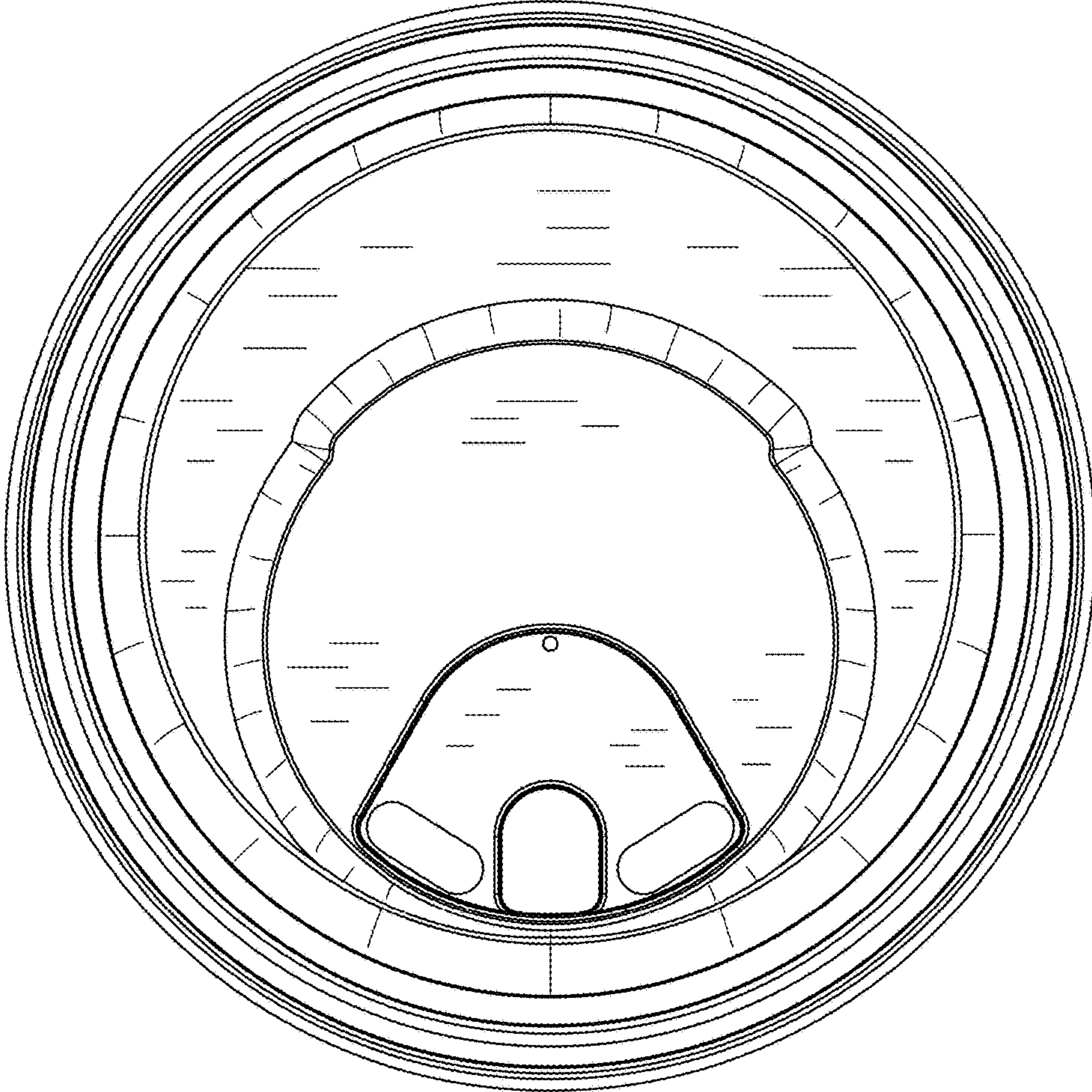


FIG. 8

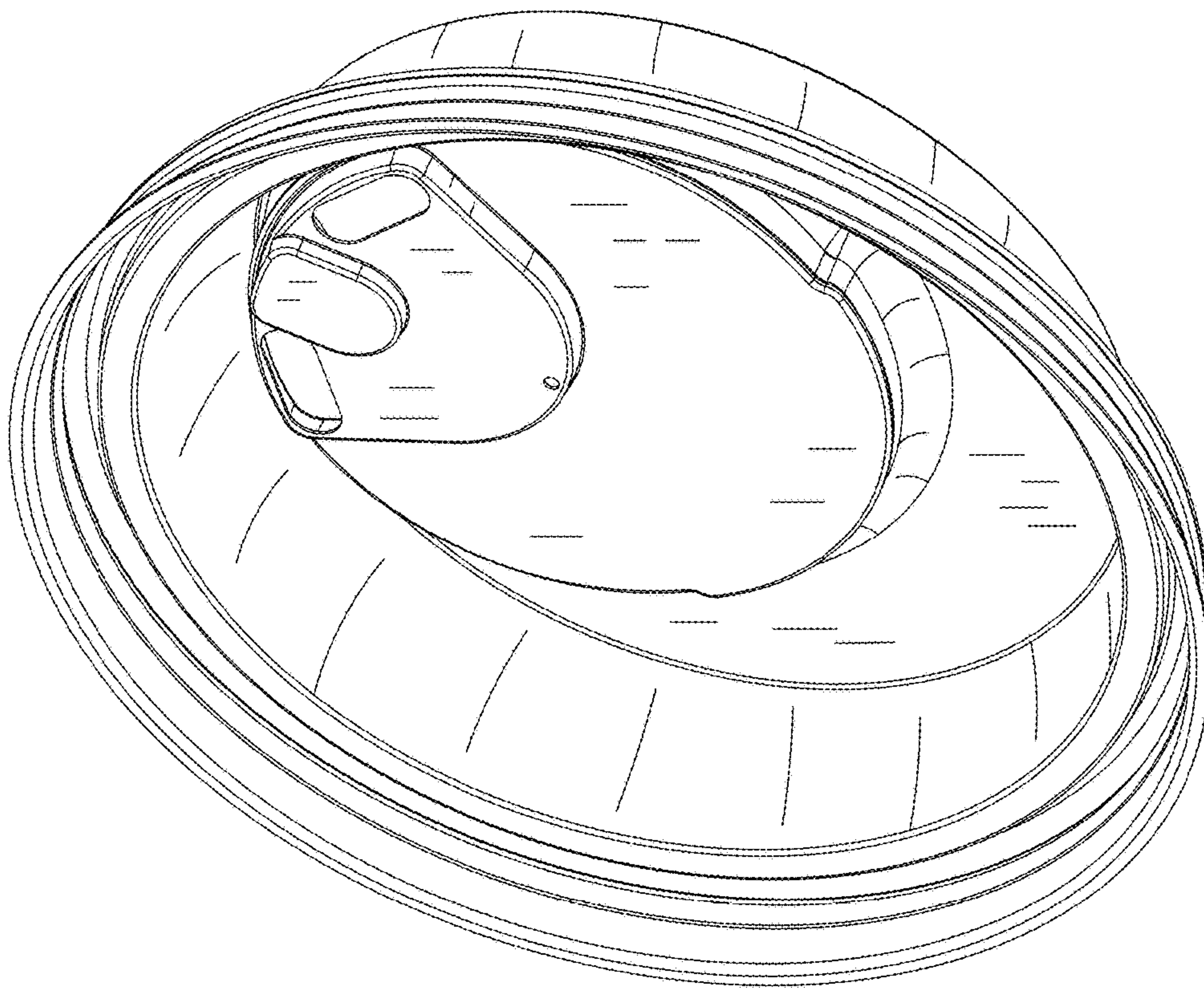


FIG. 9



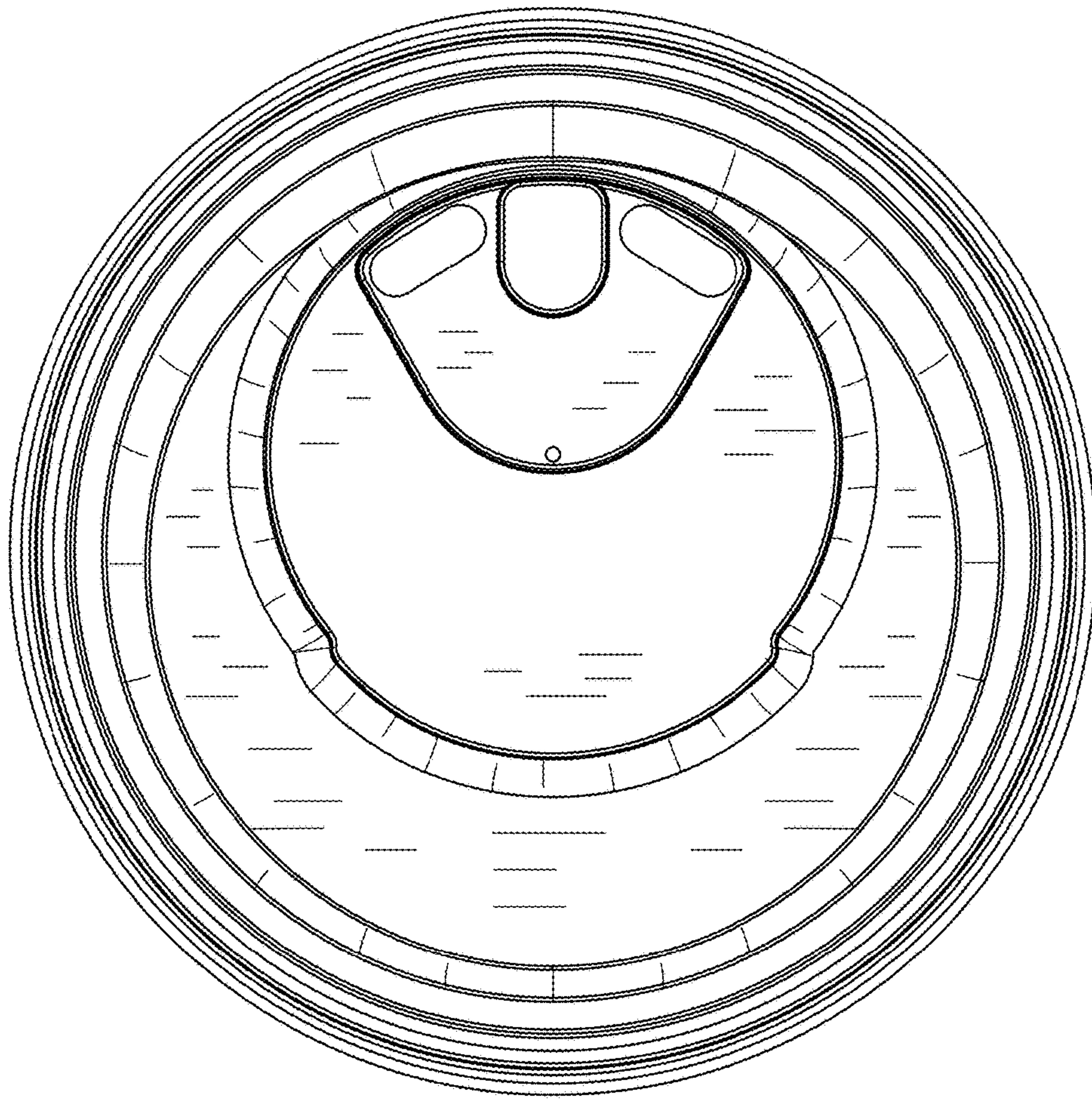


FIG. 10

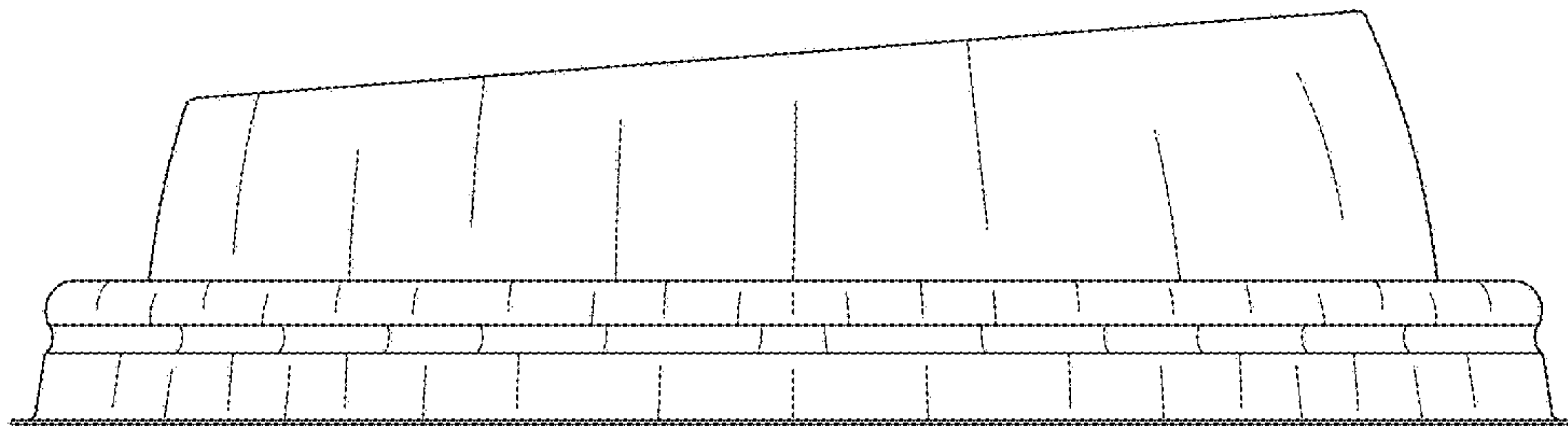


FIG. 11

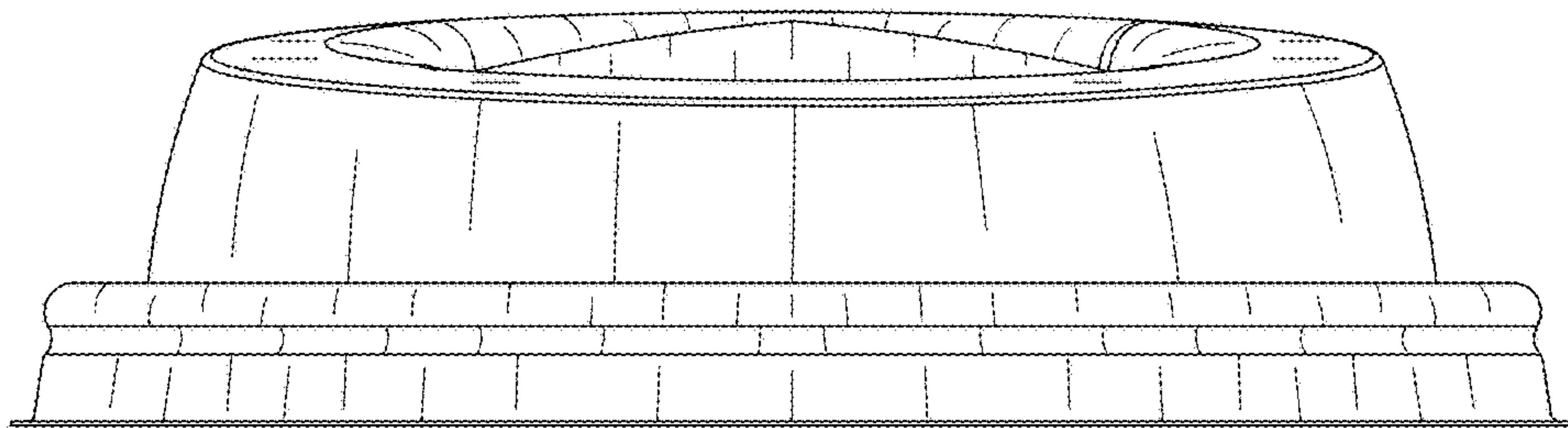


FIG. 12



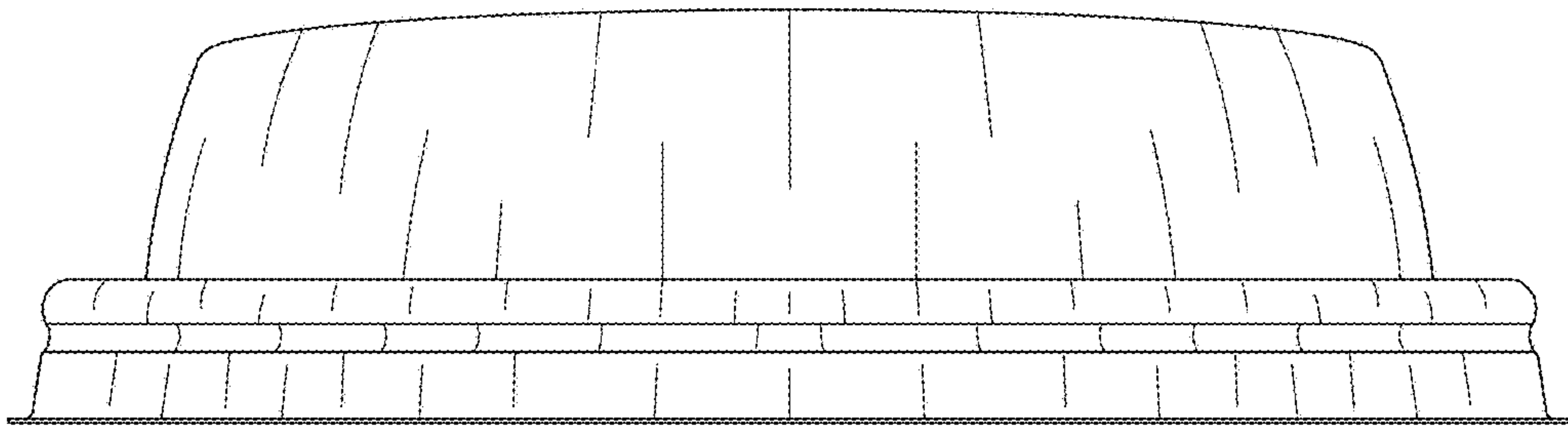


FIG. 13

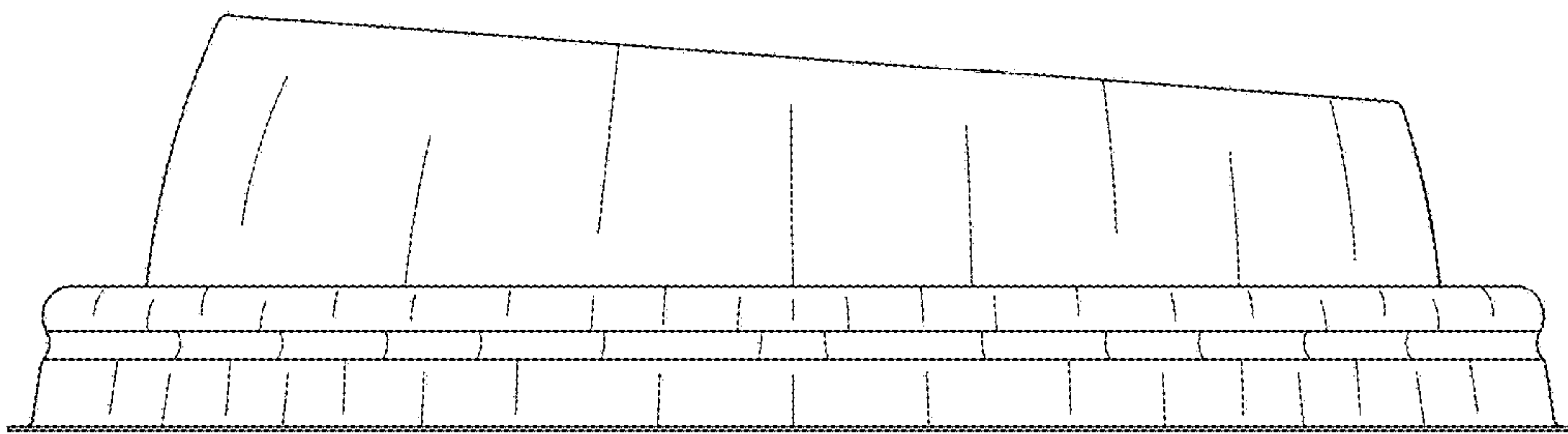


FIG. 14

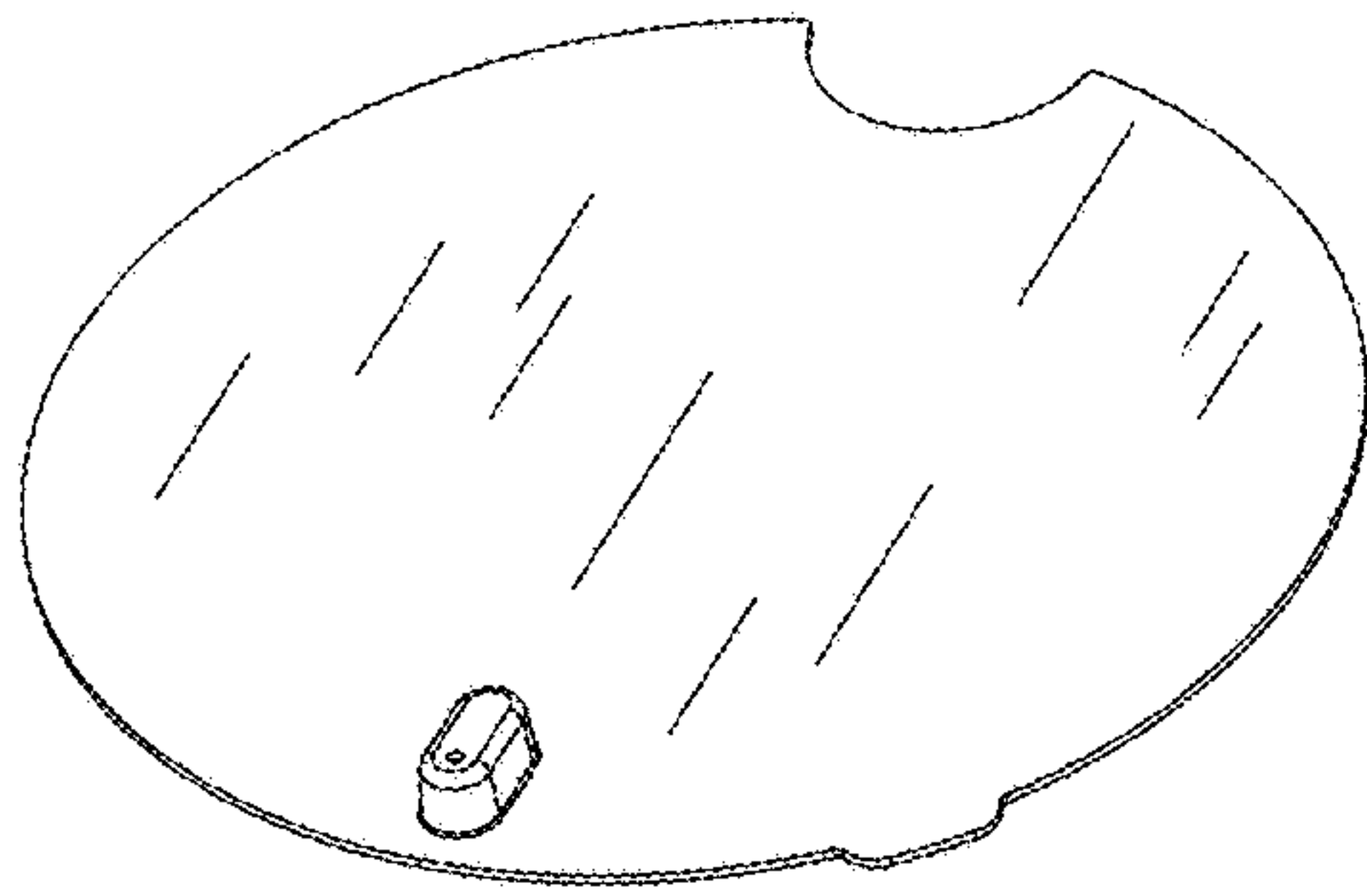


FIG. 15

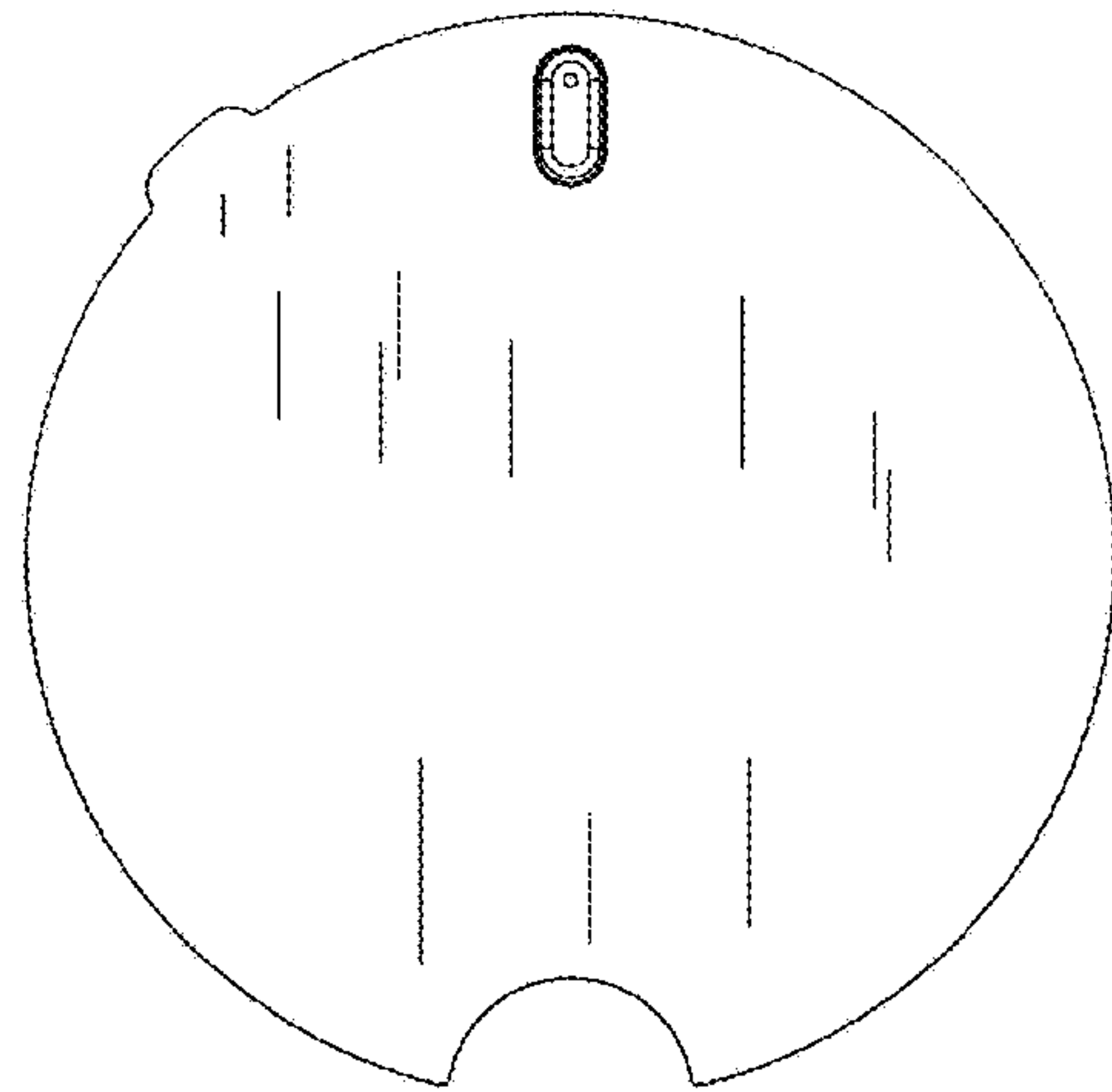


FIG. 16

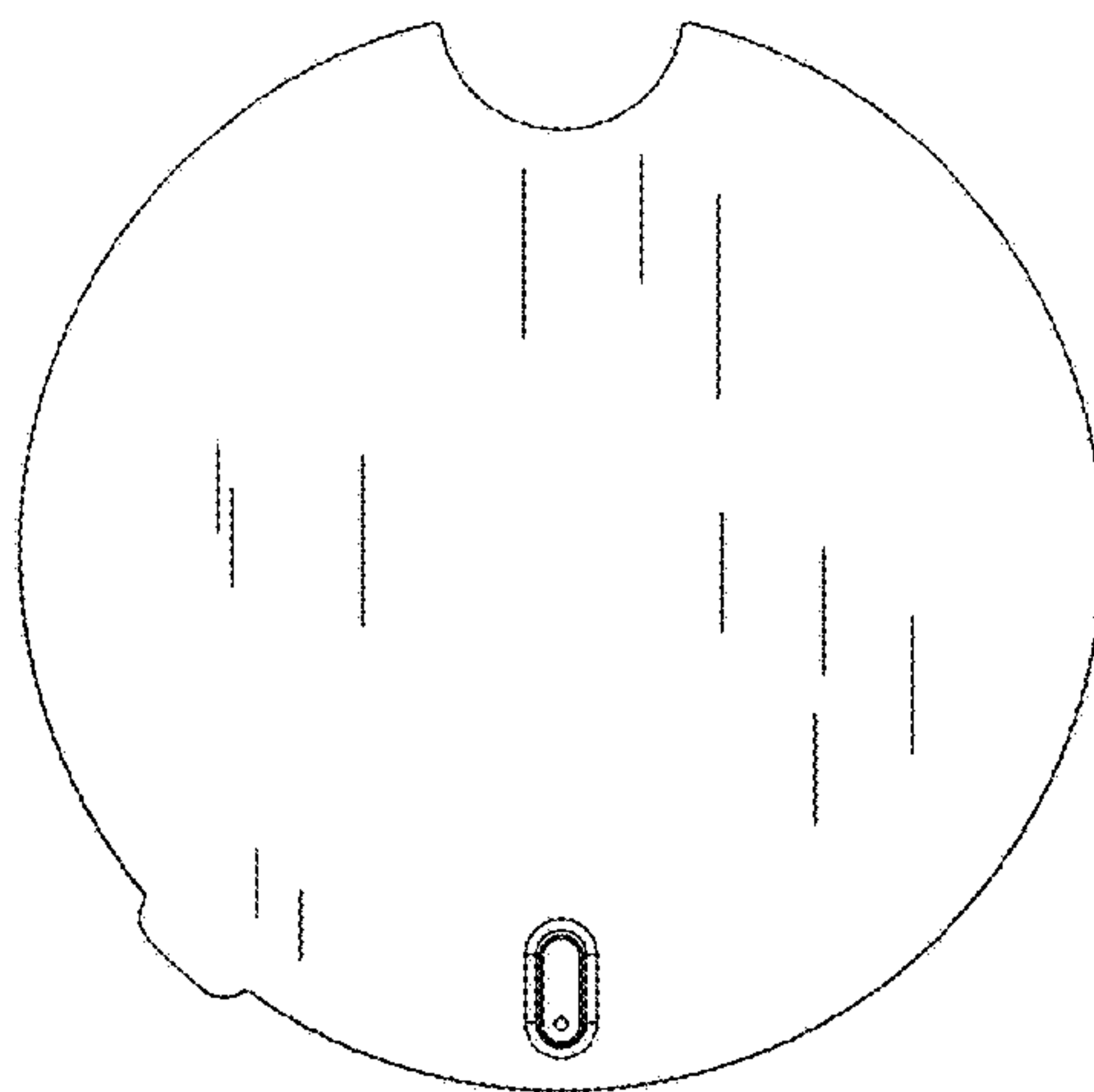


FIG. 17

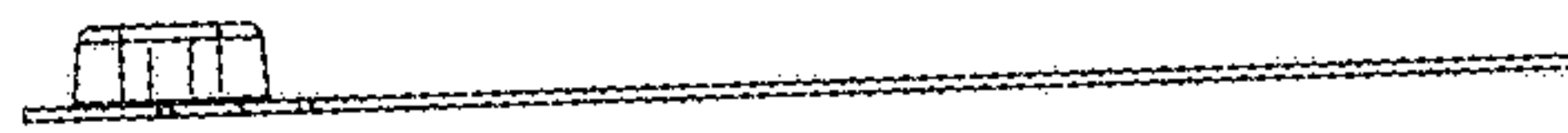


FIG. 18

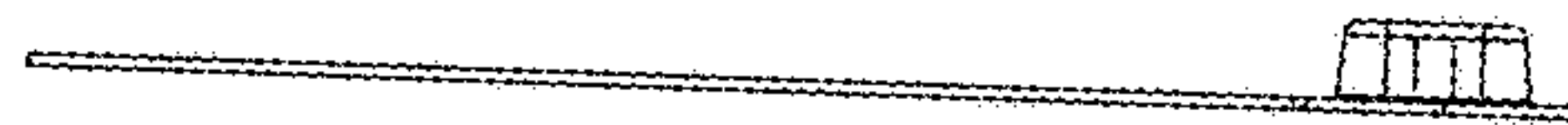


FIG. 19



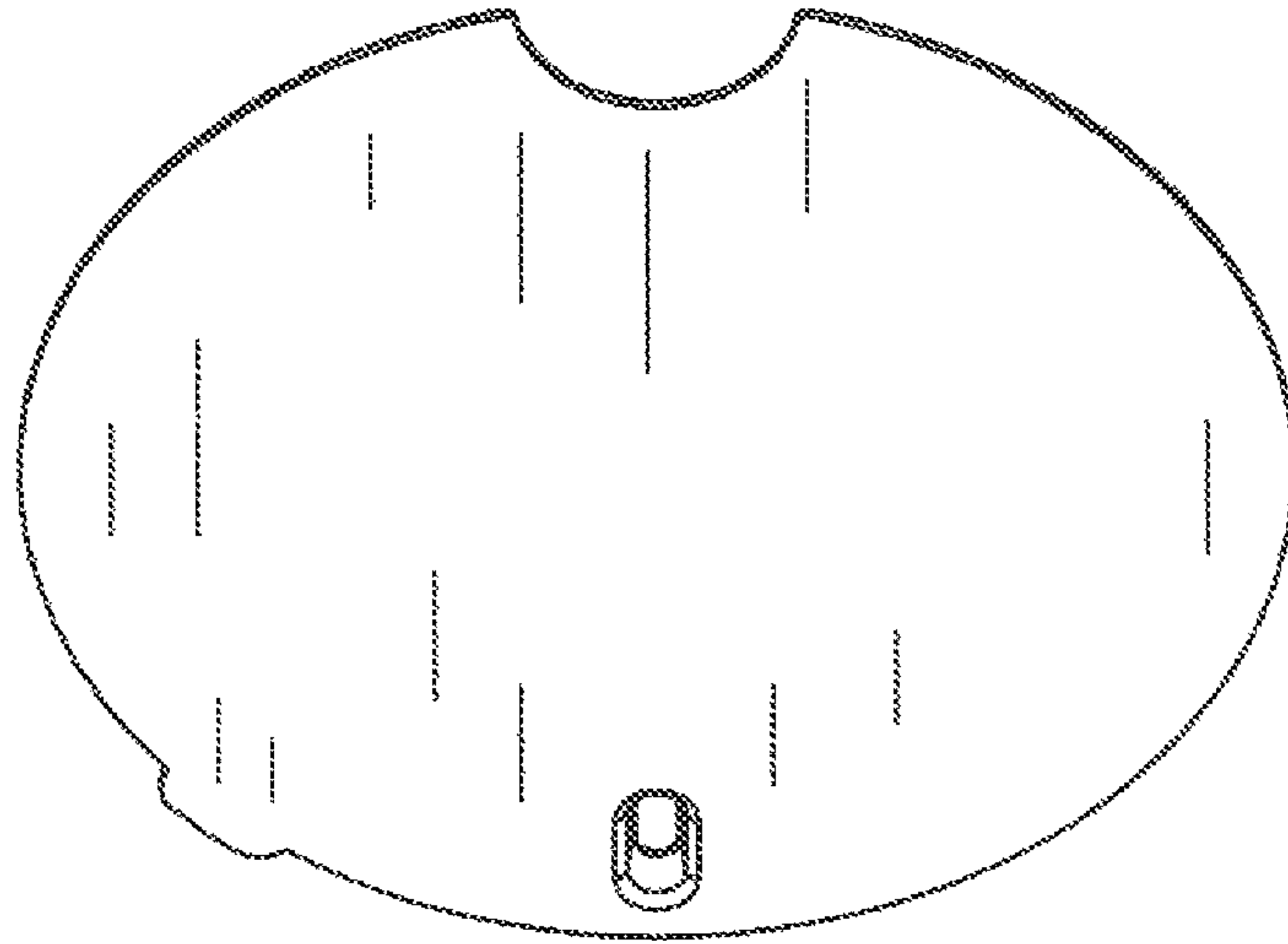


FIG. 20



FIG. 21

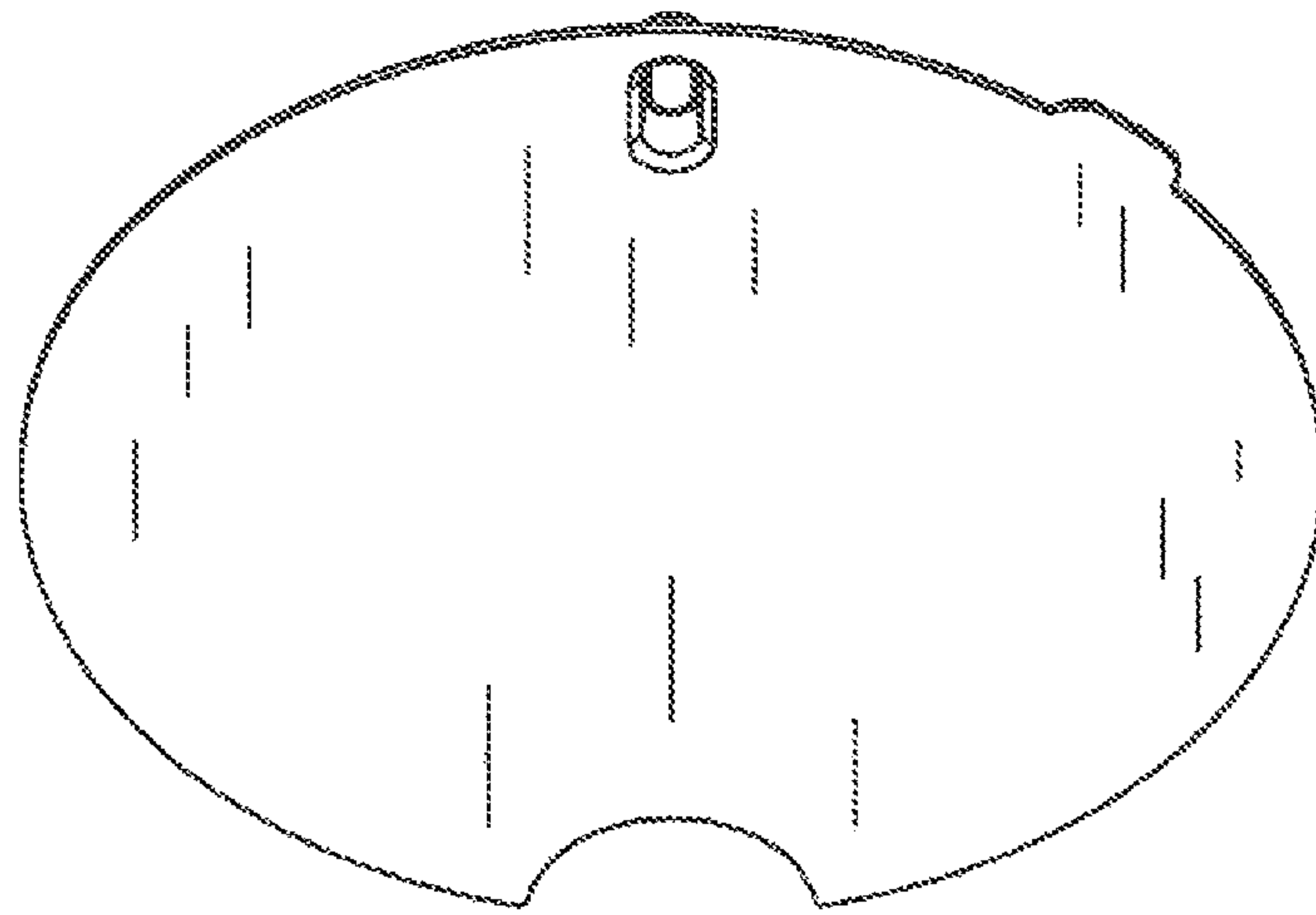


FIG. 22



FIG. 23