



US00D792737S

(12) **United States Design Patent** (10) **Patent No.:** **US D792,737 S**
Stergiotis (45) **Date of Patent:** **** Jul. 25, 2017**

(54) **MILK FROTHER**

(56) **References Cited**

(71) Applicant: **Hands (IP) Holdings Pty Ltd.**, Frenchs Forest (AU)

U.S. PATENT DOCUMENTS

(72) Inventor: **Andrew Stergiotis**, Frenchs Forest (AU)

D178,521 S *	8/1956	Keefe	D7/317
D308,459 S *	6/1990	Balzano	D7/317
D527,940 S *	9/2006	Cohen	D7/317
D592,446 S *	5/2009	Berlencourt	D7/376
D602,304 S *	10/2009	Elissen	D7/317
D607,684 S *	1/2010	Elissen	D7/317
D613,988 S *	4/2010	Lane	D7/317
D630,463 S *	1/2011	Picozza	D7/317
D646,520 S *	10/2011	Collinson	D7/376
D646,522 S *	10/2011	Collinson	D7/376
D703,479 S *	4/2014	Norland	D7/376
D738,669 S *	9/2015	Brook	D7/317
D749,353 S *	2/2016	De'Longhi	D7/376

(**) Term: **15 Years**

(21) Appl. No.: **29/535,880**

(22) Filed: **Aug. 11, 2015**

(30) **Foreign Application Priority Data**

Apr. 22, 2015 (AU) 201512114

(51) **LOC (10) Cl.** **31-00**

(52) **U.S. Cl.**
USPC **D7/377; D7/376**

(58) **Field of Classification Search**
USPC D7/317-318, 372, 376-386, 412-413,
D7/602, 629, 665-666, 669, 679,
D7/693-694

CPC A21C 1/02; A21C 1/04; A23N 1/00; A23N
1/02; A47J 43/04; A47J 43/25; A47J
43/27; A47J 43/042; A47J 43/044; A47J
43/046; A47J 43/075; A47J 43/0716;
A47J 43/0722; A47J 43/0727; B01F 3/00;
B01F 3/0807; B01F 3/0853; B01F
13/0059; B01F 13/0064; B02C 1/08;
B02C 2/04; B02C 4/42; B02C 4/142;
B02C 4/143; B02C 4/423; B02C 13/1835;
B28C 5/10; B28C 5/12; B28C 5/14;
B28C 5/16

See application file for complete search history.

* cited by examiner

Primary Examiner — Ricky Pham

(74) *Attorney, Agent, or Firm* — Kartsounes Law, LLC

(57) **CLAIM**

The ornamental design for a milk frother, as shown and described.

DESCRIPTION

FIG. 1 is a perspective view of the milk frother showing my new design;

FIG. 2 is a front elevation view of FIG. 1;

FIG. 3 is a right side elevation view of FIG. 1;

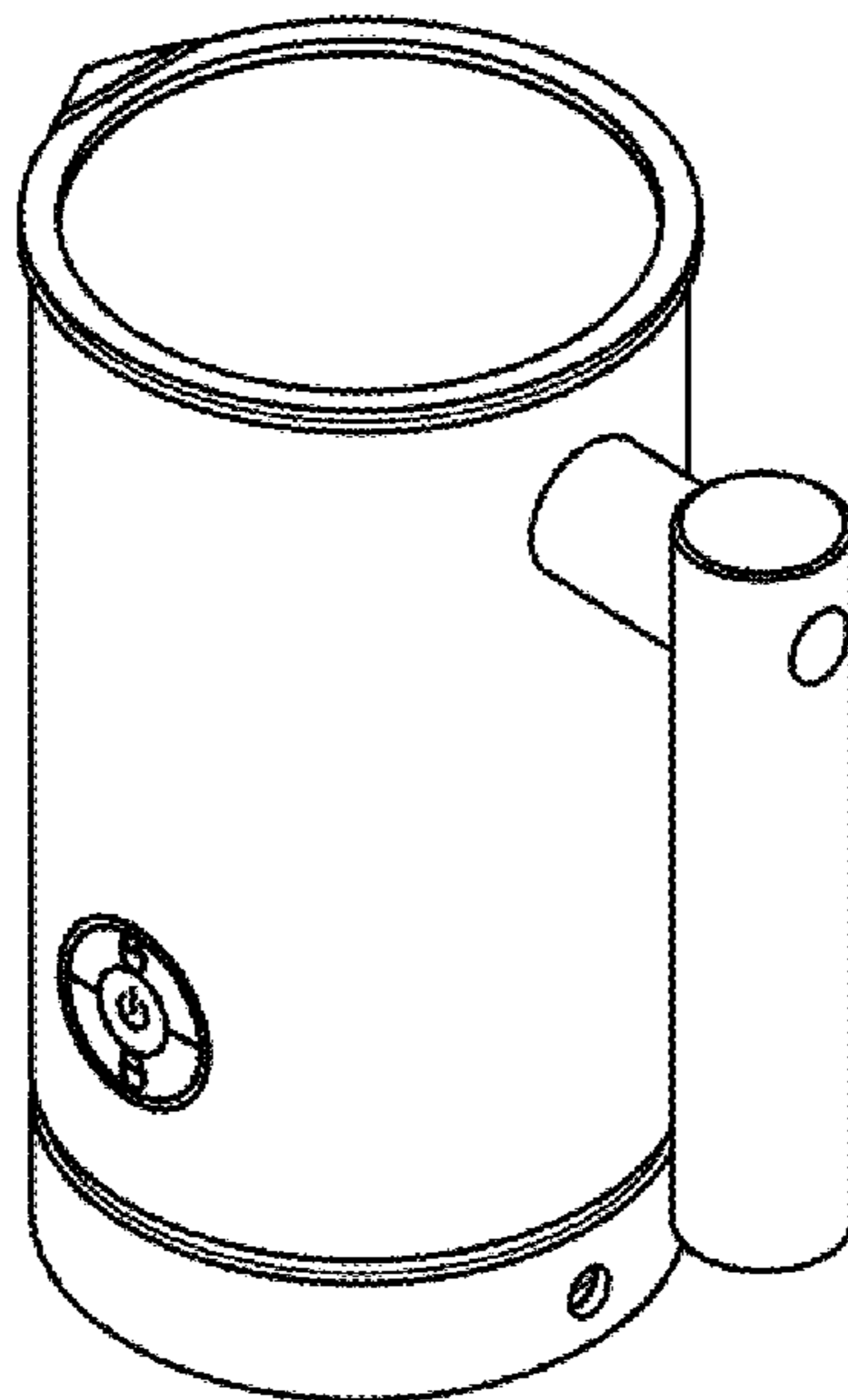
FIG. 4 is a left side elevation view of FIG. 1;

FIG. 5 is a top plan view of FIG. 1;

FIG. 6 is a rear elevation view of FIG. 1; and,

FIG. 7 is a bottom plan view of FIG. 1.

1 Claim, 4 Drawing Sheets



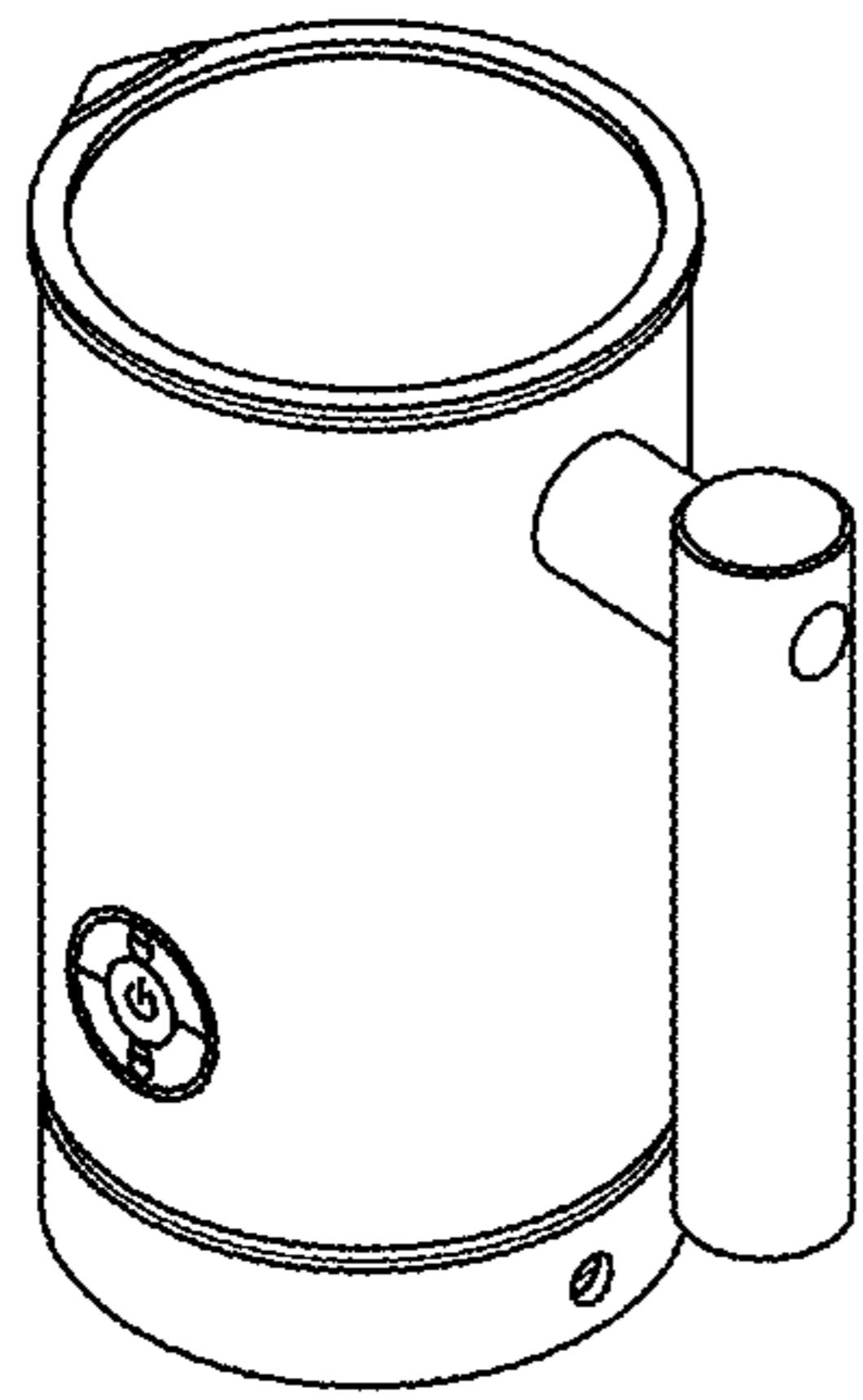


Fig. 1

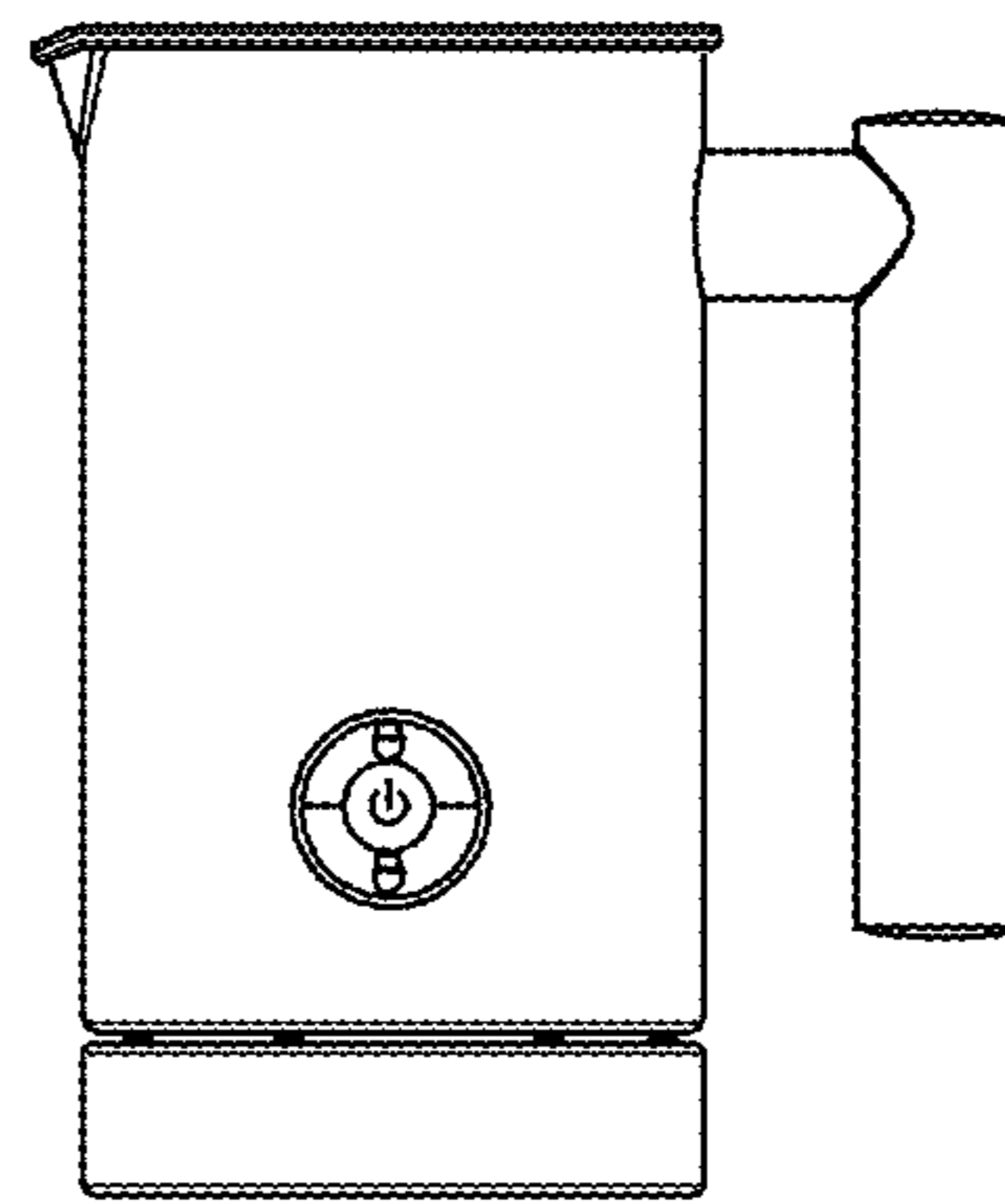


Fig. 2

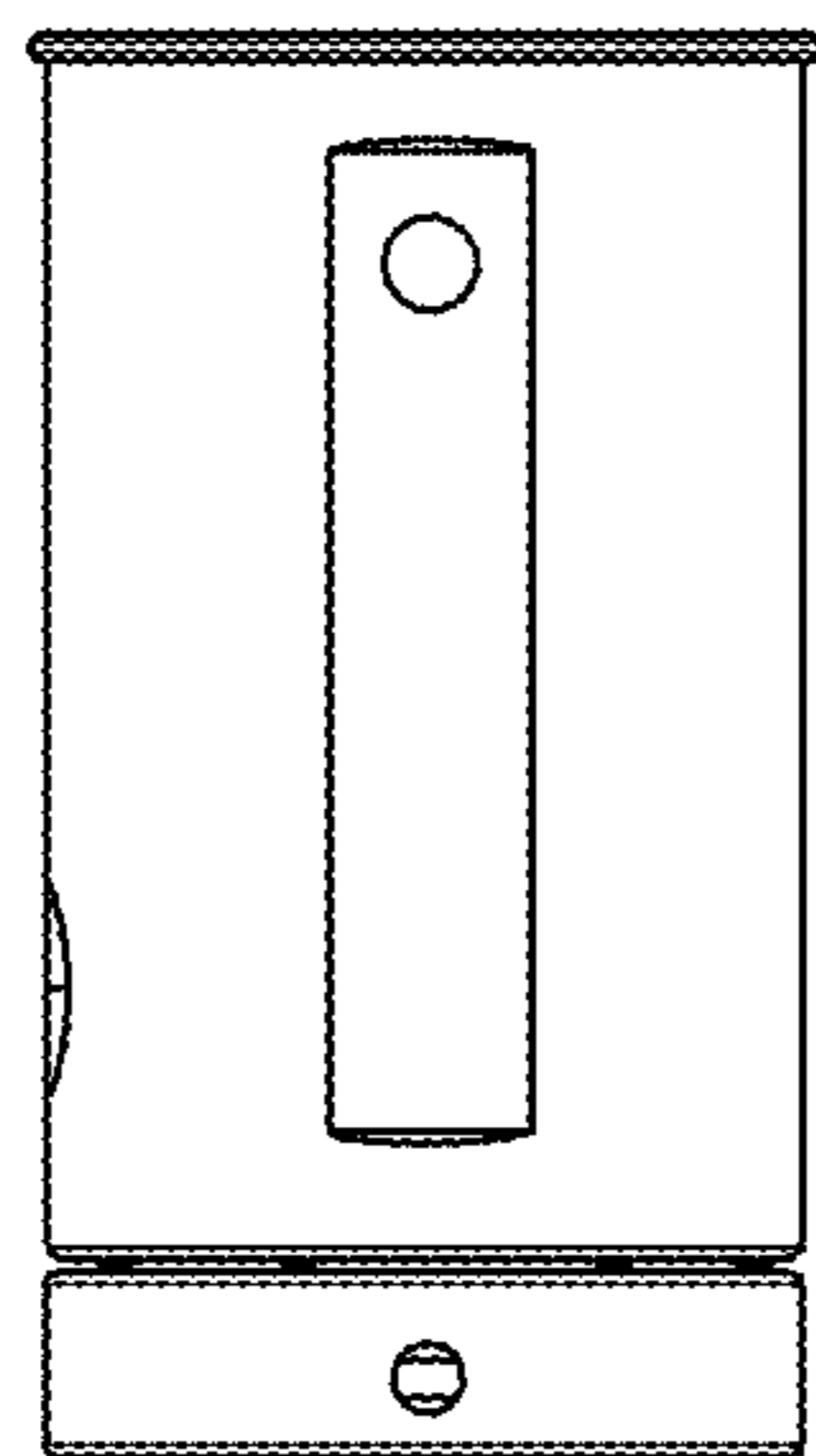


Fig. 3

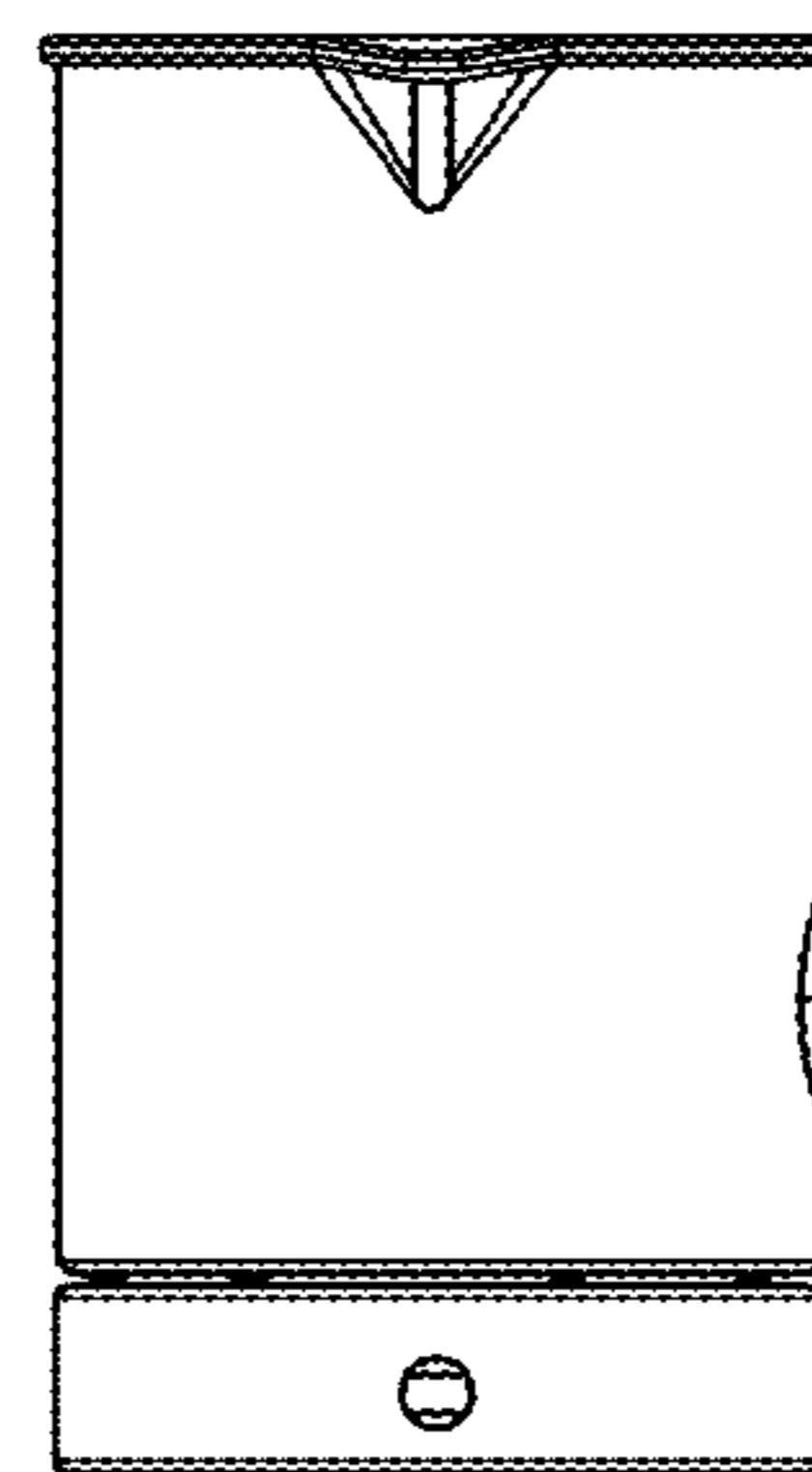


Fig. 4

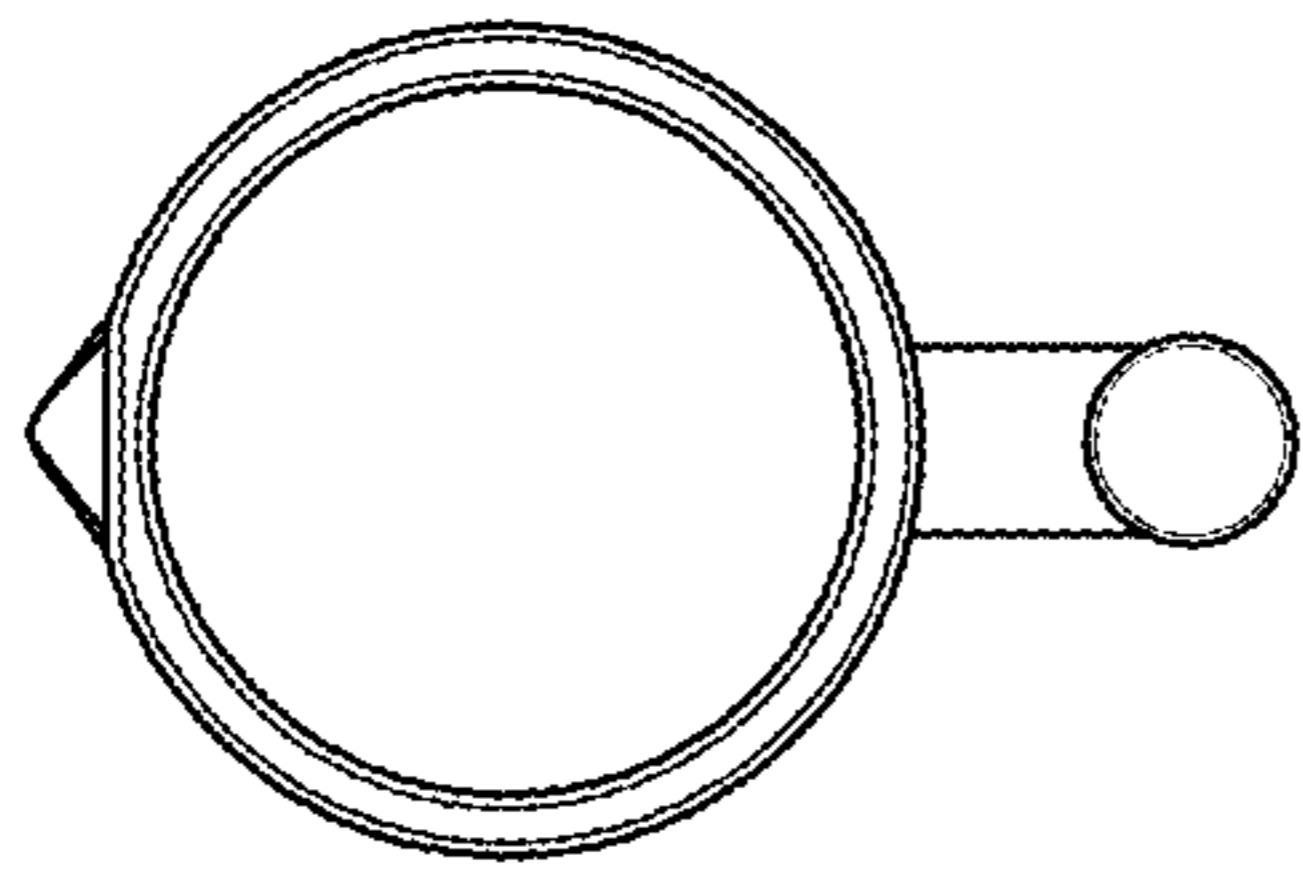


Fig. 5

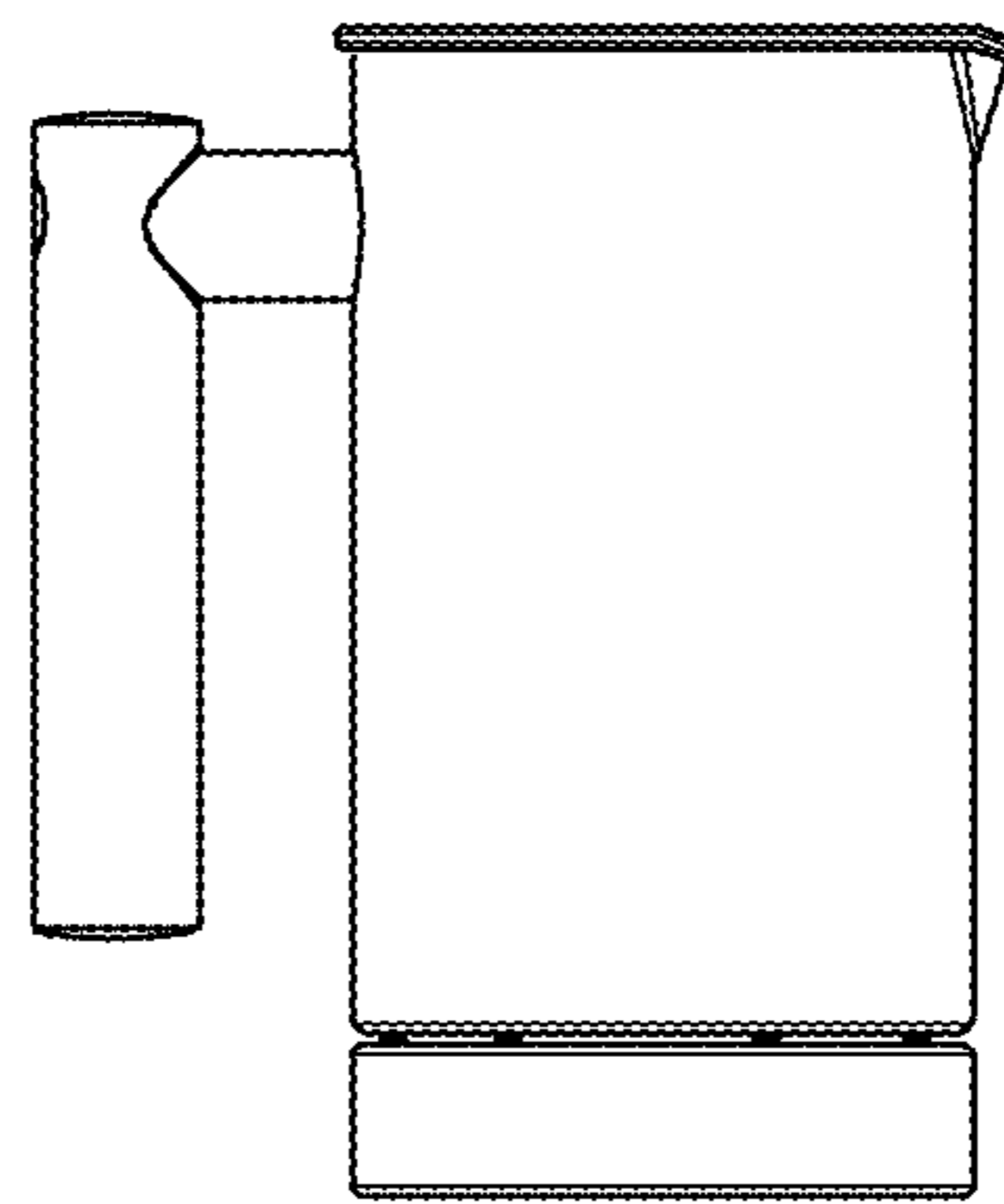


Fig. 6

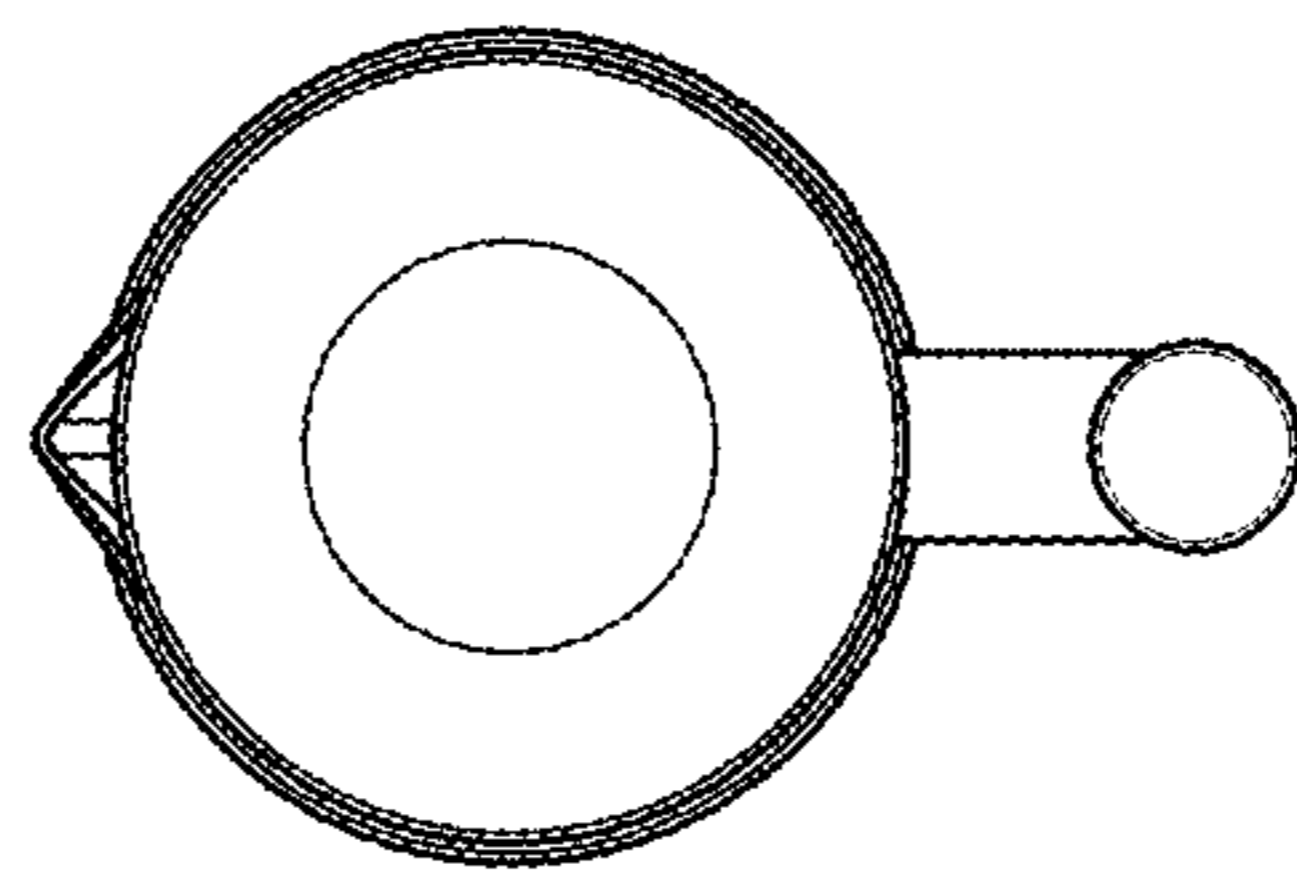


Fig. 7