



US00D792735S

(12) **United States Design Patent** (10) **Patent No.:** **US D792,735 S**
Henry (45) **Date of Patent:** **** Jul. 25, 2017**

(54) **BAKEWARE SET**

(71) Applicant: **Lifetime Brands, Inc.**, Garden City, NY (US)

(72) Inventor: **Lou Henry**, Scarsdale, NY (US)

(73) Assignee: **LIFETIME BRANDS, INC.**, Garden City, NY (US)

(**) Term: **15 Years**

(21) Appl. No.: **29/542,680**

(22) Filed: **Oct. 16, 2015**

(51) **LOC (10) Cl.** **07-02**

(52) **U.S. Cl.**
USPC **D7/357; D7/359**

(58) **Field of Classification Search**
USPC D3/272, 273, 302, 304, 309-315, 319, D3/901, 903, 904; D6/524, 532, 672, D6/683, 691, 704; D7/323, 331, 347, D7/354-359, 360, 362, 363, 387, 392.1, D7/391, 393-396, 402, 408, 409, 412, D7/505, 513, 538, 545, 550.1, D7/553.1-553.8, 554.1, 554.2, 555, 558, D7/561, 566, 584, 586, 587, 600.1, 600.4, D7/601, 602, 672-677; D9/414, D9/420-432, 456; D24/224, 227, 228, D24/229, 230; D30/133; 99/324, 325, 99/331, 332, 337-340, 369, 400-418, 99/422, 425, 444, 483; 425/338, 357, 425/409, 410, 422
CPC B65B 1/04; B65D 2501/24019; B65D 2501/24165; B65D 2501/24152; B65D 11/18; B65D 85/32; B65D 85/30; A47G 19/12; A47J 27/00; A47J 27/002; A47J 27/08; A47J 27/10; A47J 27/21; A47J 27/58; A47J 36/025; A47J 36/06; A47J 36/12; A47J 37/00; A47J 37/04; A47J 37/06; A47J 37/10; A47J 37/101; A47J 37/103; A47J 37/12; A47J 37/1204; A47J 41/0044; A47J 45/071; A47J 45/09; A47J 9/00; A47J 43/00

See application file for complete search history.

(56) **References Cited**

U.S. PATENT DOCUMENTS

D186,851 S * 12/1959 Reifers D7/357
D216,186 S * 12/1969 Edwards D9/456

(Continued)

OTHER PUBLICATIONS

Bakers Advantage Fillables Non-Stick Cake Cone Pan: Announced Jul. 17, 2016 [online], site visited Sep. 14, 2016. Available from Internet URL: https://www.amazon.com/Bakers-Advantage-Fillables-2-Piece-Non-Stick/product-reviews/B01BGQ9PD4/ref=cm_cr_ar_p_d_paging_btm_2?ie=UTF8&showViewpoints=1&sortBy=recent&pageNumber=2.*

(Continued)

Primary Examiner — Thomas Johannes
Assistant Examiner — Catherine Posthauer
(74) *Attorney, Agent, or Firm* — Tutunjian & Bitetto, P.C.

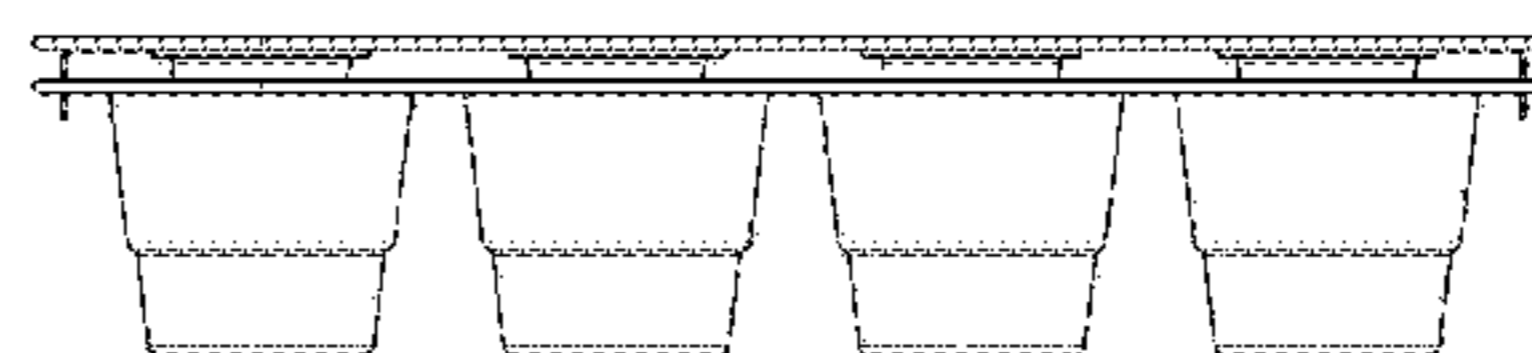
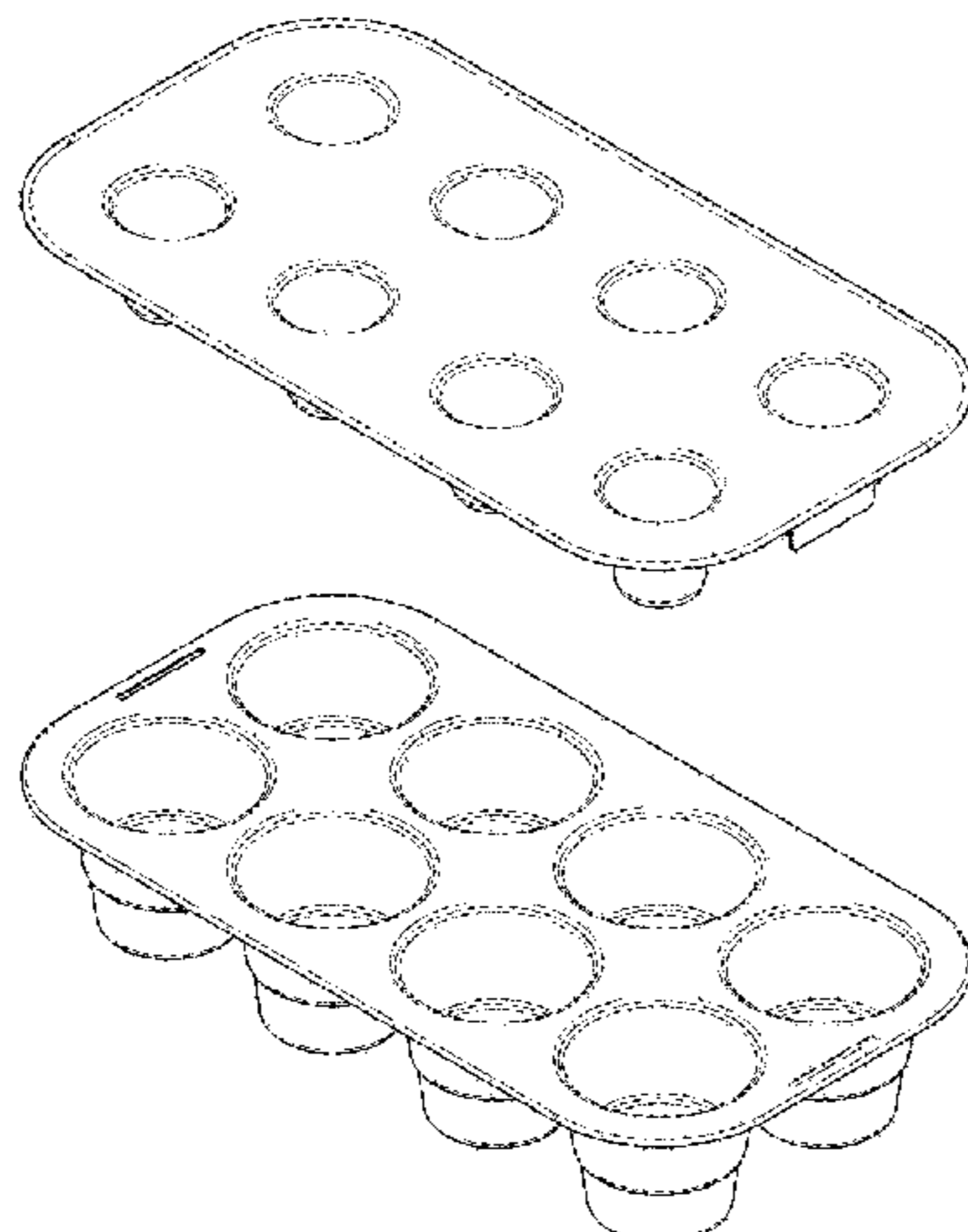
(57) **CLAIM**

The ornamental design for bakeware set, as shown and described.

DESCRIPTION

FIG. 1 is a perspective view of the bakeware set parts separated showing my new design;
FIG. 2 is a perspective view thereof not separated;
FIG. 3 is a top view thereof;
FIG. 4 is bottom view thereof;
FIG. 5 is a left side view thereof;
FIG. 6 is a right side view thereof;
FIG. 7 is a front view thereof; and,
FIG. 8 is a rear view thereof.
The broken lines are shown for illustration purposes only and form no part of the claim.
The broken lines are shown for the purpose of illustrating parts of the bakeware set that form no part of the claim.

1 Claim, 8 Drawing Sheets



(56)

References Cited

U.S. PATENT DOCUMENTS

4,595,120 A * 6/1986 Logan A21B 3/13
220/573.1
D333,093 S * 2/1993 Rehrig D3/314
D420,743 S * 2/2000 Monks D24/224
D469,653 S * 2/2003 Cooper D7/357
D488,952 S * 4/2004 Cubillos D7/357
D492,539 S * 7/2004 Henry D7/357
D553,902 S * 10/2007 Barber D7/357
D558,512 S * 1/2008 Levy D7/357
D579,264 S * 10/2008 Simon D7/357
D596,444 S * 7/2009 Harvey D7/354
D596,758 S * 7/2009 Constable D24/230
D597,370 S * 8/2009 Watkins D7/354
D599,613 S * 9/2009 Courington D7/357
D616,266 S * 5/2010 Kulzer D7/701
D616,268 S * 5/2010 Kulzer D7/701
D622,860 S * 8/2010 Karpiloff D24/230
D628,306 S * 11/2010 Blanc D24/230
D650,636 S * 12/2011 Roth D7/600.1
D653,856 S * 2/2012 Lowe D3/313
D656,363 S * 3/2012 Tiemann D7/600.1
D689,327 S * 9/2013 Ortegon D7/354
D695,078 S * 12/2013 Hertaus D7/600.1
D699,084 S * 2/2014 Miller D7/701
D699,371 S * 2/2014 Williams D24/230

D702,499 S * 4/2014 Zemel D7/409
D709,323 S * 7/2014 Brown D7/213
D712,205 S * 9/2014 Yoder D7/600.1
D736,403 S * 8/2015 Hudson D24/216
D739,680 S * 9/2015 Smeja D24/230
D745,312 S * 12/2015 Lovgren D7/354
D761,654 S * 7/2016 Puig D9/456
2002/0078833 A1 * 6/2002 Sloan A21B 3/132
99/426
2005/0170498 A1 * 8/2005 Dolley B01L 3/5085
435/288.4
2013/0099649 A1 * 4/2013 Snyder A47J 31/4425
312/348.3
2015/0173564 A1 * 6/2015 Yung A47J 36/025
428/220

OTHER PUBLICATIONS

Bakers Advantage Fillables Non-Stick Cake Cone Pan [Enlargement View]: Announced Jul. 17, 2016 [online], site visited Sep. 14, 2016. Available from Internet URL: https://www.amazon.com/Bakers-Advantage-Fillables-2-Piece-Non-Stick/product-reviews/B01BGQ9PD4/ref=cm_cr_arp_d_paging_btm_ne=UTF8&showViewpoints=1&sortBy=recent&pageNumber=2.

* cited by examiner

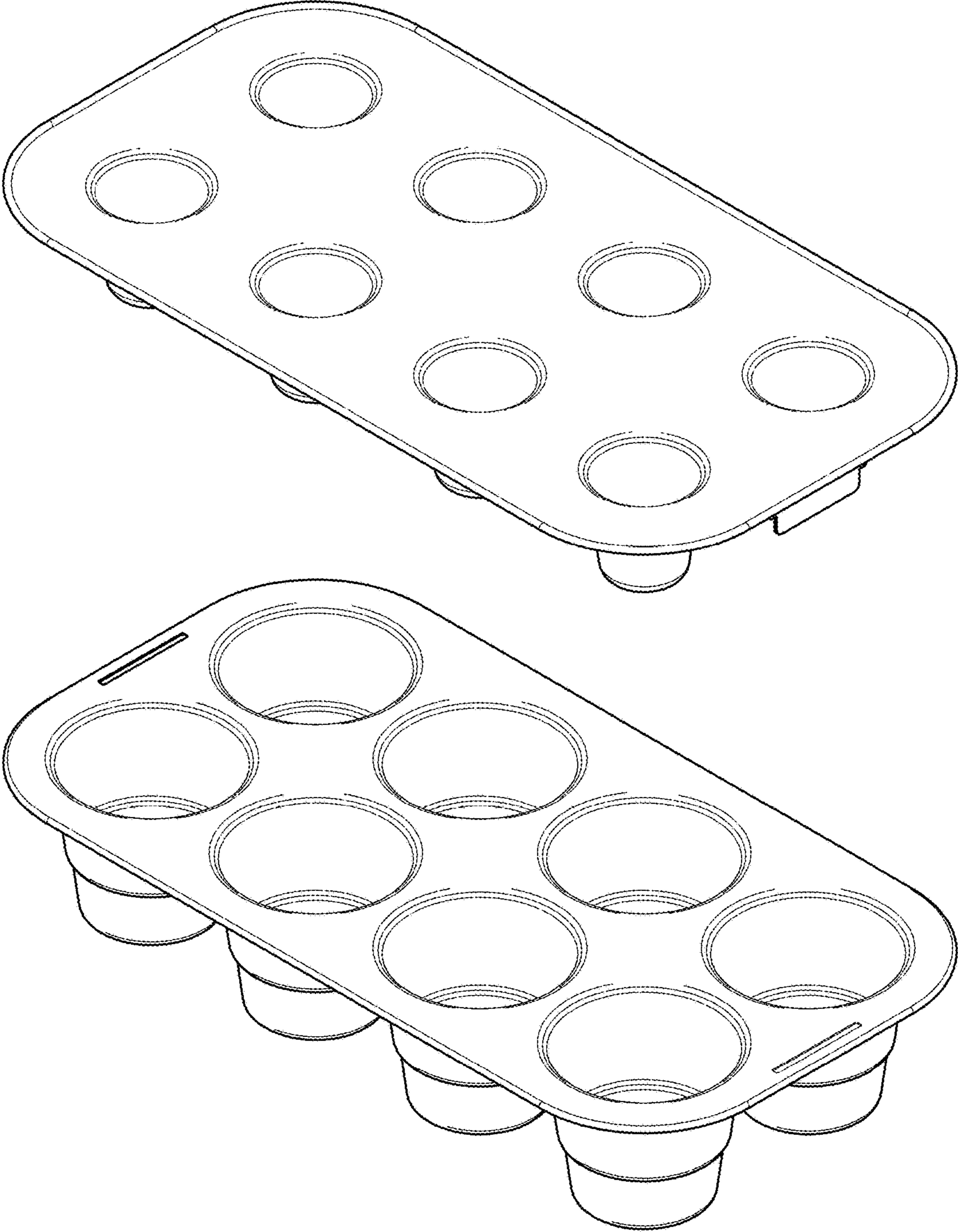


FIG. 1

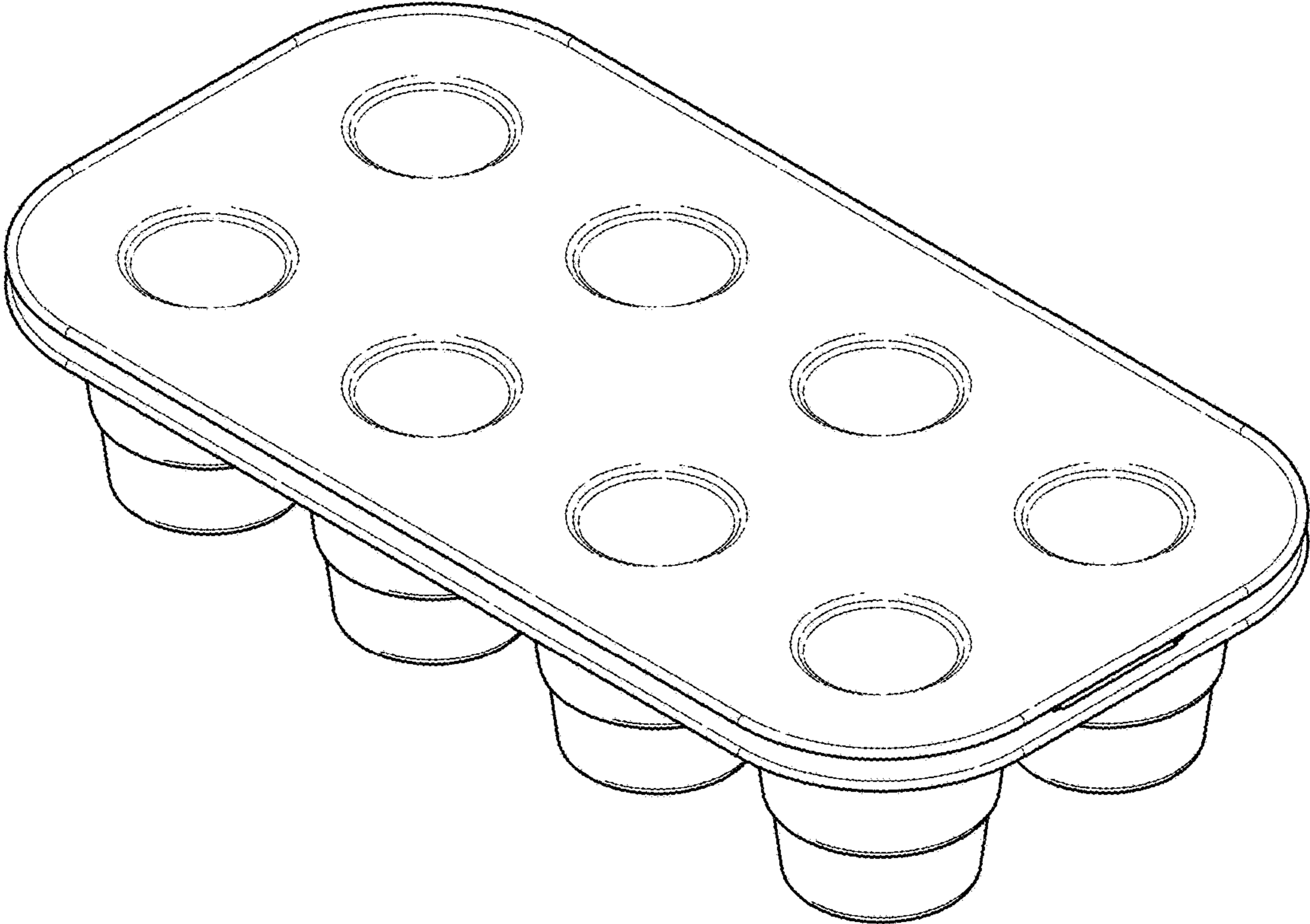


FIG. 2

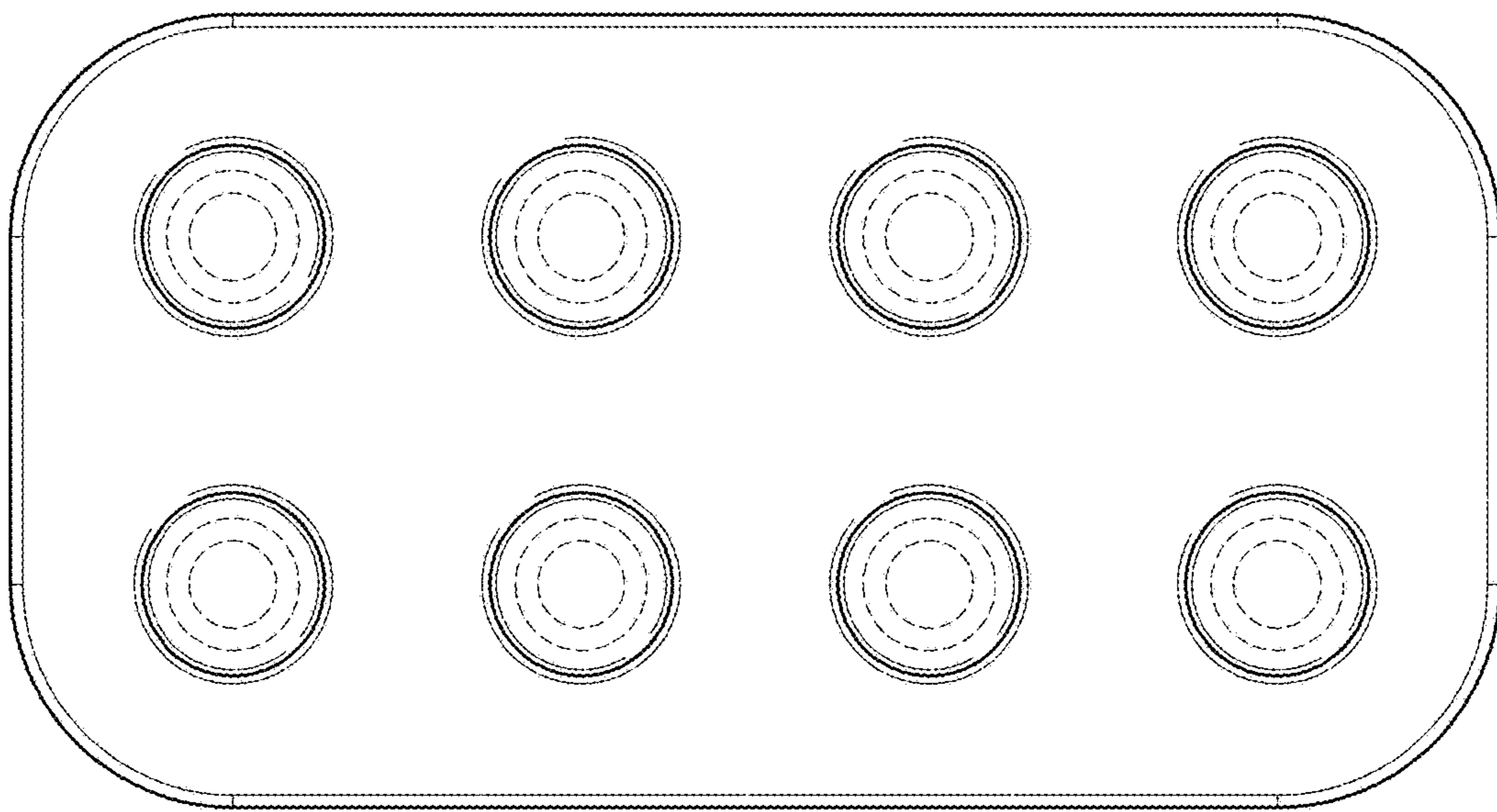


FIG. 3

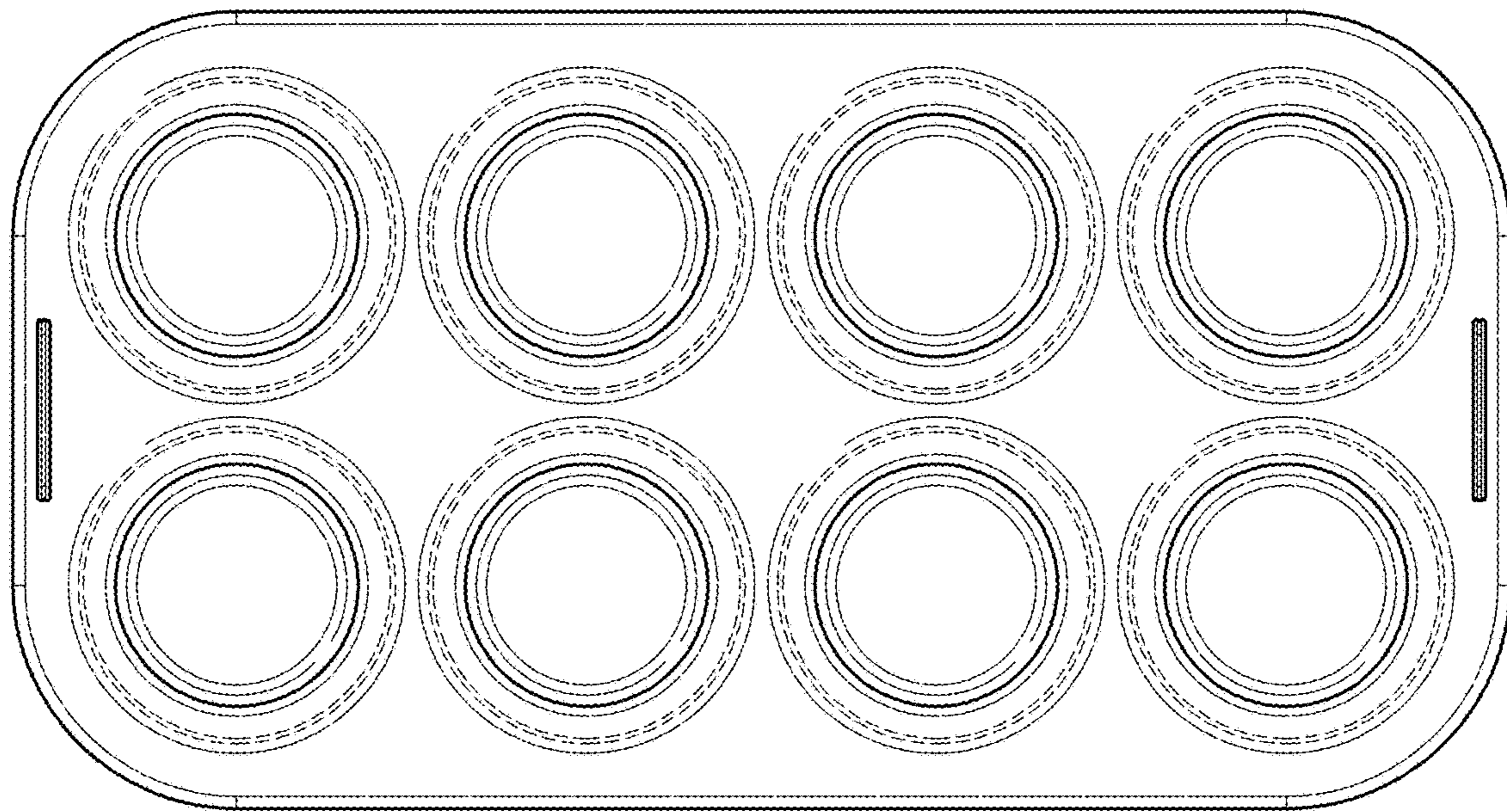


FIG. 4

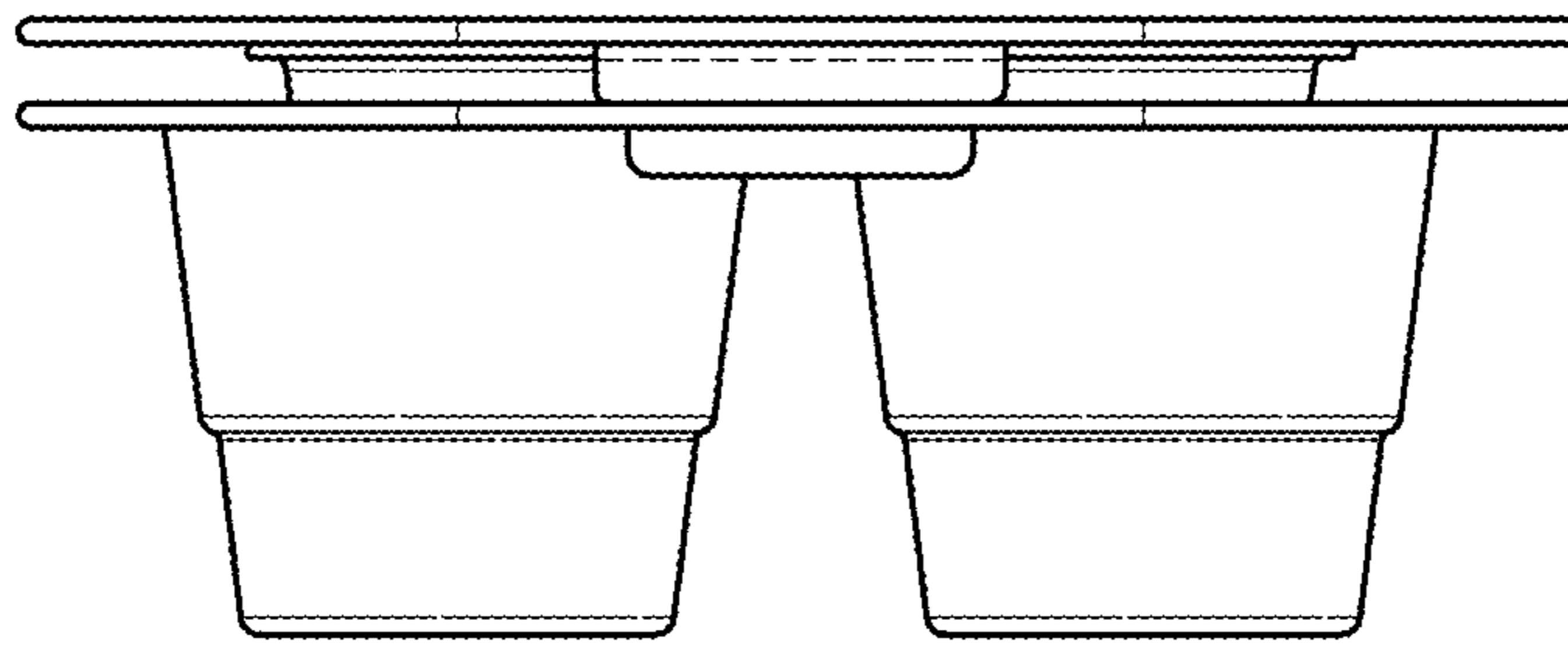


FIG. 5

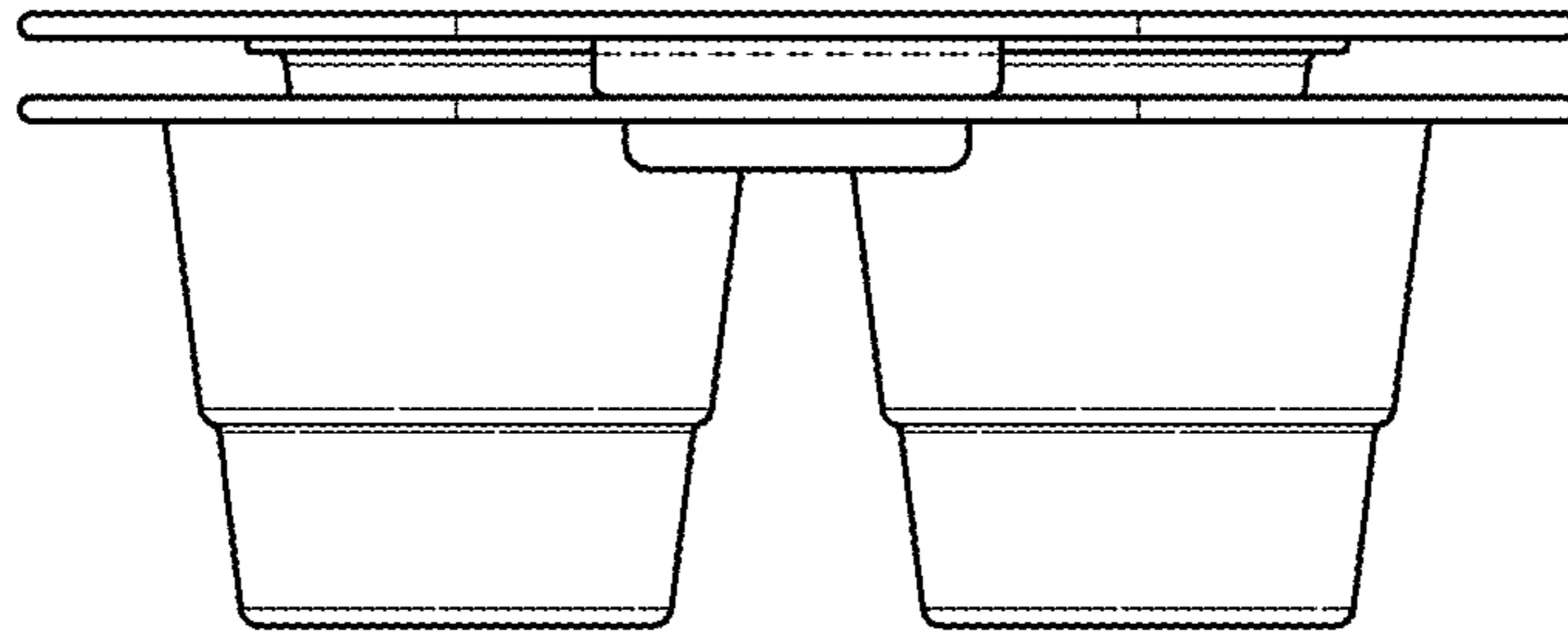


FIG. 6

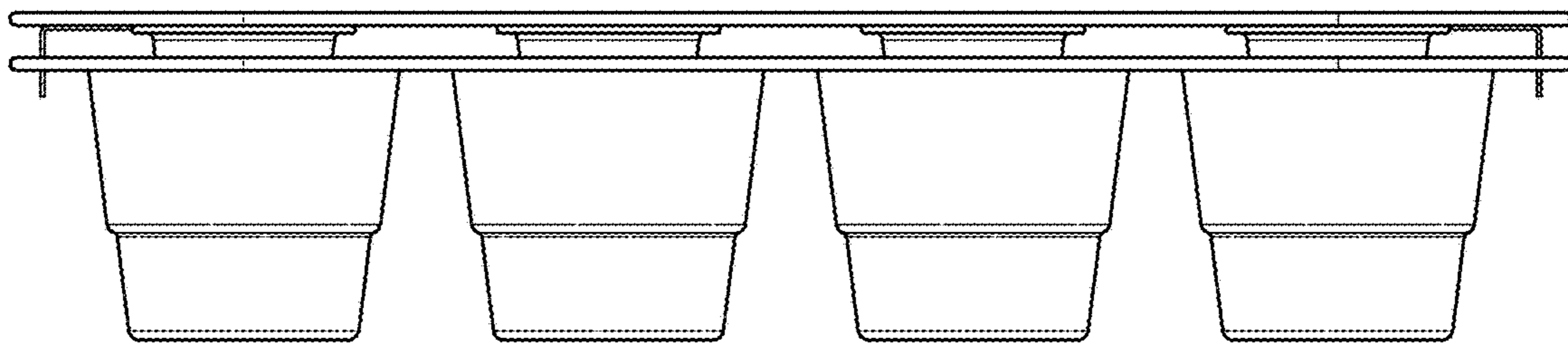


FIG. 7

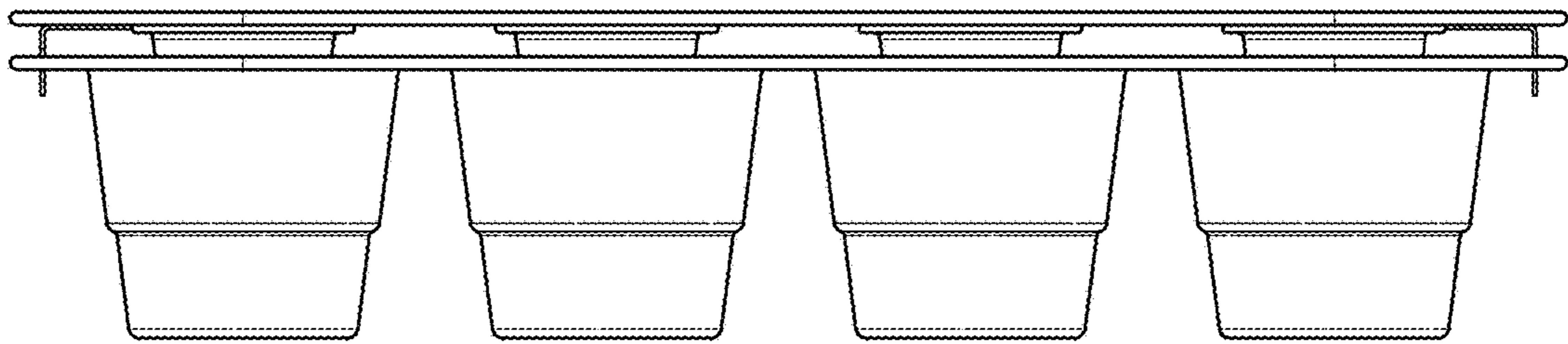


FIG. 8