



US00D792733S

(12) **United States Design Patent**
Benson et al.

(10) **Patent No.:** **US D792,733 S**

(45) **Date of Patent:** **** Jul. 25, 2017**

(54) **FOOD GRILL**

(71) Applicant: **Home Fires Inc.**, Rockford, IL (US)

(72) Inventors: **Jaron H. Benson**, Rockford, IL (US);
Sean S. Benson, Rockford, IL (US)

(**) Term: **15 Years**

(21) Appl. No.: **29/561,824**

(22) Filed: **Apr. 20, 2016**

(51) **LOC (10) Cl.** **07-02**

(52) **U.S. Cl.**
USPC **D7/334**

(58) **Field of Classification Search**
USPC D7/213, 323, 324, 325, 326, 327, 328,
D7/329, 330, 331, 332, 333, 334, 335,
D7/336, 337, 402, 404, 405, 406, 407
CPC A47J 33/00; A47J 37/04; A47J 37/041;
A47J 37/07-37/0713; A47J
37/0718-37/0727; A47J 37/0731-37/074;
A47J 2037/0777; A47J 37/0781

See application file for complete search history.

(56) **References Cited**

U.S. PATENT DOCUMENTS

D687,667 S *	8/2013	Chien	D7/334
D688,082 S *	8/2013	Crick	D7/334
D712,191 S *	9/2014	Chung	D7/334
D717,097 S *	11/2014	Lin	D7/334
D737,092 S *	8/2015	Lin	D7/334
D744,775 S *	12/2015	Yang	D7/334

D747,909 S *	1/2016	Simms, II	D7/332
D753,430 S *	4/2016	Wagner	D7/334
2008/0121118 A1 *	5/2008	Sikes	A47J 37/07 99/447
2008/0229937 A1 *	9/2008	Stephen	A47J 37/07 99/421 R
2010/0132689 A1 *	6/2010	Contarino, Jr.	A47J 37/067 126/25 B
2013/0112088 A1 *	5/2013	May	A47J 37/07 99/421 H
2014/0318524 A1 *	10/2014	Measom	A47J 37/0704 126/25 R

* cited by examiner

Primary Examiner — Manpreet Matharu
Assistant Examiner — Suzanne Tisdell

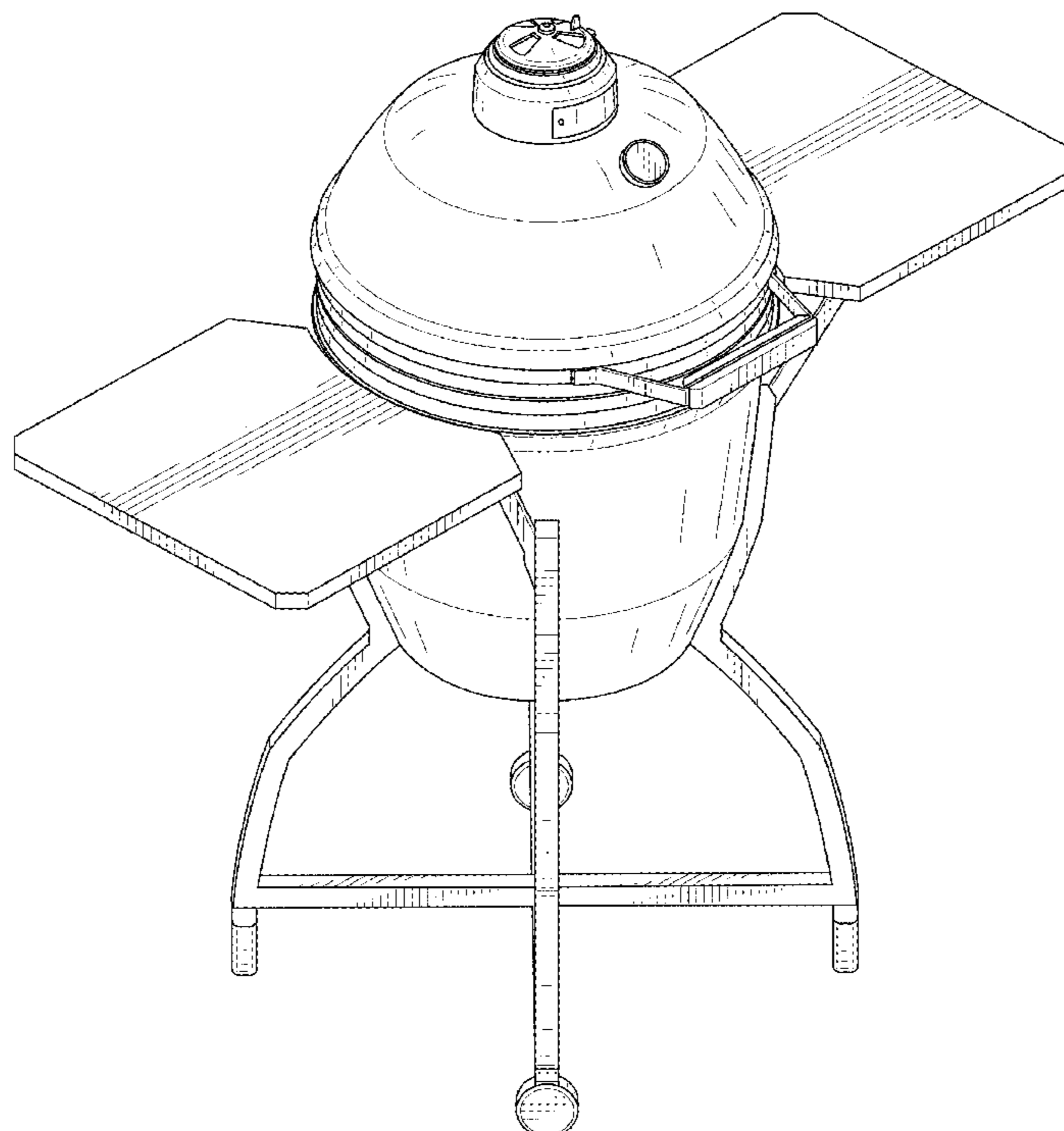
(57) **CLAIM**

The ornamental design for a food grill, as shown and described.

DESCRIPTION

FIG. 1 is a perspective view of a food grill showing the new design;
FIG. 2 is a front view of the food grill of FIG. 1;
FIG. 3 is a rear view of the food grill of FIG. 1;
FIG. 4 is a side view of the food grill of FIG. 1;
FIG. 5 is a side view of the food grill of FIG. 1;
FIG. 6 is a top view of the food grill of FIG. 1; and,
FIG. 7 is a bottom view of the food grill of FIG. 1.

1 Claim, 6 Drawing Sheets



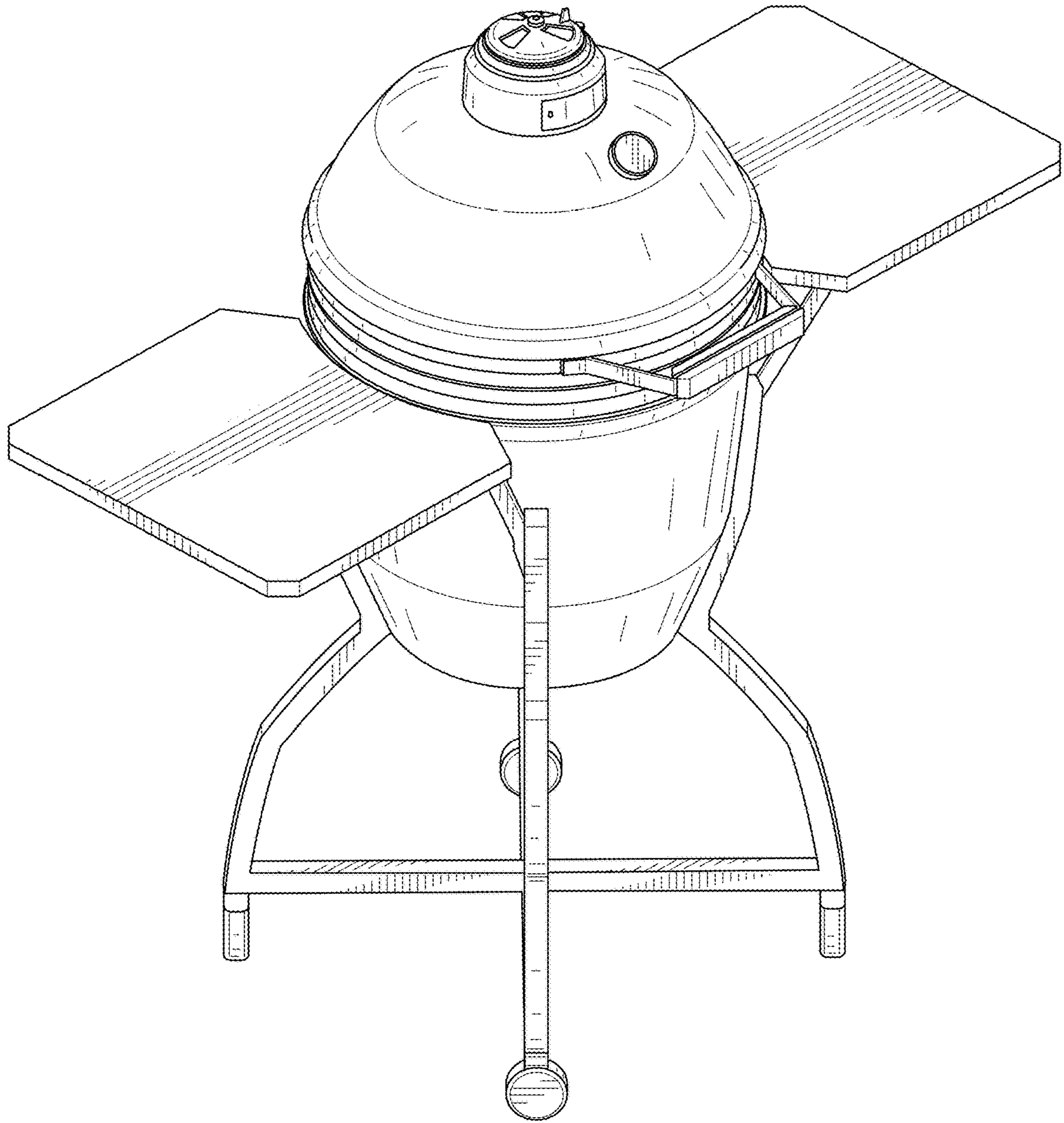


FIG. 1

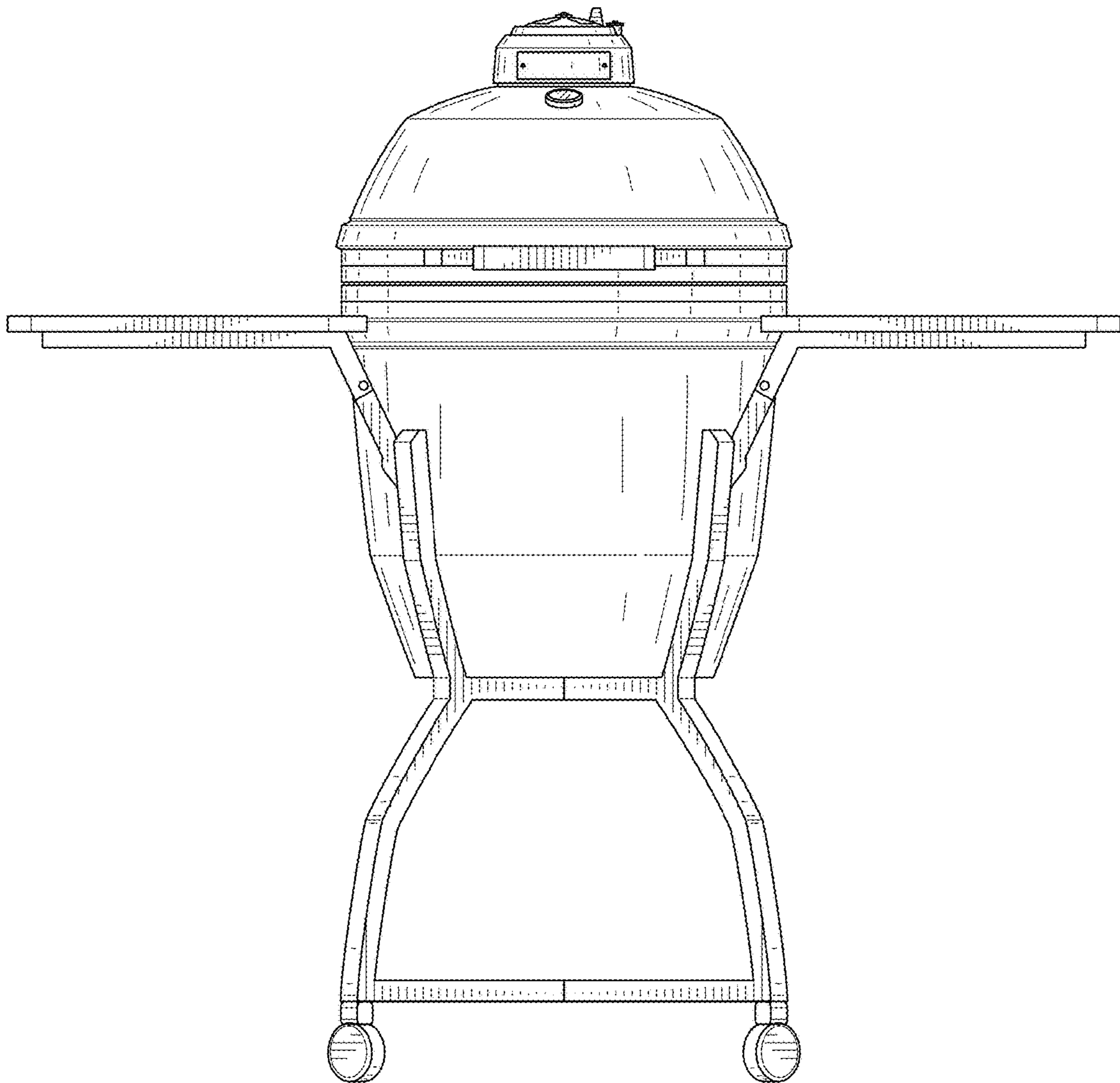


FIG. 2

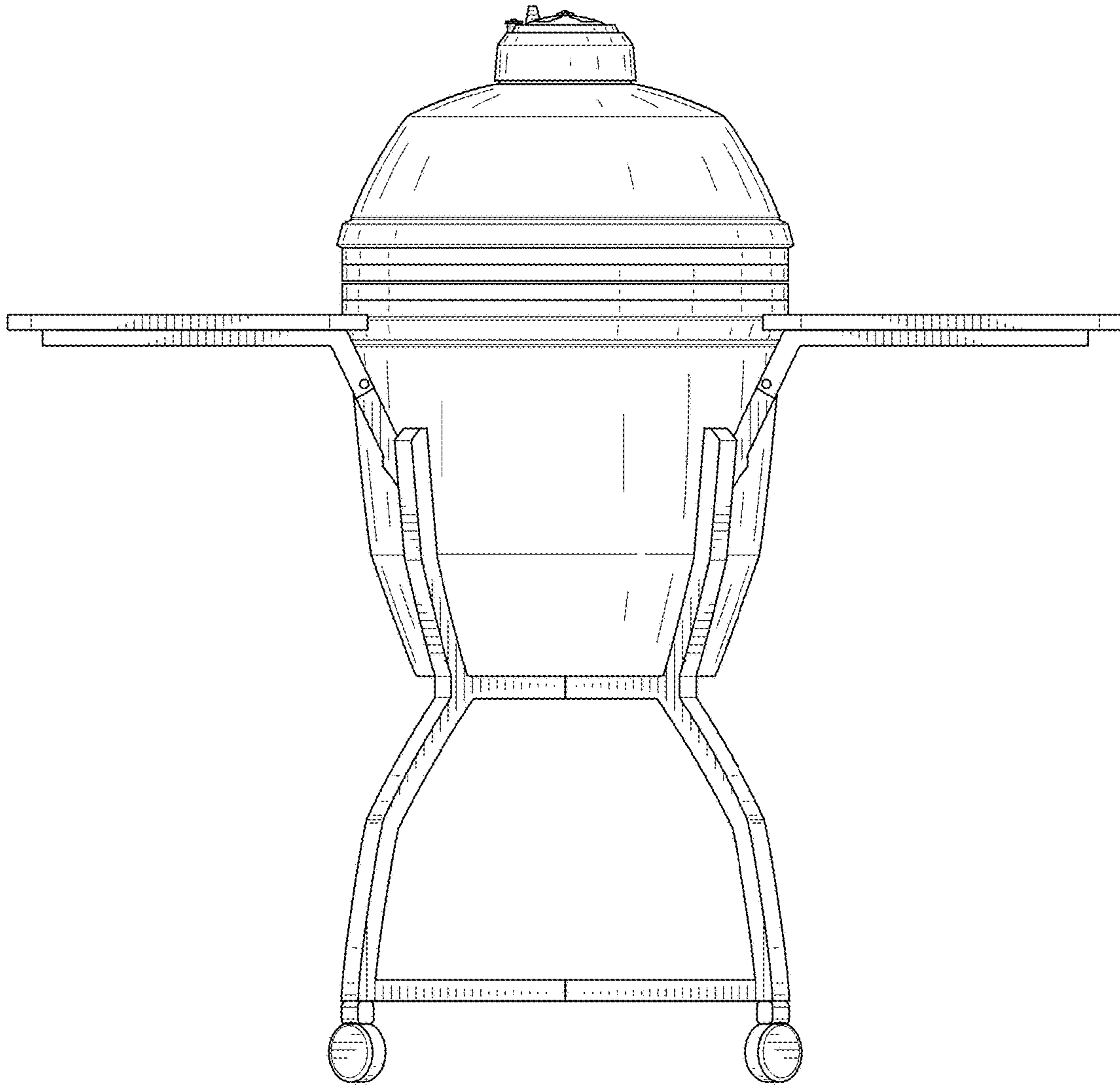


FIG. 3

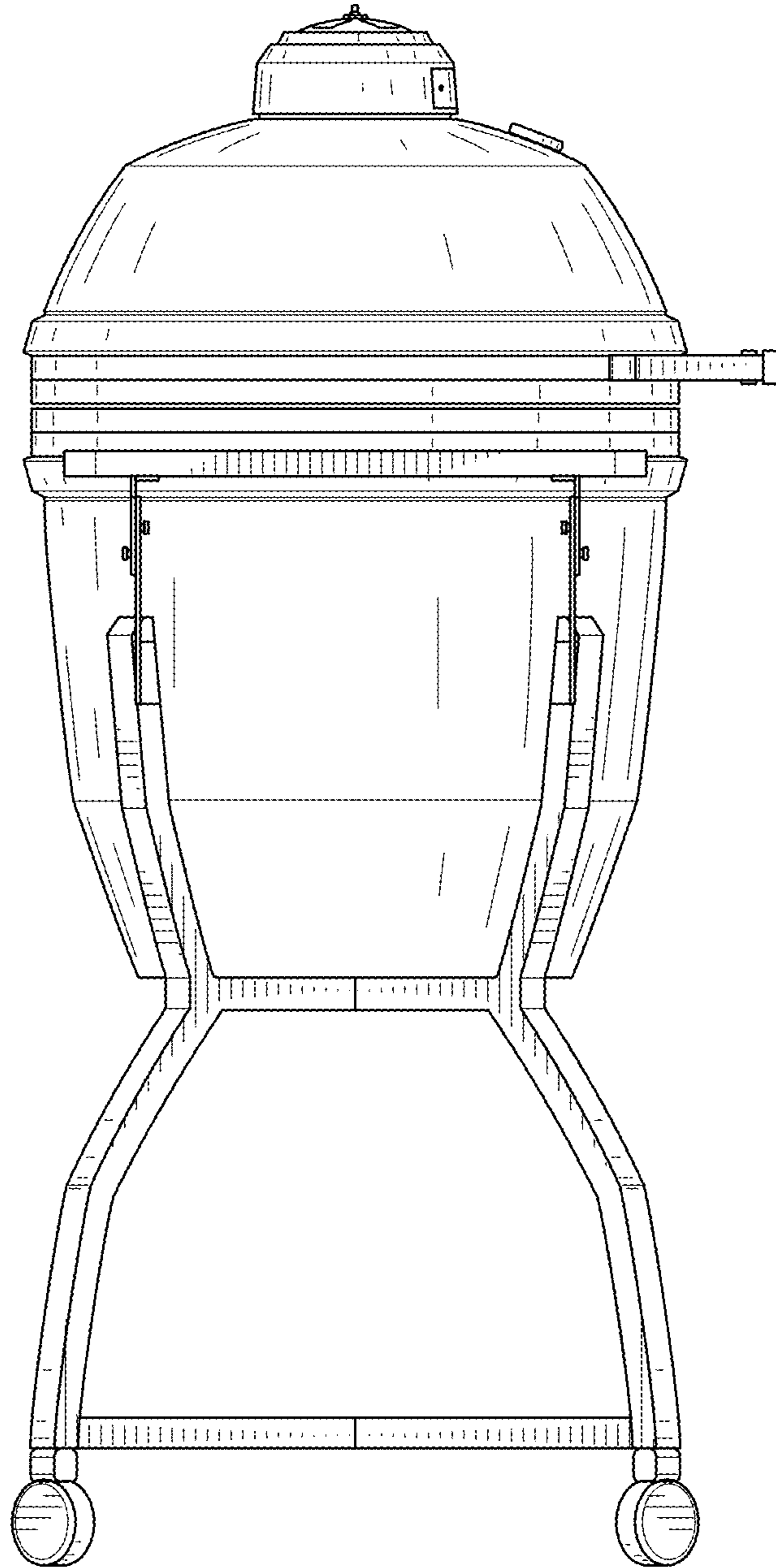


FIG. 4

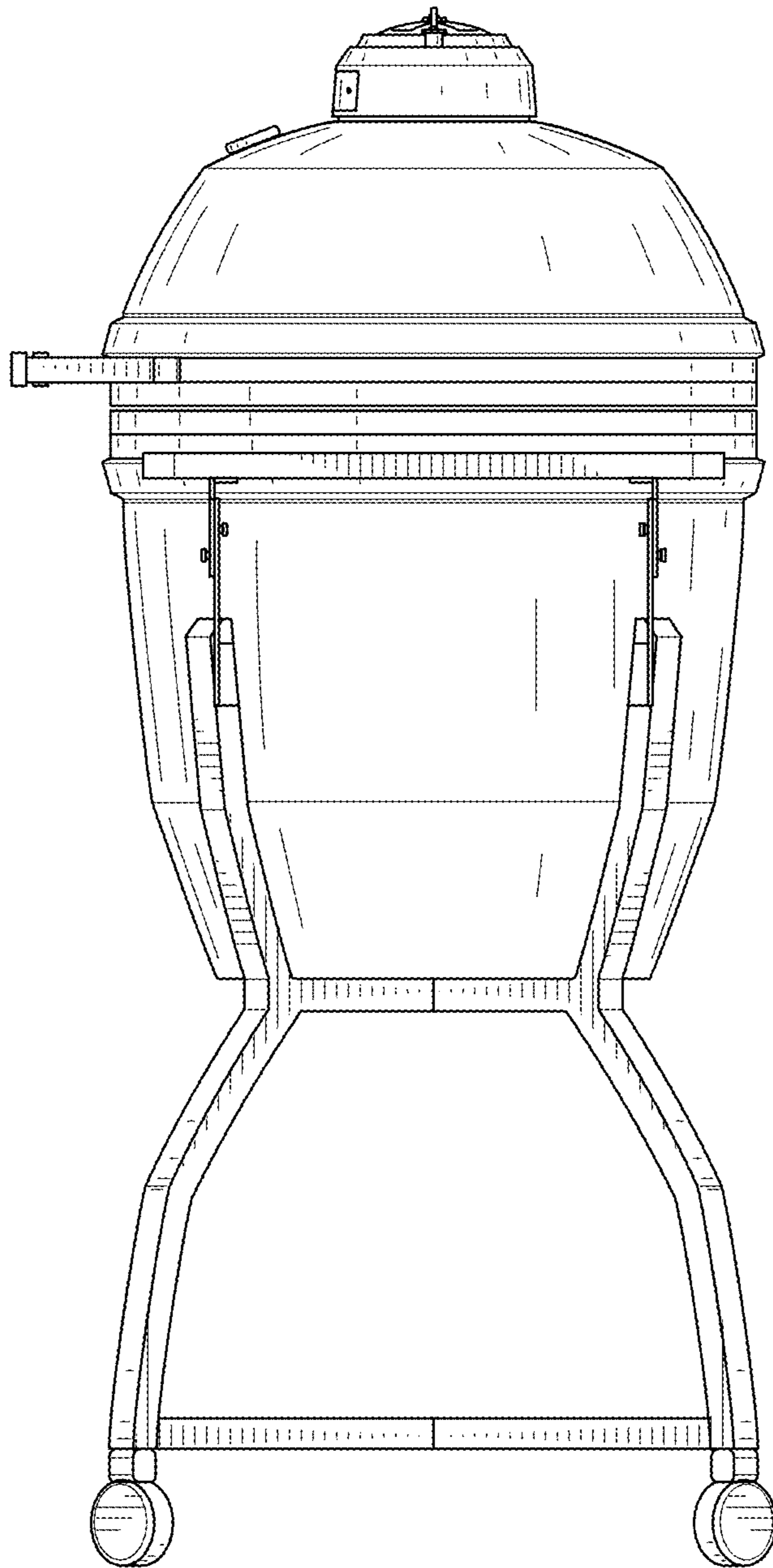


FIG. 5

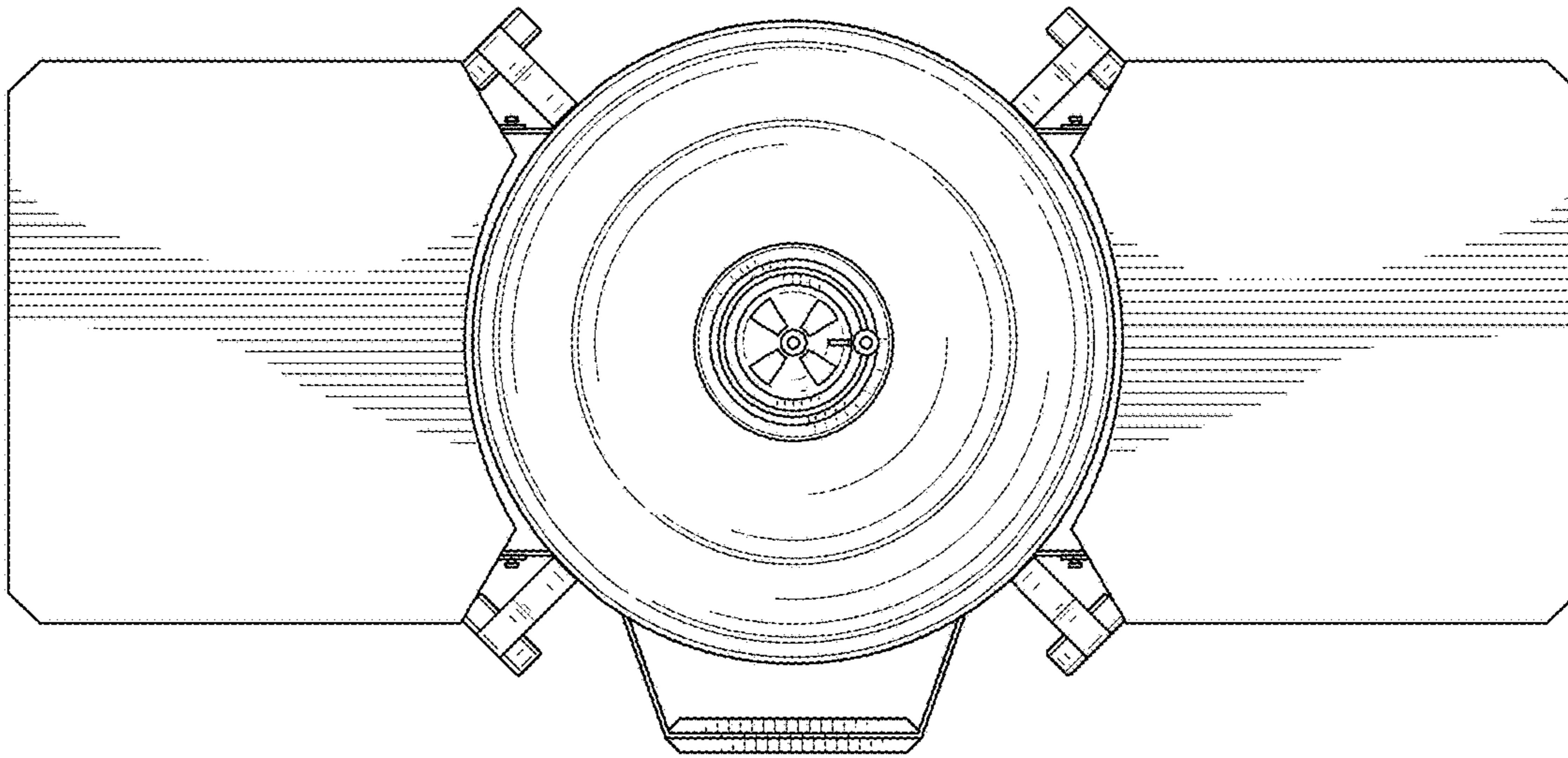


FIG. 6

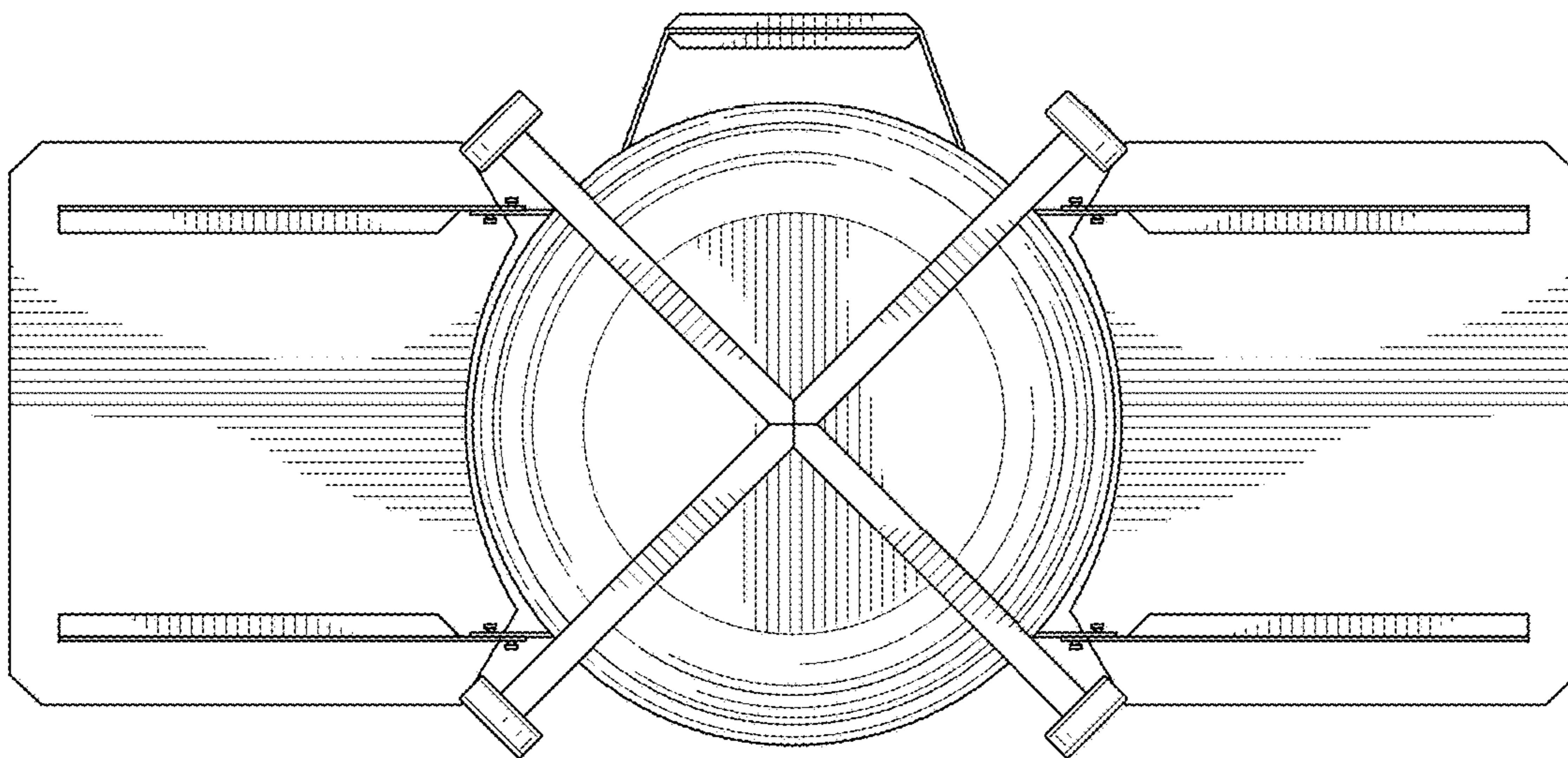


FIG. 7