



US00D792732S

(12) **United States Design Patent**
Kamil

(10) **Patent No.:** **US D792,732 S**
(45) **Date of Patent:** **** Jul. 25, 2017**

- (54) **BREWING TANK**
- (71) Applicant: **GranMalt AG**, Freising-Attaching (DE)
- (72) Inventor: **Gerhard Kamil**, Freising-Attaching (DE)
- (73) Assignee: **GRANMALT AG**, Freising (DE)
- (**) Term: **15 Years**
- (21) Appl. No.: **29/560,437**
- (22) Filed: **Apr. 6, 2016**

Related U.S. Application Data

- (62) Division of application No. 29/507,685, filed on Oct. 30, 2014, now Pat. No. Des. 764,217.

Foreign Application Priority Data

- Apr. 30, 2014 (EM) 002456533-0001
- Apr. 30, 2014 (EM) 002456533-0002
- Apr. 30, 2014 (EM) 002456533-0003
- Apr. 30, 2014 (EM) 002456533-0004
- Apr. 30, 2014 (EM) 002456533-0005

- (51) **LOC (10) Cl.** **07-01**
- (52) **U.S. Cl.**

USPC **D7/313**; D34/39; D7/334

(58) **Field of Classification Search**

USPC D7/306-311, 305, 300, 397, 334, 313,
D7/312; 99/279, 284, 290, 280, 299,
99/307, 297; D34/39; 220/567

CPC .. A47J 31/44; A47J 31/00; A47J 31/46; A47J
31/10; B67D 3/0029

See application file for complete search history.

(56) **References Cited**

U.S. PATENT DOCUMENTS

- 3,971,304 A * 7/1976 Cvitkovich A47J 31/50
99/291
- D324,149 S * 2/1992 Beeren D7/300

- D356,713 S * 3/1995 Groover D7/306
- 6,349,906 B1 * 2/2002 Anderson B67D 3/0029
248/146
- D474,365 S * 5/2003 Valentino D7/300
- 6,578,802 B1 * 6/2003 Thier B67D 3/0029
248/146
- 6,776,378 B1 * 8/2004 Yu A47B 73/00
211/74
- 7,097,072 B2 * 8/2006 Tan B67D 1/0009
222/189.06
- D528,344 S * 9/2006 Mika D7/307
- 7,350,671 B2 * 4/2008 Mika B67D 3/0009
222/129
- D583,185 S * 12/2008 Rutter D7/334
- D685,599 S * 7/2013 Miller D7/306
- D731,225 S * 6/2015 Peterson D7/306
- 2010/0212419 A1 * 8/2010 Radhakrishnan A47J 31/50
73/304 C
- 2011/0174342 A1 * 7/2011 Friedrich A47J 37/0704
134/105

* cited by examiner

Primary Examiner — Marianne Pandozzi

(74) *Attorney, Agent, or Firm* — Norton Rose Fulbright
US LLP

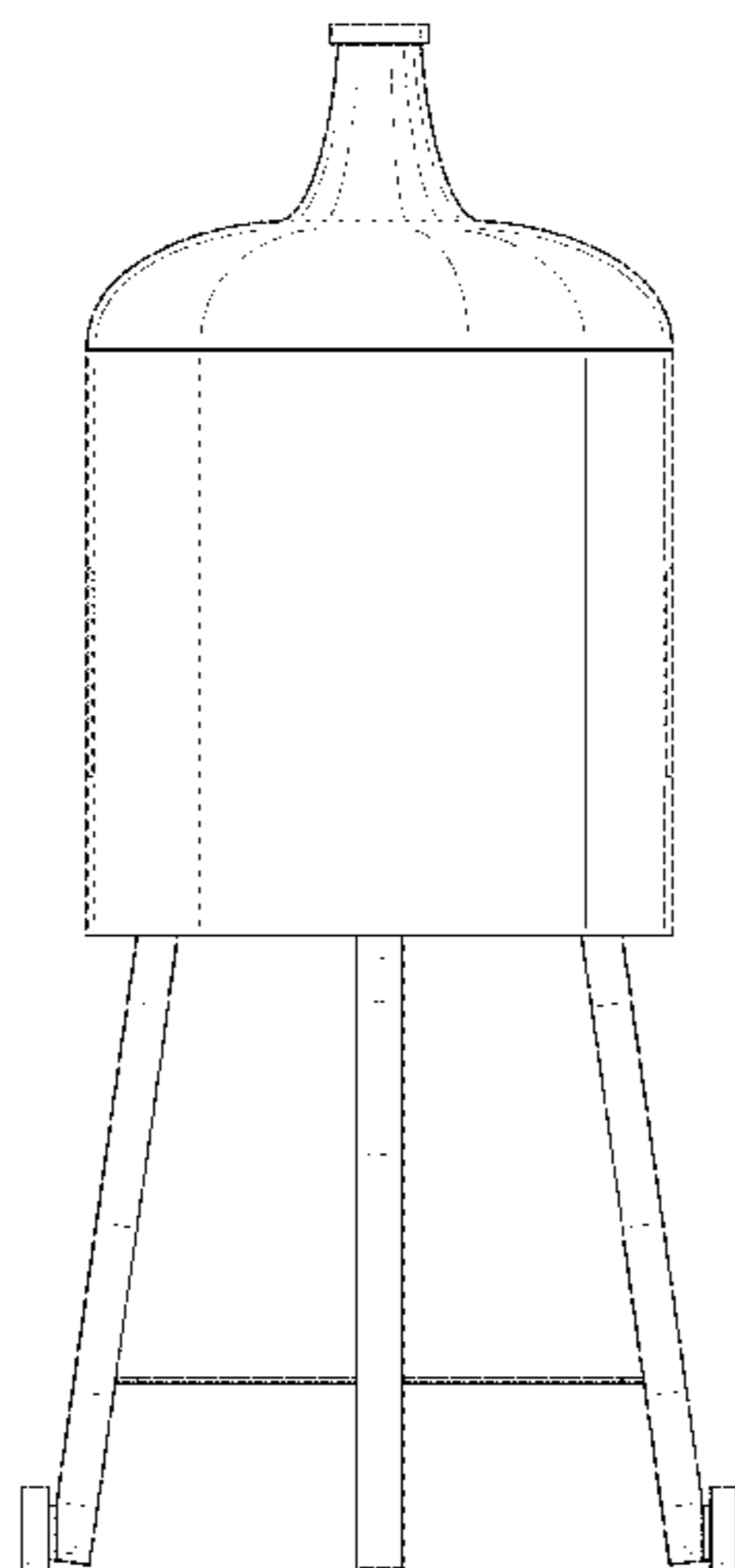
(57) **CLAIM**

The ornamental designs for a brewing tank, as shown and described.

DESCRIPTION

FIG. 1 is a front view of a brewing tank showing my new design;
FIG. 2 is a rear view of the brewing tank; and,
FIG. 3 is a top view of the brewing tank.
The broken lines in the drawing depict portions of the brewing tank that form no part of the claimed design.

1 Claim, 3 Drawing Sheets



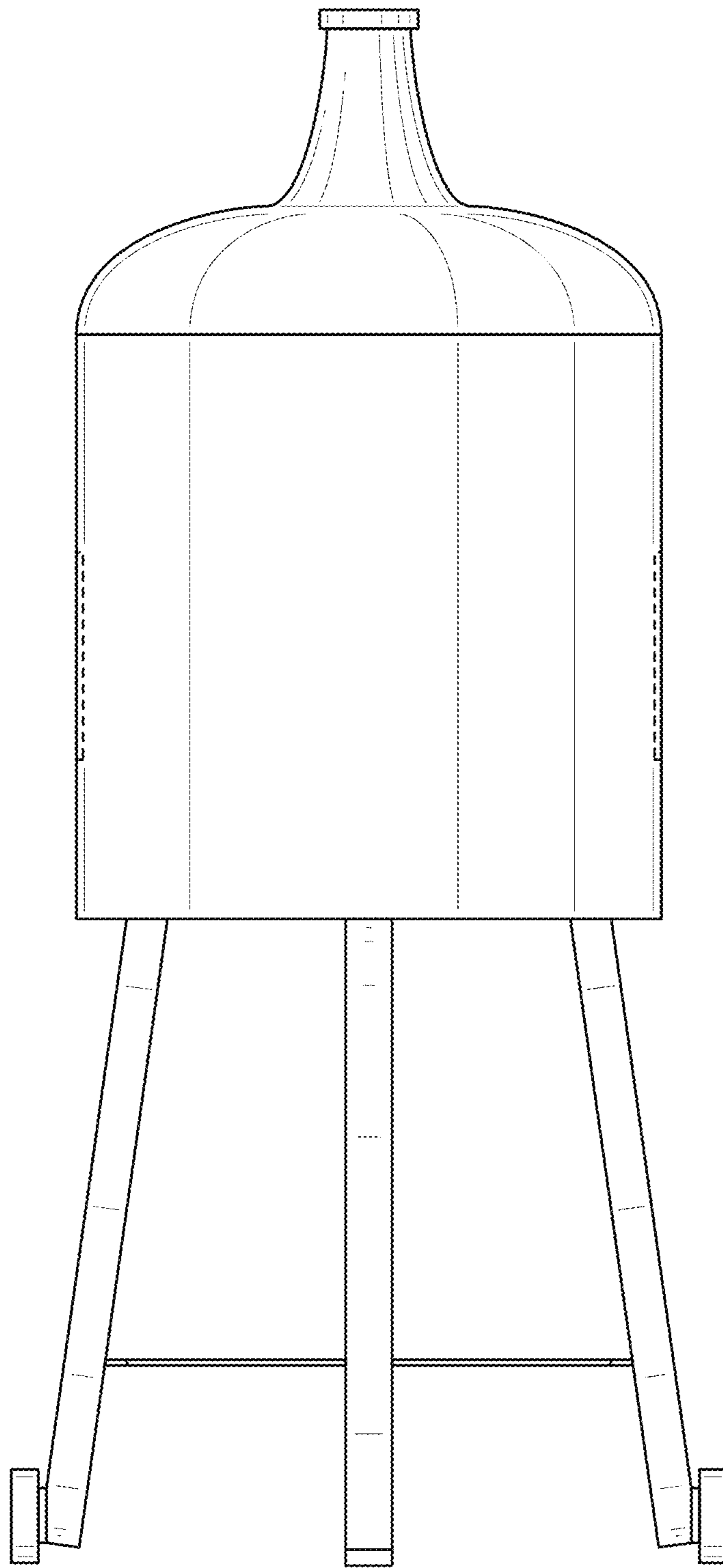


FIG. 1

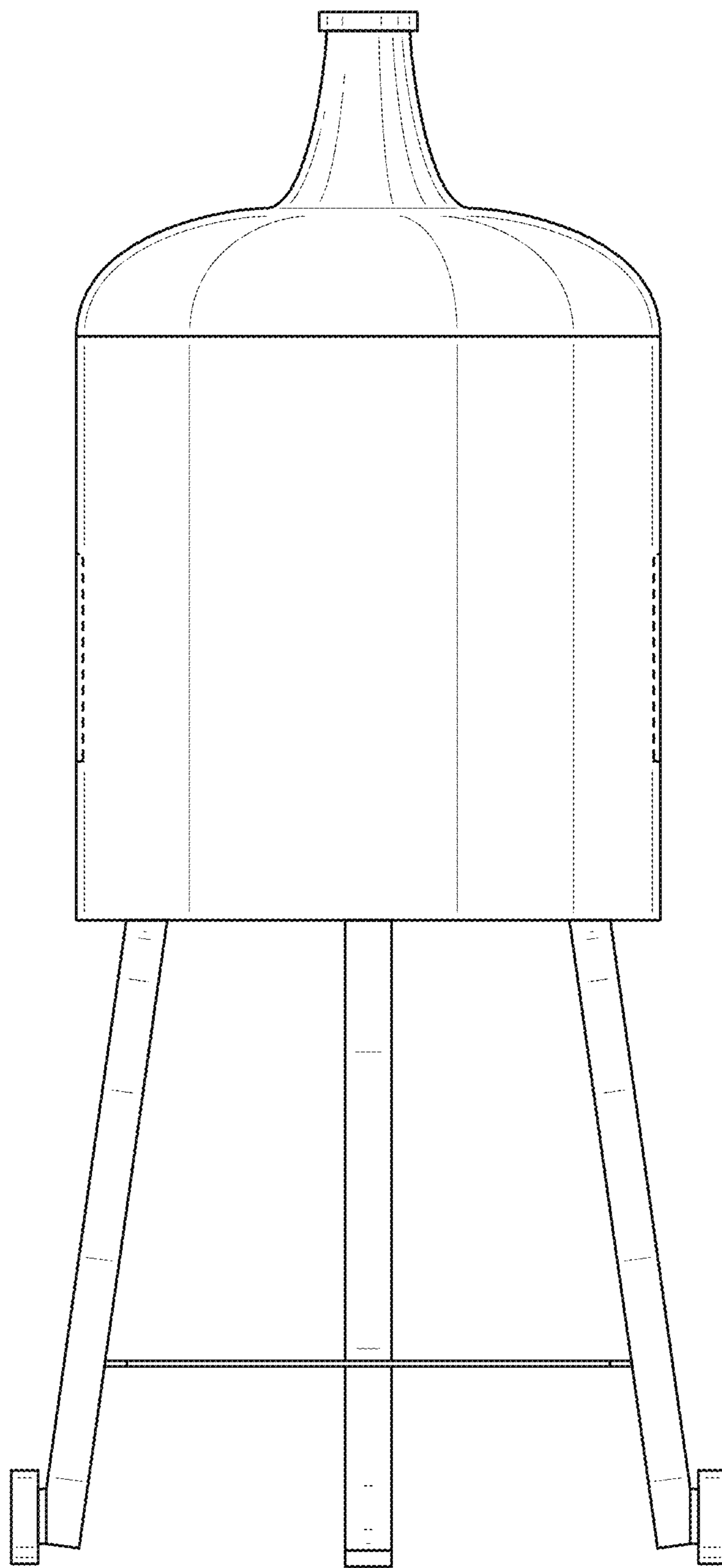


FIG. 2

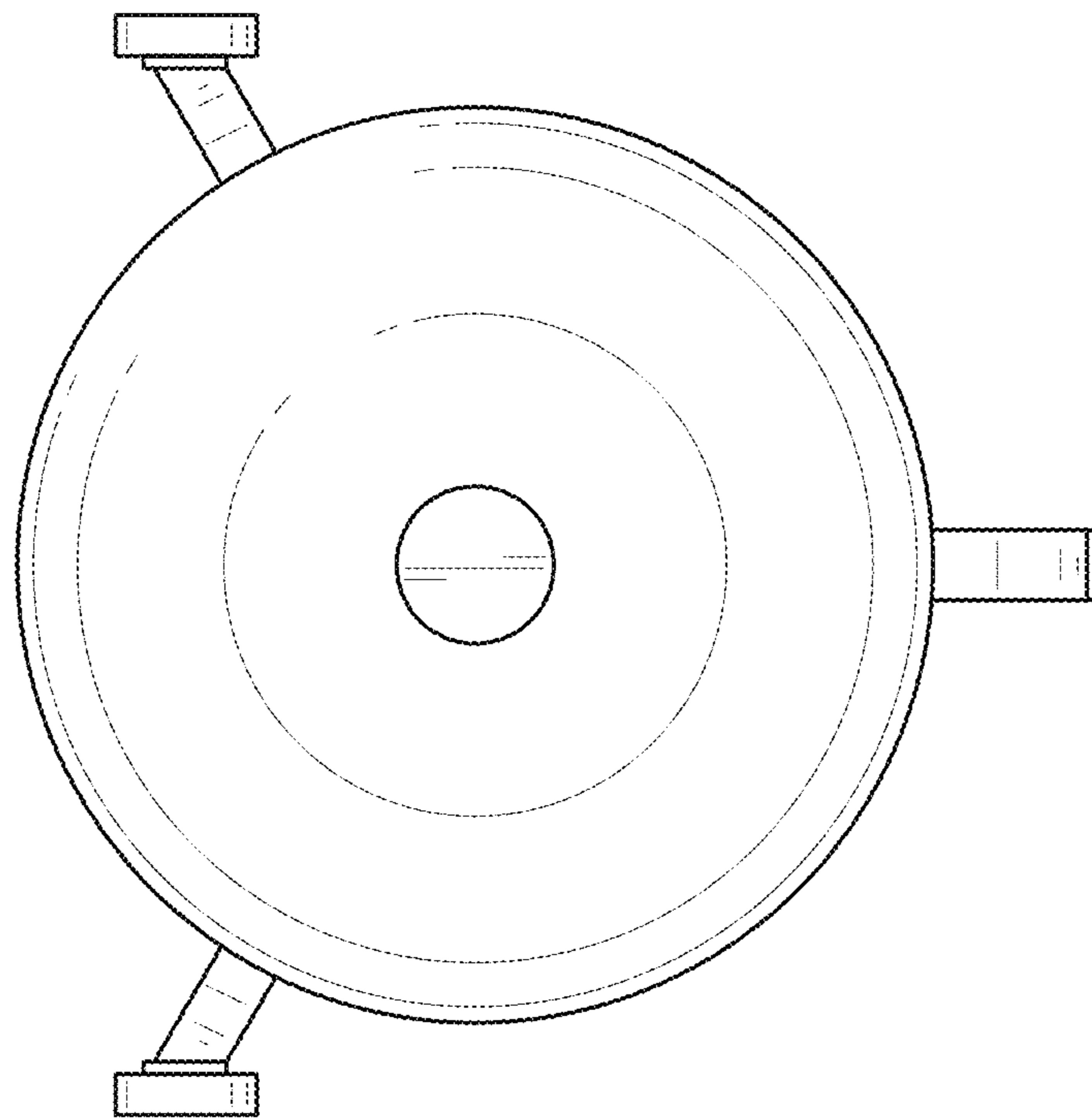


FIG. 3