



US00D792731S

(12) **United States Design Patent** (10) **Patent No.:** **US D792,731 S**
Palermo et al. (45) **Date of Patent:** **** Jul. 25, 2017**

(54) **HOT BEVERAGE MAKER**
(71) Applicant: **Sunbeam Products, Inc.**, Boca Raton, FL (US)
(72) Inventors: **Joseph Palermo**, Boynton Beach, FL (US); **Steven C. Cozzolino**, New York, FL (US); **Cody Stonerock**, Brooklyn, NY (US); **Peter Kristiansen**, Mendham, NJ (US)

D431,409 S * 10/2000 Man D7/309
D509,701 S * 9/2005 Lam D7/308
D545,110 S * 6/2007 Julemont D7/309
D561,514 S * 2/2008 Cortese D7/309
D585,691 S * 2/2009 Borin D7/309
D654,755 S * 2/2012 Gresko D7/307
D686,033 S * 7/2013 Burton D7/306
D730,101 S * 5/2015 De'Longhi D7/309
D742,159 S * 11/2015 Doria D7/309
D757,479 S * 5/2016 Steiner D7/309
D765,454 S * 9/2016 Romandy D7/309

(73) Assignee: **Sunbeam Products, Inc.**, Boca Raton, FL (US)

* cited by examiner

(**) Term: **15 Years**

Primary Examiner — Marianne Pandozzi

(21) Appl. No.: **29/568,946**

(74) *Attorney, Agent, or Firm* — Michael J. Corrigan

(22) Filed: **Jun. 22, 2016**

(51) **LOC (10) Cl.** **07-01**

(52) **U.S. Cl.**
USPC **D7/309; D7/311; D7/306**

(58) **Field of Classification Search**
USPC D7/305-311, 313; D15/82; 222/129.1, 222/146.6; 99/295
CPC A47J 31/44; A47J 31/4403; A47J 31/46; A47J 31/4482; A47J 31/369; A47J 31/407; B67D 1/36; B67D 2210/0065; B67D 1/0864

See application file for complete search history.

(56) **References Cited**

U.S. PATENT DOCUMENTS

D324,150 S * 2/1992 De Felip D7/309
D378,559 S * 3/1997 Guddefin D7/309

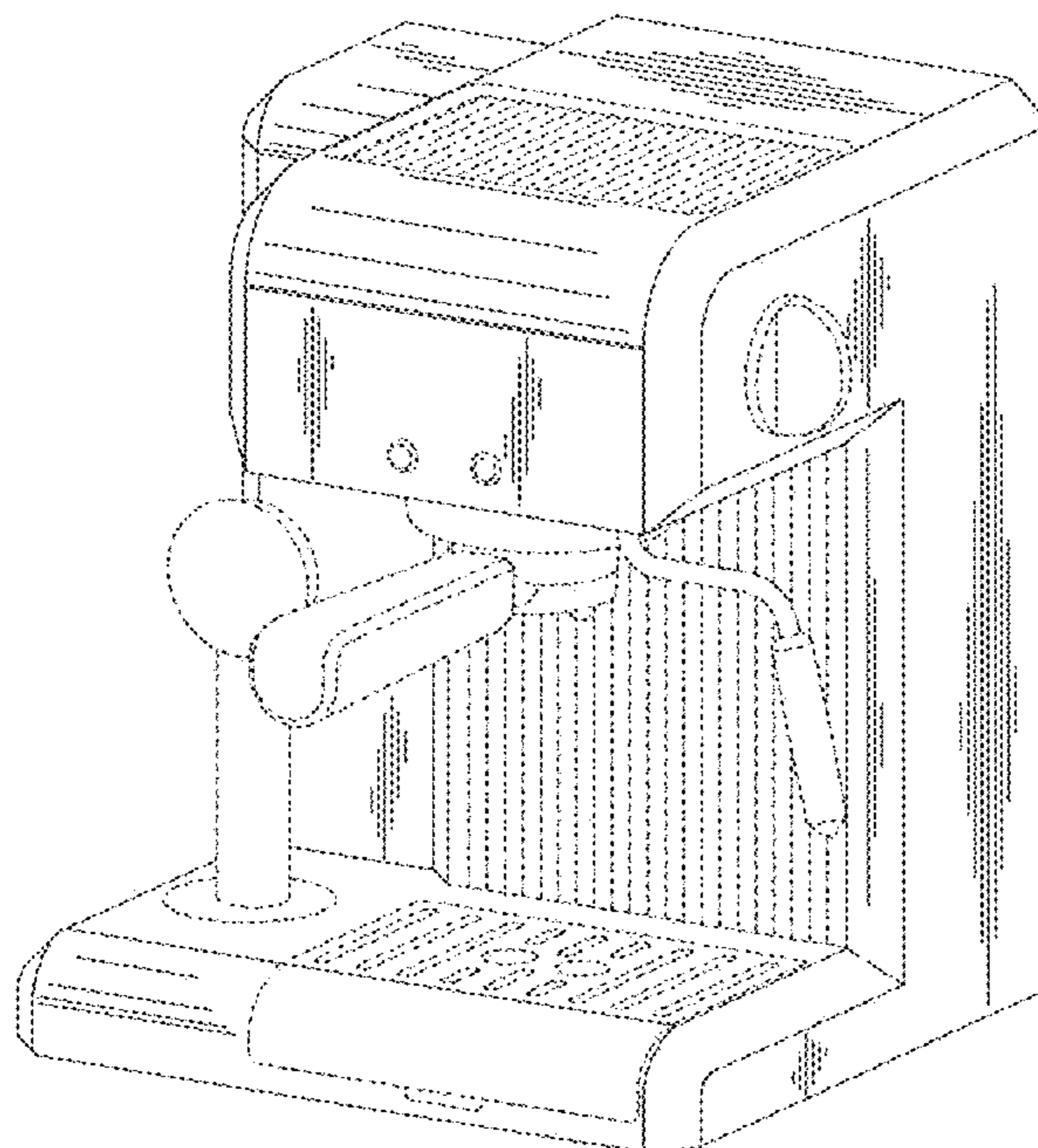
(57) **CLAIM**

The ornamental design for the hot beverage maker, as shown and described.

DESCRIPTION

FIG. 1 is a front perspective view of the hot beverage maker; FIG. 2 is a front view thereof; FIG. 3 is a rear view thereof; FIG. 4 is a top view thereof; FIG. 5 is a right side view thereof; and, FIG. 6 is a left side view thereof. The broken lines in the drawings depict portions of the hot beverage maker that form no part of the claimed design.

1 Claim, 6 Drawing Sheets



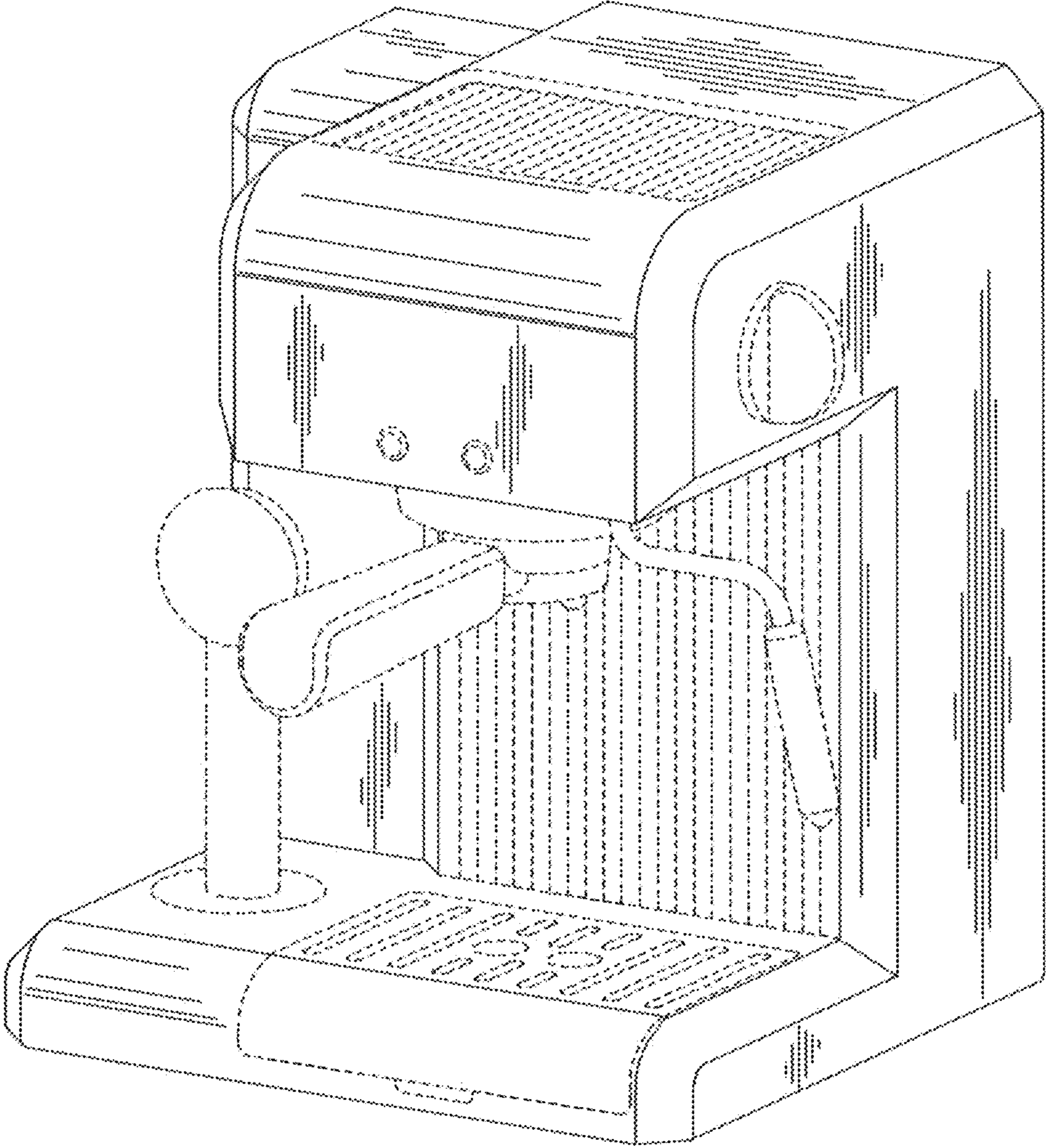


FIG 1

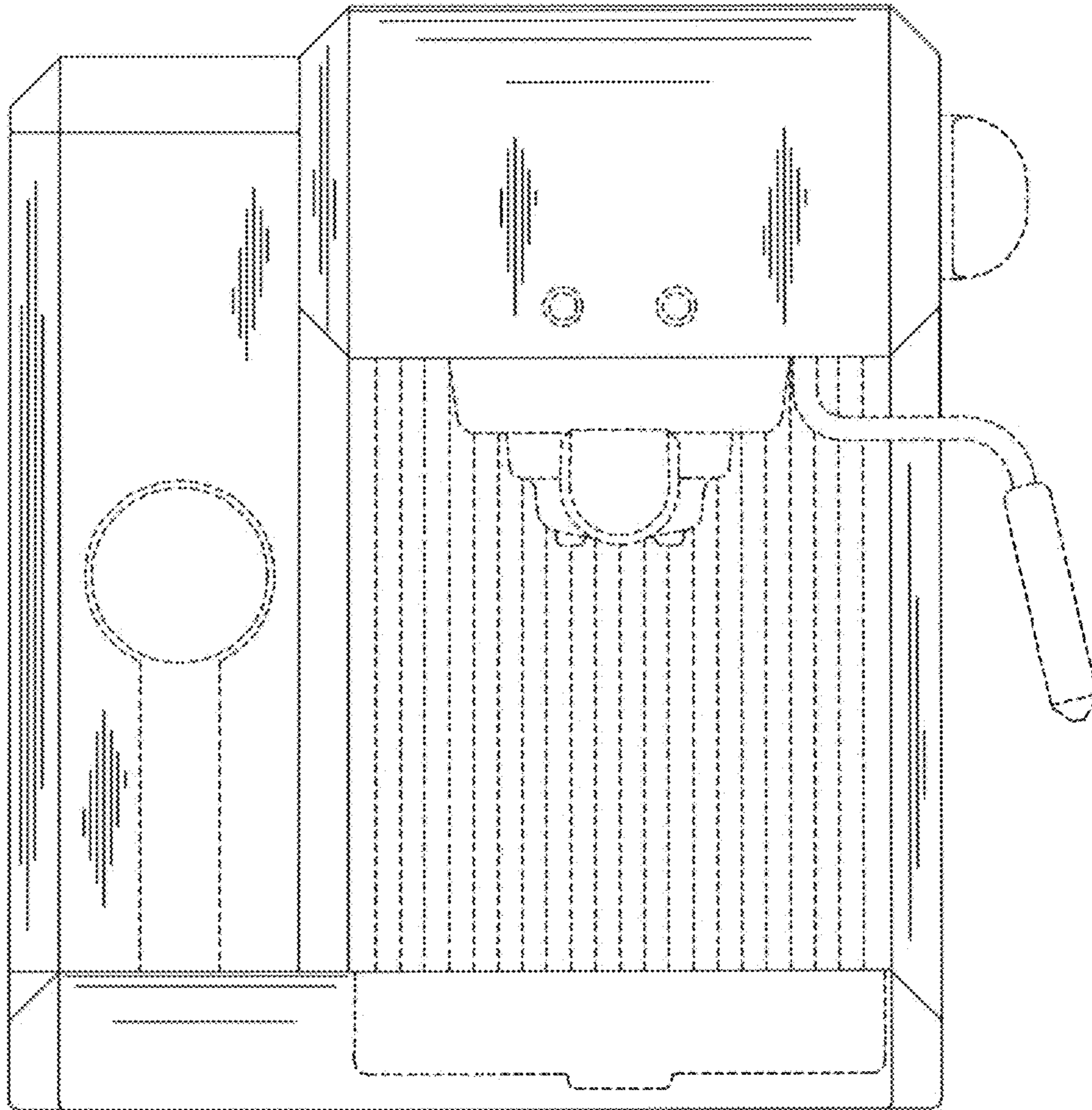


FIG 2

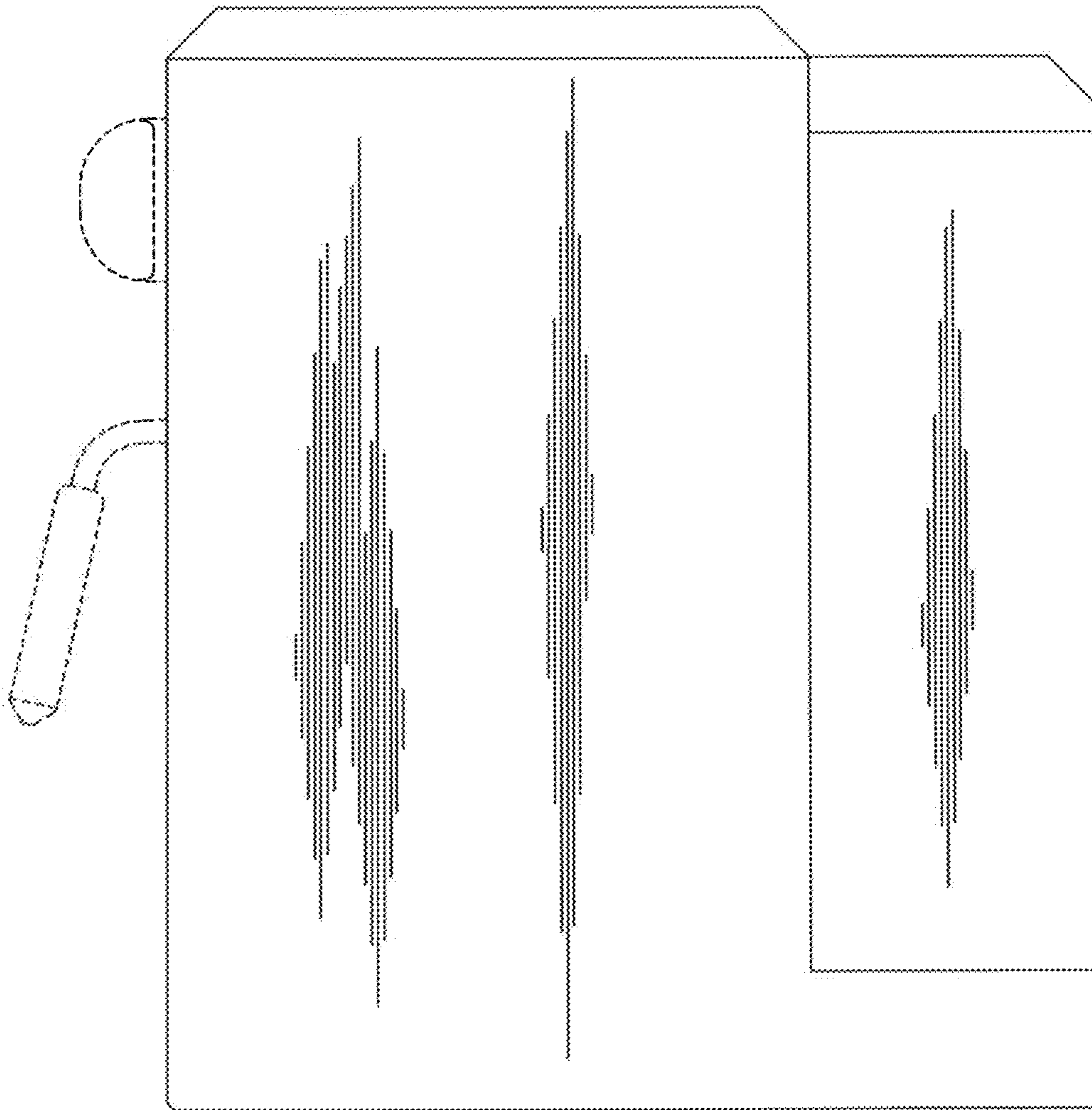


FIG 3

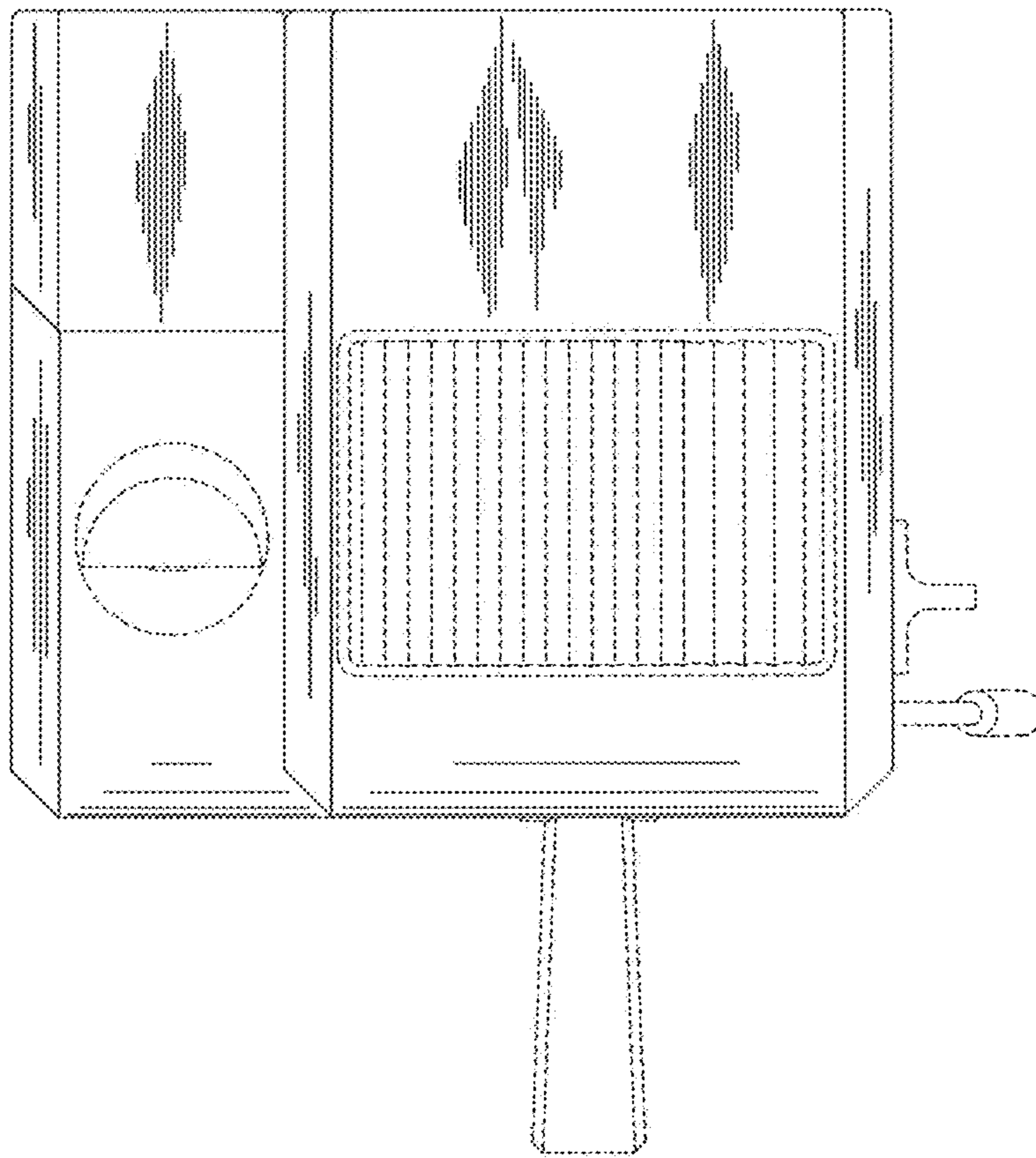


FIG 4

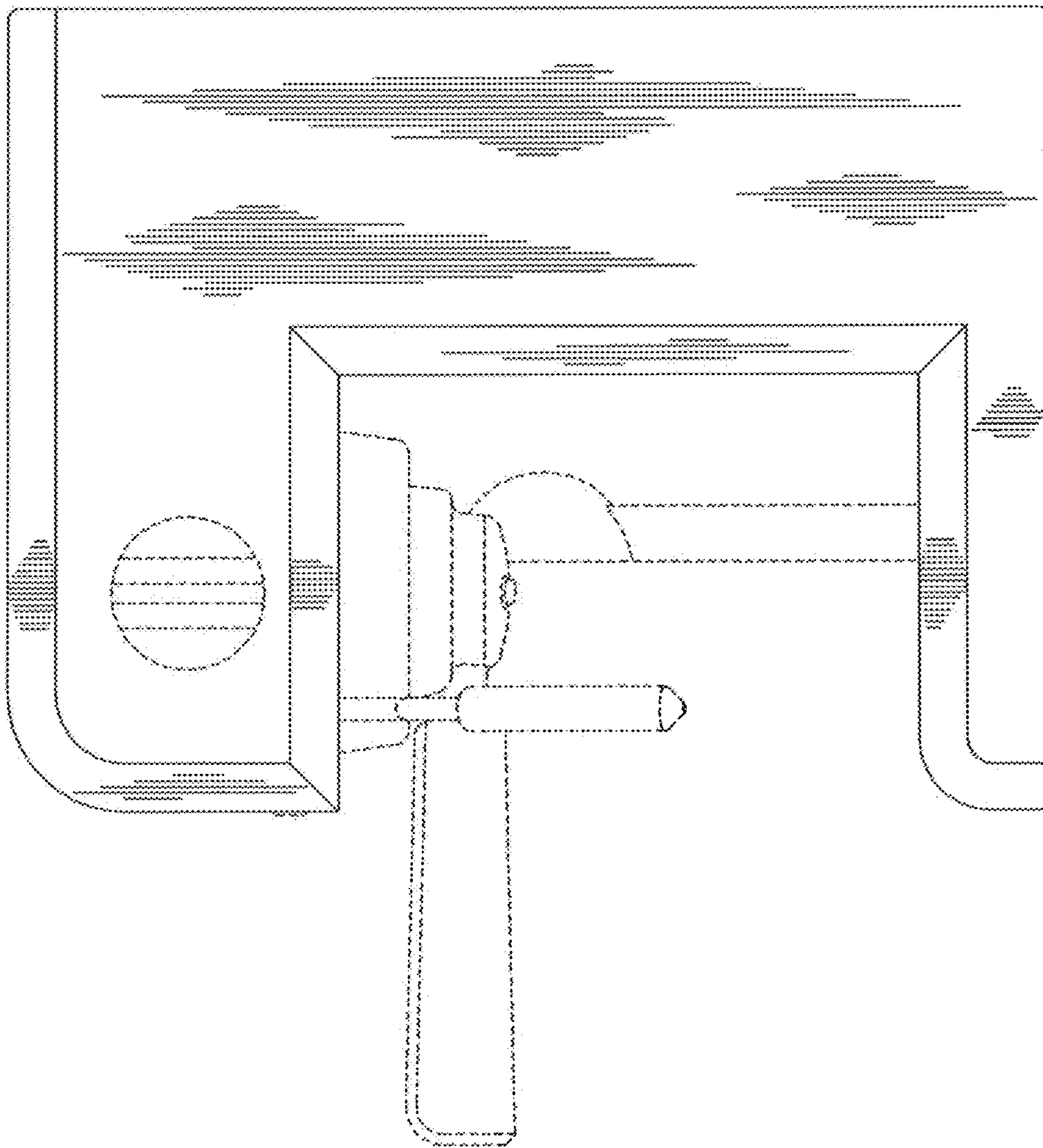


FIG 5

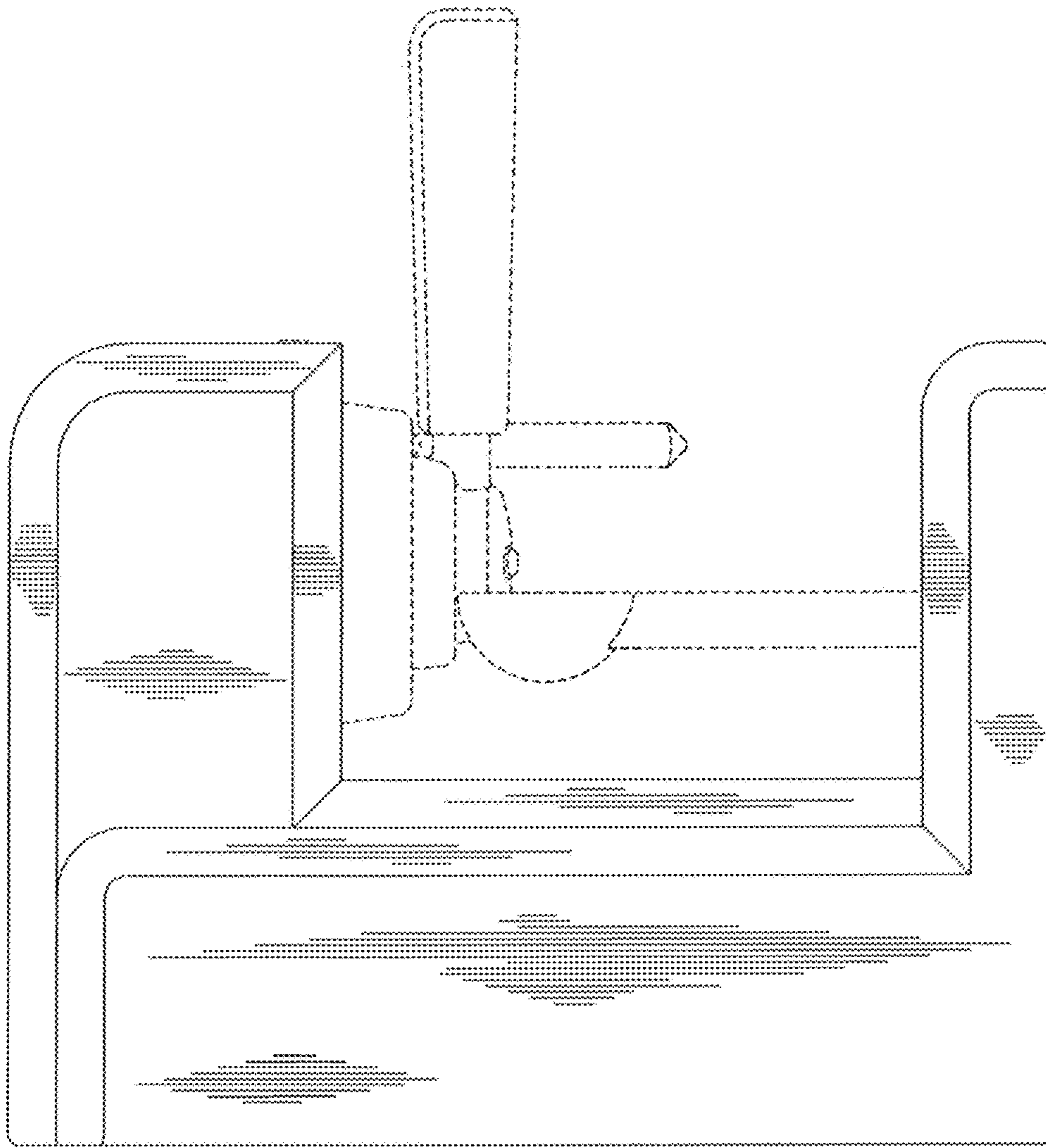


FIG 6