

US00D792730S

(12) **United States Design Patent** (10) **Patent No.:** **US D792,730 S**  
**Ench** (45) **Date of Patent:** **\*\* Jul. 25, 2017**

(54) **BEVERAGE DISPENSER**  
(71) Applicant: **Grindmaster Corporation**, Louisville, KY (US)  
(72) Inventor: **Robert Michael Ench**, Louisville, KY (US)  
(73) Assignee: **Grindmaster Corporation**, Louisville, KY (US)

(\*\*) Term: **15 Years**  
(21) Appl. No.: **29/564,302**

(22) Filed: **May 12, 2016**  
(51) **LOC (10) Cl.** ..... **07-01**  
(52) **U.S. Cl.**  
USPC ..... **D7/306**  
(58) **Field of Classification Search**  
USPC ..... D7/305-311, 313; D15/82; 222/129.1, 222/146.6; 99/295  
CPC ..... A47J 31/44; A47J 31/4403; A47J 31/46; A47J 31/4482; A47J 31/369; A47J 31/407; B67D 1/36; B67D 2210/0065; B67D 1/0864; B67D 3/0061  
See application file for complete search history.

(56) **References Cited**  
U.S. PATENT DOCUMENTS  
D550,499 S \* 9/2007 Argabrite ..... D7/309  
7,954,666 B2 6/2011 Webster et al.  
D649,392 S \* 11/2011 Cahen ..... D7/306  
D666,051 S \* 8/2012 de Pra ..... D7/309  
8,684,050 B2 \* 4/2014 Jimroglou ..... B67D 3/0061  
141/346

D721,531 S \* 1/2015 Krasne ..... D7/309  
D724,369 S \* 3/2015 Cahen ..... D7/309  
D728,986 S \* 5/2015 De'Longhi ..... D7/309  
D728,987 S \* 5/2015 Cahen ..... D7/309  
D730,674 S \* 6/2015 De'Longhi ..... D7/309  
D755,000 S \* 5/2016 Lovati ..... D7/306  
D760,009 S \* 6/2016 Moammer ..... D7/309  
D777,498 S \* 1/2017 Bandixen ..... D7/306  
2016/0304331 A1 \* 10/2016 Ench ..... B67D 3/0061

\* cited by examiner

*Primary Examiner* — Marianne Pandozzi  
(74) *Attorney, Agent, or Firm* — Stites & Harbison, PLLC; David W. Nagle, Jr.; James R. Hayne

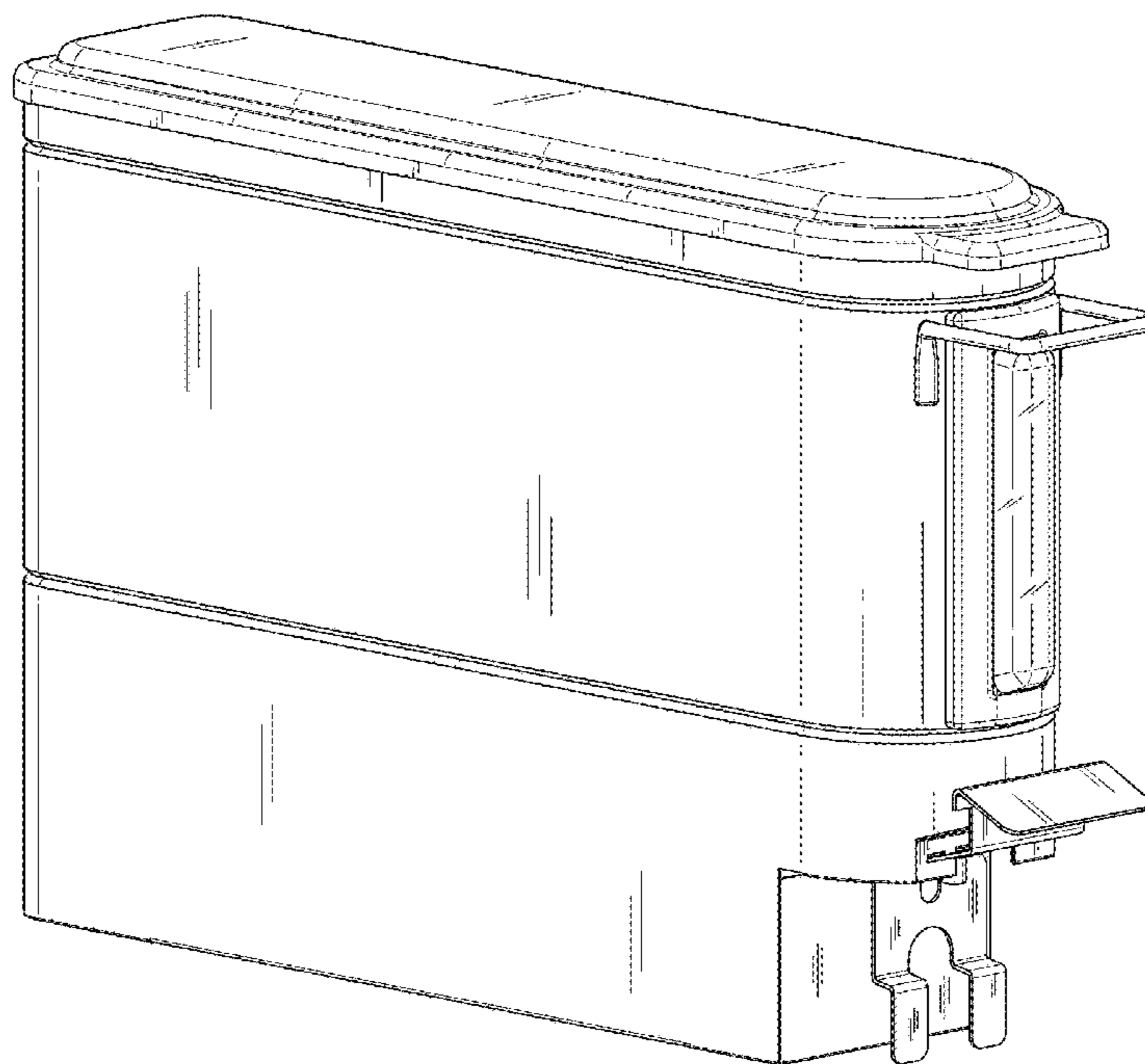
(57) **CLAIM**

The ornamental design for a beverage dispenser, as shown and described.

**DESCRIPTION**

FIG. 1 is a perspective view of a beverage dispenser incorporating the design of the present invention; FIG. 2 is a front view of the beverage dispenser of FIG. 1; FIG. 3 is a rear view of the beverage dispenser of FIG. 1; FIG. 4 is a left side view of the beverage dispenser of FIG. 1; FIG. 5 is a right side view of the beverage dispenser of FIG. 1; FIG. 6 is a top view of the beverage dispenser of FIG. 1; and, FIG. 7 is a bottom view of the beverage dispenser of FIG. 1. The broken lines in FIG. 7 depict portions of the beverage dispenser that form no part of the claimed design.

**1 Claim, 5 Drawing Sheets**



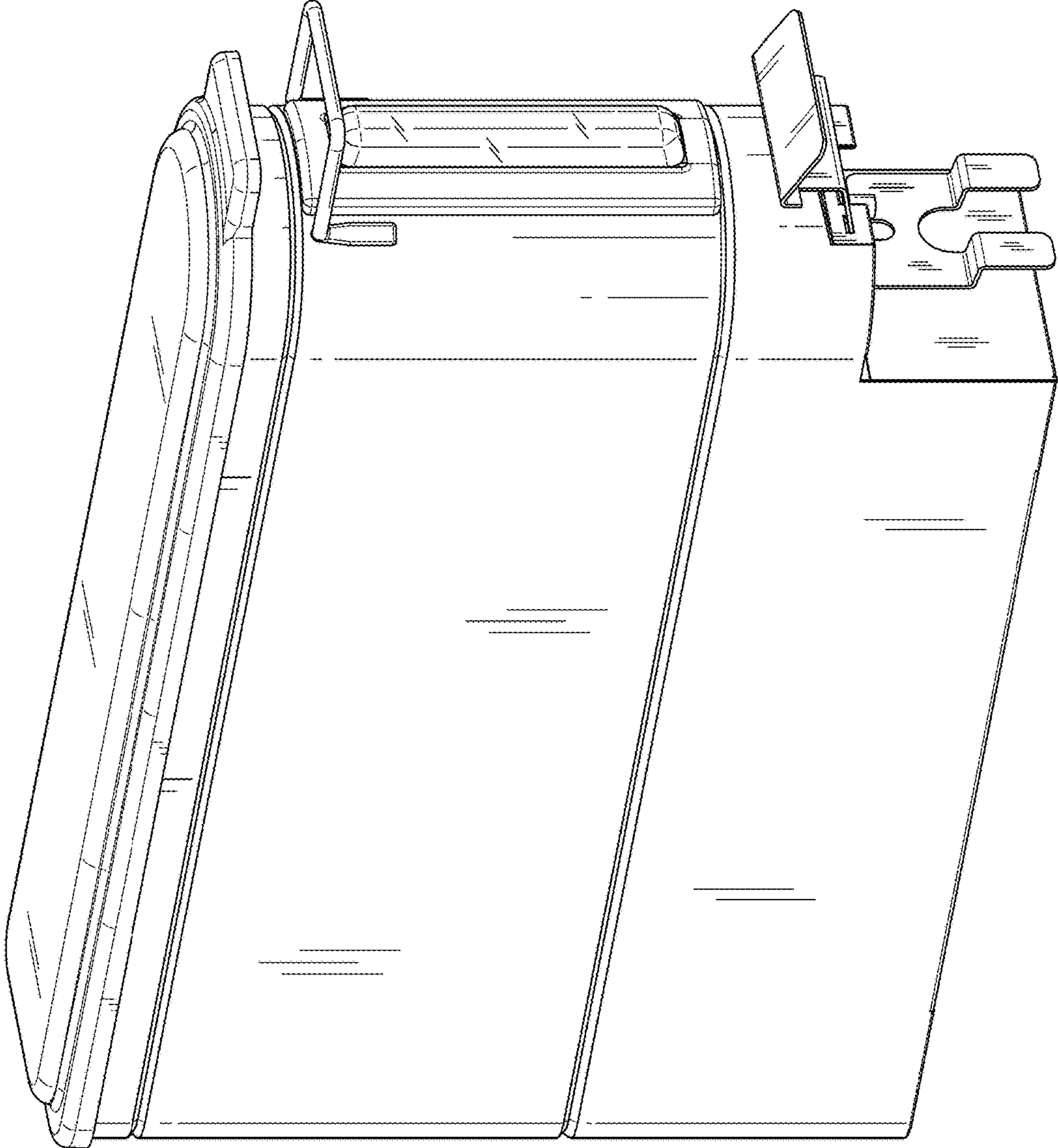


FIG. 1

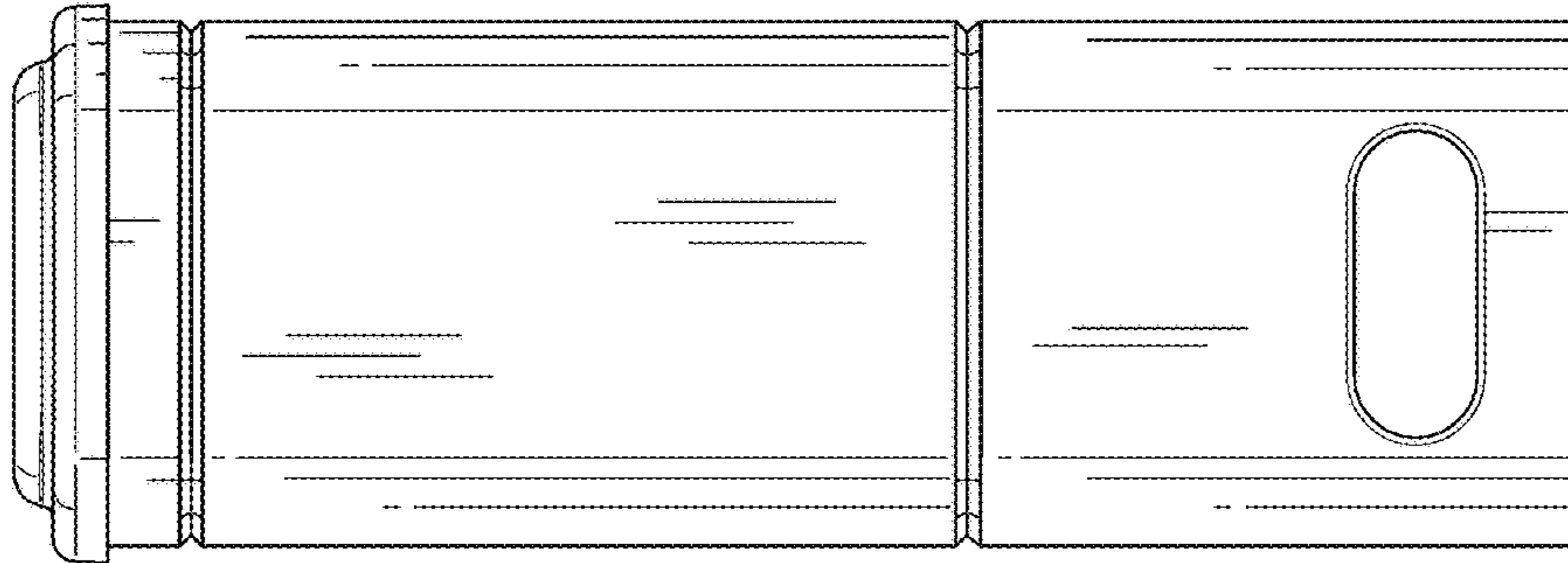


FIG. 3

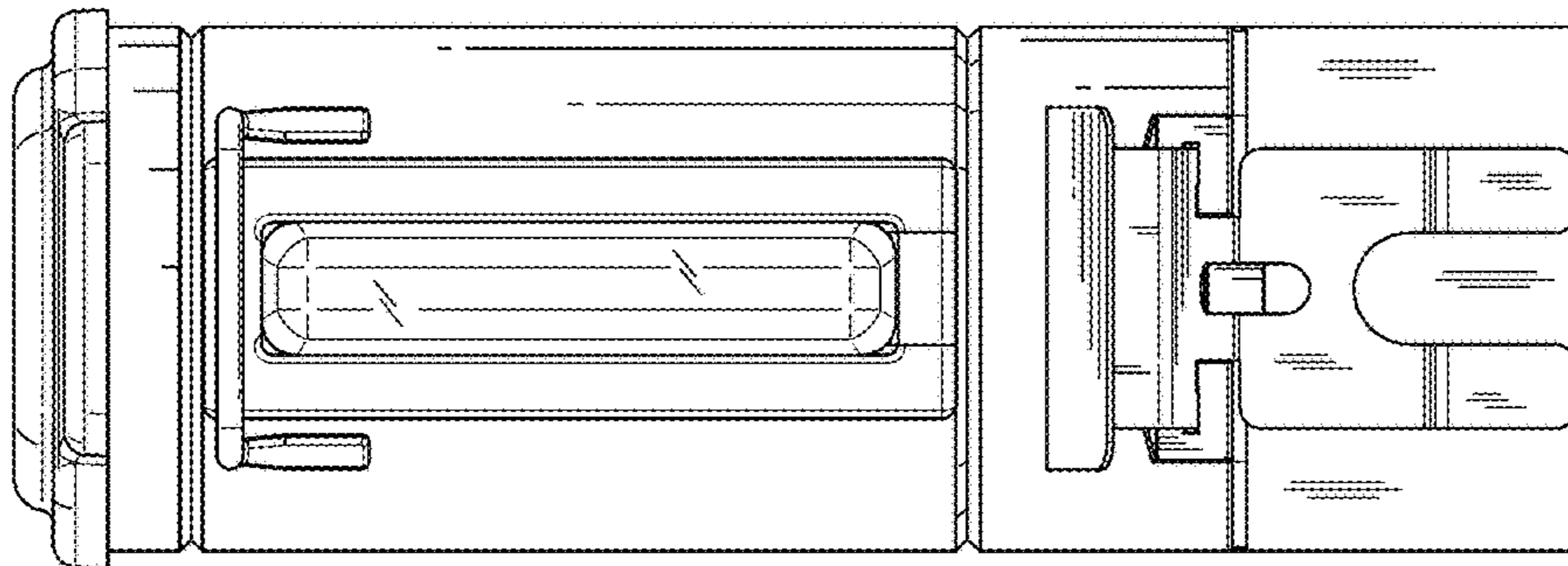


FIG. 2



FIG. 4



FIG. 5

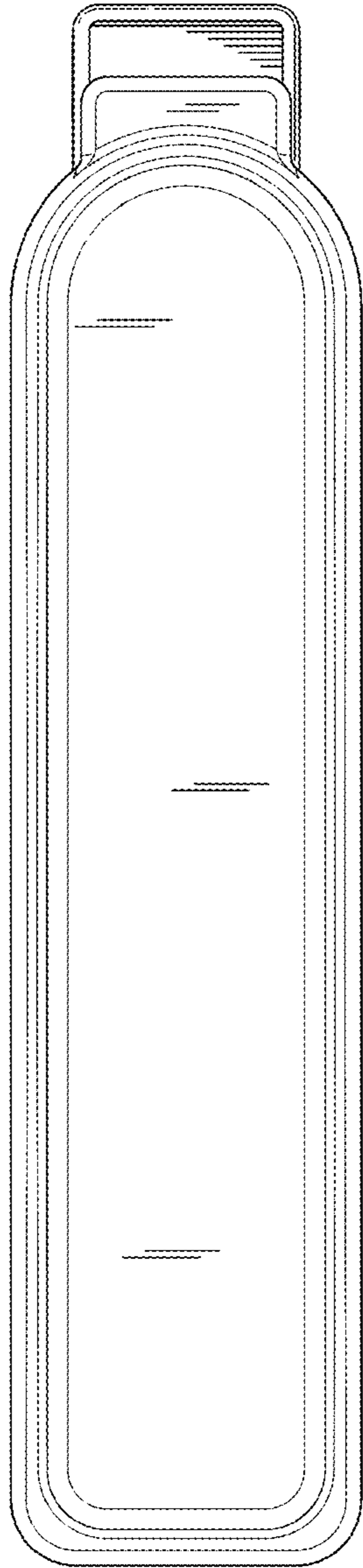


FIG. 6

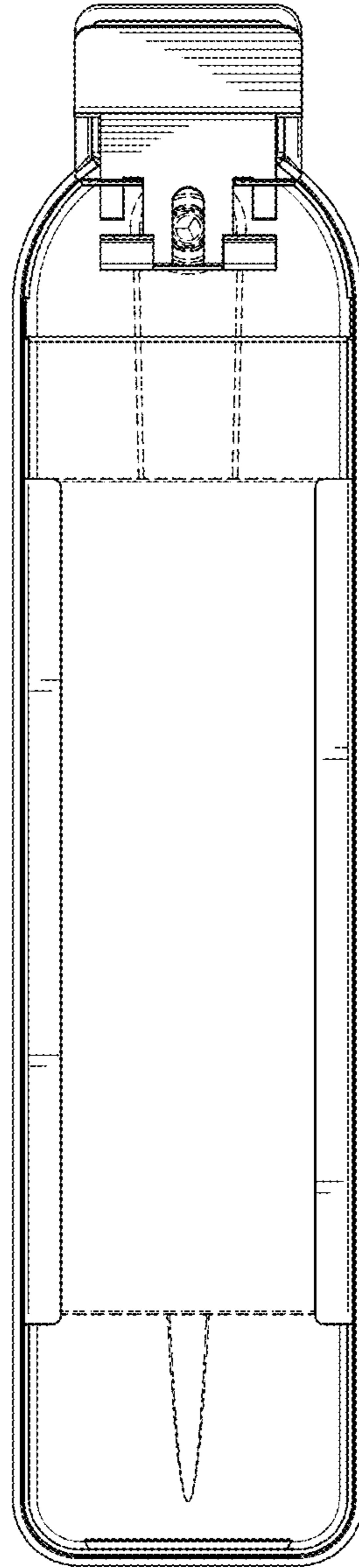


FIG. 7