

US00D792726S

(12) **United States Design Patent** (10) **Patent No.:** **US D792,726 S**  
**Patir** (45) **Date of Patent:** **\*\* Jul. 25, 2017**

(54) **SEATING FURNITURE**

(71) Applicant: **Seref Patir**, Munich (DE)

(72) Inventor: **Seref Patir**, Munich (DE)

(\*\*) Term: **15 Years**

(21) Appl. No.: **29/569,479**

(22) Filed: **Jun. 28, 2016**

(51) **LOC (10) Cl.** ..... **06-01**

(52) **U.S. Cl.**  
USPC ..... **D6/716; D6/364; D6/356**

(58) **Field of Classification Search**  
USPC ..... D6/334-336, 356, 364, 365, 366, 374,  
D6/379, 716, 716.1, 716.3, 716.4, 716.5  
CPC ..... A47C 3/18; A47C 4/028; A47C 7/004;  
A47C 7/022; A47C 7/18; A47C 7/24;  
B60N 2/46; B60N 2/48; B60N 2/4802  
See application file for complete search history.

(56) **References Cited**

**U.S. PATENT DOCUMENTS**

3,642,320	A *	2/1972	Ward	.....	A47C 3/18
					297/344.18
D315,255	S *	3/1991	Beermann	.....	D6/356
D336,791	S *	6/1993	Stidd	.....	D6/356
5,297,849	A *	3/1994	Chancellor	.....	A47C 7/004
					297/344.12
D349,820	S *	8/1994	Schaevitz	.....	D6/364
D361,674	S *	8/1995	Carter, Sr.	.....	D6/335

D372,132	S *	7/1996	Infanti	.....	D6/364
D542,547	S *	5/2007	Su	.....	D6/366
D612,163	S *	3/2010	Wagener	.....	D6/356
D617,104	S *	6/2010	Wagener	.....	D6/356
D651,003	S *	12/2011	Fleming	.....	D6/356
D651,819	S *	1/2012	Fleming	.....	D6/356
D773,197	S *	12/2016	Grimmel	.....	D6/356

\* cited by examiner

*Primary Examiner* — Mimoso De

(74) *Attorney, Agent, or Firm* — Baker & Hostetler LLP

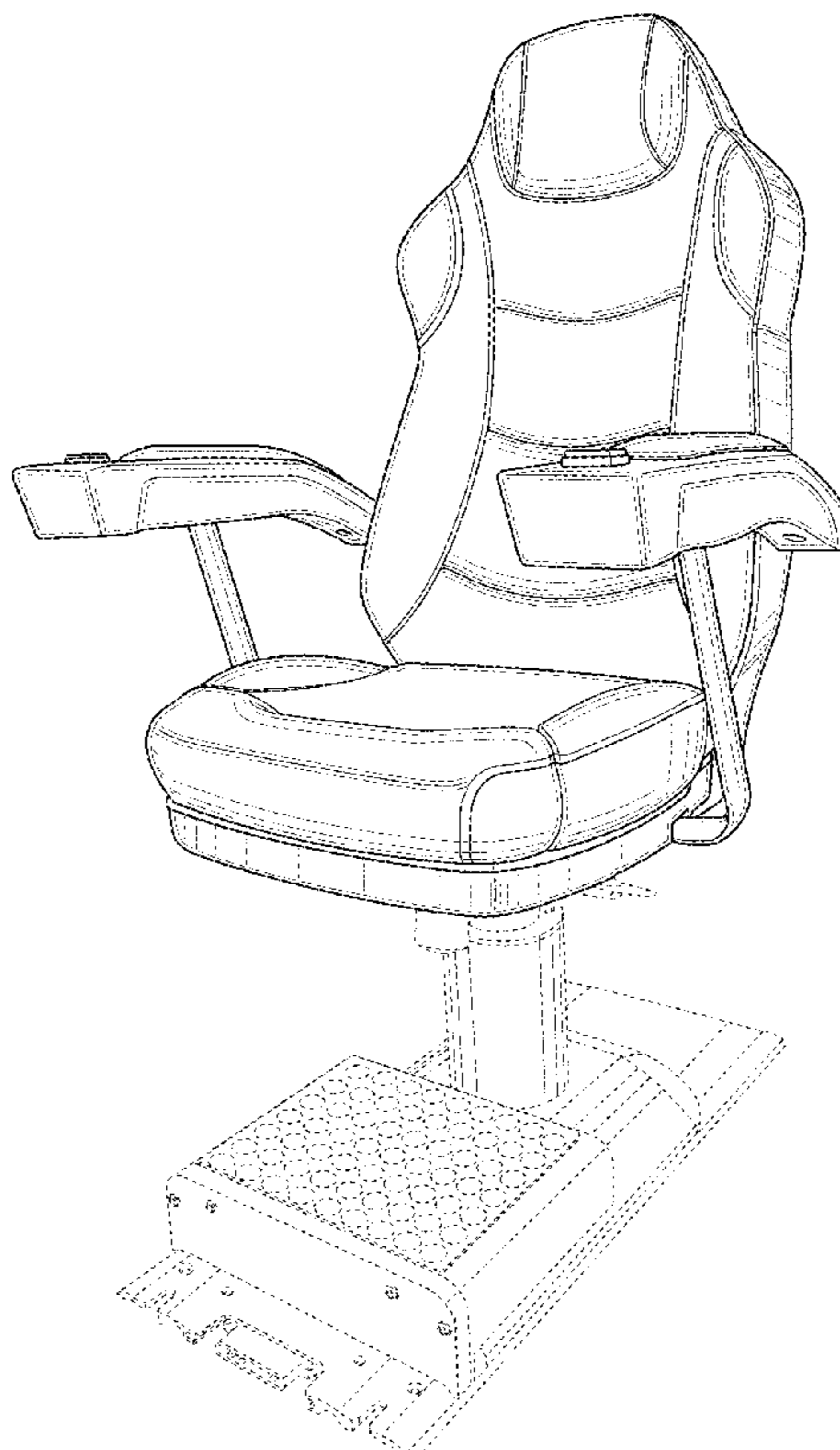
(57) **CLAIM**

The ornamental design for a seating furniture, as shown and described.

**DESCRIPTION**

FIG. 1 is a side perspective view of the seating furniture showing the new design;  
FIG. 2 is another side perspective view thereof;  
FIG. 3 is a rear perspective view thereof;  
FIG. 4 is a left side view thereof;  
FIG. 5 is a right side view thereof;  
FIG. 6 is a front view thereof; and,  
FIG. 7 is a rear view thereof.  
The broken lines included in the drawings are for illustrative purposes and form no part of the claimed design.

**1 Claim, 7 Drawing Sheets**



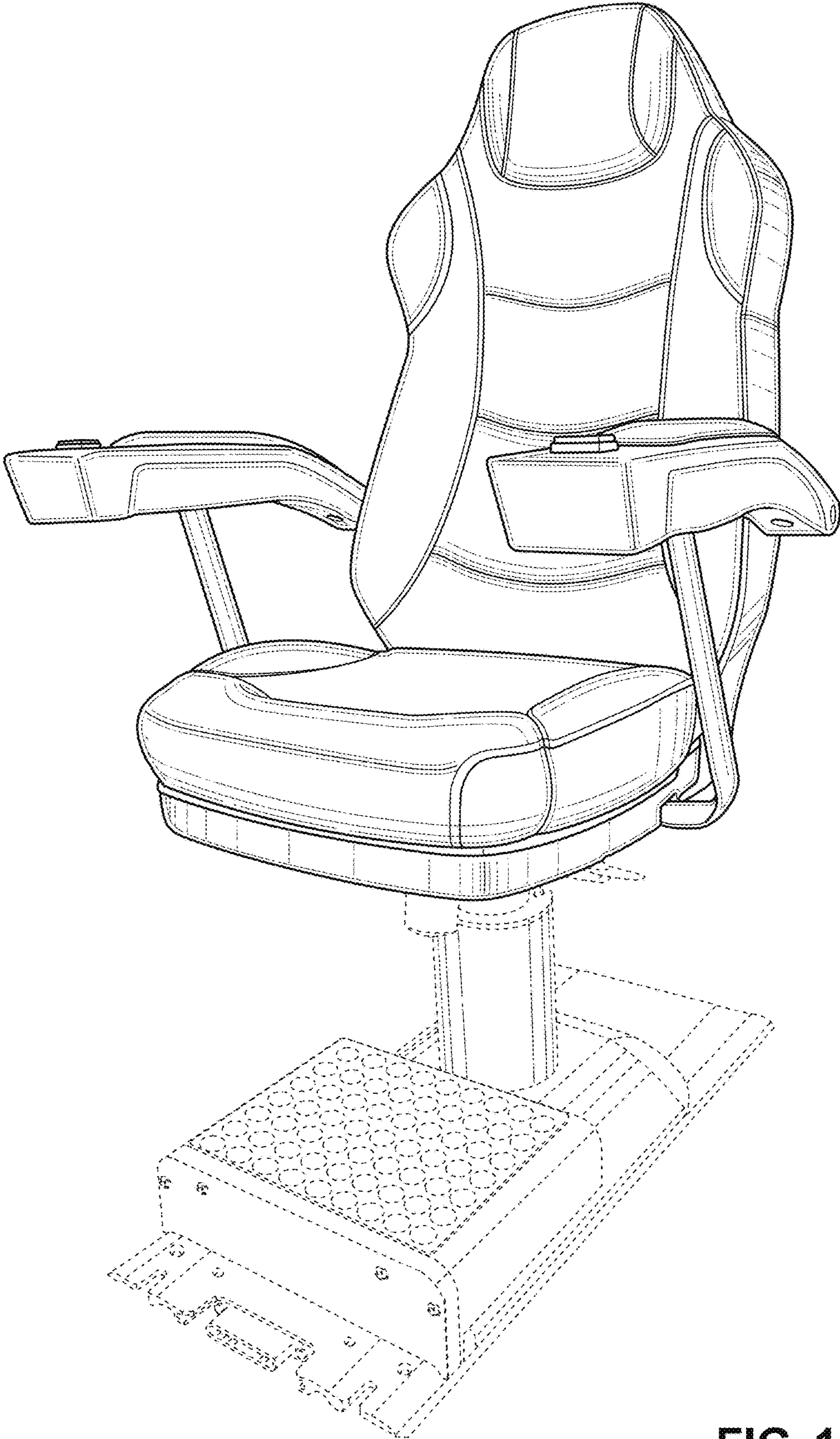


FIG. 1

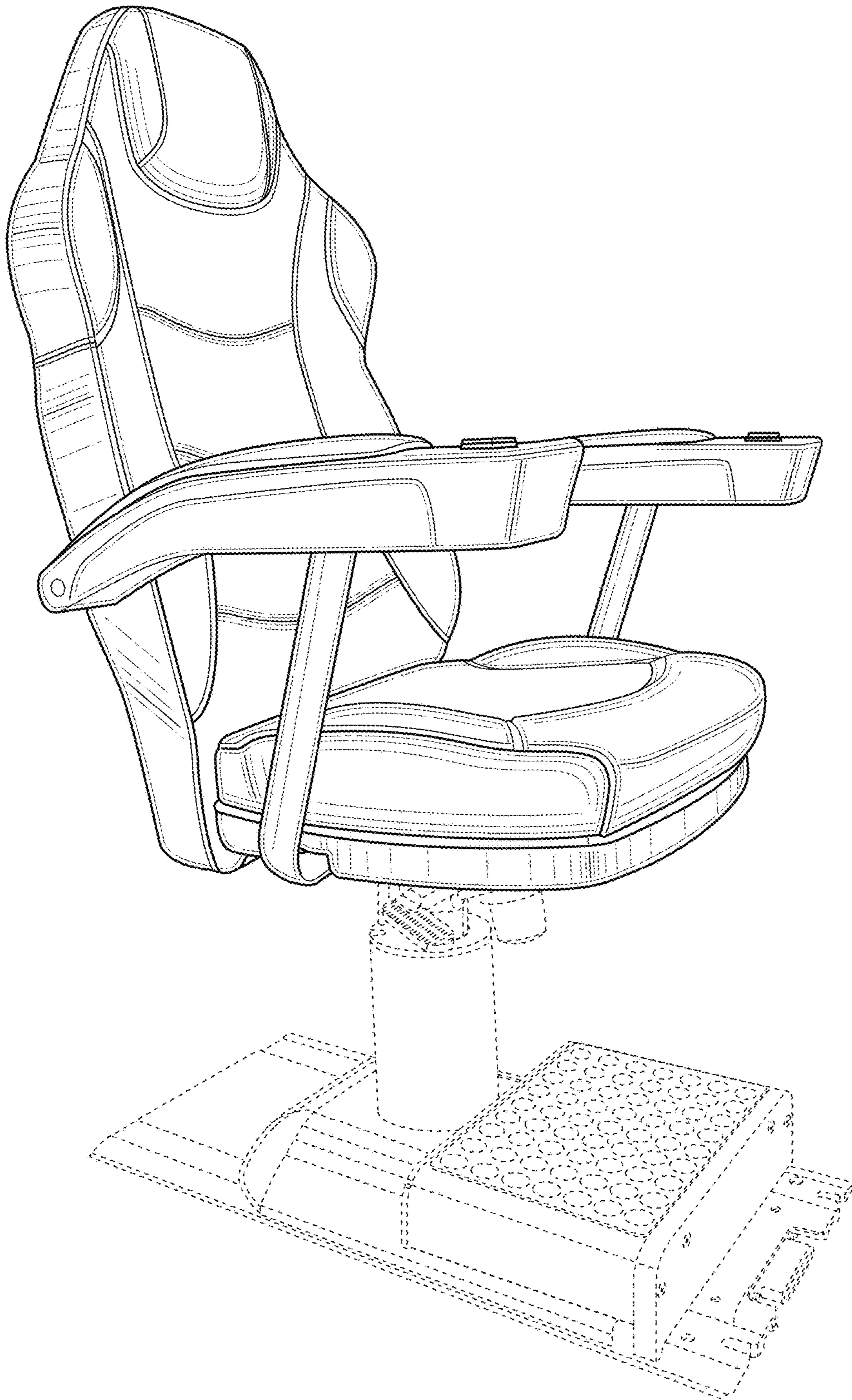


FIG. 2

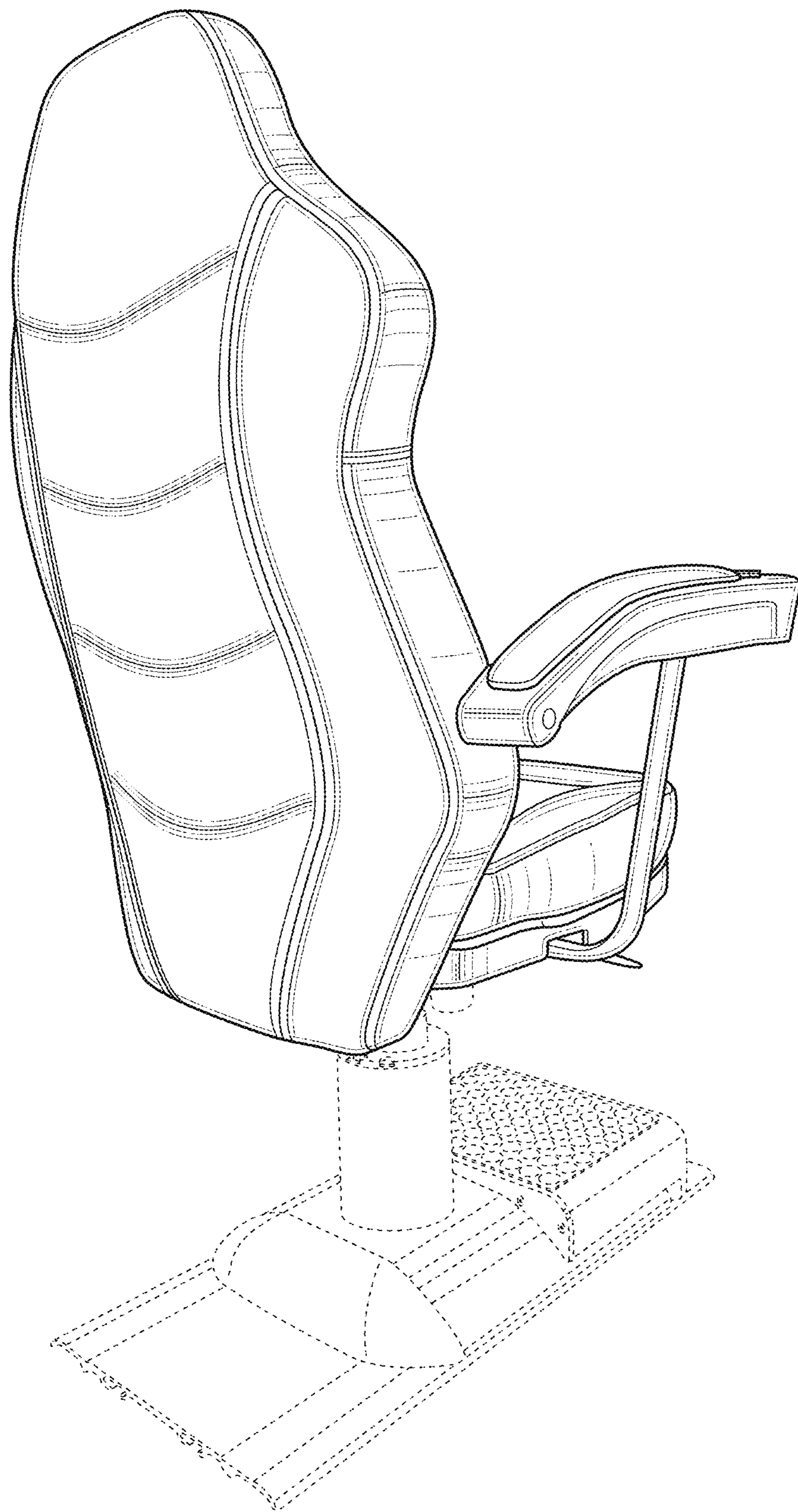


FIG. 3

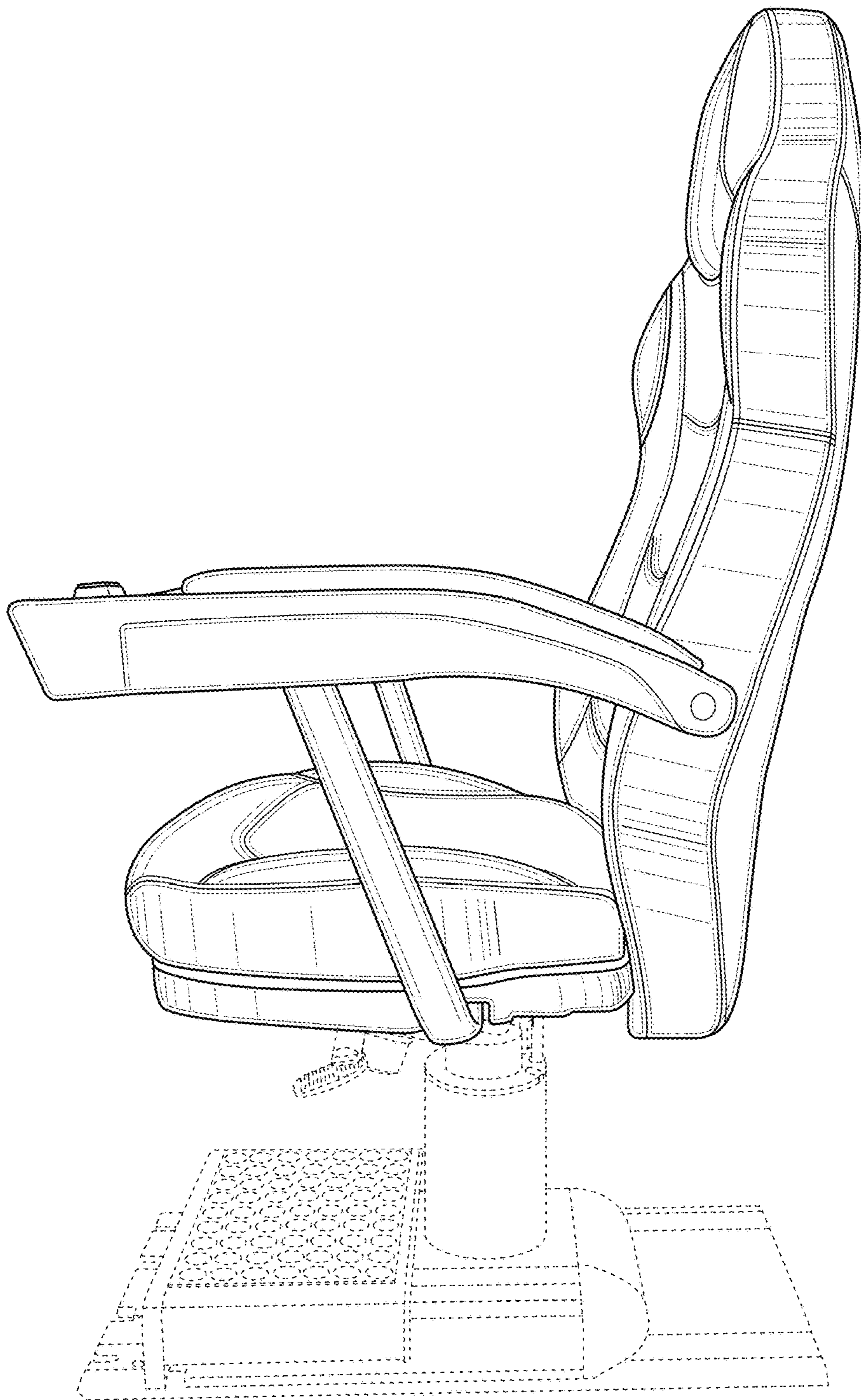


FIG. 4

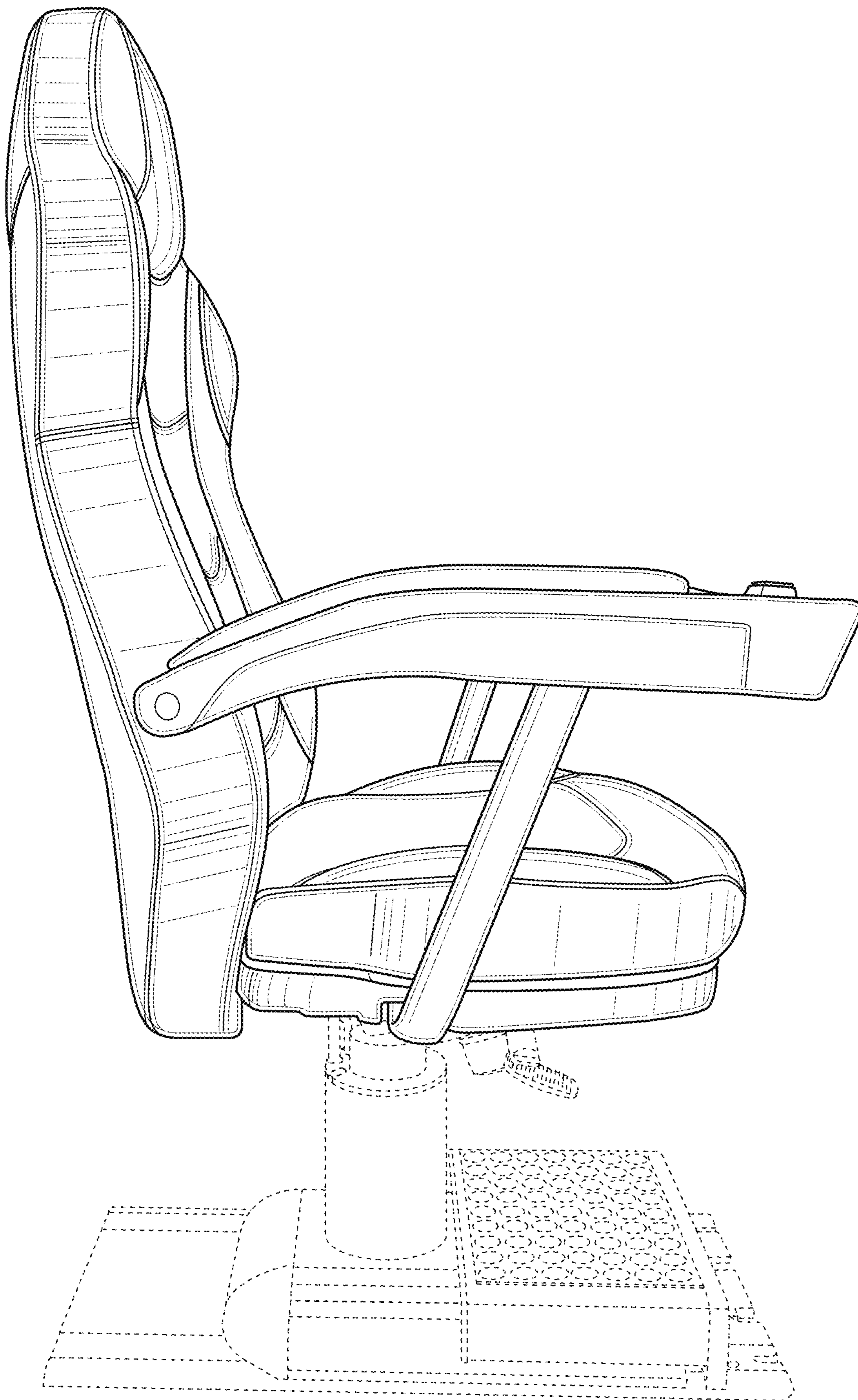


FIG. 5

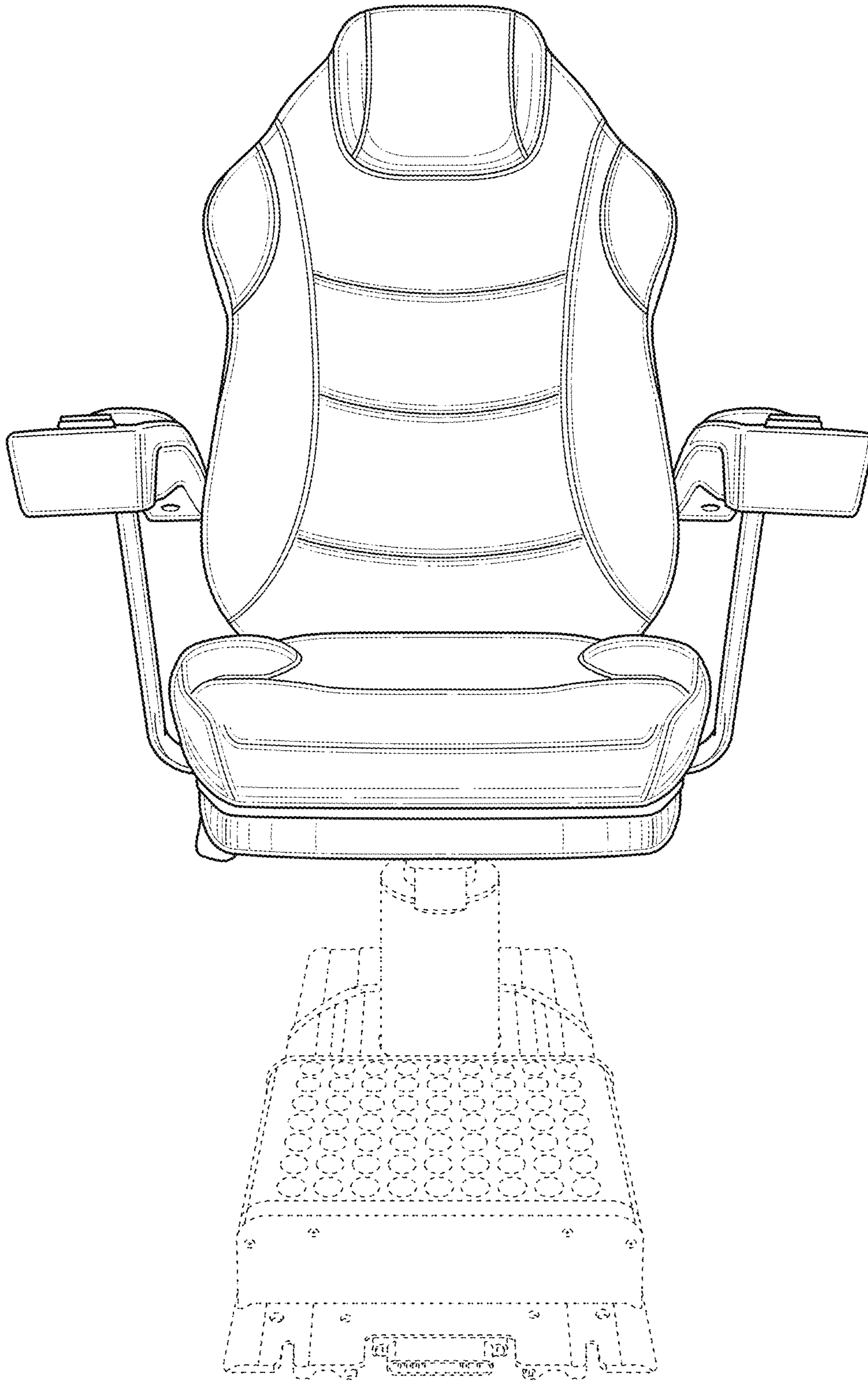
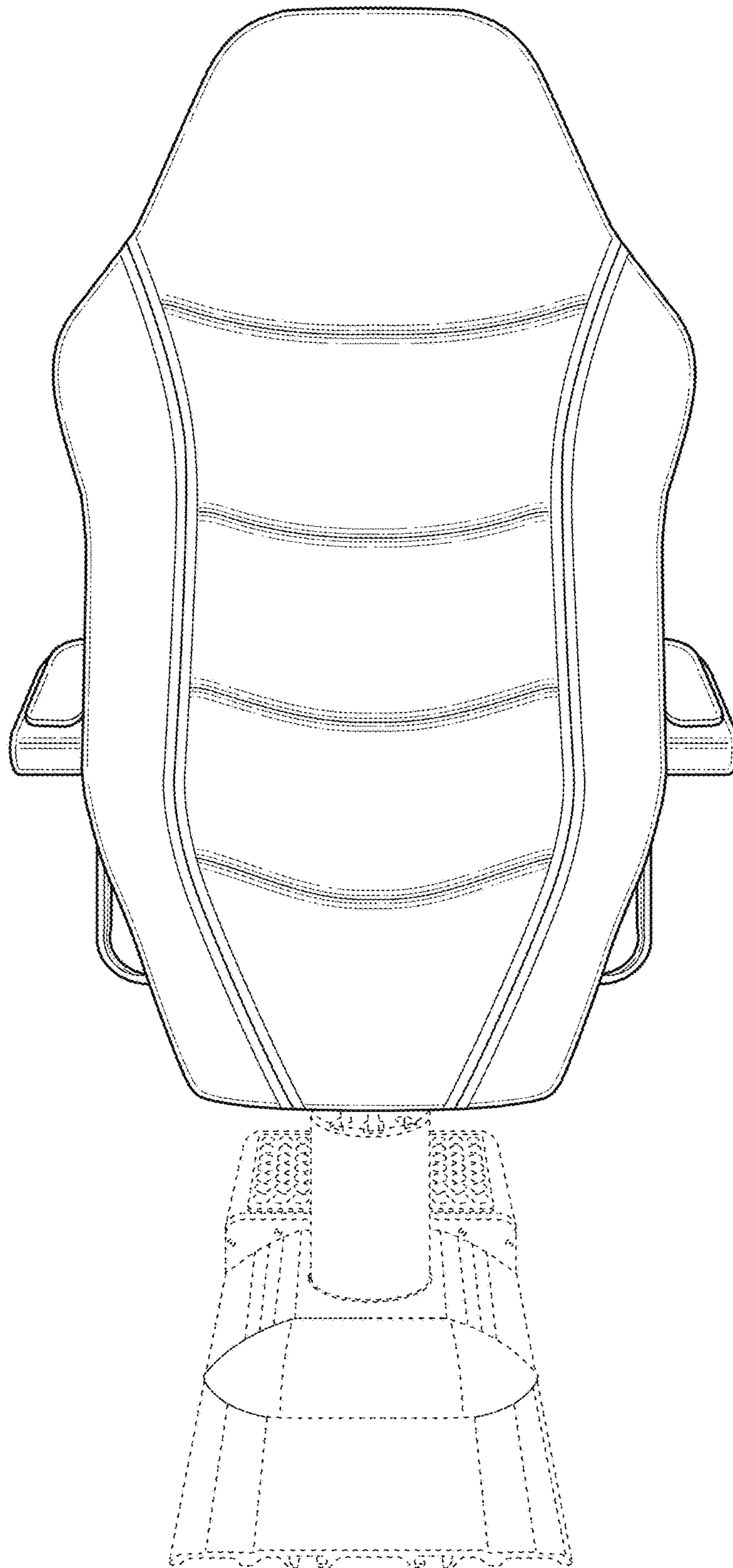


FIG. 6



**FIG. 7**